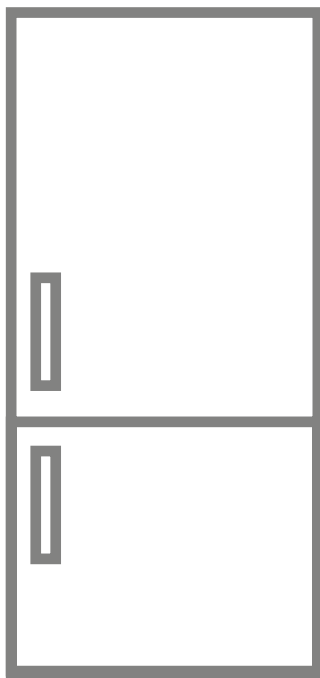


► RCB732E5MX

- EN **User Manual**  
Freezer - Fridge
- CZ **Návod k Obsluze**  
Chladnička - Mraznička
- SE **Instruktionsbok**  
Frys - Kyl
- FI **Käyttöohje**  
Jääkaappiakastin
- NO **Bruksanvisning**  
Fryser - Kjøleskap

# USER MANUAL



**AEG**



EN

FIRE

**Warning;** Risk of fire / flammable materials

# INDEX

<b>BEFORE USING THE APPLIANCE .....</b>	<b>6</b>
General warnings .....	6
Old and out-of-order fridges or freezer .....	10
Safety warnings .....	10
Installing and operating your fridge freezer .....	11
Before Using your Fridge .....	12
Dimensions .....	13
<b>THE VARIOUS FUNCTION AND POSSIBILITIES .....</b>	<b>14</b>
Information about New Generation Cooling Technology .....	14
Display and Control Panel .....	15
Operating Your Fridge Freezer .....	15
Super Freeze Mode .....	15
Super Cool Mode .....	16
Economy Mode .....	16
Holiday Mode .....	17
Drink Cool Mode .....	17
Screen Saver Mode .....	18
The Child Lock Function .....	18
Door Open Alarm Function .....	18
Temperature Settings .....	19
Freezer Temperature Settings .....	19
Cooler Temperature Settings .....	19
Temperature Adjustment Warnings .....	20
Accessories .....	21
Ice Tray .....	21
The Freezer Box .....	21
Extra Chill Compartment .....	21
The Fresh Dial .....	22
CustomFlex .....	22
<b>ARRANGING FOOD IN THE APPLIANCE .....</b>	<b>23</b>
Refrigerator compartment .....	23
Freezer compartment .....	24
<b>CLEANING AND MAINTENANCE .....</b>	<b>27</b>
Defrosting .....	28

<b>TRANSPORTATION AND CHANGING OF INSTALLATION POSITION .....</b>	<b>28</b>
Repositioning the Door.....	28
<b>BEFORE CALLING YOUR AFTER SALES SERVICE .....</b>	<b>29</b>
Hints for Energy Saving.....	32
<b>THE PARTS OF THE APPLIANCE AND THE COMPARTMENTS ...</b>	<b>33</b>
<b>TECHNICAL DATA.....</b>	<b>34</b>
<b>INFORMATION FOR TEST INSTITUTES .....</b>	<b>34</b>

## FOR PERFECT RESULTS

Thank you for choosing this AEG product. We have created it to give you impeccable performance for many years, with innovative technologies that help make life simpler – features you might not find on ordinary appliances. Please spend a few minutes reading to get the very best from it.

Visit our website to:



Get usage advice, brochures, trouble shooter, service and repair information:

**[www.aeg.com/support](http://www.aeg.com/support)**



Register your product for better service:

**[www.registeraeg.com](http://www.registeraeg.com)**



Buy Accessories, Consumables and Original spare parts for your appliance:

**[www.aeg.com/shop](http://www.aeg.com/shop)**

## CUSTOMER CARE AND SERVICE

Always use original spare parts.

When contacting our Authorised Service Centre, ensure that you have the following data available: Model, PNC, Serial Number.

The information can be found on the rating plate.

 Warning / Caution-Safety information

 General information and tips

 Environmental information

Subject to change without notice.

## **PART - 1. BEFORE USING THE APPLIANCE**

### **General warnings**

Please read the instruction manual carefully before installing and using your appliance. We are not responsible for the damage occurred due to misuse.

Follow all instructions on your appliance and instruction manual, and keep this manual in a safe place to resolve the problems that may occur in the future.

This appliance is not intended to be used as a built-in appliance. In case of different installation from freestanding respecting space required in use dimensions, the appliance will function correctly but energy consumption might increase slightly.

**⚠ WARNING:** Keep ventilation openings, in the appliance enclosure or in the built-in structure, clear of obstruction.

**⚠ WARNING:** Do not use mechanical devices or other means to accelerate the defrosting process, other than those recommended by the manufacturer.


**⚠ WARNING:** Do not use electrical appliances inside the food storage compartments of the appliance, unless they are of the type recommended by the manufacturer.

**⚠ WARNING:** Do not damage the refrigerant circuit.

**⚠ WARNING:** When positioning the appliance, ensure the supply cord is not trapped or damaged.

**⚠ WARNING:** Do not locate multiple portable socket-outlets or portable power supplies at the rear of the appliance.

**⚠ WARNING:** In order to avoid any hazards resulting from the instability of the appliance, it must be fixed in accordance with the following instructions:

 If your appliance uses R600a as a refrigerant (this information will be provided on the label of the cooler) you should take care during transportation and installation to prevent the cooler elements from being damaged. R600a is an environmentally friendly and natural gas, but it is explosive. In the event of a leak due to damage of the cooler elements, move your fridge away from open flames or heat sources and ventilate the room where the appliance is located for a few minutes.

- Keep all packaging away from children and dispose of it appropriately.
- While carrying and positioning the fridge, do not damage the cooler gas circuit.
- Do not store explosive substances such as aerosol cans with a flammable propellant in this appliance.
- This appliance is intended to be used in household and domestic applications such as:
  - staff kitchen areas in shops, offices and other working environments.
  - farm houses and by clients in hotels, motels and other residential type environments.
  - bed and breakfast type environments;
  - catering and similar non-retail applications.
- If the socket does not match the refrigerator plug, it must be replaced by the manufacturer, a service agent or similarly qualified persons in order to avoid a hazard.
- A specially grounded plug has been connected to the power cable of your refrigerator. This plug should be used with a specially grounded socket of 16 amperes or 10 amperes according to country where the product will be sold. If there is no such socket in your house, please have it installed by an authorized electrician.

- This appliance can be used by children aged from 8 years and above and persons with reduced physical, sensory or mental capabilities or lack of experience and knowledge if they have been given supervision or instruction concerning use of the appliance in a safe way and understand the hazards involved. Children shall not play with the appliance. Cleaning and user maintenance shall not be made by children without supervision.
- Children aged from 3 to 8 years are allowed to load and unload refrigerating appliances. Children are not expected to perform cleaning or user maintenance of the appliance, very young children (0-3 years old) are not expected to use appliances, young children (3-8 years old) are not expected to use appliances safely unless continuous supervision is given, older children (8-14 years old) and vulnerable people can use appliances safely after they have been given appropriate supervision or instruction concerning use of the appliance. Very vulnerable people are not expected to use appliances safely unless continuous supervision is given.
- If the supply cord is damaged, it must be replaced by the manufacturer, an authorised service agent or similar qualified persons, in order to avoid a hazard.
- This appliance is not intended for use at altitudes exceeding 2000 m.

**To avoid contamination of food, please respect the following instructions:**

- Opening the door for long periods can cause a significant increase of the temperature in the compartments of the appliance.
- Clean regularly surfaces that can come in contact with food and accessible drainage systems



- Store raw meat and fish in suitable containers in the refrigerator, so that it is not in contact with or drip onto other food.
- Two-star frozen-food compartments are suitable for storing pre-frozen food, storing or making ice cream and making ice cubes.
- One-, two- and three-star compartments are not suitable for the freezing of fresh food.
- If the refrigerating appliance is left empty for long periods, switch off, defrost, clean, dry, and leave the door open to prevent mould developing within the appliance.

## **Service**

- To repair the appliance contact the Authorised Service Centre. Use original spare parts only.
- Please note that self-repair or nonprofessional repair can have safety consequences and might void the guarantee.
- The following spare parts will be available for 7 years after the model has been discontinued: thermostats, temperature sensors, printed circuit boards, light sources, door handles, door hinges, trays and baskets.
- Please note that some of these spare parts are only available to professional repairers, and that not all spare parts are relevant for all models.
- Door gaskets will be available for 10 years after the model has been discontinued.

## Old and out-of-order fridges or freezer

- If your old fridge or freezer has a lock, break or remove the lock before discarding it, because children may get trapped inside it and may cause an accident.
- Old fridges and freezers contain isolation material and refrigerant with CFC. Therefore, take care not to harm environment when you are discarding your old fridges.

### Disposal of your old appliance



The symbol on the product or on its packaging indicates that this product may not be treated as household waste. Instead it shall be handed over to the applicable collection point for the recycling of electrical and electronic equipment. By ensuring this product is disposed of correctly, you will help prevent potential negative consequences for the environment and human health, which could otherwise be caused by inappropriate waste handling of this product. For more detailed information about recycling of this product, please contact your local city office, your household waste disposal service or the shop where you purchased the product.

### Notes:

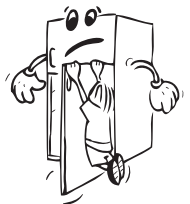
- This appliance is produced to be used in homes and it can only be used in domestic environments and for the specified purposes. It is not suitable for commercial or common use. Such use will cause the guarantee of the appliance to be cancelled and our company will not be responsible for the losses to be occurred.
- This appliance is produced to be used in houses and it is only suitable for cooling / storing foods. It is not suitable for commercial or common use and/or for storing substances except for food. Our company is not responsible for the losses to be occurred in the contrary case.

### Safety warnings

- Do not connect your fridge freezer to the mains electricity supply using an extension lead.
- Do not use damaged, torn or old plugs.
- Do not pull, bend or damage the cord.



- Do not use plug adapter.
- This appliance is designed for use by adults. Do not allow children to play with the appliance or hang off the door.
- Never touch the power cord/plug with wet hands. This may cause a short circuit or electric shock.
- Do not place glass bottles or cans in the ice-making compartment as they will burst when the contents freeze.
- Do not place explosive or flammable material in your fridge. Place drinks with high alcohol content vertically in the fridge compartment and make sure their tops are tightly closed.



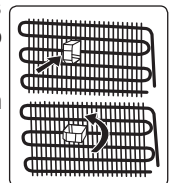
- When removing ice from the ice-making compartment, do not touch it. Ice may cause frost burns and/or cuts.
- Do not touch frozen goods with wet hands. Do not eat ice-cream or ice cubes immediately after they are removed from the ice-making compartment.
- Do not re-freeze thawed frozen food. This may cause health issues such as food poisoning.



## Installing and operating your fridge freezer

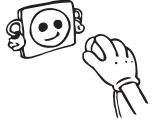
Before using your fridge freezer for the first time, please pay attention to the following points:

- The operating voltage for your fridge freezer is 220-240 V at 50Hz.
- The plug must be accessible after installation.
- Your fridge freezer may have an odour when it is operated for the first time. This is normal and the odour will fade when your fridge freezer starts to cool.
- Before connecting your fridge freezer, ensure that the information on the data plate (voltage and connected load) matches that of the mains electricity supply. If in doubt, consult a qualified electrician.
- Insert the plug into a socket with an efficient ground connection. If the socket has no ground contact or the plug does not match, we recommend you consult a qualified electrician for assistance.
- The appliance must be connected with a properly installed fused socket. The power supply (AC) and voltage at the operating point must match with the details on the name plate of the appliance (the name plate is located on the inside left of the appliance).
- We do not accept responsibility for any damages that occur due to ungrounded usage.
- Place your fridge freezer where it will not be exposed to direct sunlight.
- Your fridge freezer must never be used outdoors or exposed to rain.
- Your appliance must be at least 50 cm away from stoves, gas ovens and heater cores, and at least 5 cm away from electrical ovens.
- Do not cover the body or top of fridge freezer with lace. This will affect the performance of your fridge freezer.
- Clearance of at least 150 mm is required at the top of your appliance. Do not place anything on top of your appliance.
- Do not place heavy items on the appliance.
- Use the adjustable front legs to make sure your appliance is level and stable. You can adjust the legs by turning them in either direction. This must be done before placing food in the appliance.
- Clean the appliance thoroughly before use (see Cleaning and Maintenance).
- Before using your fridge freezer, wipe all parts with a solution of warm water and a teaspoon of sodium bicarbonate. Then, rinse with clean water and dry. Return all parts to the fridge freezer after cleaning.
- Install the two plastic distance guides (the parts on the black vanes -condenser- at the rear) by turning it 90° (as shown in the figure) to prevent the condenser from touching the wall.
- The distance between the appliance and back wall must be minimum 42mm and maximum 75mm.



## Before Using your Fridge

- When using your fridge for the first time, or after transportation, keep it in an upright position for at least 3 hours before plugging into the mains. This allows efficient operation and prevents damage to the compressor.
- Your fridge may have a smell when it is operated for the first time. This is normal and the smell will fade away when your fridge starts to cool.



### Internal lighting

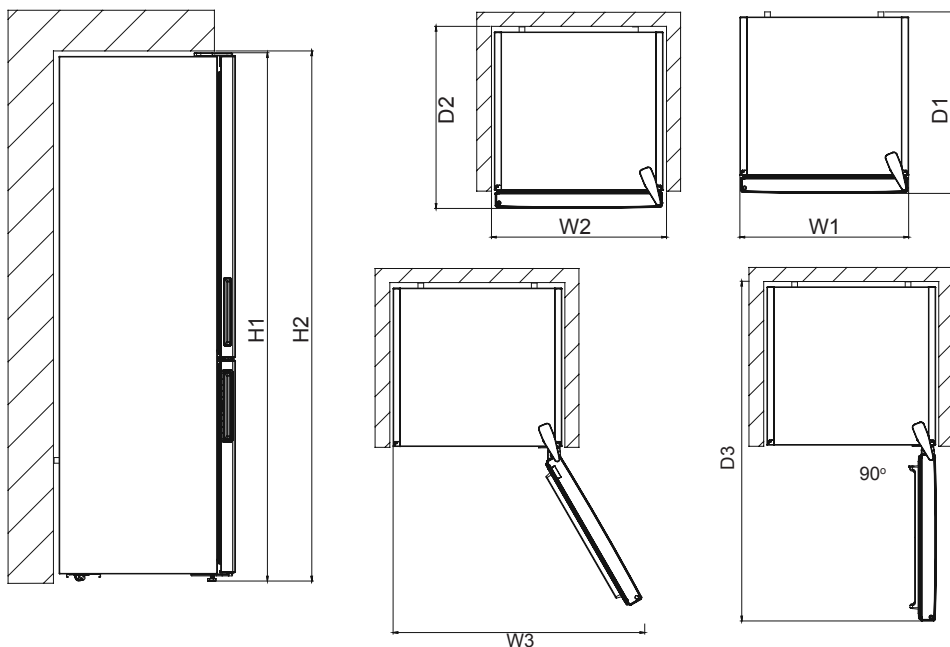


**WARNING!**

Risk of electric shock.

- Concerning the lamp(s) inside this product and spare part lamps sold separately: These lamps are intended to withstand extreme physical conditions in household appliances, such as temperature, vibration, humidity, or are intended to signal information about the operational status of the appliance. They are not intended to be used in other applications and are not suitable for household room illumination.

## Dimensions



Overall dimensions <sup>1</sup>		
H1	mm	1860
W1	mm	595
D1	mm	650

<sup>1</sup> the height, width and depth of the appliance without the handle

Space required in use <sup>2</sup>		
H2	mm	1900
W2	mm	600
D2	mm	718

<sup>2</sup> the height, width and depth of the appliance including the handle, plus the space necessary for free circulation of the cooling air

Overall space required in use <sup>3</sup>		
W3	mm	917
D3	mm	1158

<sup>3</sup> the height, width and depth of the appliance including the handle, plus the space necessary for free circulation of the cooling air, plus the space necessary to allow door opening to the minimum angle permitting removal of all internal equipment

## **PART - 2. THE VARIOUS FUNCTION AND POSSIBILITIES**

### **Information about New Generation Cooling Technology**

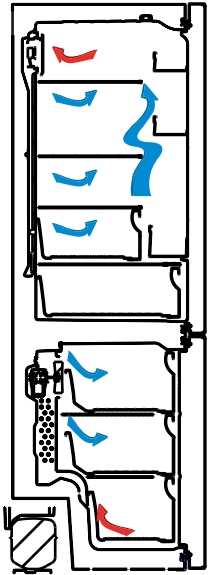
Fridges with new-generation cooling technology have a different operating system to static fridges. Other (static) fridges may experience a build up of ice in the freezer compartment due to door openings and humidity in the food. In such fridges, regular defrosting is required; the fridge must be switched off, the frozen food moved to a suitable container and the ice which has formed in the freezer compartment removed.

In fridges with new-generation cooling technology, a fan blows dry cold air evenly throughout the fridge and freezer compartments. The cold air cools your food evenly and uniformly, preventing humidity and ice build-up.

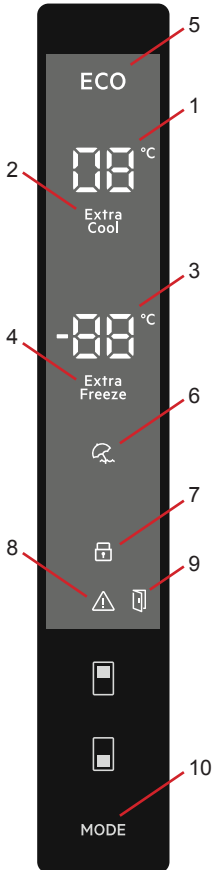
In the refrigerator compartment, air blown by the fan, located at the top of the refrigerator compartment, is cooled while passing through the gap behind the air duct. At the same time, the air is blown out through the holes in the air duct, evenly spreading cool air throughout the refrigerator compartment.

There is no air passage between the freezer and refrigerator compartments, therefore preventing the mixing of odours.

As a result, your fridge, with new-generation cooling technology, provides you with ease of use as well as a huge volume and aesthetic appearance.



## Display and Control Panel



### Using the Control Panel

1. It is cooler set value screen.
2. It is super cooling indicator.
3. It is freezer set value screen.
4. It is super freeze indicator.
5. It is economy mode symbol.
6. It is holiday mode symbol.
7. It is child-lock symbol.
8. It is alarm symbol.
9. Door open alarm symbol.
10. It enables the modes (economy, holiday...) to be activated if desired.

### Lighting (If available)

When the product is plugged in for the first time, the interior lights may turn on 1 minute late due to opening tests.

## Operating Your Fridge Freezer

### Super Freeze Mode

#### Purpose

- To freeze a large quantity of food that cannot fit on the fast freeze shelf.
- To freeze prepared foods.
- To freeze fresh food quickly to retain freshness.

#### How Would It Be Used?

Press freezer set button until Super freeze symbol will be seen on the screen. Buzzer will sound beep beep. Mode will be set.

#### During This Mode:

- Temperature of cooler and super cool mode may be adjusted. In this case super freeze mode continues.
- Economy and Holiday mode can not be selected.
- Super freeze mode can be cancelled by the same operation of selecting.



## Notes:

- The maximum amount of fresh food (in kilograms) that can be frozen within 24 hours is shown on the appliance label.
- For optimal appliance performance in maximum freezer capacity, activate Super Freeze mode 3 hours before you put fresh food into the freezer.
- At the end of this period, the fridge will sound an audible alarm notifying that it is ready.



Super freeze mode will automatically cancel after 24 hours or when the freezer sensor temperature drops below  $-32^{\circ}\text{C}$ .

## Super Cool Mode

### Purpose

- To cool and store a large quantity of food in the fridge compartment.
- To quickly cool drinks.

### How Would It Be Used?

Press cooler set button until super cool symbol will be seen on the screen. Buzzer will sound beep beep. Mode will be set.

### During This Mode:

- Temperature of freezer and super freeze mode may be adjusted. In this case super cool mode continues.
- Economy and holiday mode can not be selected.
- Super cool mode can be cancelled by the same operation of selecting.



## Economy Mode

### Purpose

Energy savings. During periods of less frequent use (door opening) or absence from home, such as a holiday, Eco program can provide optimum temperature whilst saving power.

### How Would It Be Used?

- Push "MODE" button until eco symbol appears.
- If no button is pressed for 1 second. Mode will be set. Eco symbol will blink 3 times. When mode is set, buzzer will sound beep beep.
- Freezer and refrigerator temperature segments will show "E".
- Economy symbol and E will light till mode finishes.

### During This Mode:

- Freezer may be adjusted. When economy mode will be cancelled, the selected setting values will proceed.
- Cooler may be adjusted. When economy mode will be cancelled, the selected setting values will proceed.
- Super cool and super freeze modes can be selected. Economy mode is automatically cancelled and the selected mode is activated.
- Holiday mode can be selected after cancelling the economy mode. Then the selected mode is activated.
- To cancel, you will just need to press on mode button.





## Holiday Mode

### How Would It Be Used?

- Push "MODE" button until holiday symbol appears
- If no button is pressed for 1 second. Mode will be set. Holiday symbol will blink 3 times. When mode is set, buzzer will sound beep beep.
- Cooler temperature segment will show "--".
- Holiday symbol and "--" will light till mode finishes.

### During This Mode:

- Freezer may be adjusted. When holiday mode will be cancelled, the selected setting values will proceed.
- Cooler may be adjusted. When holiday mode will be cancelled, the selected setting values will proceed.
- Super cool and super freeze modes can be selected. Holiday mode is automatically cancelled and the selected mode is activated.
- Economy mode can be selected after cancelling the holiday mode. Then the selected mode is activated.
- To cancel, you will just need to press on mode button.



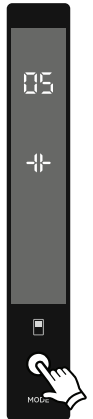
## Drink Cool Mode

### Purpose

This mode is used to cool drinks within an adjustable time frame.

### How Would It Be Used?

- Press freezer button for 3 seconds.
- Special animation will start on freezer set value screen and 05 will blink on cooler set value screen.
- Press cooler button to adjust the time (05 - 10 - 15 - 20 - 25 - 30 minutes).
- When you select the time the numbers will blink 3 times on screen and sound beep beep.
- If no button is pressed within 2 seconds the time will be set.
- The countdown starts from the adjusted time minute by minute.
- Remaining time will blink on the screen.
- To cancel this mode press freezer set button for 3 seconds.



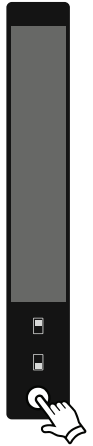
## Screen Saver Mode

### Purpose

This mode saves energy by switching off all control panel lighting when the panel is left inactive.

### How To Use?

- This mode will be activated when you press on "MODE" button for 3 seconds.
- If no button is pressed within 30 seconds when the mode is active, lights of the control panel will go off.
- If you press any button when lights of control panel are off, the current settings will appear on the screen, and then you can make the adjustment as you want. If you neither cancel screen saver mode nor press on any button in 30 seconds, the control panel will go off again.
- To cancel screen saver mode press on "MODE" button for 3 seconds again.
- When screen saver mode is active you can also activate child lock.
- If no button is pressed within 30 seconds after child lock is activated, the lights of the control panel will turn off. You can see the latest status of settings or modes after you press any button. While control panel's light is on, you can cancel child lock as described in the instruction of this mode.



## The Child Lock Function

### Purpose

Child lock can be activated to prevent any accidental or unintentional changes being made to the appliance settings.

### Activating Child Lock

Press on freezer and cooler buttons simultaneously for 5 seconds.

### Deactivating Child Lock

Press on freezer and cooler buttons simultaneously for 5 seconds.



Child lock will also be deactivated if electricity is interrupted or the fridge is unplugged.



## Door Open Alarm Function

If cooler door is opened more than 2 minutes, appliance sounds 'beep beep' and door open icon will be light.



## Temperature Settings

### Freezer Temperature Settings

- The initial temperature value for the freezer setting indicator is -18°C.
- Press the set freezer button once.
- When you first push this button, the last set value will blink on the screen.
- Whenever you press this button, temperature will decrease respectively.
- When you push the set freezer button until the super freeze symbol appears, and if you do not push any other button within 1 second, super freeze will flash.
- If you continue to press it, it will restart from -16°C.
- The temperature value selected before holiday mode, super freeze mode, super cool mode or economy mode is activated and will remain the same when the mode is over or cancelled. The appliance continues to operate with this temperature value.



### Cooler Temperature Settings

- Initial temperature value for the cooler setting indicator is +4 °C.
- Press the cooler button once.
- When you first push this button, the last value will appear on the cooler setting indicator.
- Whenever you press this button, temperature will decrease respectively.
- When you push the cooler set button until the super cool symbol appears, and if you do not push any button within 1 second, super cool will flash.
- If you continue to press the button, it will restart from +8 °C.
- The temperature value selected before holiday mode, super freeze mode, super cool mode or economy mode is activated and will remain the same when the mode is over or cancelled. The appliance continues to operate with this temperature value.



### Recommended Settings for the Freezer and Cooler Compartment Temperature

Freezer Compartment	Cooler Compartment	Remarks
-18 °C	4 °C	For regular use and best performance.
-20 °C, -22 °C or -24 °C	4 °C	Recommended when environmental temperature exceeds 30 °C.
Super Freeze mode	4 °C	Must be used when you wish to freeze food in a short period of time.
-18 °C, -20 °C, -22 °C or -24 °C	2 °C	These temperature settings must be used when the environmental temperature is high or if you think the refrigerator compartment is not cool enough because the door is being opened frequently.

## Temperature Adjustment Warnings

- It is not recommended that you operate your fridge in environments colder than 10°C in terms of its efficiency.
- Do not start another adjustment while you are already making an adjustment.
- Temperature adjustments should be made according to the frequency of door openings, the quantity of food kept inside the fridge and the ambient temperature in the location of your fridge.
- In order to allow your fridge to reach the operating temperature after being connected to mains, do not open the doors frequently or place large quantities of food in the fridge. Please note that, depending on the ambient temperature, it may take 24 hours for your fridge to reach the operating temperature.
- A 5 minute delay function is applied to prevent damage to the compressor of your fridge when connecting or disconnecting to mains, or when an energy breakdown occurs. Your fridge will begin to operate normally after 5 minutes.
- Your appliance is designed to operate in the ambient temperature (T/SN = 10°C - 43°C) intervals stated in the standards, according to the climate class displayed on the information label. We do not recommend operating your appliance out of the stated temperature limits in terms of cooling effectiveness.

Climate class	Meaning	Ambient Temperature
T	Tropical	This refrigerating appliance is intended to be used at ambient temperatures ranging from 16 °C to 43 °C.
ST	Subtropical	This refrigerating appliance is intended to be used at ambient temperatures ranging from 16 °C to 38 °C.
N	Temperate	This refrigerating appliance is intended to be used at ambient temperatures ranging from 16 °C to 32 °C.
SN	Extended temperate	This refrigerating appliance is intended to be used at ambient temperatures ranging from 10 °C to 32 °C.

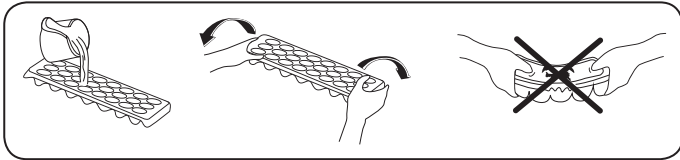
### Important installation instructions

This appliance is designed to work in difficult climate conditions (up to 43 degrees C or 110 degrees F) and is powered with 'Freezer Shield' technology which ensures that the frozen food in the freezer will not defrost even if the ambient temperature falls as low as -15 °C. So you may then install your appliance in an unheated room without having to worry about frozen food in the freezer being spoilt. When the ambient temperature returns to normal, you may continue using the appliance as usual.

## Accessories

### Ice Tray

- Fill the ice tray with water and place in the freezer compartment.
- After the water has completely frozen, you can twist the tray as shown below to remove the ice cubes.



### The Freezer Box

The freezer box allows food to be accessed more easily.

#### Removing the freezer box:

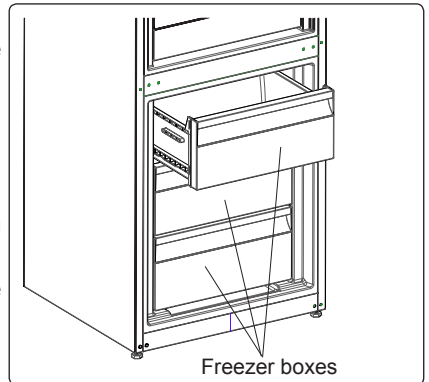
- Pull the box out as far as possible
- Pull the front of the box up and out



Carry out the opposite of this operation when refitting the sliding compartment.



Always keep hold of the handle of the box while removing it.

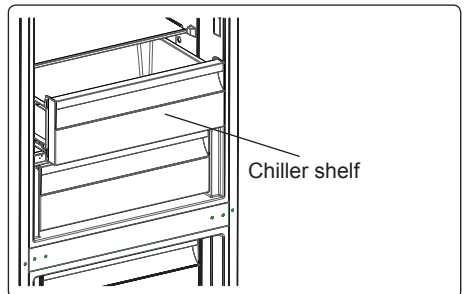


### Extra Chill Compartment (*In some models*)

Ideal to preserve the taste and texture of fresh cuts and cheese. The pull out drawer assures an environment with a lower temperature compared to the rest of the fridge, thanks to the active circulation of cold air.

#### To remove the Chiller Shelf:

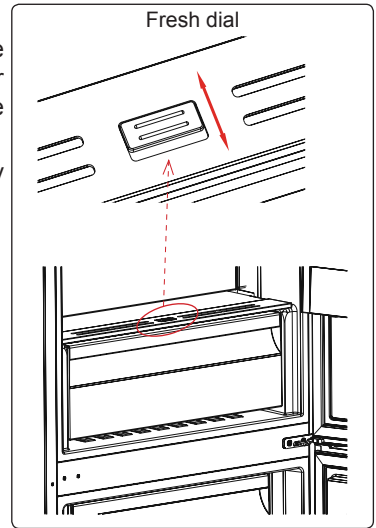
- Pull the chiller shelf towards you by sliding it on the rails.
- Pull the chiller shelf up from the rail and remove it from the fridge.



### **The Fresh Dial *(In some models)***

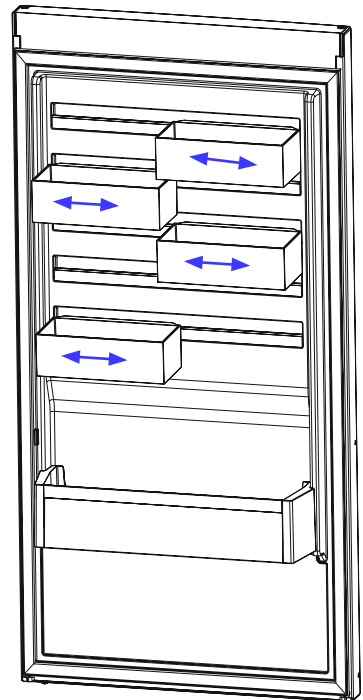
If the crisper is full, the fresh dial located in front of the crisper should be opened. This allows the air in the crisper and the humidity rate to be controlled, to increase the life of food within.

The dial, located behind the shelf, must be opened if any condensation is seen on the glass shelf.



### **CustomFlex *(In some models)***


CustomFlex® offers you the freedom to customize the space in your refrigerator. Inside of the door there are a storage container and mobile containers, so you can tailor the space to your needs. The containers are even removable, so you can remove them from the refrigerator for easy access.





***Visual and text descriptions in the accessories section may vary according to the model of your appliance.***

## **PART - 3. ARRANGING FOOD IN THE APPLIANCE**

### **Refrigerator compartment**

- Fresh food compartment is the one marked (on the rating plate) with .
- To reduce humidity and avoid the consequent formation of frost, always store liquids in sealed containers in the refrigerator. Frost tends to concentrate in the coldest parts of the evaporating liquid and, in time, your appliance will require more frequent defrosting.
- Never place warm food in the refrigerator. Warm food should be allowed to cool at room temperature and should be arranged to ensure adequate air circulation in the refrigerator compartment.
- Make sure no items are in direct contact with the rear wall of the appliance as frost will develop and packaging will stick to it. Do not open the refrigerator door frequently.
- We recommend that meat and clean fish are loosely wrapped and stored on the glass shelf just above the vegetable bin where the air is cooler, as this provides the best storage conditions.
- Store loose fruit and vegetable items in the crisper containers.
- Store loose fruit and vegetables in the crisper.
- Storing fruit and vegetables separately helps prevent ethylene-sensitive vegetables (green leaves, broccoli, carrot, etc.) being affected by ethylene-releaser fruits (banana, peach, apricot, fig etc.).
- Do not put wet vegetables into the refrigerator.
- Storage time for all food products depends on the initial quality of the food and an uninterrupted refrigeration cycle before refrigerator storage.
- To avoid cross-contamination do not store meat products with fruit and vegetables. Water leaking from meat may contaminate other products in the refrigerator. You should package meat products and clean any leakages on the shelves.
- Do not put food in front of the air flow passage.
- Consume packaged foods before the recommended expiry date.

 **NOTE:** Most efficient use of energy is ensured in the configuration with the drawers in the bottom part of the appliance, and shelves evenly distributed, position of door bins does not affect energy consumption.

 **NOTE:** Potatoes, onions and garlic should not be stored in the refrigerator. The table below is a quick guide to show you the most efficient way to store the major food groups in your refrigerator compartment.

<b>Food</b>	<b>Maximum storage time</b>	<b>How and where to store</b>
<b>Vegetables and fruits</b>	1 week	Vegetable bin
<b>Meat and fish</b>	2 - 3 Days	Wrap in plastic foil, bags, or in a meat container and store on the glass shelf
<b>Fresh cheese</b>	3 - 4 Days	On the designated door shelf
<b>Butter and margarine</b>	1 week	On the designated door shelf

Food	Maximum storage time	How and where to store
Bottled products e.g. milk and yoghurt	Until the expiry date recommended by the producer	On the designated door shelf
Eggs	1 month	On the designated egg shelf
Cooked food	2 Days	All shelves

## Freezer compartment

- Freezer compartment is the one marked with ❄️❄️❄️.
- The freezer is used for storing frozen food, freezing fresh food, and making ice cubes.
- To use the maximum capacity of the freezer compartment, use the glass shelves for the upper and middle section, and use the lower basket for the bottom section.
- Use the fast freezing shelf to freeze home cooking (and any other food which needs to be frozen quickly) more quickly because of the freezing shelf's greater freezing power. Fast freezing shelf is the bottom drawer of the freezer compartment.
- For freezing fresh food; wrap and seal fresh food properly, that is the packaging should be air tight and shouldn't leak. Special freezer bags, aluminum foil polythene bags and plastic containers are ideal.
- Do not store fresh food next to frozen food as it can thaw the frozen food.
- Before freezing fresh food, divide it into portions that can be consumed in one sitting.
- Consume thawed frozen food within a short period of time after defrosting
- Never place warm food in the freezer compartment as it will thaw the frozen food.
- Always follow the manufacturer's instructions on food packaging when storing frozen food. If no information is provided food, should not be stored for more than 3 months from the date of purchase.
- When purchasing frozen food, make sure that it has been stored under appropriate conditions and that the packaging is not damaged.
- Frozen food should be transported in appropriate containers and placed in the freezer as soon as possible.
- Do not purchase frozen food if the packaging shows signs of humidity and abnormal swelling. It is probable that it has been stored at an unsuitable temperature and that the contents have deteriorated.
- The storage life of frozen food depends on the room temperature, the thermostat setting, how often the door is opened, the type of food, and the length of time required to transport the product from the shop to your home. Always follow the instructions printed on the packaging and never exceed the maximum storage life indicated.
- The maximum amount of fresh food (in kg) that can be frozen in 24 hours is indicated on the appliance label.

**NOTE:** If you attempt to open the freezer door immediately after closing it, you will find that it will not open easily. This is normal. Once equilibrium has been reached, the door will open easily.

### Important note:

- Never refreeze thawed frozen food.



- The taste of some spices found in cooked dishes (anise, basilica, watercress, vinegar, assorted spices, ginger, garlic, onion, mustard, thyme, marjoram, black pepper, etc.) changes and they assume a strong taste when they are stored for a long period of time. Therefore, add small amounts of spices to food to be frozen, or the desired spice should be added after the food has thawed.
- The storage time of food is dependent on the type of oil used. Suitable oils are margarine, calf fat, olive oil and butter. Unsuitable oils are peanut oil and pig fat.
- Food in liquid form should be frozen in plastic cups and other food should be frozen in plastic folios or bags.



The table below is a quick guide to show you the most efficient way to store the major food groups in your freezer compartment.

Meat and fish	Preparation	Maximum storage time (months)
Steak	Wrap in foil	6 - 8
Lamb meat	Wrap in foil	6 - 8
Veal roast	Wrap in foil	6 - 8
Veal cubes	In small pieces	6 - 8
Lamb cubes	In pieces	4 - 8
Minced meat	In packaging without using spices	1 - 3
Giblets (pieces)	In pieces	1 - 3
Bologna sausage/ salami	Should be kept packaged even if it has a membrane	
Chicken and turkey	Wrap in foil	4 - 6
Goose and duck	Wrap in foil	4 - 6
Deer, rabbit, wild boar	In 2.5 kg portions or as fillets	6 - 8
Freshwater fish (Salmon, Carp, Crane, Catfish)	After cleaning the bowels and scales of the fish, wash and dry it. If necessary, remove the tail and head.	2
Lean fish (Bass, Turbot, Flounder)		4
Fatty fishes (Tuna, Mackerel, Bluefish, Anchovy)		2 - 4
Shellfish	Clean and in a bag	4 - 6
Caviar	In its packaging, or in an aluminium or plastic container	2 - 3
Snails	In salty water, or in an aluminium or plastic container	3



**NOTE:** Thawed frozen meat should be cooked as fresh meat. If the meat is not cooked after defrosting, it must not be re-frozen.

Vegetables and Fruits	Preparation	Maximum storage time (months)
<b>String beans and beans</b>	Wash, cut into small pieces and boil in water	10 - 13
<b>Beans</b>	Hull, wash and boil in water	12
<b>Cabbage</b>	Clean and boil in water	6 - 8
<b>Carrot</b>	Clean, cut into slices and boil in water	12
<b>Pepper</b>	Cut the stem, cut into two pieces, remove the core and boil in water	8 - 10
<b>Spinach</b>	Wash and boil in water	6 - 9
<b>Cauliflower</b>	Remove the leaves, cut the heart into pieces and leave it in water with a little lemon juice for a while	10 - 12
<b>Eggplant</b>	Cut into pieces of 2cm after washing	10 - 12
<b>Corn</b>	Clean and pack with its stem or as sweet corn	12
<b>Apple and pear</b>	Peel and slice	8 - 10
<b>Apricot and Peach</b>	Cut into two pieces and remove the stone	4 - 6
<b>Strawberry and Blackberry</b>	Wash and hull	8 - 12
<b>Cooked fruits</b>	Add 10 % of sugar to the container	12
<b>Plum, cherry, sourberry</b>	Wash and hull the stems	8 - 12

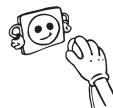
	Maximum storage time (months)	Thawing time at room temperature (hours)	Thawing time in oven (minutes)
<b>Bread</b>	4 - 6	2 - 3	4-5 (220-225 °C)
<b>Biscuits</b>	3 - 6	1 - 1,5	5-8 (190-200 °C)
<b>Pastry</b>	1 - 3	2 - 3	5-10 (200-225 °C)
<b>Pie</b>	1 - 1,5	3 - 4	5-8 (190-200 °C)
<b>Phyllo dough</b>	2 - 3	1 - 1,5	5-8 (190-200 °C)
<b>Pizza</b>	2 - 3	2 - 4	15-20 (200 °C)

Dairy products	Preparation	Maximum storage time (months)	Storage conditions
<b>Packet (Homogenized) Milk</b>	In its own packet	2 - 3	Pure Milk – in its own packet
<b>Cheese - excluding white cheese</b>	In slices	6 - 8	Original packaging may be used for short-term storage. Keep wrapped in foil for longer periods.
<b>Butter, margarine</b>	In its packaging	6	

## PART - 4. CLEANING AND MAINTENANCE



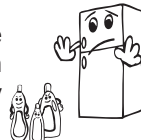
Disconnect the unit from the power supply before cleaning.



Do not wash your appliance by pouring water on it.



Do not use abrasive products, detergents or soaps for cleaning the appliance. After washing, rinse with clean water and dry carefully. When you have finished cleaning, reconnect the plug to the mains supply with dry hands.



- Make sure that no water enters the lamp housing and other electrical components.

- The appliance should be cleaned regularly using a solution of bicarbonate of soda and lukewarm water.



- Clean the accessories separately by hand with soap and water. Do not wash accessories in a dish washer.



- Clean the condenser with a brush at least twice a year. This will help you to save on energy costs and increase productivity.

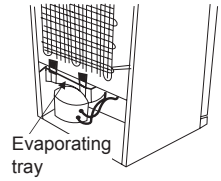


The power supply must be disconnected during cleaning.

## Defrosting

Your refrigerator performs automatic defrosting. The water formed as a result of defrosting passes through the water collection spout, flows into the vaporisation container behind your refrigerator and evaporates there.

- Make sure you have disconnected the plug of your refrigerator before cleaning the vaporisation container.
- Remove the vaporisation container from its position by removing the screws as indicated. Clean it with soapy water at specific time intervals. This will prevent odours from forming.



## Replacing LED Lighting

To replace any of the LEDs, please contact the nearest Authorised Service Centre.

**Note:** The numbers and location of the LED strips may change according to the model.

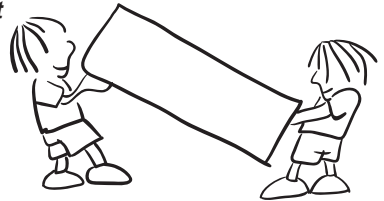
# PART - 5. TRANSPORTATION AND CHANGING OF INSTALLATION POSITION

## Transportation and Changing Positioning

- The original packaging and foam may be kept for re-transportation (optional).
- Fasten your appliance with thick packaging, bands or strong cords and follow the instructions for transportation on the packaging.
- Remove all movable parts (shelves, accessories, vegetable bins, and so on) or fix them into the appliance against shocks using bands when re-positioning or transporting.



***Always carry your appliance in the upright position.***



## Repositioning the Door

- It is not possible to change the opening direction of your appliance door if door handles are installed on the front surface of the appliance door.
- It is possible to change the opening direction of the door on models without handles and models with handles mounted on the sides.
- If the door-opening direction of your appliance can be changed, contact the nearest Authorised Service Centre to change the opening direction.

## **PART - 6. BEFORE CALLING YOUR AFTER SALES SERVICE**

### **Errors**

Your fridge will warn you if the temperatures for the cooler and freezer are at improper levels or if a problem occurs with the appliance. Warning codes are displayed in the freezer and cooler indicators.

<b>ERROR TYPE</b>	<b>MEANING</b>	<b>WHY</b>	<b>WHAT TO DO</b>
<b>E01</b>	Sensor warning		Call Service for assistance as soon as possible.
<b>E02</b>			
<b>E03</b>			
<b>E06</b>			
<b>E07</b>			
<b>E08</b>	Low Voltage Warning	Power supply to the device has dropped to below 170 V.	<ul style="list-style-type: none"> <li>- This is not a device failure, this error helps to prevent damages to the compressor.</li> <li>- The voltage needs to be increased back to required levels</li> </ul> <p>If this warning continues an authorised technician needs to be contacted.</p>
<b>E09</b>	Freezer compartment is not cold enough	Likely to occur after long term power failure.	<ol style="list-style-type: none"> <li>1. Set the freezer temperature to a colder value or set Super Freeze. This should remove the error code once the required temperature has been reached. Keep doors closed to improve time taken to reach the correct temperature.</li> <li>2. Remove any products which have thawed/ defrosted during this error. They can be used within a short period of time.</li> <li>3. Do not add any fresh produce to the freezer compartment until the correct temperature has been reached and the error is no longer.</li> </ol> <p>If this warning continues an authorised technician needs to be contacted.</p>

ERROR TYPE	MEANING	WHY	WHAT TO DO
E10	Fridge compartment is not cold enough	<p><b>Likely to occur after:</b></p> <ul style="list-style-type: none"> <li>- Long term power failure.</li> <li>- Hot food has been left in the fridge.</li> </ul>	<ol style="list-style-type: none"> <li>1. Set the fridge temperature to a colder value or set Super Cool. This should remove the error code once the required temperature has been reached. Keep doors closed to improve time taken to reach the correct temperature.</li> <li>2. Please empty the location at the front area of air duct channel holes and avoid putting food close to the sensor.</li> </ol> <p>If this warning continues an authorised technician needs to be contacted.</p>
E11	Fridge compartment is too cold	Various	<ol style="list-style-type: none"> <li>1. Check is Super Cool mode is activated</li> <li>2. Reduce the fridge compartment temperature</li> <li>3. Check to see if vents are clear and not clogged</li> </ol> <p>If this warning continues an authorised technician needs to be contacted.</p>

If you are experiencing a problem with your refrigerator, please check the following before contacting the after-sales service.

**Your refrigerator does not operate**

**Check if:**

- Your fridge is plugged in and switched on
- The fuse has blown
- Is the temperature adjustment right?
- The socket is faulty. To check this, plug another working appliance into the same socket.

**Your refrigerator is performing poorly**

**Check if:**

- Is the temperature adjustment right?
- Is the door of your fridge opened frequently and left open for a long while?
- The appliance is overloaded
- The doors are closed properly
- Did you put a dish or food on your fridge so that it contacts the rear wall of your fridge so as to prevent the air circulation?
- Is your fridge filled excessively?

- There is an adequate distance between the appliance and surrounding walls
- Is the ambient temperature within the range of values specified in the operating manual?

### **Your refrigerator is operating noisily**

The following noises can be heard during normal operation of the appliance.

#### **Cracking (ice cracking) noise occurs:**

- During automatic defrosting.
- When the appliance is cooled or warmed (due to expansion of appliance material).

**Clicking noise occurs:** When the thermostat switches the compressor on/off.

**Motor noise:** Indicates the compressor is operating normally. The compressor may cause more noise for a short time when it is first activated.

**Bubbling noise and splashing occurs:** Due to the flow of the refrigerant in the tubes of the system.

**Water flowing noise occurs:** Due to water flowing to the evaporation container. This noise is normal during defrosting.

**Air blowing noise occurs:** During normal operation of the system due to the circulation of air.

### **There is a build-up of humidity inside the fridge**

#### **Check if:**

- All food is packed properly. Containers must be dry before being placed in the fridge.
- The fridge doors are opened frequently. Humidity of the room will enter the fridge each time the doors are opened. Humidity increases faster if the doors are opened frequently, especially if the humidity of the room is high.
- There is a build-up of water droplets on the rear wall. This is normal after automatic defrosting (in Static Models).

### **The doors are not opening or closing properly**

#### **Check if:**

- There is food or packaging preventing the door from closing
- The door compartments, shelves and drawers are placed properly
- The door gaskets are broken or torn
- Your fridge is level.

### **The edges of the fridge in contact with the door joint are warm**

Especially during summer (warm weather), the surfaces in contact with the door joint may become warmer during operation of the compressor. This is normal.

#### **Important Notes:**

- In the case of a power failure, or if the appliance is unplugged and plugged in again, the gas in the cooling system of your refrigerator will destabilise, causing the compressor protective thermal element to open. Your refrigerator will start to operate normally after 5 minutes.
- If the appliance will not be used for a long period of time (such as during holidays), disconnect the plug. Defrost and clean the refrigerator, leaving the door open to prevent the formation of mildew and odour.

- If the problem persists after you have followed all the instructions above, please consult the nearest Authorised Service Centre.
- This appliance is designed for domestic use and for the stated purposes only. It is not suitable for commercial or common use. If the consumer uses the appliance in a way that does not comply with these instructions, we emphasise that the manufacturer and the dealer will not be responsible for any repair or failure within the guarantee period.

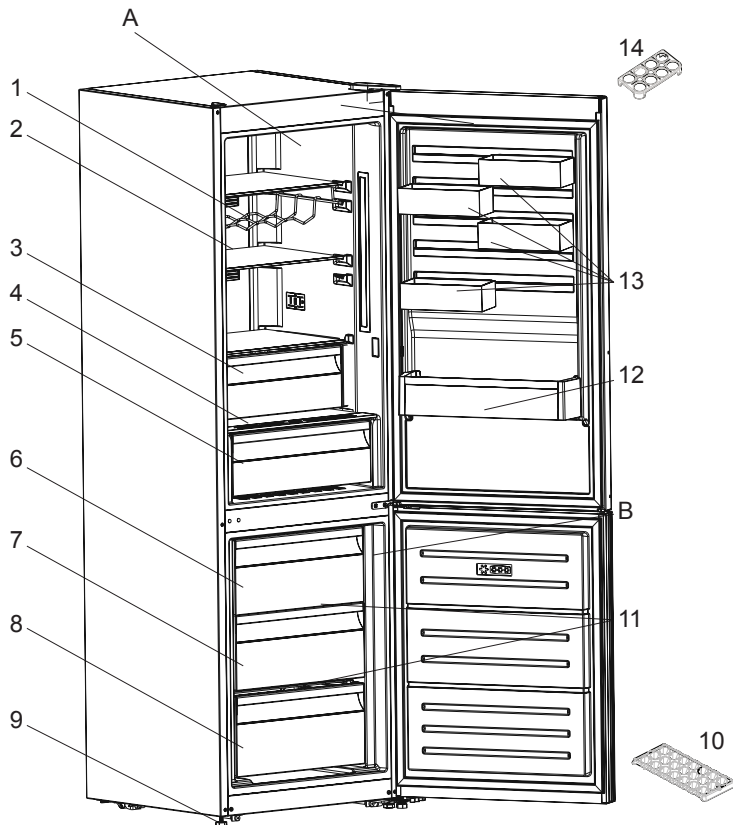
## **Hints for Energy Saving**

1. Install the appliance in a cool, well-ventilated room, but not in direct sunlight and not near a heat source (such as a radiator or oven) otherwise an insulating plate should be used.
2. Allow warm food and drinks to cool before placing them inside the appliance.
3. Place thawing food in the refrigerator compartment. The low temperature of the frozen food will help cool the refrigerator compartment while the food is thawing. This will save energy. Frozen food left to thaw outside of the appliance will result in a waste of energy.
4. Drinks or other liquids should be covered when inside the appliance. If left uncovered, the humidity inside the appliance will increase, therefore the appliance uses more energy. Keeping drinks and other liquids covered helps preserve their smell and taste.
5. Avoid keeping the doors open for long periods and opening the doors too frequently as warm air will enter the appliance and cause the compressor to switch on unnecessarily often.
6. Keep the covers of the different temperature compartments (such as the crisper and chiller) closed.
7. The door gasket must be clean and pliable. In case of wear, if your gasket is detachable, replace the gasket. If not detachable, you have to replace the door.
8. Eco mode / default setting function preserves fresh and frozen foods while saving energy.
9. Fresh Food Compartment (Fridge): Most efficient use of energy is ensured in the configuration with the drawers in the bottom part of the appliance, and shelves evenly distributed, position of door bins does not affect energy consumption.
10. Frozen Compartment (Freezer): The internal configuration of the appliance is the one that ensures the most efficient use of energy.
11. Do not remove the cold accumulators from the freezer basket (if present.).



## PART - 7.

# THE PARTS OF THE APPLIANCE AND THE COMPARTMENTS



This presentation is only for information about the parts of the appliance. Parts may vary according to the appliance model.

A) Refrigerator compartment

B) Freezer compartment

1) Wine rack \*

2) Refrigerator shelves

3) Chiller \*

4) Crisper cover

5) Crisper

6) Freezer upper basket

7) Freezer middle basket

8) Freezer bottom basket

9) Levelling feet

10) Ice box tray

11) Freezer glass shelves \*

12) Bottle shelf

13) CustomFlex

14) Egg holder

\* In some models

## **PART - 8. TECHNICAL DATA**

The technical information is situated in the rating plate on the internal side of the appliance and on the energy label.

The QR code on the energy label supplied with the appliance provides a web link to the information related to the performance of the appliance in the EU EPREL database.

Keep the energy label for reference together with the user manual and all other documents provided with this appliance.

It is also possible to find the same information in EPREL using the link <https://eprel.ec.europa.eu> and the model name and product number that you find on the rating plate of the appliance.

See the link [www.theenergylabel.eu](http://www.theenergylabel.eu) for detailed information about the energy label.

## **PART - 9. INFORMATION FOR TEST INSTITUTES**

Installation and preparation of the appliance for any EcoDesign verification shall be compliant with EN 62552. Ventilation requirements, recess dimensions and minimum rear clearances shall be as stated in this User Manual at PART 1. Please contact the manufacturer for any other further information, including loading plans.



CZ

POŽÁR

Varování: Riziko požáru / hořlavých materiálů

# OBSAH

<b>PŘED POUŽITÍM SPOTŘEBIČE .....</b>	<b>39</b>
Obecná upozornění .....	39
Bezpečnostní varování .....	43
Instalace a obsluha vaší chladničky .....	44
Než začnete chladničku používat .....	44
Rozměry .....	45
<b>POUŽITÍ CHLADNIČKY-MRAZNIČKY .....</b>	<b>46</b>
Informace o nové technologii chlazení .....	46
Displej a ovládací panel .....	47
Obsluha chladničky .....	47
Režim rychlého mrazení .....	47
Režim rychlého chlazení .....	48
Úsporný režim .....	48
Režim Dovolena .....	49
Režim chlazení nápojů .....	49
Režim spořiče obrazovky .....	50
Funkce Dětského zámku .....	50
Alarm – Otevřené dveře .....	50
Nastavení teploty .....	51
Nastavení teploty mrazničky .....	51
Nastavení teploty chladničky .....	51
Doporučená nastavení teploty mrazicího a chladicího prostoru .....	51
Upozornění týkající se nastavení teploty .....	52
Příslušenství .....	53
Zásobník na led .....	53
Mraznička - box .....	53
Oddělení pro extra chlazení .....	53
Ovladač vlhkosti .....	54
CustomFlex .....	54
<b>ROZMÍSTĚNÍ POTRAVIN VE SPOTŘEBIČI .....</b>	<b>55</b>
Chladnička .....	55
Mraznička .....	55
<b>ČIŠTĚNÍ A ÚDRŽBA .....</b>	<b>58</b>
Odmrazování .....	59

<b>DOPRAVA A PŘEMÍSTĚNÍ.....</b>	<b>59</b>
Přemístění dveří .....	59
<b>NEŽ SE OBRÁTÍTE NA POPRODEJNÍ SERVIS .....</b>	<b>59</b>
Tipy na šetření energie.....	62
<b>ČÁSTI SPOTŘEBIČE A PŘÍSLUŠENSTVÍ.....</b>	<b>64</b>
<b>TECHNICKÉ ÚDAJE.....</b>	<b>65</b>
<b>INFORMACE PRO ZKUŠEBNÍ INSTITUTY .....</b>	<b>65</b>

## PRO DOKONALÉ VÝSLEDKY

Děkujeme, že jste si zakoupili tento produkt značky AEG! Je navržen tak, aby po dlouhá léta podával dokonalý výkon díky inovativním technologiím usnadňujícím život a díky funkcím, které nenajdete u obyčejných spotřebičů. Věnujte prosím pár minut přečtení těchto informací, abyste mohli používat svůj spotřebič co neefektivněji.

Navštivte naše stránky:



Rady ohledně používání, brožury, poradce při potížích, servisní informace:

**[www.aeg.com/support](http://www.aeg.com/support)**



Registrace vašeho spotřebiče, kterou získáte lepší servis:

**[www.registeraeg.com](http://www.registeraeg.com)**



Nákup příslušenství, spotřebního materiálu a originálních náhradních dílů pro váš spotřebič:

**[www.aeg.com/shop](http://www.aeg.com/shop)**

## PÉČE O ZÁKAZNÍKY A SERVIS

Používejte pouze originální náhradní díly.

Při kontaktu se servisním střediskem se ujistěte, že máte k dispozici následující údaje: Model, výrobní číslo (PNC), sériové číslo.

Tyto informace jsou uvedeny na typovém štítku.

⚠ Varování / Důležité bezpečnostní informace

ℹ Všeobecné informace a rady

📄 Poznámky k ochraně životního prostředí

Změny vyhrazeny.

## **ČÁST - 1. PŘED POUŽITÍM SPOTŘEBIČE**

### **Obecná upozornění**

Před instalací a použitím vašeho spotřebiče si pečlivě přečtěte návod s pokyny. Nezodpovídáme za škody způsobené špatným použitím.

Řiďte se všemi pokyny na vašem spotřebiči a v návodu k použití a tento návod uchovejte na bezpečném místě, abyste mohli vyřešit problémy, k nimž může dojít v budoucnosti.

Tento spotřebič není určen k použití jako vestavěné zařízení.

Pokud nebudou z důvodu odlišné instalace dodrženy požadavky na prostor pro volně stojící spotřebič, spotřebič bude fungovat správně, ale může se lehce zvýšit spotřeba energie.

**!** **VAROVÁNÍ:** Větrací otvory udržujte bez překážek.

**!** **VAROVÁNÍ:** Nepoužívejte mechanické nástroje nebo jiné prostředky k urychlení procesu odmrazení s výjimkou těch, které doporučuje výrobce..

**!** **VAROVÁNÍ:** V prostoru pro skladování potravin nepoužívejte elektrické spotřebiče, s výjimkou těch, které doporučuje výrobce.

**!** **VAROVÁNÍ:** Nepoškodte chladicí okruh.

**!** **VAROVÁNÍ:** Abyste předešli nebezpečí z důvodu nestability spotřebiče, je třeba hu upevnit v souladu s pokyny.

**!** **VAROVÁNÍ:** Když umístíte spotřebič, ujistěte se, že není elektrický kabel zauzlovaný nebo poškozený.

**!** **VAROVÁNÍ:** Neumísťujte žádné vícenásobné rozbočovací zásuvky ani přenosné zdroje napájení na zadní část spotřebiče.

**!** Pokud vaše chladnička používá jako chladivo R600 - bude to vyznačeno na štítku na chladicím zařízení- musíte si dát pozor během přepravy a montáže, aby nedošlo k poškození chladicích prvků spotřebiče. I když je R600a ekologický a přírodní plyn, je výbušný. Pokud dojde k velkému úniku z důvodu poškození

chladicích prvků, přemístěte chladničku od otevřeného ohně nebo zdrojů tepla a místnost, v níž je spotřebič umístěný, několik minut větrejte.

- Všechny balicí materiály uchovávejte mimo dosah dětí a zajistěte náležitou likvidaci obalu.
- Během přenášení a umisťování chladničky dejte pozor, abyste nepoškodili chladicí okruh plynu.
- Neskladujte výbušné substance, např. plechovky s aerosolem, neboť ty mohou v tomto spotřebiči způsobit vznik požáru.
- Tento spotřebič je určený k použití v domácnosti a podobných zařízeních, např. ;
  - kuchyňky pro zaměstnance v obchodech, kancelářích a ostatních pracovních prostředích
  - pro klienty v hotelech, motelech a ostatních obytných prostorech
  - pro klienty v penzionech;
  - pro catering a ostatní podobná prostředí
- Pokud zásuvka neodpovídá zástrčce chladničky, musí ji vyměnit výrobce, jeho servis nebo podobně kvalifikované osoby, aby se tak předešlo nebezpečí.
- Speciálně uzemněná zástrčka byla připojena k napájecímu kabelu vaší chladničky. Tato zástrčka se musí používat se speciálně uzemněnou zásuvkou 16 A nebo 10 A, v závislosti na zemi, kde bude produkt prodáván. Nemáte-li doma takovou zástrčku, nechte ji nainstalovat autorizovaným elektrikářem.
- Tento spotřebič mohou používat děti starší 8 let a osoby s omezenými tělesnými, smyslovými nebo mentálními schopnostmi anebo osoby bez příslušných znalostí a zkušeností, pokud jsou pod dozorem nebo byly poučeny o bezpečném užívání tohoto přístroje a chápou související nebezpečí. Děti si nesmí se spotřebičem hrát. Čištění a údržba nesmí být prováděny dětmi bez dohledu dospělé osoby.



- Děti ve věku od 3 do 8 let smí nakládat a vykládat chladicí spotřebiče. Děti nemají provádět údržbu nebo čištění spotřebiče, velmi malé děti (0 – 3 let) nemají používat spotřebič, malé děti (3 – 8 let) nemají používat spotřebič, pokud jsou bez stálého dozoru, starší děti (8 – 14 let) a lidé s omezenými fyzickými nebo duševními schopnostmi mohou používat spotřebiče bezpečně, pokud jsou pod dozorem nebo byli o bezpečném použití spotřebiče náležitě instruováni. Lidé s velice omezenými schopnostmi nemají používat spotřebič, dokud nejsou pod stálým dozorem.
- Pokud je napájecí kabel poškozen, musí jej vyměnit výrobce, jeho servisní zástupce nebo obdobně kvalifikovaná osoba, aby se předešlo riziku.
- Tento spotřebič není určen k použití v nadmořských výškách nad 2000 m.

### **Aby nedošlo ke kontaminaci jídla, dodržujte prosím následující pokyny:**

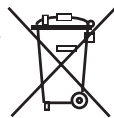
- Ponechání dvířek v otevřeném stavu po dlouhou dobu může způsobit výrazný nárůst teploty uvnitř oddělení spotřebiče.
- Pravidelně očišťujte povrchy, které přichází do kontaktu s jídlem, a také přístupné odtokové systémy.
- Syrové maso a ryby uchovávejte v chladničce ve vhodných kontejnerech, aby nedocházelo k jejich kontaktu s jinými potravinami nebo ukápnutí na ně.
- Oddělení pro mražené potraviny označená dvěma hvězdičkami jsou vhodná pro uchovávání předem zmražených potravin, uchovávání nebo výrobu zmrzliny a výrobu ledových kostek.
- Oddělení označená jednou, dvěma nebo třemi hvězdičkami nejsou vhodná pro zmrazení čerstvého jídla.
- Pokud chladicí zařízení je ponecháno prázdné po dlouhou dobu, je nutné ho vypnout, rozmrazit, očistit, osušit a ponechat dvířka otevřená, abyste zabránili tvorbě plísní uvnitř spotřebiče.

## Servis

- Pro opravy spotřebiče kontaktujte autorizované servisní centrum. Používejte pouze originální náhradní díly.
- Pamatujte si, že samostatné nebo neodborné opravování může negativně ovlivnit bezpečnost spotřebiče, což povede ke zrušení záruky.
- Následující náhradní díly budou k dispozici po dobu 7 let od zastavení výroby daného modelu: termostaty, teplotní snímače, obvodové desky, prvky osvětlení, rukojeti dvířek, závěsy dvířek, nádoby a koše.
- Některé z těchto náhradních dílů jsou k dispozici výhradně pro profesionální opraváře a všechny náhradní díly se nemusí vztahovat ke všem modelům.
- Těsnění dvířek bude k dispozici po dobu 10 let od zastavení výroby daného modelu.

## Staré a nefunkční chladničky

- Má-li vaše stará chladnička zámek, odstraňte ho před likvidací nebo ť děti se do něj mohou zachytit a může dojít k nehodě.
- Staré chladničky a mrazničky obsahují izolační materiál a chladivo s CFC. Proto dejte pozor, abyste při likvidaci starých chladniček nepoškodili životní prostředí a dodrželi lokální směrnice.



Ohledně likvidace WEEE, opětovného použití, recyklace a regenerace se obraťte na místní orgány.

### Poznámky:

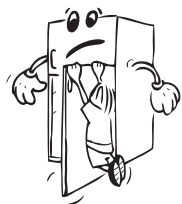
- Tento spotřebič je vyroben pro použití v domácnostech a lze ho použít pouze doma a pro specifikované účely. Nehodí se pro komerční či hromadné použití. Na takové použití nebude uplatněna záruka a naše společnost neponese odpovědnost za případné ztráty.
- Tento spotřebič je vyrobený k použití v domácnostech a musí být použit pouze pro chlazení/skladování potravin. Není vhodné pro komerční nebo společné používání a/ nebo pro skladování látek s výjimkou potravin. Naše společnost neodpovídá za ztráty k nimž dojde v opačném případě.

## Bezpečnostní varování

- Nepoužívejte rozdvojky nebo prodlužovací kabely.
- Nezapojujte do poškozených, opotřebených nebo starých zástrček.
- Netahejte, nelámejte ani nepoškozujte kabel.



- Neopužívejte zásuvkové adaptéry.
- Tento spotřebič je určený k použití pouze dospělými osobami, nedovolte dětem, aby si se spotřebičem hrály, ani jim nedovolte, aby se zavěšovaly na dveře.
- Nezapojujte ani neodpojujte zástrčku mokřýma rukama, mohlo by dojít k úrazu elektrickým proudem!
- Do mrazničky nikdy nevkládejte skleněné láhve nebo plechovky. Láhve nebo plechovky mohou explodovat.



- Z důvodu zajištění své bezpečnosti nevkládejte do chladničky hořlavé nebo výbušné materiály. Alkoholické nápoje vkládejte do chladničky vertikálně a to tak, že lahve pevně utáhněte.
- Při vybírání ledu z mrazničky se ho nedotkněte, neboť může způsobit omrzliny a/nebo řezné rány.
- Nedotýkejte se zmrazeného zboží mokřýma rukama. Zmrzlinu a ledové kostky nepoužívejte jakmile je vyjmete z mrazničky!
- Znovu nezmrazujte zboží, které se rozpustilo. To může způsobit zdravotní problémy, např. otravu jídlem.
- Kryt ani horní část chladničky nezakrývejte pokrývkou. To ovlivní výkon vaší chladničky.

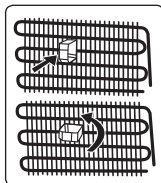


- Upevněte příslušenství v chladničce během přepravy tak, aby se předešlo poškození příslušenství.

## Instalace a obsluha vaší chladničky

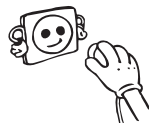
Než začnete chladničku používat, musíte věnovat pozornost následujícím bodům:

- Provozní napětí vaší chladničky je 220-240 V při 50Hz.
- Neneseme zodpovědnost za škodu, k níž může dojít z důvodu neuzemněného použití.
- Chladničku umístěte na místo, kde nebude vystaveno přímému slunečnímu světlu.
- Váš spotřebič musí být minimálně 50 cm od trouby, plynové trouby nebo hořáků a musí být minimálně 5 cm od elektrické trouby.
- Vaše chladnička nesmí být používána venku nebo ponechána na dešti.
- Na chladničku neumisťujte nic a umístěte ji na vhodné místo tak, aby nad horní částí zůstalo minimálně 15 cm.
- Nastavitelné přední nožky je nutno nastavit do vhodné výšky, aby mraznička mohla fungovat stabilně a správně. Nožičky můžete nastavit otáčením ve směru hodinových ručiček (nebo opačným směrem). To musí být provedeno před vložením potravin do chladničky.
- Než začnete mrazničku používat, otřete všechny vnitřní povrchy a zásuvky hadříkem ponořeným do teplé vody s lžičkou jedlé sody a potom opláchněte čistou vodou a osušte. Po očištění vraťte zpět všechny díly.
- Nainstalujte plastovou rozpěrku (část s černými lopatkami vzadu) otočením o 90° jak je zobrazeno na obrázku, abyste předešli dotýkání kondenzátoru stěny.
- Vzdálenost mezi spotřebičem a zadní stěnou musí činit minimálně 42 mm a maximálně 75 mm.




## Než začnete chladničku používat

- Při prvním spuštění nebo po přepravě nechte mrazničku stát 3 hodiny, ještě než ji zapojíte. Jinak by mohlo dojít k poškození kompresoru.
- Vaše chladnička může při prvním spuštění zapáchat; zápach zmizí jakmile se spustí chlazení.

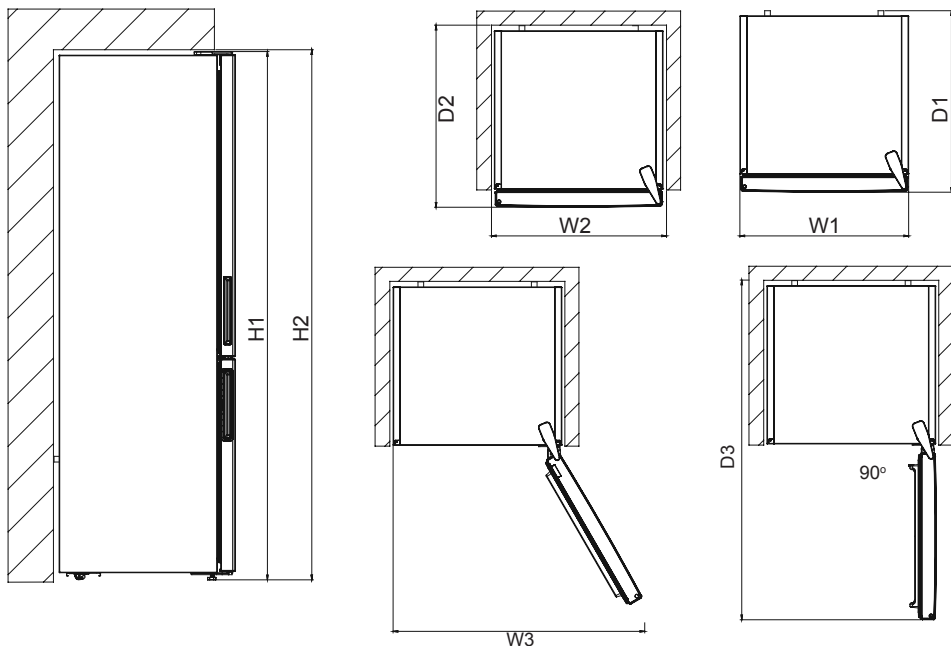


## Vnitřní osvětlení

 **VAROVÁNÍ!**  
Nebezpečí úrazu elektrickým proudem.

- Pokud jde o žárovky uvnitř tohoto produktu a náhradní žárovky prodávané samostatně: Účelem těchto žárovek je odolávat extrémním fyzickým podmínkám, kterým jsou domácí spotřebiče vystavovány, jako je teplota, vibrace, vlhkost, a nebo signalizace informací o provozním stavu spotřebiče. Nejsou určeny k použití v jiných zařízeních a nejsou vhodné pro osvětlení místnosti v domácnosti.

## Rozměry



Celkové rozměry <sup>1</sup>		
H1	mm	1860
W1	mm	595
D1	mm	650

<sup>1</sup> výška, šířka a hloubka spotřebiče bez držadla

Prostor vyžadovaný v provozu <sup>2</sup>		
H2	mm	1900
W2	mm	600
D2	mm	718

<sup>2</sup> výška, šířka a hloubka spotřebiče včetně držadla a prostoru nezbytného pro volnou cirkulaci chladicího vzduchu

Celkový prostor vyžadovaný v provozu <sup>3</sup>		
W3	mm	917
D3	mm	1158

<sup>3</sup> výška, šířka a hloubka spotřebiče včetně držadla, prostoru nezbytného pro volnou cirkulaci chladicího vzduchu a prostoru nezbytného k umožnění otevření dveří do minimálního úhlu, který umožní odstranění veškerého vnitřního vybavení

## ČÁST - 2. POUŽITÍ CHLADNIČKY-MRAZNIČKY

### Informace o nové technologii chlazení

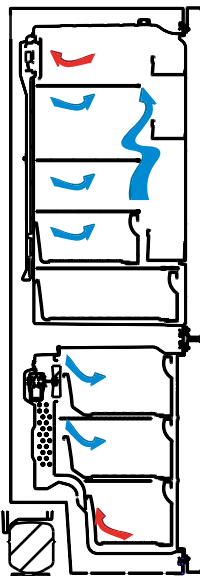
Chladničky-mrazničky s novou technologií chladničky mají jiný systém než statické chladničky-mrazničky. V případě běžných chladniček-mrazniček se do mrazničky vhání vlhký vzduch a voda vypařující se z potravin se v prostoru mrazničky změní na led. Aby bylo možné tuto námrazu odstranit, jinými slovy odmrazit, je třeba chladničku odpojit ze sítě. Během odmrazování musí uživatel dát potraviny jinam a odstranit zbývající led a nahromaděnou námrazu.

V případě mrazniček vybavených novou technologií chlazení je situace zcela jiná. Studený a suchý vzduch se v prostoru mrazničky rozptýluje pomocí ventilátoru. Studený vzduch se tak snadno rozptýlí po celém prostoru - i v místech mezi poličkami, a potraviny se zmrazí správně a rovnoměrně. A netvoří se žádná námraza.

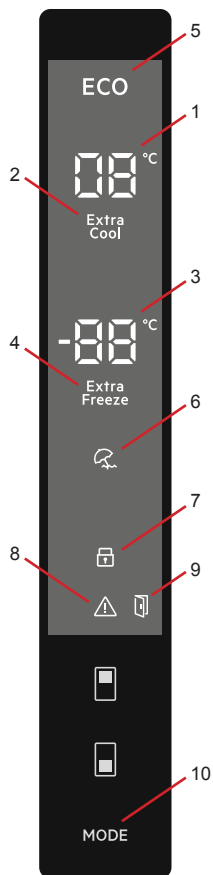
Konfigurace v prostoru chladničky bude téměř stejná jako v prostoru mrazničky. Vzduch rozptylovaný ventilátorem v horní části prostoru chladničky se chladí během průchodu mezerou za průduchem. Aby byl proces chlazení v prostoru chladničky úspěšně dokončen, ve stejný okamžik dochází k uvolňování vzduchu skrz otvory na průduchu. Otvory na průduchu jsou navrženy pro rovnoměrnou distribuci vzduchu v prostoru.

Vzhledem k tomu, že nedochází mezi chladničkou a mrazničkou neprochází žádný vzduch, nedojde k míšení pachů.

Díky tomu se chladnička s novou technologií chlazení snadno používá a nabízí vám jak velký objem, tak estetický vzhled.



## Displej a ovládací panel



### Obsluha chladničky

1. Chladnější nastavená hodnota.
2. Kontrolka super chlazení.
3. Hodnota nastavená v mrazničce.
4. Kontrolka super mrazení.
5. Symbol úsporného režimu.
6. Symbol dovolené.
7. Symbol dětského zámku.
8. Symbol alarmu.
9. Symbol alarm – Otevřené dveře
10. V případě potřeby aktivuje režimy (úsporný, dovolená).

### Osvětlení (je-li k dispozici)

Když je produkt poprvé zapojen do sítě, vnitřní osvětlení se může kvůli testům otevírání opozdit o 1 minutu.

## Obsluha chladničky

### Režim rychlého mrazení

#### Účel

- Zmrazit velké množství potravin, které se nevejde do přehrádky rychlého mrazení.
- Zmrazit připravené jídlo.
- Rychle zmrazit čerstvé potraviny, aby se zachovala čerstvost.

#### Jak ho lze použít?

Stiskněte tlačítko mrazničky dokud se na obrazovce nezobrazí symbol Super mrazení. Ozve se pípnutí. Režim bude nastavený.

#### Během tohoto režimu:

- Máte možnost nastavit teplotu v mrazničce a režim super mrazení. V takovém případě režim super mrazení pokračuje.
- Ekonomický režim a režim Dovolená nelze vybrat.



- Režim super mrazení lze zrušit výběrem stejné možnosti.

### Poznámka:

- Informace o maximální zmrazovací kapacitě (kg) na dobu 24 hodin naleznete na typovém štítku.
- Při maximální kapacitě je lepší nastavit režim Super mrazení 3 hodiny před vložením potravin.
- Zvukový alarm se ozve jakmile jsou splněny optimální podmínky.



Režim "Super mrazení" se automaticky zruší po 24 hodinách, nebo jakmile teplota v mrazničce klesne pod  $-32\text{ }^{\circ}\text{C}$ .

### Režim rychlého chlazení

#### Účel

- Schladit a uskladnit velké množství potravin v lednici.
- Rychle schladit nápoje.

#### Jak ho lze použít?

Stiskněte tlačítko chladničky dokud se na obrazovce nezobrazí symbol Super chlazení. Ozve se pípnutí. Režim bude nastavený.

#### Během tohoto režimu:

- Můžete nastavit teplotu v mrazničce a režim super mrazení. V takovém případě režim super chlazení pokračuje.
- Ekonomický režim a režim Dovolená nelze vybrat.
- Režim super chlazení lze zrušit výběrem stejné možnosti.



### Úsporný režim

#### Účel

Úspora energie Během období snížené potřeby používání (otevírání dveří) nebo v případě nepřítomnosti, jako je dovolená, program Eco zajišťuje optimální teplotu a zároveň šetří energii.

#### Jak ho lze použít?

- Stiskněte tlačítko "režim" dokud se nezobrazí symbol Eco.
- Nedojde-li k stisknutí žádného tlačítka po dobu 1 sekundy. Režim bude nastavený. Symbol Eco 3x zabliká. Když je režim nastavený, ozve se pípnutí.
- Teploty v segmentech chladničky a mrazničky zobrazí "E".
- Symbol úsporného režimu a E se rozsvítí dokud režim neskončí.

#### Během tohoto režimu:

- Lze provést nastavení mrazničky. Jakmile bude zrušen úsporný režim, spustí se hodnoty vybraného nastavení.
- Chladničku lze nastavit. Jakmile bude zrušen úsporný režim, spustí se hodnoty vybraného nastavení.
- Lze vybrat režimy super chlazení a mrazení. Úsporný režim se automaticky zruší a vybraný režim se aktivuje.
- Režim o dovolené lze vybrat po zrušení úsporného režimu. Potom se aktivuje vybraný model.
- Pro zrušení budete muset stisknout tlačítko režimu.





## Režim Dovolená

### Jak ho lze použít?

- Stiskněte "tlačítko "režim" dokud se nezobrazí symbol dovolené.
- Nedojde-li k stisknutí žádného tlačítka po dobu 1 sekundy. Režim bude nastavený. Symbol Dovolená 3x zabliká. Když je režim nastavený, ozve se pípnutí.
- Teplota v chladničce se zobrazí jako "--".
- Symbol Dovolená a "--" se rozsvítí dokud režim neskončí..

### Během tohoto režimu:

- Lze provést nastavení mrazničky. Když je režim dovolená zrušen, vybrané hodnoty nastavení zůstanou stejné.
- Chladničku lze nastavit. Když je režim dovolená zrušen, vybrané hodnoty nastavení zůstanou stejné.
- Lze vybrat režimy super chlazení a mrazení. Režim Dovolená se automaticky zruší a vybraný režim se aktivuje.
- Úsporný režim lze vybrat po zrušení sporného režimu. Potom se aktivuje vybraný model.
- Pro zrušení budete muset stisknout tlačítko režimu.



## Režim chlazení nápojů

### Kdy ho lze použít?

Tento režim se používá k chlazení nápojů během nastaveného času.

### Jak ho lze použít?

- Tlačítko mrazničky stiskněte na 3 sekundy.
- Na obrazovce se spustí speciální animace a na obrazovce se rozblíká 05.
- Stisknutím tlačítka chladničky nastavte čas (05 - 10 - 15 - 20 - 25 - 30 minut).
- Když vyberete čas, čísla na obrazovce 3x zablikají a ozve se pípnutí.
- Nedojde-li ke stisknutí tlačítka během 2 sekund, čas se nastaví.
- Nastavený čas se začne minutu po minutě odpočítávat.
- Na obrazovce se rozblíká zbývajcí čas.
- Chcete-li tento režim zrušit, stiskněte tlačítko nastavení mrazničky na 3 sekundy.



## Režim spořiče obrazovky

### Účel

Tento režim šetří energii vypnutím všech světel ovládacího panelu, když není panel aktivní.

### Jak ho používat

- Režim spořiče obrazovky se automaticky aktivuje po 30 sekundách.
- Pokud stisknete libovolné tlačítko, když je vypnuté osvětlení ovládacího panelu, na displeji se objeví aktuální nastavení, které vám umožní provést libovolnou změnu.
- Pokud nezrušíte spořič obrazovky nebo po dobu 30 sekund nestlačíte žádné jiné tlačítko, ovládací panel zůstane vypnutý.

### Pro deaktivaci režimu spořiče obrazovky

- Režim spořiče obrazovky zrušíte tak, že nejprve stiknete jakékoli tlačítko, čímž aktivujete tlačítka a poté znovu stiknete a podržíte tlačítko Režimu po dobu 3 sekuund.
- Pokud stisknete a podržíte tlačítko režimu po dobu 3 sekund, znovu aktivujete režim spořič obrazovky.



## Funkce Dětského zámku

### Kdy ho lze použít?

Chcete-li předejít tomu, aby si děti hrály s tlačítky a měnily provedená nastavení, máte k dispozici funkci dětského zámku.

### Aktivace dětského zámku

Na 5 sekund současně stiskněte tlačítka mrazničky a chladničky.

### Deaktivace dětského zámku

Na 5 sekund současně stiskněte tlačítka mrazničky a chladničky.

**Poznámka:** Dětský zámek se rovněž deaktivuje je-li přerušeno napájení nebo je-li chladnička odpojena.



## Alarm – Otevřené dveře

Pokud dvířka chladničky zůstanou otevřená déle než 2 minuty, spotřebič dvakrát zapípá a rozsvítí se ikona Otevřená dvířka.



## Nastavení teploty

### Nastavení teploty mrazničky

- Počáteční teplota pro nastavení mrazničky -18 °C.
- Tlačítko mrazničky stiskněte jednou.
- Když poprvé stisknete toto tlačítko, na obrazovce se rozbliká poslední nastavená hodnota.
- Po stisknutí tohoto tlačítka se teplota sníží o příslušnou hodnotu.
- Když stisknete tlačítko nastavení mrazničky, zobrazí se symbol Super mrazení a pokud nestisknete žádné tlačítko během 1 sekundy, rozbliká se kontrolka Super mrazení.
- Pokud pokračujete stisknutím, restartuje se od -16 °C.
- Hodnota teploty zvolená před režimem Dovolena, Super mrazení, Super chlazení nebo Úsporný režim se aktivuje a zůstane stejná i po ukončení daného režimu. Spotřebič nadále funguje s touto hodnotou.



### Nastavení teploty chladničky

- Počáteční teplota pro nastavení chladničky +4 °C.
- Jednou stiskněte tlačítko chladničky.
- Při prvním stisknutí tlačítka je poslední hodnota, která se zobrazí na kontrolce hodnota nastavení chladničky.
- Po stisknutí tohoto tlačítka se teplota sníží o příslušnou hodnotu.
- Když stisknete tlačítko nastavení chladničky dokud se nezobrazí symbol super chlazení, a pokud nestisknete žádné tlačítko během 1 sekundy, rozbliká se kontrolka Super chlazení.
- Pokud pokračujete stisknutím, restartuje se od +8 °C.
- Hodnota teploty zvolená před režimem Dovolena, Super mrazení, Super chlazení nebo Úsporný režim se aktivuje a zůstane stejná i po ukončení daného režimu. Spotřebič nadále funguje s touto hodnotou.



## Doporučená nastavení teploty mrazicího a chladicího prostoru

Mrazicí prostor	Chladicí prostor	Poznámky
-18 °C	4 °C	Pro pravidelné použití a nejlepší výkonost.
-20 °C, -22 °C nebo -24 °C	4 °C	Doporučuje se, pokud teplota okolí překročí 30 °C.
Režim rychlého mrazení	4 °C	Toto nastavení použijte, chcete-li potraviny rychle zmrazit.
-18 °C, -20 °C, -22 °C nebo -24 °C	2 °C	Tato nastavení teploty lze použít je-li okolní teplota vysoká nebo pokud se domníváte, že chladicí prostor není dostatečně vychlazený, protože dvířka se často otevírají.

## Upozornění týkající se nastavení teploty

- Nedoporučuje se, abyste svoji chladničku používali v prostředí, kde je teplota nižší než 10 °C, neboť by to mohlo ovlivnit efektivitu.
- Nastavení teploty musí být provedeno v souladu s frekvencí otevírání dveří a množstvím potravin uložených v chladničce.
- Než dokončíte nastavení, nepřecházejte k jinému nastavení.
- Vaše chladnička musí být provozována 24 hodin v dané okolní teplotě bez přerušení, aby došlo k naprostému vychlazení. Dveře chladničky neotevírejte často a v tuto dobu do ní nevkládejte příliš velké množství potravin.
- Funkce 5 minutové prodlevy slouží k tomu, aby se předešlo poškození kompresoru chladničky, když odpojíte zástrčku a potom ji znovu zapojíte nebo když dojde k výpadku napájení. Vaše chladnička začne fungovat normálně po 5 minutách.
- Vaše chladnička je navržena tak, aby pracovala v intervalech uvedených ve standardech, v souladu s třídou uvedenou na informačním štítku. Nedoporučujeme spuštění vaší chladničky mimo uvedené limity, aby bylo možné dosáhnout efektivního chlazení.
- Tento spotřebič je navržen k použití při okolní teplotě v rozmezí 10 °C - 43 °C.

Třída klimatu	Význam	Okolní teplota
T	Tropická	Tato chladnička je určena k použití při okolní teplotě od 16 °C do 43 °C.
ST	Subtropická	Tato chladnička je určena k použití při okolní teplotě od 16 °C do 38 °C.
N	Normální	Tato chladnička je určena k použití při okolní teplotě od 16 °C do 32 °C.
SN	Subnormální	Tato chladnička je určena k použití při okolní teplotě od 10 °C do 32 °C.

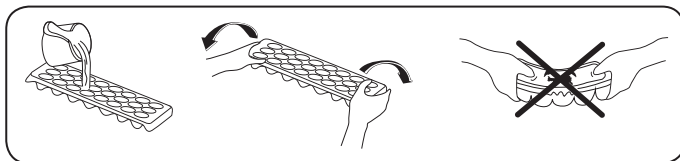
### Důležité pokyny k instalaci

Tento spotřebič je určen pro provoz v obtížných klimatických podmínkách (do 43 °C nebo 110 °F) a je vybaven technologií 'Freezer Shield' (mrazící kryt), která zajišťuje, aby se zmrzlé jídlo v mrazničce nerozmrazilo, i když klesne teplota v okolí spotřebiče na -15 °C. Z toho vyplývá, že můžete nainstalovat spotřebič v nevytopené místnosti, aniž byste se museli obávat, že se zmrazené jídlo v mrazničce pokazí. Jakmile se okolní teplota vrátí do normálu, můžete pokračovat v používání spotřebiče, jako obvykle.

## Příslušenství

### Zásobník na led

- Zásobník naplňte vodou a umístěte ho do mrazáku.
- Po zamrznutí zásobník otočte tak, jak je ukázáno na obrázku a vysypte ledové kostky.



### Mraznička - box

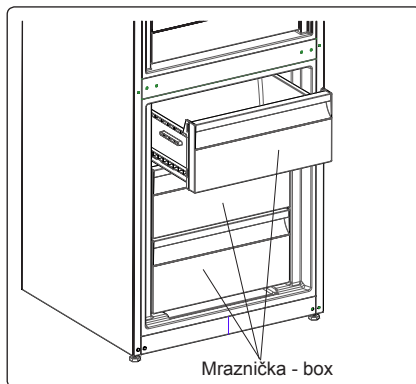
- Box slouží ke skladování potravin, ke kterým potřebujete snadný přístup.
- Vyjmutí boxu;
- Box vysuňte co nejdále to jde.
- Přední část boxu zdvihněte a vysuňte.



Při resetování proveďte opačný postup.



**Poznámka:** Při vysunování či zasunování vždy držte rukojeť.

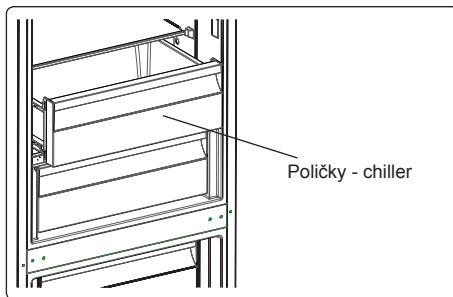


### Oddělení pro extra chlazení (u některých modelů)

Ideální pro uchování chutí a struktury nakrájených potravin a sýra. Vytahovací zásuvka zajišťuje prostředí s teplotou nižší než ve zbytku chladničky díky aktivní cirkulaci studeného vzduchu.

#### Vyjmutí poličky chilleru;

- Poličku chilleru vysuňte směrem k sobě.
- Poličku vysuňte směrem nahoru a poličku vytáhněte.

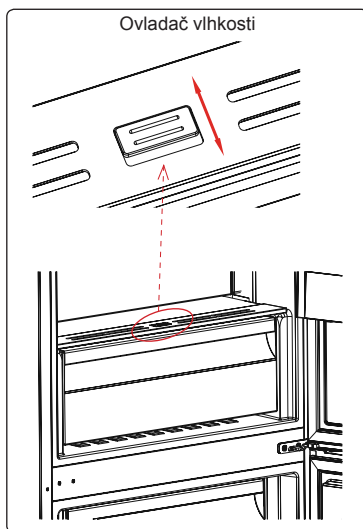


### Ovladač vlhkosti (u některých modelů)

Je-li ovladač vlhkosti v uzavřené pozici, umožní to dlouhodobější skladování čerstvého ovoce a zeleniny.

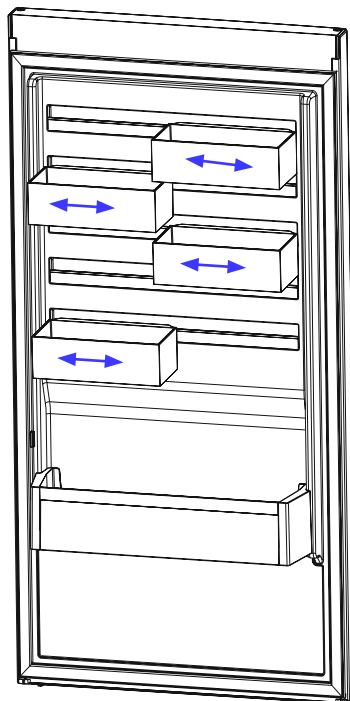
V případě, že je zásobník na zeleninu úplně plný, lze otevřít kolečko před zásobníkem. Tak se zajistí kontrola vzduchu a vlhkosti a zvýší se životnost potravin.

Pokud na skleněné policičce uvidíte kondenzaci, je třeba, abyste ovládání vlhkosti nastavili do otevřené pozice.



### CustomFlex (u některých modelů)


CustomFlex® vám umožňuje přizpůsobit prostor uvnitř chladničky podle vašich potřeb. Na vnitřní straně dvířek se nachází skladovací kontejner a pohyblivé kontejnery, takže si můžete přizpůsobit jejich umístění, jak budete chtít. Kontejnery jsou dokonce vyjímatelné, takže se dají z chladničky vyjmout pro jednoduchý přístup.




**Vizuální a textové popisy na části s příslušenstvím se mohou lišit podle modelu vašeho spotřebiče.**

## ČÁST - 3. ROZMÍSTĚNÍ POTRAVIN VE SPOTŘEBIČI

### Chladnička

- Prostor pro čerstvé potraviny je označen symbolem  (na výkonnostním štítku).
- Abyste snížili vlhkost a následné zvýšení námrazy, nikdy neumísťujete kapaliny do neutěsněných nádob. Námraza má tendenci hromadit se v nejchladnějších částech výparníku a proto je třeba provádět častější odmrazování.
- Do chladničky nikdy nevkládáte teplé potraviny. Teplé potraviny je třeba nechat vychladnout na pokojovou teplotu a v prostoru chladničky je třeba zajistit adekvátní cirkulaci vzduchu.
- Nic by se nemělo dotýkat zadní stěny, neboť to způsobí hromadění námrazy a balíčky se mohou k zadní stěně přichytit. Dveře chladničky příliš často neotevírejte.
- Maso a očištěné ryby (zabalené do sáčků nebo plastové fólie), které spotřebujete během 1-2 dnů, umístěte do spodní části chladničky (nad crisperem), neboť jde o nejchladnější část a to zajistí ty nejlepší podmínky skladování.
- Ovoce a zeleninu můžete vkládat do crisperu nezabalené.


 **POZNÁMKA:** Nejeфекtivnější využití energie je zajištěno při umístění zásuvek ve spodní části chladničky a rovnoměrném umístění polic, zatímco pozice košíků na dvířkách chladničky spotřebu energie neovlivňuje.

 **Poznámka:** Brambory, cibule a česnek se v chladničce nesmí skladovat.

*Některé návrhy na umístění a skladování potravin v chladničce jsou uvedeny níže.*

Potraviny	Maximální délka skladování	Do které části chladničky vložit
Ovoce a zelenina	1 týden	Zásuvka na zeleninu
Maso a ryby	2 - 3 dny	Zakryté plastovou fólií nebo sáčky nebo v boxu na maso (na skleněné polici)
Čerstvý sýr	3 - 4 dny	Ve speciální polici ve dveřích
Máslo a margarín	1 týden	Ve speciální polici ve dveřích
Produkty v lahvičích mléko a jogurt	Do expirace doporučené výrobcem	Ve speciální polici ve dveřích
Vejce	1 měsíc	V zásobníku na vejčka
Vařené potraviny	2 dny	Všechny polici

### Mraznička

- Prostor mrazničky je označen symbolem .
- Pro dlouhodobé uložení mrazených potravin a výrobu ledu použijte mrazničku, prosím.
- Zmrazení čerstvého jídla: pořádně zabalte čerstvé jídlo tak, aby obal byl vzduchotěsný a neprotékal. Ideální jsou speciální sáčky do mrazničky, allobal, polyetylenové sáčky a plastové nádoby.
- Abyste dosáhli maximální kapacity mrazničky, používejte skleněné policičky v horní a střední části. Do spodní části umístěte nižší košík.
- Nevkládejte potraviny, které chcete zmrazit do blízkosti již zmrazených potravin.
- Potraviny, které chcete zmrazit (maso, mleté maso, ryby, atd.) musíte před zmrazením rozdělit na takové porce, aby je bylo možné zkonzumovat najednou.

- Jakmile jsou potraviny rozmrazené, znovu je nezmrazujte. Mohlo by vám to způsobit zdravotní problémy, např. otravu jídlem.
- Do mrazničky nevkládejte horké potraviny, nechte je vychladnout. Došlo by tak k narušení hlubokého zmrazení ostatních potravin.
- Když koupíte zmrazené potraviny, zkontrolujte, zda byly zmrazeny při vhodných podmínkách a balení není poškozené.
- Během skladování zmrazených potravin musí být dodrženy podmínky skladování uvedené na obalu. Není-li tam uvedeno žádné vysvětlení, potraviny musí být spotřebovány co nejdříve.
- Pokud došlo ke zvlhnutí zmrazeného jídla a je nepříjemně cítit, jídlo mohlo být skladováno v nevhodných podmínkách a díky tomu se zkazilo. Tento typ potravin nekupujte!
- Délka skladování zmrazených potravin závisí na okolní teplotě, frekvenci otevírání dveří, nastavení termostatu, typu potravin a času, který uplynul od zakoupení potravin do vložení do mrazničky. Vždy se řiďte pokyny na balení a nikdy nepřekračujte uvedenou délku skladování.
- Upozorňujeme, že chcete-li dveře mrazničky otevřít okamžitě po zavření, nepůjde to snadno. Je to zcela normální. Poté, co se přetlak vyrovná, bude možné dveře otevřít snadno.

#### **Důležitá poznámka:**


- Zmrazené potraviny lze po rozmrazení vařit stejně jako čerstvé potraviny. Nedojde-li k jejich uvaření pro rozmrazení, nesmí být NIKDY znovu zmrazeny.
- Chuť některých druhů koření ve vařených pokrmech (anýz, bazalka, petrželka, vinný ocet, zázvor, česnek, hořčice, tymián, pepř, majoránka, atd.) se mění a při dlouhodobém skladování zesílí. Proto musí být do zmrazených potravin přidáno malé množství koření nebo je koření možné přidat až po rozmrazení.
- Délka skladování závisí na použitém oleji. Vhodné oleje jsou margarín, telecí lůj, olivový olej, máslo a nevhodný je arašídový olej a vepřové sádlo.
- Potraviny v kapalné formě musí být zmrazeny v plastových nádobách, jiné potraviny musí být zmrazené v plastových fóliích nebo sáčcích.



*Některé návrhy na umístění a skladování potravin v mrazničce jsou uvedeny níže.*

Maso a ryby	Příprava	Maximální délka skladování (měsíc)
<b>Steak</b>	Zabaleno ve fólii	6 - 8
<b>Jehněčí maso</b>	Zabaleno ve fólii	6 - 8
<b>Telecí pečeně</b>	Zabaleno ve fólii	6 - 8
<b>Telecí kostky</b>	Na malé kousky	6 - 8
<b>Jehněčí kostky</b>	Na kousky	4 - 8
Mleté maso	V balíčcích, bez koření	1 - 3
<b>Droby (kousky)</b>	Na kousky	1 - 3
<b>Boloňský salám</b>	Musí být zabalený, i když je v obalu	
<b>Kuře a krůta</b>	Zabaleno ve fólii	4 - 6
<b>Husa a kachna</b>	Zabaleno ve fólii	4 - 6



Maso a ryby	Příprava	Maximální délka skladování (měsíc)
Jelen, zajíc, divoký kanec	Ve 2,5 kg porcích a jako filety	6 - 8
Čerstvé ryby (losos, kapr, siluroidea)	Po očištění rybu opláchněte a osušte a je-li třeba, odřízněte ocasní ploutev a hlavu.	2
Ryby, okoun, platýs, kambala		4
Tučné ryby (tuňák, makrela, lufara, ančovičky)		2 - 4
Koryši	Očištění a v sáčcích	4 - 6
Kaviár	Ve vlastním obalu, hliníkovém nebo plastovém	2 - 3
Hlemýždi	Ve slané vodě, hliníkovém nebo plastovém obalu	3
 <b>Poznámka:</b> Zmražené maso musí být po rozmrazení uvažené. Není-li po rozmražení znovu uvažené, nesmí být znovu zmrazeno.		

Zelenina a ovoce	Příprava	Maximální délka skladování (měsíce)
Fazolové lusky a fazole	Omyjte a nakrájejte na malé kousky a uvařte ve vodě	10 - 13
Fazole	Propláchněte a uvařte ve vodě	12
Zelí	Očistěte a uvařte ve vodě.	6 - 8
Mrkev	Očistěte, nakrájejte na plátky a uvařte.	12
Paprika	Odstraňte stopku, rozřízněte na poloviny, vyjměte semínka a uvařte.	8 - 10
Špenát	Očistěte a uvařte ve vodě.	6 - 9
Květák	Oddělte listy, květák nakrájejte na kousky, na chvíli ponořte do vody s několika kapkami citrónu.	10 - 12
Lilek	Po omytí nakrájejte na 2 cm kousky	10 - 12
Kukuřice	Očistěte a zabalte jako klas nebo zrna	12
Jablko a hruška	Olupejte a nakrájejte	8 - 10
Meruňka a broskev	Rozkrojte na poloviny a vyjměte pecku	4 - 6
Jahoda a borůvka	Omyjte a opláchněte	8 - 12
Vařené ovoce	Do nádoby přidejte 10% cukru	12
Švestka, třešně, višně	Omyjte a očistěte.	8 - 12

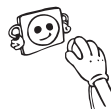
	Maximální délka skladování (měsíce)	Délka rozmrazování při pokojové teplotě (hodiny)	Délka rozmrazování v troubě (minuty)
Chleba	4 - 6	2 - 3	4-5 (220-225 °C)
Sušenky	3 - 6	1 - 1,5	5-8 (190-200 °C)
Pečivo	1 - 3	2 - 3	5-10 (200-225 °C)
Koláč	1 - 1,5	3 - 4	5-8 (190-200 °C)
Listové těsto	2 - 3	1 - 1,5	5-8 (190-200 °C)
Pizza	2 - 3	2 - 4	15-20 (200 °C)

Mléčné produkty	Příprava	Maximální délka skladování (měsíce)	Podmínka skladování
Balené (homogenizované) mléko	Ve vlastním obalu	2 - 3	Čisté mléko - ve vlastním obalu
Sýr - vyjma tvarohu	Na plátky	6 - 8	Originální obal lze použít ke krátkodobému skladování. Pro dlouhodobější skladování je třeba ho zabalit do fólie.
Máslo, margarín	Ve vlastním obalu	6	

## ČÁST - 4. ČIŠTĚNÍ A ÚDRŽBA



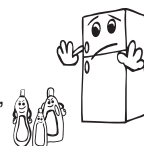
**Než začnete chladničku čistit, zkontrolujte, zda je odpojená.**



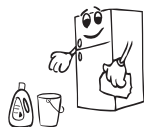
Chladničku nečistěte tekoucí vodou.



K čištění nikdy nepoužívejte hořlavé, výbušné nebo korozivní materiály, např. ředidlo, benzín, kyselinu.



- Vnitřní část můžete otřít měkkým hadříkem a houbičkou namočenou do teplé vody s čisticím prostředkem.



- Vyjměte jednotlivé části a omyjte je vodou s čisticím prostředkem. Nemyjte v myčce.



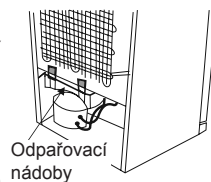
- Kondenzátor musíte jednou ročně očistit kartáčem, abyste tak zajistili úsporu energie a zvýšili produktivitu.



**Ujistěte se, zda je vaše chladnička během čištění odpojená.**

## Odmrazování

- Vaše chladnička provádí plně automatizované odmrazování. Voda nahromaděná v důsledku odmrazování projde do odpařovací nádoby a tam se sama odpaří.
- Než začnete s čištěním výparníku, zkontrolujte, že jste odpojili zástrčku.
- Vyjměte výparník z jeho místa, odšroubujte šrouby jak je zobrazeno na obrázku. Ve specifických časových intervalech očistěte vodou s čisticím prostředkem. Tak lze zabránit vzniku zápachu.



## Výměna kontrolky LED

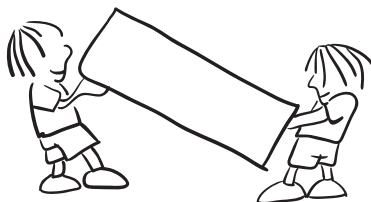
Má-li vaše chladnička kontrolku LED, kontaktujte help desk, neboť její výměnu musí provést pouze autorizovaní zaměstnanci.

**Poznámka:** Počet a umístění pásů LED se může lišit, podle typu modelu.

## ČÁST - 5. DOPRAVA A PŘEMÍSTĚNÍ

### Doprava a přemístění

- Pro přemístění je třeba uchovat původní balení a pěnu (volitelně).
- Chladničku musíte upevnit v obalu, pomocí pásů nebo silných kabelů a postupovat dle pokynů pro přepravu, které jsou na obalu.
- Vyjměte pohyblivé části (poličky, příslušenství, přihrádky na zeleninu, atd.) nebo je připevněte do chladničky pomocí pásů, aby během přemísťování a přepravy nedošlo k narázům.



 **Chladničku převázejte kolmo.**

### Přemístění dveří

- Jsou-li madla vaší chladničky instalovaná z přední části dveří, nelze změnit směr otevírání dveří chladničky.
- Směr otevírání dvířek lze změnit u modelů bez madel a modelů s madly na bočních stranách..
- Má-li být směr otevírání vaší mrazničky změněn, musíte kontaktovat nejbližší autorizované servisní centrum a požádat o provedení změny otevírání.

## ČÁST - 6. NEŽ SE OBRÁTÍTE NA POPRODEJNÍ SERVIS

### Zkontrolujte pozorně;

Chladnička vás varuje, pokud teplota v chladničce a mrazničce klesne na nesprávnou úroveň nebo když dojde k problému se spotřebičem.

TYP CHYBY	VÝZNAM	PROČ	CO DĚLAT
E01	Výstražný senzor		Zkontaktujte co nejdříve servis.
E02	Výstražný senzor		Zkontaktujte co nejdříve servis.
E03	Výstražný senzor		Zkontaktujte co nejdříve servis.
E06	Výstražný senzor		Zkontaktujte co nejdříve servis.
E07	Výstražný senzor		Zkontaktujte co nejdříve servis.

TYP CHYBY	VÝZNAM	PROČ	CO DĚLAT
E08	Upozornění na nízké napětí	Elektrické napájení zařízení kleslo pod 170 V.	<p>- Nejedná se o selhání zařízení, tato chyba pomáhá, aby se zabránilo poškození kompresoru.</p> <p>- Napětí je třeba zvýšit zpět na požadovanou úroveň</p> <p>Pokud se toto varování neustále opakuje, je třeba zkontaktovat autorizovaného technika.</p>
E09	Mraznička není dostatečně vychlazená	Pravděpodobně z důvodu dlouhodobého výpadku napájení.	<ol style="list-style-type: none"> <li>1. Teplotu v mrazničce nastavte na nižší hodnoty nebo nastavte super mrazení. To by mělo odstranit oznámení chyby, jakmile bude požadována teplota dosažena. Zavřete dveře, aby se urychlil čas dosažení správné teploty.</li> <li>2. Vyjměte veškeré výrobky, které se během této chyby rozmrazily. Musíte je spotřebovat v krátkém časovém úseku.</li> <li>3. Do mrazničky nepřidávejte žádné čerstvé potraviny, dokud není dosažena správná teplota a chyba nezmizí.</li> </ol> <p>Pokud se toto varování neustále opakuje, je třeba zkontaktovat autorizovaného technika.</p>
E10	Lednička není dostatečně vychlazená	<p><b>Pravděpodobně z důvodu:</b></p> <ul style="list-style-type: none"> <li>- Dlouhodobého výpadku napájení.</li> <li>- Do ledničky bylo vloženo teplé jídlo.</li> </ul>	<ol style="list-style-type: none"> <li>1. Teplotu v ledničce nastavte na nižší hodnoty nebo nastavte super chlazení. To by mělo odstranit oznámení chyby, jakmile bude požadována teplota dosažena. Zavřete dveře, aby se urychlil čas dosažení správné teploty.</li> <li>2. Prosim, uvolněte místo před otvory kanálu vzduchového rozvodu a vyhněte se umístění potravin v blízkosti senzoru.</li> </ol> <p>Pokud se toto varování neustále opakuje, je třeba zkontaktovat autorizovaného technika.</p>
E11	Příliš nízká teplota v ledničce	Různé	<ol style="list-style-type: none"> <li>1. Zkontrolujte, zda je ukazatel režimu super chlazení aktivován.</li> <li>2. Snižte teplotu v ledničce.</li> <li>3. Zkontrolujte, zda jsou ventily průchozí a nejsou ucpané.</li> </ol> <p>Pokud se toto varování neustále opakuje, je třeba zkontaktovat autorizovaného technika.</p>

### **Pokud vaše chladnička nefunguje;**

- Došlo k výpadku napájení?
- Je zástrčka zapojena správně?
- Je pojistka zástrčky, do níž je zásuvka zapojená, vypálená?
- Došlo k problému se zásuvkou? Chcete-li to zkontrolovat, zapojte chladničku do známé funkční zásuvky.

### **Pokud vaše mraznička dostatečně nechladí:**

- Je nastavení teploty správné?
- Jsou dveře chladničky otevírány často a dlouho ponechávány otevřené?
- Jsou dveře chladničky řádně uzavřené?
- Vložili jste do chladničky jídlo nebo potraviny, které jsou v kontaktu se zadní stěnou chladničky, a tak brání cirkulaci vzduchu?
- Není chladnička naplněna až moc.
- Je mezi chladničkou a stěnou dostatek místa?
- Je okolní hodnota v rozsahu hodnot specifikovaných v návodu k použití?

### **Je-li potravina ve vaší chladničce přechlazená**

- Je nastavení teploty správné?
- Není do mrazničky vloženo příliš mnoho jídla? Pokud ano, vaše chladnička může jídlo vychladit až moc, a bude déle spuštěná, aby potraviny vychladila.

### **Je-li vaše chladnička příliš hlasitá:**

Abyste udrželi nastavenou úroveň chlazení, kompresor se čas od času aktivuje. Hluk, který se v takový okamžik z chladničky ozývá je zcela normální. Když je dosaženo požadované úrovně chlazení, hluk se automaticky sníží. Pokud hluku přetrvává:

- Je váš spotřebič stabilní? Jsou nožičky zastavené?
- Je za chladničkou překážka?
- Vibrují poličky nebo nádoby? Poličky a/nebo nádoby v takovém případě přemístěte.
- Vibrují předměty umístě na vaší chladničce.

### **Normální zvuky:**

#### **Zvuk praskání (praskání ledu):**

- Během automatického odmrazování.
- Když se spotřebič zahřeje nebo zchladí (z důvodu expanze materiálu)

**Krátké praskání:** Tento zvuk zaslechnete když termostat zapne a vypne kompresor.

**Hluk kompresoru (Normální zvuk motoru):** Tento hluk znamená, že kompresor funguje normálně. Kompresor může způsobit větší hluk po kratší dobu po svém spuštění.

**Zvuk bublání:** Tento zvuk je způsoben průtokem chladiva v trubicích systému.

**Zvuk tekoucí vody:** Normální zvuk tekoucí vody odtékající do výparníku během odmrazování. Tento zvuk lze zaslechnout během odmrazování.

**Zvuk dmýchání vzduchu (normální zvuk ventilátoru):** Tento zvuk lze zaslechnout v chladničce No-Frost během normální provozu systému z důvodu cirkulace vzduchu.

### **Pokud se v chladničce vytvoří vlhkost:**

- Byly potraviny řádně zabaleny? Byly nádoby před vložením do chladničky dobře osušeny?
- Dochází často k otevírání dveří chladničky? Když dojde k otevření dveří, do chladničky se dostane vlhkost ve vzduchu v místnosti. Zejména, je-li vlhkost v místnosti vysoká, čím častěji jsou dveře chladničky otevírány, tím častěji dojde k hromadění vlhkosti.
- Je normální, že se během automatického odmrazování tvoří na zadní stěně chladničky kapky vody. (U statických modelů)

### **Nejsou-li dveře řádně otevírány a zavírány:**

- Brání zavření dveří obaly potravin?
- Byly správně umístěny poličky, zásuvky a příslušenství ve dveřích chladničky?
- Je těsnění dveří opotřebované nebo poškozené?
- Je chladnička na rovném povrchu?

### **Pokud jsou hrany chladničky, které jsou v kontaktu s dveřmi, horké:**

Zejména v létě (teplém počasí), se mohou povrchy spojů během provozu kompresoru zahřát, to je normální.

### **Důležitá upozornění:**

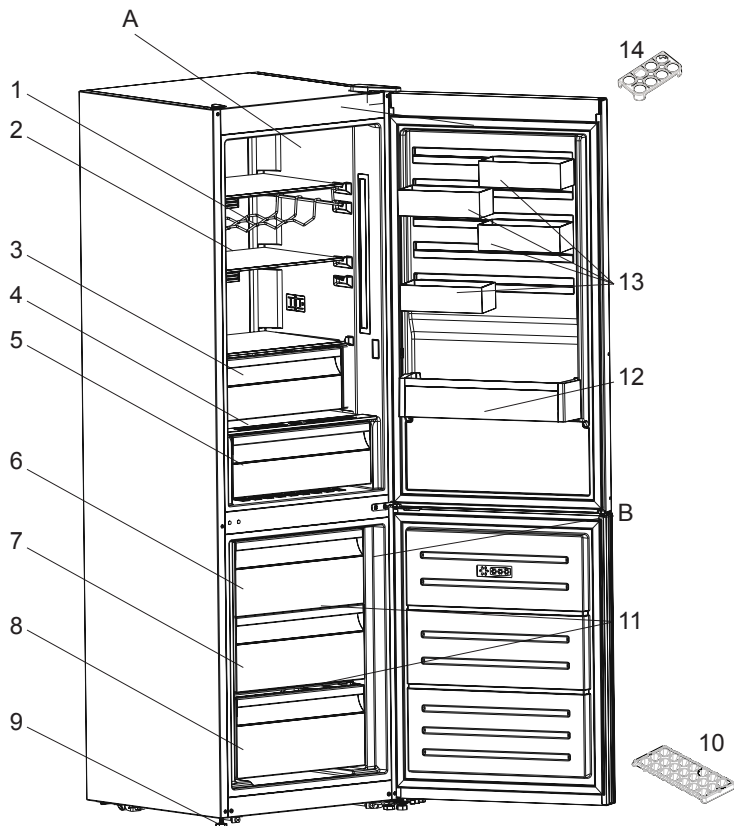
- Po náhlém výpadku napájení nebo po odpojení spotřebiče se aktivuje funkce ochrany kompresoru, protože plyn v chladícím systému ještě není stabilizovaný. To je zcela normální, chladnička se restartuje zhruba po 4 nebo 5 minutách.
- Pokud nebudete chladničku používat delší dobu (např. během dovolené), odpojte ji. Chladničku vyčistěte v souladu s pokyny v části 4 a nechte dveře otevřené, abyste tak zabránili hromadění vlhkosti a zápachu.
- Zakoupený spotřebič je určený do domácnosti a lze ho použít pouze v domácím prostředí a ke stanoveným účelům. Nehodí se pro komerční či hromadné použití. Pokud uživatel použije spotřebič způsobem, který je v rozporu s uvedenými funkcemi, zdůrazňujeme, že výrobce a prodejce nenesou zodpovědnost za žádnou opravu a selhání v rámci záručního období.
- Pokud problém přetrvává i poté, co jste postupovali podle výše uvedených pokynů, obraťte se na autorizovaný servis.

### **Tipy na šetření energie**

1. Spotřebič nainstalujte do chladné, dobře větrané místnosti, ale ne na přímé sluneční světlo ani do blízkosti zdroje tepla (radiátor, sporák, atd.). Jinak použijte izolační desku.
2. Horké potraviny a nápoje nechte před vložením do spotřebiče vychladnout.
3. Při rozmrazování vložte potraviny do chladničky. Nízká teplota zmrazených potravin pomůže zchladit prostor chladničky. Ušetříte tak energii. Je-li zmrazené jídlo rozmrazováno venku, je to plýtvání energií.
4. Nápoje musí být při vložení zakryté. V opačném případě se zvýší vlhkost ve spotřebiči. A vše bude trvat déle. Zakrytí nápojů rovněž pomáhá zachovat chuť a vůni.
5. Při vložení potravin a nápojů otevřete dveře spotřebiče na co nejkratší dobu.
6. Kryty různých částí ve spotřebiči ponechte uzavřené (crisper, chiller, atd.).
7. Těsnění dveří musí být čisté a tvárné. V případě opotřebení, je-li těsnění odnímatelné, vyměňte ho. Pokud těsnění není odnímatelné, musíte vyměnit dvířka.

8. Funkce Režim Eco / výchozí nastavení uchovává čerstvé a zmrazené potraviny a zároveň šetří energii.
9. Oddělení pro čerstvé potraviny (Chladnička): Neefektivnější využití energie je zajištěno při umístění zásuvek ve spodní části chladničky a rovnoměrném umístění polic, zatímco pozice košíků na dvířkách chladničky spotřebu energie neovlivňuje.
10. Oddělení pro zmrazené potraviny (Mraznička): Vnitřní konfigurace spotřebiče je taková, že zajišťuje neefektivnější využití energie.
11. Neodstraňujte akumulátory chladu z koše mrazničky (jsou-li součástí dodávky).

## ČÁST - 7. ČÁSTI SPOTŘEBIČE A PŘÍSLUŠENSTVÍ



Tato prezentace je pouze informativní a týká se součástí spotřebiče. Části se mohou lišit v závislosti na modelu.

A) Chladnička

B) Mraznička

1) Příhrádka na víno \*

2) Poličky v chladničce

3) Oddělení pro extra chlazení  
(Chladicí prostor) \*

4) Kryt prostoru pro čerstvé potraviny

5) Prostor pro čerstvé potraviny

6) Horní košík v mrazničce

7) Prostřední košík v mrazničce

8) Spodní košík v mrazničce

9) Nastavitelná nožička

10) Zásobník na led

11) Skleněná police mrazničky \*

12) Police na lahve

13) CustomFlex

14) Držák vajec

\* U některých modelů



## **ČÁST - 8. TECHNICKÉ ÚDAJE**

Technické údaje jsou uvedeny na typovém štítku uvnitř spotřebiče a na energetickém štítku. QR kód na energetickém štítku dodávaném se spotřebičem poskytuje webový odkaz na informace týkající se výkonu spotřebiče v databázi EU EPREL.

Uchovejte si energetický štítek pro referenční potřeby s návodem k použití a všemi ostatními dokumenty dodanými s tímto spotřebičem.

Rovněž lze tyto informace nalézt v databázi EPREL prostřednictvím odkazu <https://eprel.ec.europa.eu> a pomocí názvu modelu a výrobního čísla, které naleznete na typovém štítku spotřebiče.

Podrobné informace o energetickém štítku naleznete na adrese [www.theenergylabel.eu](http://www.theenergylabel.eu).

## **ČÁST - 9. INFORMACE PRO ZKUŠEBNÍ INSTITUTY**

Instalace a příprava tohoto spotřebiče pro jakékoliv ověřování EcoDesign musí vyhovovat normě EN 62552. Požadavky na větrání, rozměry výklenku a minimální vzdálenosti zadní části od stěn musí odpovídat hodnotám uvedeným v tomto návodu k použití v ČÁSTI 1. Ohledně dalších informací včetně plnicích plánů se obraťte na výrobce.



<b>SE</b>	<b>BRAND</b>	<b>Varning! Brandfara / brandfarligt material</b>
-----------	--------------	---

# INNEHÅLL

<b>INNAN DU ANVÄNDER APPARATEN .....</b>	<b>70</b>
Allmänna varningar .....	70
Säkerhetsvarningar .....	75
Inställning och användning av ditt kylskåp .....	76
Innan du använder ditt kylskåp.....	76
Dimensioner .....	77
<b>DE OLIKA FUNKTIONERNA OCH MÖJLIGHETERNA .....</b>	<b>78</b>
Information om den nya generationens kylteknik .....	78
Display och kontrollpanel .....	79
Använda kylen/frysén .....	79
Superfrysläge .....	79
Superkylläge .....	80
Ekonomiläge .....	80
Semesterläge .....	81
Dryckeskylningsläge .....	81
Skärmsläckarläge.....	82
Barnlåsets funktion.....	82
Temperaturinställningar .....	83
Temperaturinställningar för frys.....	83
Temperaturinställningar för kyl .....	83
Varningar om temperaturinställningar .....	84
Viktiga installationsanvisningar .....	84
Tillbehör .....	85
Is-kubsfack .....	85
Fryslåda .....	85
Extra kylfack.....	85
Fuktregulatorn .....	86
CustomFlex.....	86
<b>PLACERA MATEN I KYLEN .....</b>	<b>87</b>
Kylutrymme .....	87
Frysutrymme .....	87
<b>RENGÖRING OCH UNDERHÅLL .....</b>	<b>91</b>
Avfrostning .....	91
<b>TRANSPORT OCH FLYTTNING.....</b>	<b>92</b>
Ompositionering av dörren.....	92

<b>INNAN DU KALLAR PÅ SERVICE EFTER FÖRSÄLJNING .....</b>	<b>92</b>
Tips för energisparande.....	95
<b>DELARNA I KYLSKÅPET OCH FACKEN .....</b>	<b>96</b>
<b>TEKNISKA DATA .....</b>	<b>97</b>
<b>INFORMATION FÖR TESTINSTITUT .....</b>	<b>97</b>

## FÖR PERFEKTA RESULTAT

Tack för att du har valt denna AEG-produkt. Vi har skapat den för att ge dig perfekt prestanda under många år, med innovativa tekniker som hjälper till att göra livet enklare - funktioner du kanske inte hittar på vanliga enheter. Lägg några minuter på att läsa detta för att få ut mesta möjliga av den.

Besök vår webbplats på:



Få användningsråd, broschyrer, felsökning, service och reparationsinformation:

**[www.aeg.com/support](http://www.aeg.com/support)**



Registrera din produkt för bättre service:

**[www.registeraeg.com](http://www.registeraeg.com)**



Köp tillbehör, förbrukningsvaror och originaldelar till din apparat:

**[www.aeg.com/shop](http://www.aeg.com/shop)**

## KUNDVÅRD OCH SERVICE

Använd alltid endast originaldelar.

När du kontakter vårt auktoriserade servicecenter, se till att du har följande information tillgänglig: Modell, PNC, serienummer.

Informationen finns på typskylten.

 Varning / Försiktighet - säkerhetsinformation

 Allmän information och tips

 Miljöinformation

Kan ändras utan föregående meddelande.

## **DEL - 1** INNAN DU ANVÄNDER APPARATEN

### **Allmänna varningar**

Läs igenom bruksanvisningen noga innan du installerar och använder apparaten. Vi är inte ansvariga för de skador som uppstått på grund av felaktig användning.

Följ alla instruktioner på apparaten och bruksanvisningen och förvara bruksanvisningen på en säker plats för att lösa de problem som kan uppstå i framtiden.

Denna apparat är inte avsedd att användas som en inbyggd apparat.

Om det på grund av olika skäl inte går att få rätt ventilation, kommer produkten att fungera korrekt men energiförbrukningen kan öka något.

**! VARNING:** Håll ventilationsöppningarna, i apparatens hölje eller i den inbyggda struktur, fria från hinder.

**! VARNING:** Använd inte mekaniska enheter eller andra sätt att påskynda avfrostningsprocessen, än de som rekommenderas av tillverkaren.


**! VARNING:** Använd inte elektrisk utrustning i kylens matförvaringsdel, om den inte är av den typ som rekommenderas av tillverkaren.

**! VARNING:** Skada inte kylkretsen.

**! VARNING:** När du positionerar apparaten ser du till att sladden inte är klämd eller skadad.

**! VARNING:** Anslut inte flera bärbara uttag eller bärbara nätaggregat på baksidan av apparaten.

**! VARNING:** För att undvika fara på grund av instabilitet i apparaten, måste den fastställas i enlighet med instruktionerna.

 Om din apparat använder R600a som köldmedium - du kan få denna information från etiketten på kylaren - bör du vara försiktig under transport och montage för att förhindra att apparatens kylningsdelar från att skadas. Även om R600a är en miljövänlig och naturlig gas, eftersom den är explosivt, bör du, i händelse av ett läckage som kan ha uppstått på grund av en skada i kylningsdelarna, flytta ditt kylskåp utom räckhåll för öppen eld eller värmekällor och ventiler rummet där apparaten är placerad några minuter.

- Håll allt förpackningsmaterial borta från barn och kassera på lämpligt sätt.
- Under transport och positionering av kylskåpet, undvik skador på kylargaskretsen.
- Förvara inga explosiva ämnen såsom aerosolburkar med en brandfarlig drivgas i denna apparat.
- Denna apparat är avsedd för användning i hushåll och liknande applikationer såsom;
  - personalköksområden i butiker, kontor och andra arbetsplatser
  - bondgårdar och av kunder på hotell, motell och andra typer av bostäder
  - bed and breakfast bostäder;
  - catering och liknande icke-butiksapplikationer,
- Om uttaget inte matchar kylskåpskontakten, måste den bytas ut av tillverkaren, dess serviceombud eller liknande kvalificerade personer för att undvika fara.
- En speciellt jordad kontakt har anslutits till ditt kylskåps strömkabel. Denna kontakt ska användas med ett speciellt jordat uttag på 16 ampere eller 10 ampere beroende på det land där produkten kommer att säljas. Om det inte finns något sådant uttag i ditt hus, se till att det installeras av en behörig elektriker.

- Denna apparat kan användas av barn från 8 år och uppåt och personer med nedsatt fysisk eller mental förmåga eller brist på erfarenhet och kunskap, om de övervakas eller får instruktioner angående användning av apparaten på ett säkert sätt och förstår faran den innebär. Låt inte barn leka med enheten. Rengöring och användarunderhåll, får inte utföras av barn utan tillsyn.
- Barn i åldrarna 3 till 8 år får fylla upp och ta ur kylskåp. Barn förväntas inte utföra rengöring eller användarunderhåll av apparaten, mycket små barn (0-3 år) förväntas inte använda apparater, små barn (3-8 år) förväntas inte använda apparater säkert om inte kontinuerlig tillsyn ges, äldre barn (8-14 år) och sårbara människor kan använda apparater på ett säkert sätt efter att ha fått lämplig tillsyn eller instruktioner om användning av apparaten. Mycket sårbara människor förväntas inte använda apparater på ett säkert sätt om inte kontinuerlig tillsyn ges.
- Om sladden är skadad, måste den bytas ut av tillverkaren, dess serviceombud eller liknande kvalificerade personer för att undvika fara.
- Denna apparat är inte avsedd att användas på höjder över 2000 m.



## **För att undvika kontamination av mat, följ följande instruktioner:**

- Att hålla dörren öppen under långa perioder kan orsaka en signifikant ökning av temperaturen i apparatens fack.
- Rengör regelbundet ytor som kan komma i kontakt med mat och tillgängliga avloppssystem.
- Förvara rått kött och rå fisk i lämpliga behållare i kylskåpet, så att det inte kommer i kontakt med eller droppar på annan mat.
- Tvåstjärniga fack för fryst mat är lämpliga för förvaring av förfrysad mat, förvaring eller tillagning av glass och för att göra iskuber.
- En-, två- och tre-stjärniga fack är inte lämpliga för infrysning av färsk mat.
- Om kylaggregatet lämnas tomt under långa perioder, stäng av det, frosta av, rengör, torka och låt dörren stå öppen för att förhindra mögelutveckling i apparaten.

## Service

- Kontakta auktoriserat servicecenter för reparation av apparaten. Använd endast originaldelar.
- Observera att reparation på egen hand eller icke-professionell reparation kan ha säkerhetsmässiga konsekvenser och kan upphäva garantin.
- Följande reservdelar kommer att finnas tillgängliga i sju år efter att modellen har slutat tillverkas: termostater, temperatursensorer, kretskort, ljuskällor, dörrhandtag, dörrgångjärn, brickor och korgar.
- Observera att vissa av dessa reservdelar endast är tillgängliga för professionella reparatörer och att inte alla reservdelar är relevanta för alla modeller.
- Dörrpackningar kommer att finnas tillgängliga i tio år efter att modellen har slutat att tillverkas.

## Kylskåp som är gamla eller i olag

- Om ditt gamla kylskåp har ett lås, bryt eller ta bort låset innan du slänger det, eftersom barn bli instängda och det kan orsaka en olycka.
- Gamla kylar och frysar innehåller isoleringsmaterial och köldmedium med CFC. Se därför till att inte skada miljön när du kasserar ditt gamla kylskåp.

## Avyttring av din gamla apparat



Symbolen på produkten eller på förpackningen indikerar att denna produkt inte får behandlas som hushållsavfall. Istället ska den överlämnas till ett tillämpligt insamlingsställe för återvinning av elektrisk och elektronisk utrustning. Genom att säkerställa att denna produkt bortskaffas på rätt sätt kommer du att bidra till att förhindra potentiella negativa konsekvenser för miljön och människors hälsa, vilket annars skulle kunna orsakas av olämplig avfallshantering av denna produkt. För mer detaljerad information om återvinning av denna produkt, vänligen kontakta ditt lokala stadskontor, din hushållsavfallstjänst eller återförsäljaren där du köpte produkten.

## Observera:

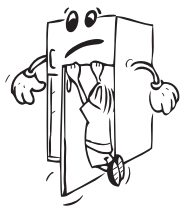
- Denna apparat är gjord för att kunna användas i hus och den kan bara användas i hus och för avsedda ändamål. Den är inte lämplig för kommersiellt eller gemensamt bruk. Sådan användning medför att garantin på apparaten ska annulleras och att vårt företag inte är ansvarigt för de förluster som har inträffat.
- Denna apparat är gjord för att kunna användas i hus och den passar bara för kylning / förvaring av mat. Den är inte lämplig för kommersiellt eller gemensamt bruk och/eller för förvaring av ämnen förutom mat. Vårt företag är inte ansvarigt för de förluster som uppstått i motsatta fall.

## Säkerhetsvarningar

- Använd inte fleruttag eller förlängningssladd.
- Anslut inte skadade, trasiga eller gamla pluggar.
- Dra inte i, böj inte och skada inte sladden.



- Använd inte en adapter.
- Den här apparaten är avsedd att användas av vuxna, låt inte barn leka med apparaten eller hänga över dörren.
- Sätt inte in och dra inte ut kontakten ur uttaget med våta händer för att undvika elektrisk stöt!
- Placera inte glasflaskor eller dryckesburkar i frysavdelningen. Flaskor och burkar kan explodera.
- Placera inte explosivt eller brandfarligt material i ditt kylskåp för din säkerhet. Placera drycker med högre alkoholhalt vertikalt och stäng dem tätt i kylavdelningen.
- När du tar is från frysavdelningen, rör det inte, is kan orsaka is-brännskador och / eller nedskärningar.



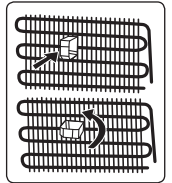
- Rör inte frusen mat med våta händer! Ät inte glass och isbitar direkt efter att du tagit dem ur frysavdelningen!
- Frys inte frysta varor igen efter att ha de har smält. Detta kan orsaka hälsoproblem som matförgiftning.
- Täck inte kylskåpet eller dess övre del med spets. Detta påverkar ditt kylskåps prestanda.
- Fäst tillbehören i kylskåpet under transport för att undvika skador på tillbehören.



## Inställning och användning av ditt kylskåp

*Innan du börjar använda ditt kylskåp, bör du uppmärksamma följande punkter:*

- Driftspänningen för ditt kylskåp är av 220-240 V vid 50 Hz
- Vi tar inte ansvar för de skador som uppstår på grund av ojordad användning.
- Placera kylskåpet på en plats där det inte utsätts för direkt solljus.
- Apparaten bör vara minst 50 cm från spisar, gasugnar och värmekärnor, och bör vara minst 5 cm från elektriska ugnar.
- Ditt kylskåp bör aldrig användas utomhus eller lämnas under regn.
- Placera ingenting på ditt kylskåp, och installera kylskåpet på en lämplig plats, så att minst 15 cm tom plats finns på ovasidan.
- De justerbara frambenen ska stabiliseras på en lämplig höjd så att kylskåpet står på ett stabilt och korrekt sätt. Du kan justera benen genom att vrida dem medurs (eller i motsatt riktning). Detta bör göras innan du placerar mat i kylskåpet.
- Innan du använder ditt kylskåp, torka av alla delar med varmt vatten som tillsätts med en tesked natriumbikarbonat, och skölj sedan med rent vatten och torka. Placera alla delar efter rengöring.
- Montera avståndsjusteringsplasten (delen med svarta skövlar baktill) genom att vrida den i 90°, såsom visas på figuren, för att förhindra kondensorn att vidröra väggen.
- Avståndet mellan apparaten och bakväggen måste vara minst 42 mm och maximalt 75 mm.



## Innan du använder ditt kylskåp

- När det används för första gången eller efter transport, ställ ditt kylskåp i upprätt läge i 3 timmar och koppla in det för att möjliggöra effektiv drift. Annars kan du skada kompressorn.
- Ditt kylskåp kan lukta när det används för första gången; lukten kommer att blekna bort när kylskåpet börjar kyla.



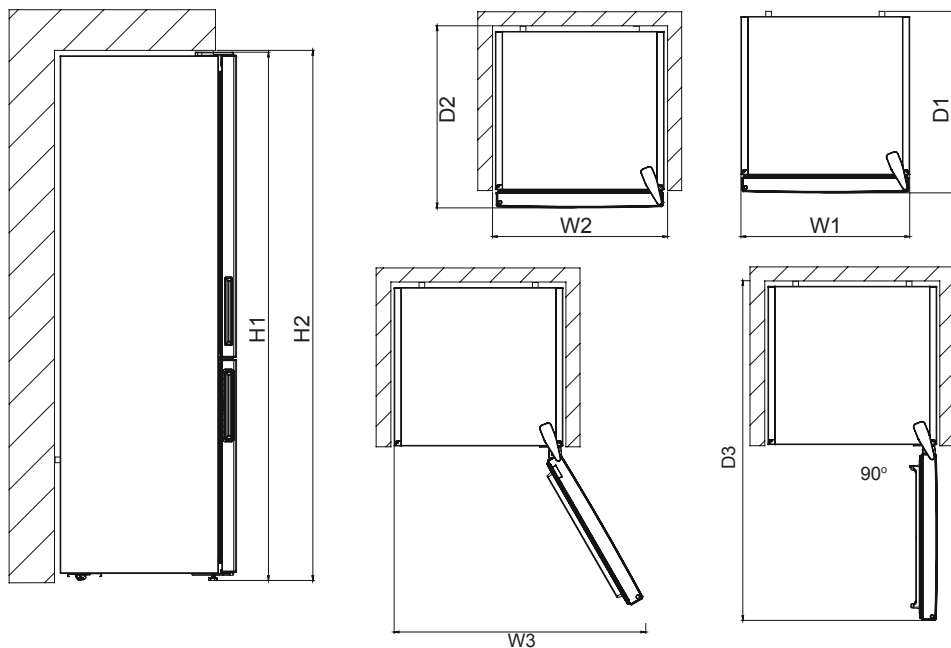
## Intern belysning



**VARNING!**  
Risk för elstötar.

- När det gäller lamporna denna produkt och reservdelslampor som säljs separat: Dessa lampor är avsedda att tåla extrema fysiska förhållanden i hushållsapparater, såsom temperatur, vibration, fuktighet eller är avsedda att signalera information om apparatens driftstatus. De är inte avsedda att användas i andra applikationer och är inte lämpliga för hushållsbelysning.

## Dimensioner



Generella dimensioner <sup>1</sup>		
H1	mm	1860
W1	mm	595
D1	mm	650

<sup>1</sup> apparatens höjd, bredd och djup, utan handtaget

Utrymme som krävs vid användning <sup>2</sup>		
H2	mm	1900
W2	mm	600
D2	mm	718

<sup>2</sup> apparatens höjd, bredd och djup inklusive handtaget, plus det utrymme som krävs för fri cirkulation av kyl Luft

Totalt utrymme som krävs vid användning <sup>3</sup>		
W3	mm	917
D3	mm	1158

<sup>3</sup> apparatens höjd, bredd och djup inklusive handtaget, plus det utrymme som krävs för fri cirkulation av kyl Luft, plus det utrymme som krävs för att låta luckan öppnas till den minsta vinkel som möjliggör borttagande av all intern utrustning

## DEL - 2 DE OLIKA FUNKTIONERNA OCH MÖJLIGHETERNA

### Information om den nya generationens kylteknik

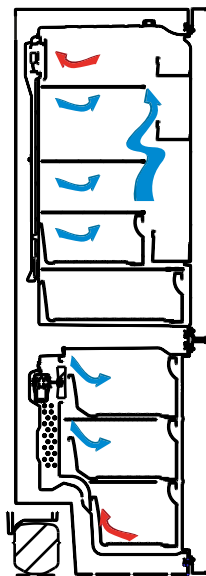
Kyl och frysar med den nya generationens kylteknik har ett annat driftssystem än statiska kyl och frysar. I normala kyl och frysar, förvandlas fuktig luft som kommer in i frysen och vattenångan som kommer från livsmedlen, till frost i frysutrymmet. För att smälta denna frost, med andra ord avfrostning, måste kylen vara fränkopplad. För att hålla livsmedlen kalla under avfrostningsperioden, måste användaren lagra livsmedlen på annat håll och användaren måste ta bort återstående is och ackumulerad frost.

Situationen är helt annorlunda i frysutrymmen som är utrustade med den nya generationens kylteknik. Med hjälp av fläkten, blåses kall och torr luft som genom frysutrymmet. Som en följd av den kalla luften som blåses lätt genom hela utrymmet - även i utrymmena mellan hyllorna - fryses livsmedel jämnt och korrekt. Och det blir ingen frost.

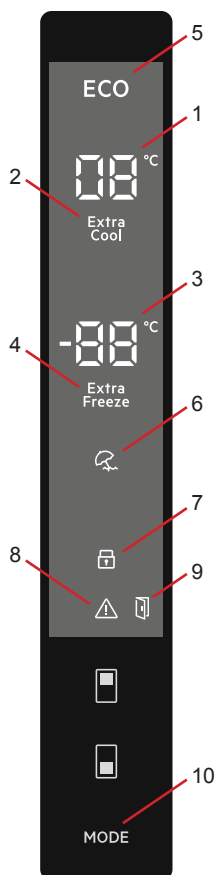
Konfigurationen i kylutrymmet kommer att vara nästan samma som frysutrymmet. Luften från fläkten som finns i toppen av kylutrymmet kyls samtidigt som den passerar genom mellanrummet bakom luftkanalen. Samtidigt blåses luft ut genom hålen på luftkanalen, så att kylningsprocessen slutförs i kylutrymmet. Hålen på luftkanalen är utformade för jämn luftfördelning över hela utrymmet.

Eftersom ingen luft passerar mellan frysen och kylutrymmet kommer lukter inte blandas.

Som ett resultat, din kyl med den nya generationens kylteknik är enkel att använda och den ger dig en tillgång till en enorm volym och estetiskt utseende.



## Display och kontrollpanel



### Använda kontrollpanelen

1. Den är kylens skärm för inställning av värden.
2. Det är superkylindikatorn.
3. Den är frysens skärm för inställning av värden.
4. Det är superfrysindikatorn.
5. Det är ekonomilägessymbolen.
6. Det är semesterlägessymbolen.
7. Det är barnlåssymbolen.
8. Det är larmsymbolen.
9. Det är larmfunktion för öppen dörr.
10. Den gör att lägena (ekonomi, semester...) kan aktiveras om så önskas.

### Ljus (i förekommande fall)

När produkten ansluts för första gången kan interiörens lampor tändas 1 minut sent på grund av öppningstester.

## Använda kylan/frysens

### Superfrysläge

#### Ändamål

- Fryser in en stor mängd mat som inte får plats på hyllan för snabbfrysning.
- Fryser in tillagade livsmedel.
- Fryser snabbt in färsk mat för att bevara fräschheten.

#### Hur skulle det kunna användas?

Tryck på frysinställningsknappen tills Superfryssymbolen kommer att synas på skärmen. Summern kommer att låta pip pip. Läget kommer att ställas in.

#### Under det här läget:

- Kylens temperatur och superkylsläget kan justeras. I detta fall fortsätter superfrysläget.
- Ekonomi- och Semesterläge kan inte väljas.
- Superfrysläget kan avbrytas av samma funktion som vid valet.



## Obs:

- Se på klassificeringsetiketten för att visa maximal fryskapacitet (kg) för en 24 timmars period.
- Vid maximal kapacitet är det bäst att ställa in enheten i Superfrysläge 3 timmar innan du förvarar livsmedel i den.
- Ett ljudlarm hörs när optimal frystemperatur uppnåtts.



"Superfrys"-läge kommer automatiskt att annulleras efter 24 timmar eller när fryssensorttemperaturen sjunker under  $-32^{\circ}\text{C}$ .

## Superkylläge

### Ändamål

- Används när en stor mängd livsmedel ska kylas ned och lagras i kylskåpsdelen.
- För snabb kylning av drycker.

### Hur skulle det kunna användas?

Tryck på kylinställningsknappen tills Superkylsymbolen kommer att synas på skärmen. Summern kommer att låta pip pip. Läget kommer att ställas in.

### Under det här läget:

- Frysens temperatur och superfrysläget kan justeras. I detta fall fortsätter superfrysläget.
- Ekonomi- och Semesterläge kan inte väljas.
- Superkylläget kan avbrytas av samma funktion som vid valet.



## Ekonomiläge

### Ändamål

Spar energi. När enheten inte används så ofta (dvs. dörren öppnas inte) eller när du inte är hemma, t.ex. under semestern, kan ekonomiprogrammet spara energi samtidigt som temperaturen hålls på optimal nivå.

### Hur skulle det kunna användas?

- Tryck på "lägesknappen" tills eco-symbolen visas.
- Om ingen knapp trycks in under en sekund. Läget kommer att ställas in. Eco-symbolen kommer att blinka 3 gånger. När läget är inställt, kommer summern att låta pip pip.
- Frys- och kyltemperatursegmenten kommer att visa "E".
- Ekonomisymbolen och E kommer att lysa tills läget avslutas.

### Under det här läget:

- Frysningen kan justeras. När ekonomiläget avbryts, fortsätter de valda inställningsvärdena.
- Kylen kan justeras. När ekonomiläget avbryts, fortsätter de valda inställningsvärdena.
- Lägena Superkyl och Superfrys kan väljas. Ekonomiläget avbryts automatiskt och det valda läget aktiveras.
- Semesterläge kan väljas efter avbrytande av ekonomiläget. Sedan aktiveras det valda läget.
- För att avbryta behöver du bara trycka på knappen läge.





## Semesterläge

### Hur skulle det kunna användas?

- Tryck på "lägesknappen" tills semestersymbolen visas.
- Om ingen knapp trycks in under en sekund. Läget kommer att ställas in. Semestersymbolen kommer att blinka 3 gånger. När läget är inställt, kommer summern att låta pip pip.
- Kyltemperatursegmentet kommer att visa "--".
- Semestersymbolen och "--" kommer att lysa tills läget avslutas.

### Under det här läget:

- Frysens kan justeras. När semesterläget avbryts, fortsätter de valda inställningsvärdena.
- Kylan kan justeras. När semesterläget avbryts, fortsätter de valda inställningsvärdena.
- Lägena Superkyl och Superfrys kan väljas. Semesterläget avbryts automatiskt och det valda läget aktiveras.
- Ekonomiläge kan väljas efter avbrytande av semesterläget. Sedan aktiveras det valda läget.
- För att avbryta behöver du bara trycka på knappen läge.



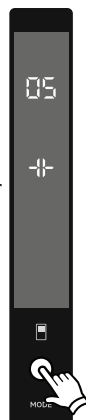
## Dryckeskylningsläge

### När skulle det behöva användas?

Detta läge används för att kyla dryckerna inom en justerbar tid.

### Hur skulle det kunna användas?

- Tryck på frysknappen i 3 sekunder.
- Special animering startar på frysens skärm för värdesintällning och 05 kommer att blinka på kylens skärm för värdesinställning.
- Tryck på kylknappen för att justera tiden (05 - 10 - 15 - 20 - 25 - 30 minuter).
- När du väljer tiden blinkar siffrorna 3 gånger på skärmen och summertonen hörs.
- Om ingen knapp trycks in inom 2 sekunder ställs tiden in.
- Nedräkningen börjar från den inställda tiden minut för minut.
- Återstående tid blinkar på skärmen.
- För att avbryta detta läge tryck på frysinställningsknappen i 3 sekunder.



## Skärmläckarläge

### Ändamål

Det här läget spar energi genom att all belysning på kontrollpanelen stängs av när panelen inte används.

### Användning

- Skärmläckarläget aktiveras automatiskt efter 30 sekunder.
- Om du trycker på en knapp när kontrollpanelens belysning är avstängd visas maskinens aktuella inställningar på skärmen så att du kan göra ändringar om du vill.
- Om du inte avbryter skärmläckarläget eller trycker på en knapp på 30 sekunder förblir kontrollpanelen avstängd.

### Inaktivera skärmläckarläge

- När du vill avbryta skärmläckarläget måste du först trycka på en knapp för att aktivera knapparna och sedan hålla lägesknappen intryckt i 3 sekunder.
- Om du vill aktivera skärmläckarläget igen håller du lägesknappen intryckt i 3 sekunder.

### Barnlåsets funktion

#### När skulle det behöva användas?

För att förhindra att barn leker med knapparna och ändrar de inställningar som du har gjort, finns barnlåset i enheten.

#### Aktivera barnlåset

Tryck på knapparna Frys och Kyl samtidigt i 5 sekunder.

#### Avaktivera barnlåset

Tryck på knapparna Frys och Kyl samtidigt i 5 sekunder.



**Obs:** Barnlåset kommer också att avaktiveras om strömmen bryts eller kylan är urkopplad.



### Larmfunktion för öppen dörr

Om dörren till kylskåpet är öppen i över 2 minuter kommer apparaten att börja pipa och symbolen för öppen dörr kommer tändas.



## Temperaturinställningar

### Temperaturinställningar för frys

- Initialt temperaturvärde för frysinställningsindikatorn är -18 °C.
- Tryck på frysinställningsknappen en gång.
- När du trycker på den här knappen blinkar det senast inställda värdet på skärmen.
- När du trycker på denna knapp kommer temperaturen att minska på motsvarande sätt.
- När du trycker på knappen frysinställning tills Superfrysymbolen visas, och om du inte trycker på någon knapp under 1 sekund, kommer Superfrysymbolen att blinka.
- Om du fortsätter att trycka, kommer den att starta om från -16 °C.
- Temperaturvärdet som valts innan Semesterläge, Superfrysläge, Superkylläge eller Ekonomiläge aktiverats förblir detsamma när läget är över eller annulleras. Enheten fortsätter att arbeta med detta temperaturvärde.



### Temperaturinställningar för kyl

- Initialt temperaturvärde för kylinställningsindikatorn är +4 °C.
- Tryck på kylknappen en gång.
- När du först trycker på knappen, visas det senaste värdet på inställningsindikatorn för kylan.
- När du trycker på denna knapp kommer temperaturen att minska på motsvarande sätt.
- När du trycker på knappen kylinställning tills Superkylsymbolen visas, och om du inte trycker på någon knapp under 1 sekund, kommer Superkylsymbolen att blinka.
- Om du fortsätter att trycka, kommer den att starta om från +8 °C.
- Temperaturvärdet som valts innan Semesterläge, Superfrysläge, Superkylläge eller Ekonomiläge aktiverats förblir detsamma när läget är över eller annulleras. Enheten fortsätter att arbeta med detta temperaturvärde.



### Rekommenderade inställningar för frys- och kylfackstemperatur

Frysack	Kylfack	Anmärkingar
-18 °C	4 °C	För regelbunden användning och bästa prestanda.
-20 °C, -22 °C eller -24 °C	4 °C	Rekommenderas då omgivningstemperaturen överstiger 30 °C.
Superfrysningläge	4 °C	Måste användas när du vill frysa mat på kort tid.
-18 °C, -20 °C, -22 °C eller -24 °C	2 °C	Dessa temperaturinställningar måste användas när den omgivande temperaturen är hög eller om du tror att kylskåpet inte är tillräckligt kallt på grund av att dörren öppnas ofta.

## Varningar om temperaturinställningar

- Det rekommenderas inte att du använder ditt kylskåp i miljöer kallare än 10°C gällande effektivitet.
- Temperaturjusteringar bör göras enligt frekvensen av dörröppningar och mängden livsmedel som förvaras i kylskåpet.
- Du bör inte gå över till en annan justering innan du slutför en justering.
- Ditt kylskåp bör drivas upp till 24 timmar beroende på omgivningstemperaturen, utan avbrott efter att ha inkopplats tills dess har svalnat helt. Öppna inte kylskåpsdörrarna ofta och placera inte mycket mat i kylskåpet under denna period.
- En 5 minuters fördröjningsfunktion används för att förhindra skador på kompressorn i kylskåpet, när du tar ut kontakten och kopplar sedan in den igen för att använda den eller när ett elavbrott sker. Ditt kylskåp börjar fungera normalt igen efter 5 minuter.
- Ditt kylskåp är tänkt för att fungera i omgivningstemperaturintervallerna som anges i standarderna, i enlighet med den klimatklass som anges i informationsetiketten. Vi rekommenderar inte att använda ditt kylskåp utom angivna temperatur-värdegränser när det gäller kylningseffektivitet.
- Apparaten är utformad för att användas vid en omgivningstemperatur inom intervallen 10 °C - 43 °C.

Klimatklass	Betydelse	Omgivningstemperatur
T	Tropiskt	Denna kylskåpsenhet är avsedd att användas vid omgivningstemperaturer från 16 °C till 43 °C.
ST	Subtropiskt	Denna kylskåpsenhet är avsedd att användas vid omgivningstemperaturer från 16 °C till 38 °C.
N	Tempererat	Denna kylskåpsenhet är avsedd att användas vid omgivningstemperaturer från 16 °C till 32 °C.
SN	Utökad tempererad	Denna kylskåpsenhet är avsedd att användas vid omgivningstemperaturer från 10 °C till 32 °C.

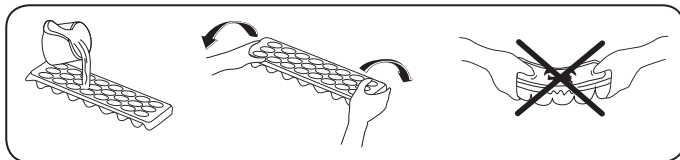
### Viktiga installationsanvisningar

Denna apparat är konstruerad för att arbeta under svåra klimatförhållanden (upp till 43 °C) och är utrustad med "frys-sköld"-teknik som säkerställer att frysta livsmedel i frysen inte tinas även om omgivningstemperaturen blir så låg som -15 °C. Så du kan installera din apparat utan att oroa dig för att frysta livsmedel i frysen förstörs. När den omgivande temperaturen återgått till den normala kan apparaten användas som normalt.

## Tillbehör

### Is-kubsfack

- Öppna frysskåpet och ta fram is-kubsfacket.
- Fyll isbrickan med vatten och placera i frysskåpet.



### Fryslåda

Fryslådan tillåter att livsmedel bevaras mer regelbundet.

#### Ta bort fryslådan;

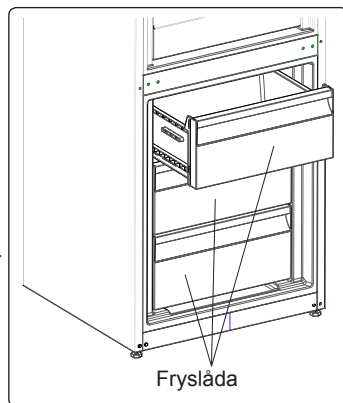
- Dra ut den så långt som möjligt
- Dra ut den främre delen av lådan uppåt och utåt.



Gör samma operation omvänt för att återställa glidfacket.



**Observera:** Håll alltid handtaget på lådan när du drar ut den.

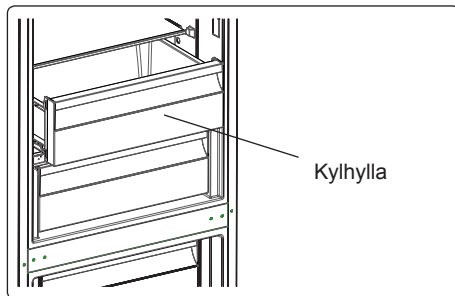


### Extra kylfack (I vissa modeller)

Idealiskt för att bevara smaken och texturen på kallskuret och ost. Utdragslådan säkerställer en miljö med en lägre temperatur jämfört med resten av kylen, tack vare den aktiva cirkulationen av kall luft.

#### Att ta bort grönsaksutrymmeshyllan

- Dra grönsaksutrymmeshyllan ut mot dig genom att skjuta den på spåren.
- Dra upp grönsaksutrymmeshyllan från spåret för att ta bort den.

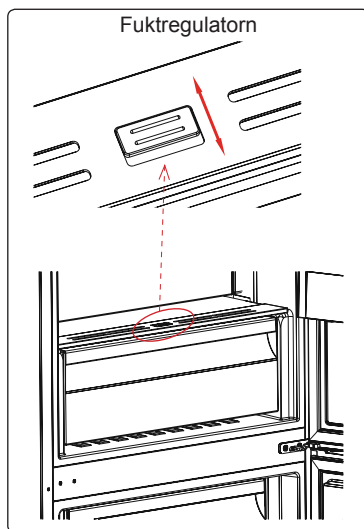


### **Fuktregulatorn (I vissa modeller)**

När fuktregulatorn är i stängt läge kan färsk frukt och grönsaker förvaras längre.

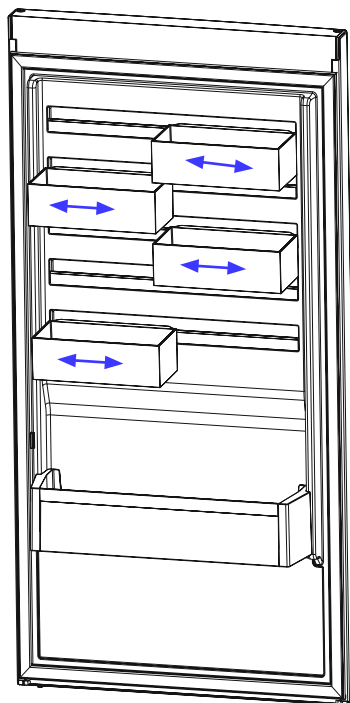
Om grönsaksförvaringsutrymmet är helt fullt bör fräschhetsratten på framsidan av grönsaksförvaringsutrymmet öppnas. Med hjälp av detta kommer luften i utrymmet och fuktighetshalten att kontrolleras och hållbarhetstiden kommer att ökas.

Om du ser någon kondens på glashyllan, kan du ställa in fuktregleringskontrollen i öppet läge.



### **CustomFlex (I vissa modeller)**


CustomFlex® ger dig friheten att anpassa utrymmet i ditt kylskåp. På insidan av dörren finns en förvaringsbehållare och mobila behållare, så att du kan skräddarsy utrymmet efter dina behov. Behållarna är till och med borttagbara, så att du kan ta bort dem från kylen för enkel åtkomst.




**Bilder och textbeskrivningar i avsnittet tillbehör kan variera i enlighet med modellen av din apparat.**

## DEL - 3 PLACERA MATEN I KYLEN


### Kylutrymme

- Facket för färsk mat är det som är märkt (på typskylten) med .
- För att minska luftfuktigheten och därav följande ökning av frost placera aldrig vätskor i oförseglade behållare i kylan. Frost tenderar att koncentreras till de kallaste delarna av förångaren och kommer med tiden att kräva mer frekvent avfrostning.
- Placera aldrig varm mat i kylan. Varm mat ska svalna vid rumstemperatur och bör arrangeras för att säkerställa tillräcklig luftcirkulation i kylutrymmet.
- Ingenting bör beröra den bakre väggen eftersom det orsakar frost och paketen kan fastna på den bakre väggen. Öppna inte kylskåpsdörren alltför ofta.
- Arrangera kött och rensad fisk (insvept i förpackningar eller plastfilm) som du kommer att använda i 1-2 dagar, i den nedre delen av kylutrymmet (som ligger över grönsaksförvaringsutrymmet) eftersom det är den kallaste delen och kommer att säkerställa bästa förvaringsförhållanden.
- Du kan placera frukt och grönsaker i grönsaksförvaringsutrymmet utan förpackning.

 **OBS:** Mest effektiv energianvändning säkerställs i konfigurationen med lådorna i apparatens nedre del, och hyllorna jämnt fördelade, placering av dörrfack påverkar inte energiförbrukningen.

Livsmedel	Largingstid	Var den ska placeras i kyldelen
<b>Grönsaker och frukt:</b>	1 vecka	Grönsakslådan (utan att vara förpackad)
<b>Kött och fisk</b>	2 - 3 dagar	Inlindade i plastfolie, i plastpåsar eller köttförpackning (på glashyllan)
<b>Färskost</b>	3 - 4 dagar	I specialhyllan i dörren
<b>Smör och margarin</b>	1 vecka	I specialhyllan i dörren
<b>Produkter i flaska Mjök och yoghurt</b>	Tills utgångsdatumet rekommenderat av producenten	I specialhyllan i dörren
<b>Ägg</b>	1 månad	I ägghyllan
<b>Lagad mat</b>	2 dagar	Alla hyllor

### Frysutrymme

- Frysacket är det som är märkt med .
- Använd frysutrymmet i ditt kylskåp för förvaring av frysta livsmedel för en lång tid och för framställning av is.
- För att få maximal kapacitet för frysutrymmet, använd bara glashyllorna för övre och mellersta delen. För bottensektionen, använd underkorgen.
- Placera inte mat du skall frysa in i närheten av redan frusen mat.
- Du bör frysa maten som ska frysas (kött, köttfärs, fisk etc.) genom att dela in dem i delar på ett sådant sätt att de kan konsumeras en gång.

- Återfrys inte den frysta maten när den tinats. Det kan innebära en fara för din hälsa eftersom det kan orsaka problem som matförgiftning.
- Placera inte varma rätter i frysen innan de blir kalla. Det kan orsaka andra livsmedel frysa på förhand i frysen att ruttna.
- När du köper fryst mat, se till att de frystes under lämpliga förhållanden och att förpackningen inte är sönder.
- När du förvarar frusen mat bör förvaringsförhållandena på förpackningen absolut följas. Om det inte finns någon förklaring bör maten konsumeras på kortast möjliga tid.
- Om det har kommit fukt i den frysta matförpackningen och det luktar illa kan maten ha lagrats under olämpliga förhållanden tidigare och ruttnat. Köp inte den här typen av livsmedel!
- Förvaringstider för frysta livsmedel ändras beroende på den omgivande temperaturen, frekvent öppning och stängning av dörrarna, termostatinställningar, typ av mat och den tid som förflutit från inköpstiden för maten till den tidpunkt då den placeras i frysen. Följ alltid anvisningarna på förpackningen och överskrid aldrig den angivna förvaringstiden.
- Observera att; om du vill öppna igen omedelbart efter att du stängt frysdörren, kommer den inte att öppnas lätt. Det är helt normalt! Efter att det uppnått jämviktsförhållande, kommer dörren att öppnas lätt.

#### Viktig anmärkning:

- Frysa livsmedel, när de tinats upp, bör tillagas precis som färskvaror. Om de inte tillagas efter att ha tinats upp får de ALDRIG frysas in igen.
- Smaken av vissa kryddor som finns i tillagade rätter (anis, basilika, vattenkrasse, vinäger, diverse kryddor, ingefära, vitlök, lök, senap, timjan, mejram, svartpeppar, etc.) förändras och de antar en stark smak när de förvaras under en lång period. Därför, lägg bara till en liten mängd kryddor om du planerar att frysa in, eller så bör önskad krydda läggas till efter att maten har tinats.
- Förvaringsperioden för mat är beroende av den olja som används. Lämpliga oljor är margarin, kalvfett, olivolja och smör och olämpliga oljor är jordnötsolja och grisfett.
- Livsmedel i flytande form bör frysas i plastskålar och annan mat bör frysas i plastfolie eller plastpåsar.

Kött och fisk	Förberedelse	Lagringstid (månader)	Tiningsperiod i rumstemperatur (timmar)
Stek	I plastfolie	6-10	1-2
Lammkött	I plastfolie	6-8	1-2
Kalvstek	I plastfolie	6-10	1-2
Tärnat kalvkött	I små bitar	6-10	1-2
Lam i bitar	I bitar	4-8	2-3
Köttfärs	I förpackning utan kryddor	1-3	2-3
Inälvsmat (bitar)	I bitar	1-3	1-2
Prickig korv/salami	Ska förpackas även om de har skinn		Tills den är tinad
Kyckling och kalkon	I plastfolie	7-8	10-12



Kött och fisk	Förberedelse	Lagringstid (månader)	Tiningsperiod i rumstemperatur (timmar)
Gås och anka	I plastfolie	4-8	10
Rådjur, kanin, vildsvin	i portioner på 2,5 kg och som filéer	9-12	10-12
Färskvattensfisk (lax, karp, mal)	Efter att ha fjällat och rensat fisken, tvätta och torka den; och, om så behövs, skär av fenor och huvud.	2	Enheten är helt tinad
Mager fisk; abborre, piggar, flundra		4-8	Enheten är helt tinad
Fet fisk (tonfisk, makrill, lax, ansjovis)		2-4	Enheten är helt tinad
Skaldjur	Rengjord och i påsar	4-6	Enheten är helt tinad
Kaviar	I sin förpackning, aluminium- eller plastbehållare	2-3	Enheten är helt tinad
Sniglar	I saltvatten, aluminium- eller plastbehållare	3	Enheten är helt tinad



Anm: Fryst mat ska tillagas som färs efter att den har tinat. Om köttet inte tillagas efter att det tinats så får det aldrig frysas igen.

Grönsaker och frukt	Förberedelse	Lagringstid	Tiningsperiod i rums-temperatur (timmar)
Blomkål	Ta bort bladen, skär kålen i bitar och låt den ligga i vatten med lite citronjuice en stund	10 - 12	Kan användas fryst
Brytbönor och bönor	Skölj och skär i små bitar	10 - 13	Kan användas fryst
Bönor	Snoppa och tvätta	12	Kan användas fryst
Svamp och sparris	Skölj och skär i små bitar	6 - 9	Kan användas fryst
Kål	Rengjord	6 - 8	2
Äggplanta	Skär i bitar på 2 cm efter sköljning	10 - 12	Separera dem från varandra
Majs	Skölj och packa med eller utan kolv	12	Kan användas fryst
Morot	Skölj och skär i skivor	12	Kan användas fryst
Paprika	Skär av stjälken, dela på hälften och ta ur kärnhuset	8 - 10	Kan användas fryst
Spenat	Sköljd	6 - 9	2
Äpplen och päron	Skala och skiva	8 - 10	(I kylan) 5
Aprikos och persika	Dela på hälften och ta ur kärnan	4 - 6	(I kylan) 4

Grönsaker och frukt	Förberedelse	Lagringstid	Tiningsperiod i rums-temperatur (timmar)
Jordgubbar och björnbär	Tvätta och snoppa	8 - 12	2
Kokade frukter	Tillsätt 10 % socker i behållaren	12	4
Plommon, körsbär, krusbär	Skölj och ta av stjälkarna	8 - 12	5 - 7

Mejeriprodukter, bakverk	Förberedelse	Förvaringstid (månader)	Förvaringsvillkor
Mjölkpaket (homogeniserad)	I sitt eget paket	2 - 3	Ren mjölk - i sin egen förpackning
Ost - undantag för vit ost	I skivor	6 - 8	Originalförpackningen kan användas för kortvarig förvaring. Den ska plastas in för längre perioder.
Smör, margarin	I sin förpackning	6	
Ägg (*)	Äggvita	10 - 12	30 gr av det är lika med en äggula.
	Äggmix (vita och gula)	10	50 gr av det är lika med en äggula.
	Gula	8 - 10	20 gr av det är lika med en äggula.

I en försluten behållare


(\*) Ska aldrig frysas med skal. Gula och vita ska frysas separat eller helt mixade.

	Lagringstid (månader)	Tiningsperiod i rumstemperatur (timmar)	Tiningstid i ugn (minuter)
Bröd	4 - 6	2 - 3	4-5 (220-225 °C)
Kakor	3 - 6	1 - 1,5	5-8 (190-200 °C)
Bakverk	1 - 3	2 - 3	5-10 (200-225 °C)
Paj	1 - 1,5	3 - 4	5-8 (190-200 °C)
Filodeg	2 - 3	1 - 1,5	5-8 (190-200 °C)
Pizza	2 - 3	2 - 4	15-20 (200 °C)

## DEL - 4 RENGÖRING OCH UNDERHÅLL

 **Se till att koppla ur kylskåpet innan du börjar att rengöra det.**

 Rengör inte kylskåpet i rinnande vatten.

 Använd aldrig brandfarliga, explosiva eller frätande material som förtunningsmedel, gas eller syra för rengöring.

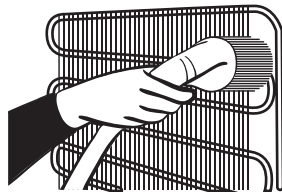
- Du kan torka de inre och yttre sidorna med en mjuk trasa eller en svamp med varmt och tvåligt vatten.



- Ta bort delarna individuellt och rengör med tvål och vatten. Tvätta inte i diskmaskin.



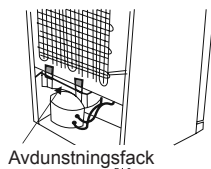
- Du bör rengöra kondensorn med en borste minst en gång om året för att få en effektiv energibesparing och ökad produktivitet.




 **Se till att ditt kylskåp är urkopplat vid rengöring.**

### Avfrostning

- Ditt kylskåp avfrostar helt automatiskt. Vattnet som uppkommer som ett resultat av avfrostningen passerar genom vattenuppsamlaren, rinner in i förångningsbehållaren bakom kylskåpet och förångas där.
- Se till att koppla bort apparaten från vägguttaget innan du rengör förångningsbehållaren.
- Ta ut förångningsbehållaren genom att lossa skruvarna enligt illustrationen. Rengör regelbundet med såpvatten. Med regelbunden rengöring undviker du uppkomsten av dålig lukt.



### Byte av LED-belysning

 Om kylskåpet har LED-belysning som behöver bytas ska helpdesk kontaktas eftersom det endast är behörig personal som ska utföra detta.

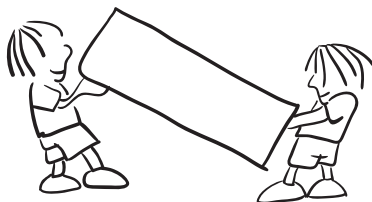
**Obs:** Antal och placering av LED-lister kan ändras beroende på olika modeller.

## DEL - 5 TRANSPORT OCH FLYTTNING

- Originalförpackningen och skum kan förvaras för återtransport (valfritt).
- Du bör fästa ditt kylskåp med tjock förpackning, band eller starka rep och följa instruktionerna för transporter som finns på förpackningen för återtransport.
- Ta bort rörliga delar (hyllor, tillbehör, grönsakskorgar osv.) Eller fixera dem i kylskåpet mot stötar, med hjälp av band innan flyttning och transport.



**Bär ditt kylskåp i upprätt läge.**



### Ompositionering av dörren

- Det är inte möjligt att byta öppningsriktning för kylskåpets dörr, om dörrhandtagen är installerade på ditt kylskåp från den främre delen av dörren.
- Det är möjligt att byta öppningsriktning för kylskåpets dörr, om modellen inte har dörrhandtag, eller om handtagen är sidomonterade.
- Om riktningen på dörren som öppnar ditt kylskåp kan ändras, bör du kontakta närmaste auktoriserade service för att förändra öppningsriktningen.

## DEL - 6 INNAN DU KALLAR PÅ SERVICE EFTER FÖRSÄLJNING

**Kolla varningarna;**

Ditt kylskåp varnar dig om temperaturen för kylan och frysen är i felaktiga nivåer eller när ett problem inträffar i apparaten. Varning koder visas då i frysens eller kylens indikator.

TYP AV FEL	BETYDELSE	VARFÖR	VAD DU BÖR GÖRA
E01	Sensorvarning		Ring servicetjänsten för att få hjälp så fort som möjligt.
E02			
E03			
E06			
E07			
E08	Varning för låg spänning	Strömtillförseln till enheten har sjunkit under 170 W.	- Det är inget fel på enheten. Det här felmeddelandet förhindrar att kompressorn skadas. - Spänningen måste ökas så att den når önskad nivå igen. Om varningen fortsätter att visas måste du kontakta en auktoriserad tekniker.

TYP AV FEL	BETYDELSE	VARFÖR	VAD DU BÖR GÖRA
E09	Frysdelens är inte tillräckligt kall.	Detta händer ofta efter långvariga strömavbrott.	<ol style="list-style-type: none"> <li>1. Ställ in en kallare temperatur i frysen eller aktivera superfrysning. Felkoden bör försvinna när den önskade temperaturen har uppnåtts. Håll dörrarna stängda för att uppnå den korrekta temperaturen snabbare.</li> <li>2. Ta bort eventuella produkter som har tinat medan felet kvarstod. De kan användas inom en kort tidsperiod.</li> <li>3. Lägg inte in några färska matvaror i frysdelens förrän den korrekta temperaturen har uppnåtts och felet har lösts.</li> </ol> <p>Om varningen fortsätter att visas måste du kontakta en auktoriserad tekniker.</p>
E10	Kylskåpsdelen är inte tillräckligt kall.	<p><b>Detta händer ofta efter:</b></p> <ul style="list-style-type: none"> <li>- Långvariga strömavbrott.</li> <li>- Varm mat har placerats i kylskåpet.</li> </ul>	<ol style="list-style-type: none"> <li>1. Ställ in en kallare temperatur i kylskåpet eller aktivera superkyllning. Felkoden bör försvinna när den önskade temperaturen har uppnåtts. Håll dörrarna stängda för att uppnå den korrekta temperaturen snabbare.</li> <li>2. Töm ytan framför luftkanalshålen och undvik att placera mat nära sensorn.</li> </ol> <p>Om varningen fortsätter att visas måste du kontakta en auktoriserad tekniker.</p>
E11	Kylskåpsdelen är för kall.	Olika orsaker	<ol style="list-style-type: none"> <li>1. Kontrollera om superkyllningsläget är aktiverat.</li> <li>2. ?Sänk temperaturen i kylskåpsdelen.</li> <li>3. Kontrollera om ventilerna är rena och inte igensatta.</li> </ol> <p>Om varningen fortsätter att visas måste du kontakta en auktoriserad tekniker.</p>

Om kylskåpet inte fungerar tillfredsställande kan detta bero på ett mindre fel. Kontrollera följande punkter innan du ringer service.

#### Om kylskåpet inte fungerar;

- Är det strömavbrott?
- Är kontakten korrekt ansluten till uttaget?
- Har säkringen för uttaget i vilket kontakten är kopplad eller huvudsäkringen blåst?
- Har uttaget något fel? För att kontrollera detta, anslut ditt kylskåp till ett uttag som du är säker på att det fungerar.

#### Om kylskåpet inte kyler tillräckligt;

- Är temperaturregleringen rätt?
- Är dörren till kylskåpet ofta öppnad och lämnad öppen under en längre tid?
- Är dörren till kylskåpet ordentligt stängd?
- Har du ställt in en maträtt eller mat i kylskåpet som kommit i kontakt med den bakre väggen i kylskåpet och som därmed förhindrar luftflödet?

- Är din kyl överdrivet fylld?
- Är avståndet mellan ditt kylskåp och bak- och sidoväggarna tillräckligt stort?
- Är omgivningstemperaturen inom leden av värden som anges i bruksanvisningen?

### **Om maten i kylskåpet kyls för mycket**

- Är temperaturregleringen rätt?
- Har du nyligen ställt in det mycket mat i frysavdelningen? I så fall kan ditt kylskåp överkyla maten i kylsavdelningen, eftersom det kommer att fungera längre för att kyla maten.

### **Om ditt kylskåp fungerar för ljudligt;**

För att bibehålla den inställda nivån nedkyllning kan kompressorn aktiveras från tid till annan. Ljud från kylskåpet vid denna tid är normalt och beror på att den fungerar. När den avkylningsnivån som krävs har uppnåtts, kommer ljudet automatiskt att minska. Om ljudet fortsätter;

- Är din apparat stabil? Är benen justerade?
- Finns det något bakom ditt kylskåp?
- Vibrerar hyllorna eller faten med rätterna? Placera om hyllorna och / eller rätterna om detta är fallet.
- Vibrerar de föremål som placerats på ditt kylskåp?

### **Normala ljud;**

#### **Knackning (Is knackning) ljud:**

- Under automatisk avfrostning.
- När apparaten kyls eller värms (på grund av expansion av apparatens material).

**Kort knackning:** Hörs när termostaten kopplar kompressorn på / av.

**Kompressor ljud (normalt motorljud):** Detta ljud innebär att kompressorn fungerar normalt. Kompressor kan göra mer ljud under en kort tid när den är aktiverad.

**Bubblande ljud och plask:** Detta ljud orsakas av flödet av kylmediet i rören i systemet.

**Vattenflöde ljud:** Normalt ljud från vatten som rinner till avdunstningsbehållaren under avfrostning. Detta ljud kan höras under avfrostning.

**Blås ljud (normalt fläktljud):** Detta ljud kan höras i No-Frost kylskåp under normal drift av systemet på grund av luftcirkulationen.

### **Om fukt bildas inne i kylskåpet**

- Är all mat ordentligt förpackad? Har behållarna torkats innan du lagt dem i kylskåpet?
- Öppnas kylskåpets dörrar ofta? Fuktigheten i rummet kommer in i kylskåpet när dörrarna öppnas. Fuktighet bildas snabbare kommer när du öppnar dörrarna oftare, speciellt om luftfuktigheten i rummet är hög.
- Vattendroppar som samlas på den bakre väggen efter automatisk avfrostning är normalt (i statiska modeller).

### **Om dörrarna inte öppnas och stängs ordentligt;**

- Förhindrar matförpackningar stängning av dörren?
- Är dörrfack, hyllor och lådor rätt placerade?
- Är dörr tätningarna slitna eller sönder?
- Är ditt kylskåp på en jämn yta?

## **Om kanterna på kylskåpet som har fast kontakt med dörrtätningen är varma;**

Speciellt på sommaren (varmt väder), kan ytorna som är i kontakt med tätningen bli varmare på grund av drift av kompressorn, det är normalt.

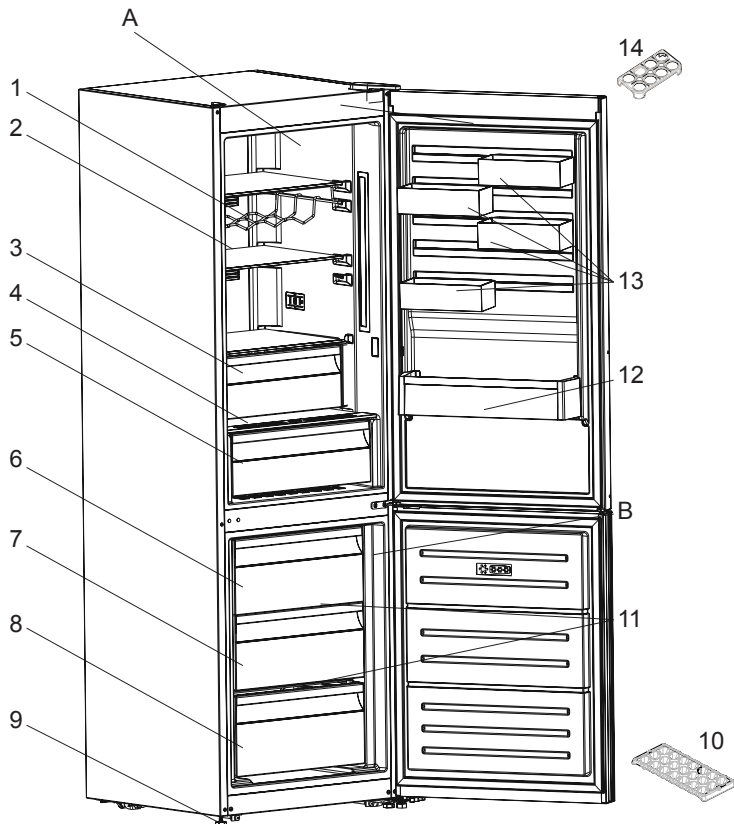
### **Viktiga anmärkningar:**

- Kompressorskyddsfunktionen kommer att aktiveras efter plötsliga strömavbrott eller utkoppling av apparaten, eftersom gasen i kylsystemet inte är stabiliserad än. Ditt kylskåp börjar fungera normalt igen efter 5 minuter, det behöver du inte oroa dig för.
- Om du inte kommer att använda kylskåpet under en längre tid (t.ex. under sommarlovet) koppla ur den. Rengör kylskåpet enligt instruktionerna i del 4 och lämna dörren öppen för att förhindra fukt och lukt.
- Om problemet kvarstår efter att du har följt alla instruktioner ovan, se till närmaste auktoriserad service.
- Apparaten du har köpt är avsedd för hembruk och kan användas bara hemma och för det angivna syftet. Den är inte lämplig för kommersiellt eller gemensamt bruk. Om konsumenten använder apparaten på ett sätt som inte överensstämmer med de beskrivna funktionerna, betonar vi att tillverkaren och återförsäljaren inte är ansvariga för reparationer och fel inom garantiperioden.

### **Tips för energisparande**

1. Installera apparaten i ett svalt, väl ventilerat rum, men inte i direkt solljus och inte i närheten av en värmekälla (element, spis etc. ..). Använd annars en isoleringsplatta.
2. Låt varm mat och dryck svalna utanför apparaten.
3. Vid upptining av fryst mat, placera den i kylskåpet. Den frysta matens låga temperatur kommer att hjälpa till att kyla kylutrymmet när den tinar. Så det orsakar energibesparing. Om den frysta maten tas ut, orsakar det slöseri med energi
4. När du placerar drycker och slask måste de täckas. Annars ökar fuktigheten i apparaten. Då blir arbetstiden längre. Dessutom hjälper täckandet av drycker och slask till att bevara lukt och smak
5. När du placerar mat och dryck, öppna luckan så lite tid som möjligt.
6. Håll locken stängda i alla fack med olika temperaturer i apparaten (grönsakslåda, kyl ... etc).
7. Dörrtätningen måste vara ren och smidig. Vid slitage, om din packning är avtagbar, byt ut packningen. Om den inte kan tas bort måste du byta ut dörren.
8. Ekoläge / standardinställningsfunktion bevarar färska och frysta livsmedel medan du sparar energi.
9. Fack för färska mat (kyl): Mest effektiv energianvändning säkerställs i konfigurationen med lådorna i apparatens nedre del, och hyllorna jämnt fördelade, placering av dörrfack påverkar inte energiförbrukningen.
10. Frysack (frys): Apparaten interna konfiguration är den som säkerställer en effektiv energianvändning.
11. Ta inte bort kylackumulatorena från fryskorgen (om sådana finns).

## DEL - 7 DELARNA I KYLSKÅPET OCH FACKEN



Denna presentation är endast information om apparatens olika delar. Delarna kan variera beroende på apparatens modell.

A) Kylutrymme  
B) Frysutrymme

- 1) Vinställ \*
- 2) Kylhyllor
- 3) Extra kylfack (Kylningsutrymme) \*
- 4) Grönsaksutrymmeslock
- 5) Grönsaksutrymme
- 6) Övre korgen i frysen

- 7) Mitt korgen i frysen
- 8) Understa korgen i frysen
- 9) Justerbara fötter
- 10) Ismagasin
- 11) Glashyllor i frysen \*
- 12) Flaskhylla
- 13) CustomFlex
- 14) Äggbehållare

\* I vissa modeller



## **DEL - 8**   **TEKNISKA DATA**

Den tekniska informationen finns på typskylten på apparatens innersida och på energimärkningen.

QR-koden på energimärkningen som levereras med apparaten ger en webblänk till informationen relaterad till apparatens prestanda i EU EPREL-databasen.

Behåll energimärkningen som referens tillsammans med bruksanvisningen och alla andra dokument som medföljer denna apparat.

Det är också möjligt att hitta samma information hos EPREL via länken <https://eprel.ec.europa.eu> och modellnamnet och produktnumret som du hittar på apparatens typskylt.

Se länken [www.theenergylabel.eu](http://www.theenergylabel.eu) för detaljerad information om energimärkningen.

## **DEL - 9**   **INFORMATION FÖR TESTINSTITUT**

Installation och förberedelse av apparaten för eventuell EcoDesign-verifiering ska överensstämma med EN 62552. Ventilationskrav, fördjupningsdimensioner och minsta bakre spel ska vara som anges i denna bruksanvisning vid DEL 1. Kontakta tillverkaren för ytterligare information, inklusive lastplaner.



FI

TULIPALO

Varoitus; Tulipalon / Syttyvien materiaalien vaara

# SISÄLTÖ

<b>ENNEN LAITTEEN KÄYTTÄMISTÄ.....</b>	<b>102</b>
Yleisiä varoituksia.....	102
Varoituksia koskien turvallisuutta .....	106
Jääkaapin asentaminen ja käyttäminen .....	107
Ennen kuin alat käyttämään jääkaappia.....	108
Mitat.....	109
<b>ERILAISET TOIMINNOT JA MAHDOLLISUUDET .....</b>	<b>110</b>
Tietoa uuden sukupolven viilennysteknologiasta. ....	110
Display og betjeningspanel .....	111
Jääkaapin käyttö .....	111
Super freeze -tila.....	111
Super cool -tila .....	112
Säästö-tila .....	112
Lomatila.....	113
Juomien viilennystila .....	113
Näytönsäästötila.....	113
Lapsilukon toiminta .....	114
Lämpötila-asetukset .....	114
Pakastimen lämpötila-asetukset .....	114
Jäähdyttimen lämpötila-asetukset.....	115
Lämpötilan säätöön liittyvät varoitukset.....	115
Lisävarusteet .....	116
Jääkuutiolokero .....	116
Pakastinlaatikko .....	116
Lisäjäähdytyslokero.....	116
Kosteudenhallinta.....	117
CustomFlex.....	117
<b>RUOKA-AINEIDEN ASETTELU .....</b>	<b>118</b>
Jääkaappiosasto .....	118
Pakastusosasto .....	118
<b>PUHDISTAMINEN JA YLLÄPITO.....</b>	<b>121</b>
Sulattaminen .....	122
<b>KULJETUS JA PAIKOILLEEN ASENTAMINEN .....</b>	<b>122</b>
Oven avauspuolen vaihtaminen.....	122

<b>TARKISTA ENNEN HUOLTOON SOITTOA.....</b>	<b>123</b>
Vinkkejä energian säästöön .....	126
<b>LAITTEEN OSAT JA OSASTOT .....</b>	<b>127</b>
<b>TEKNISET TIEDOT .....</b>	<b>128</b>
<b>TIETOJA TESTAUSLAITOKSILLE .....</b>	<b>128</b>

## TÄYDELLISIIN TULOKSIIN

Kiitos, että valitsit tämän AEG-tuotteen. Olemme valmistaneet sen tarjoamaan sinulle moitteetonta suorituskykyä monien vuosien ajaksi hyödyntäen innovatiivisia tekniikoita, jotka auttavat yksinkertaistamaan elämää – ominaisuuksia, joita et ehkä löydä tavallisista laitteista. Ole hyvä ja käytä muutama minuutti lukemiseen, jotta pystyt käyttämään tuotettasi parhaalla tavalla.

Vieraile verkkosivustollamme osoitteessa:



Saa käyttöneuvoja, esitteitä, ongelmanratkaisuohteja sekä huolto- ja korjaustietoja:

**[www.aeg.com/support](http://www.aeg.com/support)**



Rekisteröi tuotteesi saadaksesi lisäpalveluita:

**[www.registeraeg.com](http://www.registeraeg.com)**



Osat lisälaitteita, kulutustarvikkeita ja alkuperäisiä varaosia laitteeseesi:

**[www.aeg.com/shop](http://www.aeg.com/shop)**

## ASIAKASPALVELU JA HUOLTO


Käytä aina alkuperäisiä varaosia.

Ottaessasi yhteyttä valtuutettuun huoltokeskukseen pidä seuraavat tiedot saatavilla: Malli, PNC-koodi, sarjanumero.

Nämä tiedot löytyvät laitteen tyyppikilvestä.

 Varoitus/Huomio-turvallisuustietoja

 Yleisiä tietoja ja vinkkejä

 Ympäristötietoja

Tiedot voivat muuttua ilman erillistä ilmoitusta.

## **OSA -1. ENNEN LAITTEEN KÄYTTÄMISTÄ**

### **Yleisiä varoituksia**

Lue ohjekirja huolellisesti ennen laitteen asentamista ja käyttöönottoa. Valmistaja ei vastaa vahingoista jotka johtuvat väärinkäytöksistä.

Noudata kaikkia laitteessa ja ohjekirjassa olevia ohjeita, ja säilytä tämä ohjekirja varmassa tallessa mahdollisia myöhemmin vastaantulevia ongelmia varten.

Tätä laitetta ei ole tarkoitettu käytettäväksi kiinteästi asennettuna laitteena.

Jos asianmukaisia ilmanvaihtovaatimuksia ei noudateta poikkeavan asennuksen vuoksi, laite toimii virheettömästi, mutta sen energiankulutus voi olla suurempi.

**! VAROITUS:** Pidä ilmanvaihtaukot laitteen ympärillä, tai sen rungossa esteettöminä.

**! VAROITUS:** Älä käytä mekaanisia laitteita tai muita kuin valmistajan suosittelemia keinoja nopeuttaaksesi sulatusta.

**! VAROITUS:** Älä käytä sähkölaitteita elintarvikkeiden säilytyslokeroissa, jos valmistaja ei erikseen suosittele tätä.

**! VAROITUS:** Älä vahingoita laitteen kylmäainekiertoa.

**! VAROITUS:** Vältäaksesi laitteen epävakaudesta johtuvan vaaran, se tulee kiinnittää ohjeiden mukaisesti.

**! VAROITUS:** Varmista laitteen sijoituksen aikana, että virtajohto ei jää kiinni ja että se ei ole vaurioitunut.

**! VAROITUS:** Älä sijoita jatkopistorasioita tai siirrettäviä virtalähteitä laitteen taakse.

**!** Jos laite käyttää R600a kylmäaineena – tämän voi nähdä jäähdyttimen tyypikilvestä- ole varovainen kuljetuksen ja asentamisen aikana jotta laitteesi jäähdytys-elementit eivät vaurioituisi. R600a on ympäristöystävällinen maakaasu. Se on kuitenkin räjähdysaltista. Vuodon sattuessa jäähdytys-elementtien

vaurioitumisen seurauksena, siirrä jääkaappi kauas avotulen läheisyydestä tai muista lämmönlähteistä ja tuuleta tilaa jossa laite sijaitsee muutaman minuutin ajan.

- Pidä kaikki pakkaukset poissa lasten ulottuvilta ja hävitä ne asianmukaisesti.
- Älä vahingoita laitteen kylmäkiertoa kuljetuksen ja uudelleensijoittamisen aikana.
- Älä aseta räjähtäviä aineita kuten aerosolitölkkejä jotka sisältävät herkästi syttyviä aineita laitteen sisään.
- Tämä laite on tarkoitettu kotitalouskäyttöä ja muita samankaltaisia sovelluksia varten kuten;
  - keittiöhenkilöstön tiloihin kaupoissa, toimistoissa ja muissa työympäristöissä
  - maatilamajoitusta ja hotelleja, motelleja tai muita asuinympäristöjä varten
  - aamiaismajoitustyyppisiä ympäristöjä varten;
  - Ateriapalveluja ja muita samankaltaisia ei-kaupallisia sovelluksia varten
- Jos laitteen verkkojohto ei sovi käytettyyn pistorasiaan, se tulee korvata valmistajan, huoltoliikkeen tai muun valtuutetun henkilön toimesta vaaran välttämiseksi.
- Jääkaappisi sähköjohtoon on liitetty erityismaadoitettu pistoke. Tätä pistoketta tulisi käyttää erityismaadoitetun 16 ampeerin tai 10 ampeerin pistorasian kanssa riippuen maasta, jossa tuote myydään. Jos sellaista pistorasiaa ei ole, pistotulpan asentamiseen tarvitaan valtuutettu sähkömies.
- Tätä laitetta voivat käyttää 8-vuotiaat ja sitä vanhemmat lapset sekä henkilöt joiden fyysinen, aistinvarainen tai henkinen toimintakyky on rajoittunut tai joilla ei ole aikaisempaa kokemusta tai tietoa laitteen käytöstä, jos heitä valvotaan tai opastetaan laitteen käytössä turvallisella tavalla ja he ymmärtävät laitteen käyttöön liittyvät vaarat. Lasten ei tule antaa leikkia laitteen kanssa. Lasten ei tule antaa puhdistaa

ja huoltaa laitetta ilman valvontaa.

- 3-8 vuotiaat saavat täyttää ja tyhjentää jäähdytyslaitteita. Lasten ei tulisi puhdistaa tai huoltaa laitetta. Erittäin nuorten lasten (0-3 vuotta) ei tulisi käyttää laitteita. Nuorten lasten (3-8 vuotta) ei tulisi käyttää laitetta, ellei heitä valvota jatkuvasti turvallisuuden varmistamiseksi. Vanhemmat lapset (8-14 vuotta) ja fyysisesti tai psyykkisesti heikkokuntoiset tai estyneet ihmiset voivat käyttää laitteita, jos heitä joko valvotaan, tai heitä on neuvottu, kuinka laitetta käytetään turvallisesti. Fyysisesti tai psyykkisesti heikkokuntoisten henkilöiden ei tulisi käyttää laitteita, ellei heitä valvota jatkuvasti.
- Jos laitteen verkkojohto vaurioituu, se tulee korvata valmistajan, huoltoliikkeen tai muun valtuutetun henkilön toimesta vaaran välttämiseksi.
- Tätä laitetta ei ole suunniteltu käytettäväksi yli 2000 m korkeudessa.

### **Seuraathan seuraavia ohjeita välttääksesi ruuan saastumisen ja pilaantumisen:**

- Oven auki pitäminen pitkän aikaa voi aiheuttaa huomattavan lämpötilan nousun laitteen säilytyslokerossa.
- Puhdista säännöllisesti pinnat, jotka ovat kosketuksissa ruuan kanssa.
- Säilytä raaka liha ja kala sopivissa säilytysastioissa jääkaapissa siten, että ne eivät koske ja niistä ei valu mitään muihin ruokiin.
- Kahden tähden pakastetun ruuan säilytyslokerot sopivat esipakastetun ruuan säilyttämiseen sekä jäätelön ja jääpalojen tekemiseen.
- Yhden kahden ja kolmen tähden säilytyslokerot eivät sovi tuoreen ruuan pakastamiseen.
- Jos jäähdytyslaitetta (jääkaappilaite) pidetään tyhjänä pitkän aikaa, laita se pois päältä, sulata, puhdista ja kuivaa se ja jätä ovi auki estääksesi homeen muodostumiseen jääkaapissa.



## Huolto

- Jos laite tarvitsee huoltoa, ota yhteyttä valtuutettuun huoltopalveluun. Käytä vain alkuperäisiä varaosia.
- Huomaa, että itse tehdyt tai muiden kuin ammattilaisten tekemät korjaukset voivat heikentää laitteen turvallisuutta ja kumota sen takuun.
- Seuraavia varaosia on saatavana 7 vuoden ajan mallin valmistuksen päättymisen jälkeen: termostaatit, lämpötilanturit, piirilevyt, valot, ovenkahvat, ovien saranat, vaunut ja korit.
- Huomaa, että joitakin varaosia voivat hankkia vain ammattimaiset korjaajat, ja että kaikkia varaosia ei ole tarkoitettu kaikkiin malleihin.
- Ovien tiivisteitä on saatavana 10 vuoden ajan mallin valmistuksen päättymisen jälkeen.

## Vanhat ja käytöstä poistetut jääkaapit

- Jos vanhassa jääkaapissasi on lukko, riko tai irrota se ennen jääkaapin poisheittämistä, etteivät lapset voi jäädä vahingossa jääkaapin sisään ja joutua onnettomuuteen.
- Vanhat jääkaapit ja pakastimet sisältävät eristeenä ja kylmäaineena käytettyjä CFC-yhdisteitä. Huolehdi siksi siitä että et vahingoita ympäristöä hävittäessäsi vanhan jääkaappisi.

## Bortskaffelse af din gamle maskine



Dette symbol på produktet eller dets emballage indikerer, at produktet ikke må bortskaffes som almindeligt husholdningsaffald. Det bør i stedet afleveres på dertil indrettede genbrugspladser, som tager imod elektrisk og elektronisk udstyr. Ved korrekt bortskaffelse af produktet er du med til at forhindre de negative miljø- og sundhedsmæssige påvirkninger, der ellers vil opstå i forbindelse med forkert bortskaffelse af produktet. Du kan få mere detaljerede oplysninger om genanvendelse af dette produkt ved at kontakte din kommune, lokale genbrugsplads eller forhandleren, hvor du købte produktet.

## Huomautuksia:

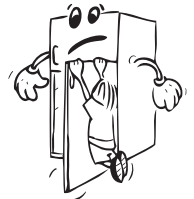
- Tämä laite on valmistettu kotitalouksia varten ja sitä voidaan käyttää vain kotitalousympäristössä ja vain sille suunniteltuun käyttötarkoitukseen. Se ei sovellu kaupallisiin tai muihin käyttötarkoituksiin. Muussa tapauksessa laitteen takuu raukeaa eikä valmistaja vastaa aiheutuneista vahingoista.
- Tämä laite on tarkoitettu sisäkäyttöön ja se sopii vain elintarvikkeiden jäädytykseen / varastointiin. Se ei sovellu kaupallisiin tai muihin käyttötarkoituksiin ja/tai muiden aineiden kuin elintarvikkeiden säilytykseen. Valmistaja ei ota vastuuta vahingoista jotka johtuvat muista käyttötarkoituksista.

## Varoituksia koskien turvallisuutta

- Älä käytä jakopistorasioita tai jatkojohtoja.
- Älä käytä vahingoittunutta, repeytynyttä tai vanhaa pistoketta.
- Älä revi, taita tai vahingoita sähköjohtoa.



- Älä käytä pistokesovitinta.
- Tämä laite on suunniteltu aikuisten käyttöä varten, älä anna lasten leikkiä laitteella tai anna niiden roikkua jääkaapin ovesta.
- Älä kytke tai irrota pistoketta pistorasiasta märin käsin välttääksesi sähköiskun vaaran!
- Älä aseta lasipulloja tai juomatölkkejä pakastinosastoon. Muuten pullot ja tölkit voivat räjähtää.
- Älä aseta räjähdyksalttiita tai herkästi syttyviä aineita jääkaappiin oman turvallisuutesi vuoksi. Aseta korkean alkoholipitoisuuden omaavat juomat vaakatasoon jääkaappiosastoon ja kierrä niiden korkit tiukasti kiinni.



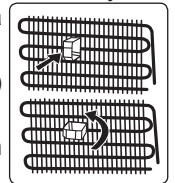
- Kun otat jääpaloja pakastuslokerosta, älä kosketa niitä paljain käsin ettet saisi paleltumia ja/tai haavoja.
- Älä koske pakastettuihin elintarvikkeisiin märin käsin! Älä syö jäätelöä tai jääkuutioita jotka olet ottanut pakastimesta suoraan!
- Älä uudelleenpakasta sulatettuja elintarvikkeita sulatuksen jälkeen. Tämä voi aiheuttaa terveydellisiä haittoja kuten ruokamyrkytyksen.
- Älä peitä jääkaapin runkoa tai yläosaa pöytäliinalla. Tämä vaikuttaa jääkaapin jäähdystestehoon.
- Kiinnitä lisävarusteet jääkaappiin kuljetuksen ajaksi estääksesi niiden vaurioitumisen.



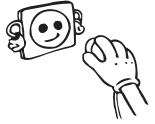
## Jääkaapin asentaminen ja käyttäminen

*Ennen kuin alat käyttämään jääkaappia, kiinnitä huomiota seuraaviin yksityiskohtiin:*

- Jääkaappisi käyttöjännite on 220-240V 50Hz.
- Valmistaja ei ota vastuuta vahingoista jotka johtuvat maadoittamattoman pistorasian käytöstä.
- Sijoita jääkaappi paikkaan jossa se ei altistu suoralle auringonvalolle.
- Laite tulee sijoittaa paikkaan jossa se on vähintään 50cm päässä helleista, kaasuliesistä ja lämmityslaitteen kennoista sekä ainakin 5cm päässä sähköliesistä.
- Jääkaappia ei tule koskaan käyttää ulkona tai jättää sateeseen.
- Älä aseta mitään jääkaapin sisään, ja asenna se paikkaan jossa jääkaapin yläpuolelle jää vähintään 15cm rako.
- Säädettävät etujalat tulee säätää sopivalle korkeudelle jotta jääkaappi toimisi vakaana ja oikealla tavalla. Voit säätää jalkoja kiertämällä niitä myötäpäivään (tai päinvastaiseen suuntaan). Tämä tulee tehdä ennen kuin asetat elintarvikkeet jääkaappiin.
- Ennen kuin alat käyttämään jääkaappia, pyyhi kaikki osat lämpimällä vedellä johon on lisätty teelusikallinen ruokasoodaa, huuhtelee sen jälkeen puhtaalla vedellä ja kuivaa. Aseta kaikki osat paikoilleen puhdistamisen jälkeen.
- Asenna etäisyyden säätömuovi (takana oleva osa jossa mustat siivet) kääntämällä sitä 90° estääksesi lauhdutinta koskettamasta seinää.
- Laitteen ja takaseinän välisen etäisyyden on oltava vähintään 42 mm ja enintään 75 mm.



## Ennen kuin alat käyttämään jääkaappia



- Kun jääkaappi käynnistetään ensimmäistä kertaa tai siirtämisen jälkeen, pidä se pystyasennossa 3 tunnin ajan ja kytke se verkkovirtaan jotta se voisi toimia tehokkaasti. Muuten voit vahingoittaa kompressoria.
- Jääkaappi voi tuoksua kun sitä käytetään ensimmäistä kertaa; tuoksu haihtuu jääkaapin jäähtyttyä.

### Sisävalo

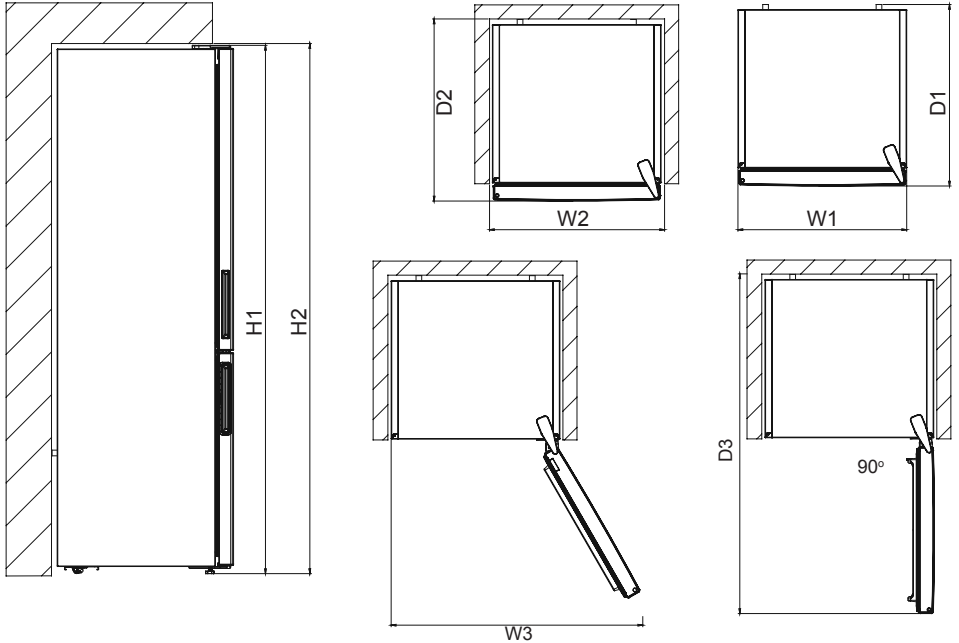


**VAROITUS!**

Sähköiskun vaara.

- Liittyen tuotteen sisällä olevaan lamppuun/lamppuihin ja erikseen myytäviin varaosalamppuihin: Nämä lamput on tarkoitettu kestäämään kodinkoneiden äärimmäisiä fysikaalisia olosuhteita, kuten lämpötiloja, tärinää, kosteutta, tai ne on tarkoitettu antamaan tietoa laitteen toimintatilasta. Niitä ei ole tarkoitettu käytettäväksi muissa tarkoituksissa eivätkä ne sovellu kotiitalouden huoneiden valaisuun.

## Mitat



### Kokonaismitat <sup>1</sup>

H1	mm	1860
W1	mm	595
D1	mm	650

<sup>1</sup> Laitteen korkeus, leveys ja syvyys ilman kahvaa

### Käytössä tarvittava tila <sup>2</sup>

H2	mm	1900
W2	mm	600
D2	mm	718

<sup>2</sup> Laitteen korkeus, leveys ja syvyys, kahva mukaan lukien, sekä tila, joka tarvitaan jäähdytysilman kiertoa varten

### Käytössä tarvittava kokonaistila <sup>3</sup>

W3	mm	917
D3	mm	1158

<sup>3</sup> laitteen korkeus, leveys ja syvyys sisältäen kahvan sekä tila, joka tarvitaan jäähdytysilman kiertoa varten, ja tila, joka tarvitaan oven avautumiseen vähimmäiskulmaan, jossa on mahdollista poistaa kaikki sisäpuoliset osat

## OSA -2. ERILAISET TOIMINNOT JA MAHDOLLISUUDET

### Tietoa uuden sukupolven viilennysteknologiasta.

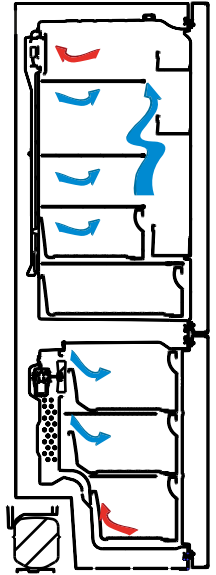
Jääkaappipakastimet, joissa on käytetty uuden sukupolven viilennysteknologiaa, toimivat eri tavalla kuin vanhan malliset jääkaappipakastimet. Vanhalla tekniikalla toteutetuissa jääkaappipakastimissa kaappiin pääsevä kostea ilma ja elintarvikkeista haihtuva kosteus muuttuu jääksi pakastimeen. Jääkaappipakastin on irrotettava verkkovirrasta sulatuksen ajaksi. Pitääksesi elintarvikkeet viileinä sulatuksen ajan ne on säilytettävä muualla, ja käyttäjän on puhdistettava jäljelle jäänyt jää ja huurre.

Tilanne on täysin erilainen pakastimissa, joissa on uuden sukupolven viilennysteknologiaa. Kylmää ja kuivaa ilma puhalletaan pakastinosaan tuulettimen avulla. Tämän tuloksena kylmä ilma kulkee helposti pakastimessa jopa hyllyjen välissä, jolloin ruoka jäätyy tasaisesti ja riittävän hyvin. Tämä ei myöskään muodosta huurretta.

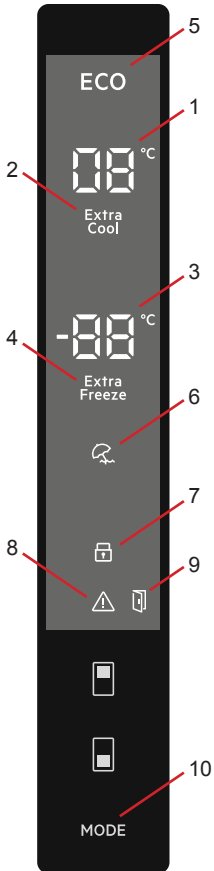
Jääkaappiosan rakenne on lähes sama kuin pakastinosan. Pakastimen yläosassa sijaitsevan tuulettimen puhaltama ilma viilentyy kulkiessaan ilmakehän läpi. Samalla ilma puhalletaan ulos ilmakehän rei'istä siten, että viilennysprosessi onnistuu pakastinosassa. Ilmakehän reiät jakavat ilman tasaisesti pakastinosassa.

Koska ilmaa ei pääse kulkemaan pakastimen ja jääkaapin välillä, myöskään eri tuoksut eivät sekoitu.

Tämän tuloksena uuden sukupolven viilennysteknologiaa sisältävä jääkaappi on helppokäyttöinen, tilava ja kaunis katseltava.



## Display og betjeningspanel



### Brug af betjeningspanelet

1. Tämä on jääkaapin asetusarvonäyttö.
2. Tämä on tehojäähdytysilmaisim.
3. Tämä on pakastimen asetusarvonäyttö.
4. Tämä on tehojäähdytysilmaisim.
5. Tämä on economy-tilan symboli.
6. Tämä on lomatilän symboli.
7. Tämä on lapsilukon symboli.
8. Tämä on hälyttimen symboli.
9. Ovi auki -hälytys symboli
10. Se ottaa tilat käyttöön (Economy, loma...) aktivoitavaksi haluttaessa.

### Valaistus (jos sisältyy)

Kun laite kytketään sähköverkkoon ensimmäisen kerran, niin sisävalot voivat itsetestien takia syttyä vasta yhden minuutin kuluttua.

## Jääkaapin käyttö

### Super freeze -tila

#### Käyttötarkoitus

- sellaisten suurten elintarvikemäärien pakastaminen, jotka eivät mahdu pikapakastushyllylle
- valmiiden ruokien pakastaminen
- tuoreiden elintarvikkeiden pakastaminen nopeasti, jotta ne säilyttävät tuoreutensa.

#### Miten sitä käytetään?

Paina Freezer-painiketta, kunnes näytöllä näkyy SF-merkki. Hälyttimestä kuuluu syvä piippaus. Tila asetetaan.

#### Tämän tilan aikana:

- Cool ja Super cool -tilojen lämpötilaa voidaan säätää. Tässä tapauksessa super freeze -tila jatkuu.
- Säästö- ja lomatoimintoja ei kuitenkaan voida valita.



- Super freeze -tila voidaan peruuttaa samalla valintamenetelmällä.

### Huomaa:

- Katso laitetarrasta pakastimen maksimikapasiteetti (Kg) 24 tunnin aikajaksolle.
- On parasta asettaa laite Super Freeze -tilaan 3 tuntia ennen kun elintarvikkeet pannaan pakastimeen.
- Kun optimaalinen pakastimen lämpötila on saavutettu, kuuluu hälytysääni.



Super Freeze -tila peruutetaan automaattisesti 24 tunnin jälkeen tai tapauksessa, jossa tunnistimen lämpötila putoaa alle -32 °C:een.

### Super cool -tila

#### Käyttötarkoitus

- suurten elintarvikemäärien jäädyttäminen ja varastoiminen jääkaappiosastoon
- juomien viilentäminen nopeasti.

#### Miten sitä käytetään?

Paina viilentimen asetuspainiketta, kunnes näytöllä näkyy Super cool -merkki. Hälyttimestä kuuluu syvä piippaus. Tila asetetaan.

#### Tämän tilan aikana:

- Freezer- ja Super Freeze -tilan lämpötilaa voidaan säätää. Tässä tapauksessa super cool -tila jatkuu.
- Säästö- ja lomatoimintoja ei kuitenkaan voida valita.
- Super cool -tila voidaan peruuttaa samalla valintamenetelmällä.



### Säästö-tila

#### Käyttötarkoitus

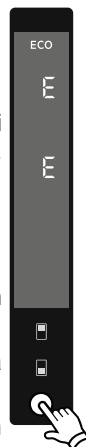
Energiansäästö. Laitteen ollessa vähäisemmällä käytöllä (kun ovea avataan harvemmin) tai esimerkiksi lomien aikana eko-ohjelmalla saadaan aikaan optimaalinen lämpötila, jonka avulla voidaan säästää sähköä.

#### Miten sitä käytetään?

- Paina "tilapainiketta", kunnes eco-symboli syttyy.
- Jos mitään painiketta ei paineta yhteen sekuntiin, Tila asetetaan. Eco-symboli vilkkuu 3 kertaa. Kun tila on määritetty, hälyttimestä kuuluu voimakas piippaus.
- Pakastimen ja jääkaapin lämpötila-asetukset näyttävät "E".
- Säästötilan symboli ja E palavat, kunnes tämä tila on lopussa.

#### Tämän tilan aikana:

- Pakastimen tilaa voidaan säätää. Kun economy-tila peruutetaan, asetusarvojen valinta jatkuu.
- Viilennintä voidaan säätää. Kun economy-tila peruutetaan, asetusarvojen valinta jatkuu.
- Super Cool - ja Super Freeze -tilat voidaan valita. Säästötila peruutetaan automaattisesti ja valittu tila aktivoidaan.
- Lomatila voidaan valita economy-tilan peruuttamisen jälkeen. Valittu tila aktivoituu.
- Voit peruuttaa painamalla tilapainiketta.





## Lomatila

### Miten sitä käytetään?

- Paina "tilapainiketta", kunnes loma-symboli syttyy.
- Nos mitään painiketta ei paineta yhteen sekuntiin, Tila asetetaan. Loma-symboli vilkkuu 3 kertaa. Kun tila on määritetty, hälyttimestä kuuluu voimakas piippaus.
- Jäähdyttimen lämpötilasegmentti näyttää "-".
- Säästötilan symboli ja "-" palavat, kunnes tämä tila on lopussa.

### Tämän tilan aikana:

- Pakastimen tilaa voidaan säätää. Kun lomatila peruutetaan, asetusarvojen valinta jatkuu.
- Viilennintä voidaan säätää. Kun lomatila peruutetaan, asetusarvojen valinta jatkuu.
- Super Cool - ja Super Freeze -tilat voidaan valita. Lomatila peruutetaan automaattisesti ja valittu tila aktivoidaan.
- Säästötila voidaan valita lomatilan peruuttamisen jälkeen. Valittu tila aktivoituu.
- Voit peruuttaa painamalla tilapainiketta.



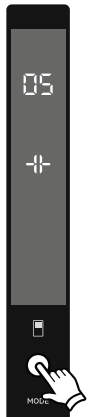
## Juomien viilennystila

### Käyttötarkoitus

Tämän tilan avulla voit viilentää juomia valitsemasi keston verran.

### Miten sitä käytetään?

- Paina Freezer-painiketta 3 sekunnin ajan.
- Kuvasarja käynnistyy pakastimen asetusarvonäytössä, ja 05 vilkkuu jäähdyttimen asetusarvonäytössä.
- Säädä aikaa painamalla jäähdytinpainiketta (05 - 10 - 15 - 20 - 25 - 30 minuuttia).
- Kun valitset ajan, numerot vilkkuvat 3 kertaa näytöllä ja summerin ääni kuuluu.
- Jos mitään painiketta ei paineta 2 sekunnissa, aika asetetaan.
- Aika alkaa kulua säädetyistä ajasta minuutti kerrallaan.
- Jäljellä oleva aika vilkkuu näytössä.
- Voit peruuttaa tämän tilan painamalla pakastinpainiketta 3 sekuntia.



## Näytönsäästötila

### Käyttötarkoitus

Tässä tilassa voidaan säästää sähköä sammuttamalla kaikki ohjauspaneelin valot, kun paneelia ei käytetä.

### Käyttöohje

- Näytönsäästötila aktivoituu automaattisesti 30 sekunnin kuluttua.
- Jos painat mitä tahansa näppäintä ohjauspaneelin valojen ollessa pois päältä, laitteen nykyiset asetukset tulevat uudestaan näkyviin, jolloin voit tehdä haluamasi muutokset.
- Jos et poista näytönsäästötilaa käytöstä tai paina jotakin näppäintä 30 sekunnin aikana, ohjauspaneeli pysyy pois päältä.



## Näytönsäästötilan sammuttaminen

- Voit poistaa näytönsäästötilan käytöstä ja ottaa näppäimet käyttöön painamalla mitä tahansa näppäintä ja pitämällä sitten Tila-painiketta painettuna kolmen sekunnin ajan.
- Voit ottaa näytönsäästötilan takaisin käyttöön pitämällä Tila-painiketta painettuna kolmen sekunnin ajan.

## Lapsilukon toiminta

### Milloin sitä käytetään?

Lapsilukkoa käytetään, kun lapsia halutaan estää leikkimästä painikkeilla ja vaihtamasta tekemiäsi asetuksia.

### Lapsilukon aktivointi

Paina Freezer ja Cooler -painiketta samanaikaisesti 5 sekunnin ajan.

### Lapsilukon aktivoinnin poisto

Paina Freezer ja Cooler -painiketta samanaikaisesti 5 sekunnin ajan.

**Huomaus:** Lapsilukon aktivointi poistetaan, jos sähkönsyöttö keskeytyy tai jääkaappi irrotetaan pistokkeesta.



## Ovi auki -hälytys

Jos jääkaapin ovi on auki yli kaksi minuuttia, äänimerkki alkaa kuulua ja avoimen oven kuvake syttyy.



## Lämpötila-asetukset

### Pakastimen lämpötila-asetukset

- Jäähdytinasetusten ilmaisimen lähtölämpötila on -18 °C.
- Paina pakastimen asetuspainiketta kerran.
- Kun ensin painat tätä painiketta, viimeiseksi asetettu arvo vilkkuu näytöllä.
- Kun painat tätä painiketta, lämpötila laskee.
- Kun painat Freezer Set -painiketta, kunnes superfreeze-symboli näkyy, etkä paina mitään painiketta sekunnin kuluessa, Super Freeze -symboli vilkkuu.
- Jos pidät painiketta painettuna, asetus käynnistyy uudelleen -16 °C:esta.
- Ennen loma-, Super Freeze -, Super Cool - tai säästötilaa aktivoitu lämpötila pysyy samana, kun tila päättyy tai se peruutetaan. Laite toimii edelleen tällä lämpötila-arvolla.



## Jäähdyttimen lämpötila-asetukset

- Jäähdytinasetusten ilmaisin on +4 °C.
- Paina jäähdytyspainiketta kerran.
- Kun painat ensin tätä painiketta, viimeinen arvo tulee näkyviin jäähdyttimen asetusten ilmaisimessa.
- Kun painat tätä painiketta, lämpötila laskee.
- Kun painat Cooler Set -painiketta, kunnes Super Cool -symboli näkyy, etkä paina mitään painiketta sekunnin kuluessa, Super Cool -symboli vilkkuu.
- Jos pidät painiketta painettuna, asetukset käynnistyvät uudelleen +8 °C:esta.
- Ennen loma-, Super Freeze -, Super Cool - tai säästötilaa aktivoitu lämpötila pysyy samana, kun tila päättyy tai se peruutetaan. Laite toimii edelleen tällä lämpötila-arvolla.



## Anbefalede indstillinger af fryse- og kølerummenes temperaturer

Fryserum	Kølerum	Kommentarer
-18 °C	4 °C	Til regelmæssig brug og bedste ydeevne.
-20 °C, -22 °C eller -24 °C	4 °C	Anbefales når omgivelsestemperaturen er over 30 °C.
Superfrystilstand	4 °C	Skal bruges, hvis du ønsker at fryse madvarer på kort tid.
-18 °C, -20 °C, -22 °C eller -24 °C	2 °C	Brug temperaturindstillingerne, hvis omgivelsestemperaturen er høj, eller hvis du mener, at kølerummet ikke er koldt nok, fordi døren åbnes ofte.

## Lämpötilan säätöön liittyvät varoitukset

- Emme suosittele jääkaapin käyttöä tiloissa, joiden lämpötila on alle 10 °C.
- Lämpötila tulisi säätää ovien avaamistiheyden, jääkaapissa säilytetyn ruoan määrän ja huonelämpötilan perusteella.
- Jääkaappi on jätettävä käymään keskeytyksettä 24 tunnin ajaksi sen jälkeen, kun pistoke on liitetty pistorasiaan. Tämä takaa, että laite jäähtyy riittävän hyvin. Älä avaa ovia tai laita ruokaa jääkaappiin tänä aikana.
- Jääkaapissasi on 5 minuutin mittainen viivetoiminto, joka on suunniteltu estämään kompressorivauriot, kun pistoke irrotetaan pistorasiasta ja liitetään takaisin sähkökatkoksen jälkeen. Jääkaappi alkaa käydä normaalisti 5 minuutin kuluttua.
- Jääkaappisi on suunniteltu toimimaan standardeissa mainituissa huonelämpötiloissa sekä arvokilvessä mainitun ilmastoluokan mukaisesti. Jääkaapin käyttämistä ei suositella jäähdytystehokkuuteen.
- Tämä laite on suunniteltu käytettäväksi 10 - 43 °C:een ympärivässä lämpötilassa.

Ilmastoluokka	Merkitys	Ympäristön lämpötila
T	Trooppinen	Tämä jäähdytyslaite on tarkoitettu käytettäväksi ympäristön lämpötiloissa 16 °C–43 °C.
ST	Subtrooppinen	Tämä jäähdytyslaite on tarkoitettu käytettäväksi ympäristön lämpötiloissa 16 °C–38 °C.

Ilmastoluokka	Merkitys	Ympäristön lämpötila
N	Lauheka	Tämä jäähdytyslaitte on tarkoitettu käytettäväksi ympäristön lämpötiloissa 16 °C–32 °C.
SN	Laajennettu lauhkeka	Tämä jäähdytyslaitte on tarkoitettu käytettäväksi ympäristön lämpötiloissa 10 °C–32 °C.

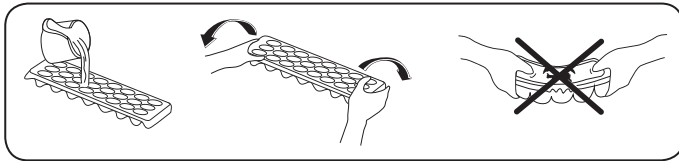
## Tärkeät asennusohjeet

Tämä laite on suunniteltu käytettäväksi haastavissa ilmasto-oloissa (korkeintaan 43 °C tai 110 °F). Siinä käytetään Freezer Shield -teknologiaa, jolla varmistetaan, että pakastimen pakasteet eivät sulaa, vaikka ympäristön lämpötila laskee –15 °C:seen. Laite voidaan siis asentaa lämmittämättömään huoneeseen ilman, että pakastimen pakasteiden pilaantumista tarvitsee pelätä. Kun ympäristön lämpötila palaa normaaliksi, laitteen käyttöä voi jatkaa normaalisti.

## Lisävarusteet

### Jääkuutiolokero

- Täytä jääkuutiolokero vedellä ja aseta pakastetilaan.
- Kun jäätä on muodostunut käännät vain jääkuutiolokeroa niin kuutiot irtoavat helposti.



### Pakastinlaatikko

Pakastinlaatikko on sellaisille elintarvikkeille, joihin täytyy päästä käsiksi helposti.

#### Pakastinlaatikon poistaminen

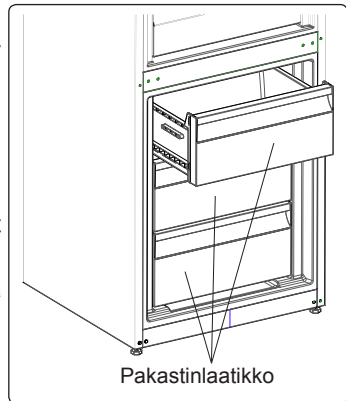
- Vedä laatikko ulos niin pitkälle kuin mahdollista
- Vedä laatikon etuosa ylös ja alas.



Tee sama toimenpide käänteisesti, kun asettelet liukuosan uudelleen.



**Huomaa:** Liikuttele laatikkoa sisään tai ulos aina kädensijasta.

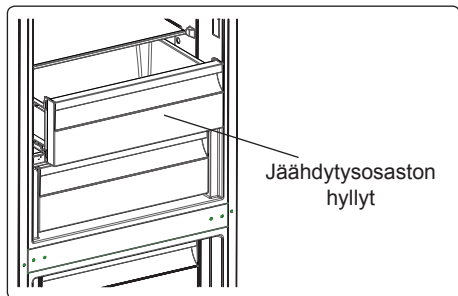


### Lisäjäähdytyslokero (Joissakin malleissa)

Suunniteltu erityisesti leikkeleiden ja juuston säilyttämiseen. Kylmän ilman kierron ansiosta vetolaatikon lämpötila on alempi kuin muun jääkaapin.

#### Jäähdytyshyllyn poistaminen

- Vedä jäähdytyshylly ulos itseäsi kohti liu'uttamalla sitä kiskoillaan.
- Nosta jäähdytyshylly pois kiskoilta poistaaksesi hyllyn.

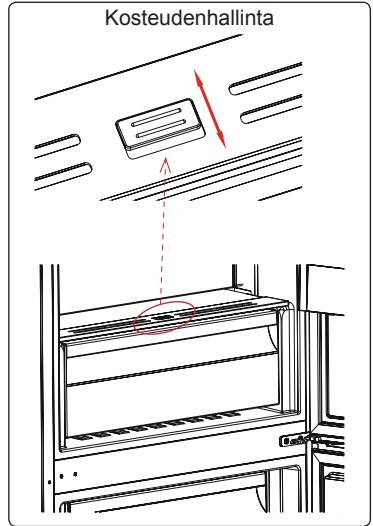


### Kosteudenhallinta (Joissakin malleissa)

Kosteudenhallinta suljetussa asennossa auttaa tuoreita hedelmiä ja vihanneksia säilymään kauemmin.

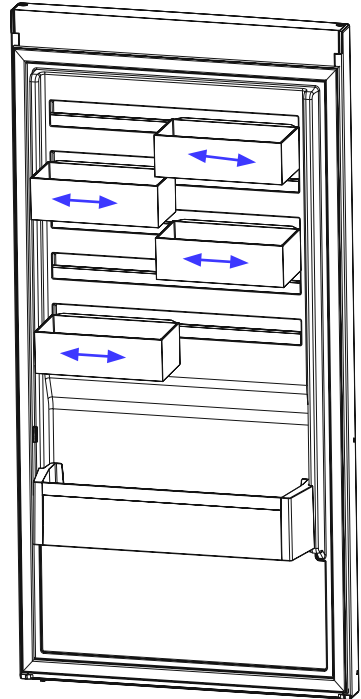
Jos vihanneslokeron on täynnä, sen etuosassa sijaitseva Fresh dial pitää avata. Sen avulla vihanneslokeron ilman kosteutta voidaan hallita, ja vihannesten käyttöaikaa pidentää.

Jos näet kondenssivettä lasihyllyllä, voit asettaa kosteudenhallintamuovin avoimeen asentoon.



### CustomFlex (Joissakin malleissa)


CustomFlex® giver dig mulighed for at indrette køleskabet, så det passer til dine behov. Indvendigt i døren er der opbevaringsplads og beholdere, som kan flyttes rundt, så du kan tilpasse rummet efter dine behov. Beholderne kan endda tages ud af køleskabet, så du nemmere kan komme til.




Lisävarusteiden kuvat ja tekstikuvaukset voivat vaihdella laitteen mallin mukaan.

## OSA -3. RUOKA-AINEIDEN ASETTELU

### Jääkaappiosasto

- Tuoreiden elintarvikkeiden lokerossa on (arvokilvessä) merkintä .
- Vähentääksesi kosteutta ja sen seurauksena syntyvää huurtumista älä koskaan aseta avoimessa säiliössä olevia nesteitä jääkaappiin. Huurteella on taipumusta kerääntyä haihduttimen kylmimpiin osiin, ja se vaatii tavallista useamman sulatuskerran aikojen kuluessa.
- Älä koskaan aseta lämpimiä ruokia jääkaappiin. Lämpimien ruokien tulee ensin jäähtyä huoneenlämpötilassa, ja ne tulee asettaa jääkaappiin niin että ne sallivat riittävän ilmanvaihdon jääkaappiosastossa.
- Minkään osan ei tule koskettaa takaseinää koska muuten se huurtuu ja pakkaukset voivat jäätyä kiinni seinään. Älä avaa jääkaapin ovea liian usein.
- Järjestä liha ja pudistettu kala (käärittynä pakkaukseen tai muoviarikkeihin) jotka aiot käyttää 1-2 päivän sisällä, jääkaappiosaston alaosaan (juureslokeroon yläpuolelle) koska tämä on jääkaapin viilein osa ja varmistaa parhaimmat säilytysolosuhteet.
- Voit asettaa hedelmät ja kasvikset juureslokeroon ilman pakkausta.


 **HUOM:** Energia käytetään tehokkaimmin, kun laatikot ovat laitteen alaosassa ja hyllyt on jaettu tasaisesti. Ovikorien paikka ei vaikuta energiankulutukseen.

Joitakin suosituksia on mainittu jäljempänä koskien elintarvikkeiden asettamista ja säilömistä jäädytysosastoon.

Elintarvike	Pisin säilytysaika	Minne asettaa jääkaappiosastossa
Kasvikset ja hedelmät	1 viikkoa	Juureslokeroon
Liha ja kala	2 - 3 päivää	Kiedottuna muoviseen folioon tai pusseihin tai rasiassa (lasihyllylle)
Tuorejuusto	3 - 4 päivää	Erityiseen ovihyllyyn
Voi ja margariini	1 viikkoa	Erityiseen ovihyllyyn
Pullotetut tuotteet maito ja jogurtti	Ennen valmistajan ilmoittamaa parasta ennen päiväystä	Erityiseen ovihyllyyn
Kananmunat	1 kuukautta	Kananmunatelineeseen
Kypsennetty ruoka	2 päivää	Kaikki hyllyt

**HUOMAA:** Perunoita, sipuleita ja valkosipuleita ei tule säilyttää jääkaapissa..

### Pakastusosasto

- Pakastelokerossa on merkintä .
- Käytä pakastusosastoa pakasteiden pitkäaikaiseen säilytykseen ja jään valmistamiseen.
- Saavuttaaksesi pakastusosaston enimmäiskapasiteetin, käytä pelkästään ylintä lasihyllyä ja keskimmäistä lasihyllyä. Käytä alalokeroa alaosassa.
- Älä aseta elintarvikkeita jotka aiot pakastaa jo pakastettujen elintarvikkeiden viereen.
- Pakasta haluamasi elintarvikkeet (liha, jauheliha, kala jne.) jakamalla ne osiin niin että voidaan nauttia yhdellä kertaa.

- Älä pakasta sulatettuja elintarvikkeita uudelleen sulatuksen jälkeen. Uudelleen pakastaminen voi aiheuttaa muun muassa ruokamyrkyksen.
- Älä aseta kuumia ruokia pakastimeen ennen kuin ne ovat viilentyneet. Kuumuus voi aiheuttaa aiemmin pakastettujen ruokien mätänemisen.
- Ostaessasi pakasteita, varmistu siitä että ne on säilytetty asianmukaisissa olosuhteissa ja ettei pakkaus ole vaurioitunut.
- Säilytessäsä pakastettuja elintarvikkeita, pakkauksen vaatimia säilytysolosuhteita tulee ehdottomasti noudattaa. Jos pakkauksesta ei löydy tietoja säilyvyydestä, käytä tuote mahdollisimman pian.
- Jos pakastetut elintarvikkeet ovat kosteita ja jos niiden haju on epämiellyttävä, elintarvikkeita on voitu säilyttää epäasianmukaisissa olosuhteissa ja ne ovat voineet pilaantua. Älä osta tällaisia ruokia!
- Pakasteen säilytysaika vaihtelee riippuen ympäristön lämpötilasta, ovien toistuvasta avaamisesta ja sulkemisesta, termostaatin asetuksista, elintarvikkeen tyypistä ja ajasta joka on kulunut pakasteen ostamisesta hetkeen jona se on laitettu pakastimeen. Noudata pakkauksen ohjeita säilytysajasta, älä ylitä suositeltua säilytysaikaa.
- Älä avaa pakastusosaston ovea pitkään kestäneen sähkökatkon aikana. Tämä arvo laskee ympäristön lämpötilan ollessa korkeampi. Pidempään kestäneen sähkökatkoksen aikana, älä pakasta elintarvikkeita uudelleen ja nauti niin nopeasti kuin mahdollista.

**Huomaa että:** jos haluat avata pakastimen oven uudelleen heti sulkemisen jälkeen, ovi ei aukea yhtä helposti. Tämä on täysin tavallista! Saavutettuaan tasapainotilan, ovi aukeaa taas helposti.

#### **Tärkeä huomautus:**

- *Sulatetut pakasteet tulee kypsentää samalla tavoin kuin tuoreet elintarvikkeet. Jos ruoka-aineita ei valmisteta sulattamisen jälkeen, niitä EI KOSKAAN saa pakastaa uudelleen.*
- Joidenkin valmistettujen ruokien mausteiden (anis, basilika, vesikrassi, viinietikka, yleismauste, inkivääri, valkosipuli, sipuli, sinappi, tinjami, mustapippuri, jne.) maku muuttuu ja voimistuu kun niitä säilytetään pitkään. Siksi pakastettavaan ruokaan kannattaa laittaa vain vähän mausteita ennen pakastamista ja lisätä haluttuja mausteita sulatuksen jälkeen.
- Säilytysaika riippuu myös ruoassa käytetystä öljystä. Pakastamiseen soveltuvia öljyjä ovat margariini, vasikanrasva, oliiviöljy ja voi. Pakastamiseen soveltumattomia ovat maapähkinäöljy ja ihra.
- Nestemäiset ruoat tulee pakastaa muoviasiatioissa ja muut ruoat joko muovikelmussa tai muovipusseissa.

Liha ja kala	Valmistelut	Pisin säilytysaika (kuukautta)
Pihvi	Kääritynä folioon	6 - 8
Lampaanliha	Kääritynä folioon	6 - 8
Vasikanpaisti	Kääritynä folioon	6 - 8
Vasikanliha kuutioina	Pieninä paloina	6 - 8
Lampaanliha kuutioina	Paloina	4 - 8
Jauheliha	Pakkauksessaan ilman mausteita	1 - 3

Liha ja kala	Valmistelut	Pisin säilytysaika (kuukautta)
Sisälmykset (paloina)	Paloina	1 - 3
Bolognan makkara/salami	Tulee pakata vaikka olisi kuorellinen	
Kana ja kalkkuna	Käärittynä folioon	4 - 6
Hanhi ja ankk	Käärittynä folioon	4 - 6
Hirvi, jänis, villisika	2,5kg annoksina ja fileenä	6 - 8
Makeanveden kalat (lohi, karppi, nieriä, monni)	Kun olet suolistanut ja suomustanut kalan pese ja kuivaa se, jos tarpeen leikkaa irti pää sekä pyrstö.	2
Vähärasvaiset kalat; ahven, piikkikampela,kampela		4
Rasvaiset kalat (tonnikala, makrilli, sinikala, sardelli)		2 - 4
Äyriäiset	Pestynä ja pakattuna pusseihin	4 - 6
Kaviaari	Omassa pakkauksessaan, alumiinisessa tai muovisessa rasiassa	2 - 3
Etanat	Suolavedessä, alumiinisessa tai muovisessa rasiassa	3
 <b>Huomaa:</b> Pakastettu liha tulee valmistaa samalla tavoin kuin tuore sulatuksen jälkeen. Jos lihaa ei kypsennetä sulatuksen jälkeen, sitä ei koskaan saa pakastaa uudelleen.		

Kasvikset ja hedelmät	Valmistelut	Pisin säilytysaika (kuukautta)
Palkokasvit ja pavut	Pese ja leikkaa pieniksi paloiksi ja keitä vedessä	10 - 13
Pavut	Katko varret, pese ja keitä vedessä	12
Kaali	Pese ja keitä vedessä	6 - 8
Porkkana	Pese, leikkaa siivuiksi ja keitä vedessä	12
Paprika	Leikkaa juuret, halkaise kahteen osaan, poista kota ja keitä vedessä	8 - 10
Pinaatti	Pese ja keitä vedessä	6 - 9
Kukkakaali	Irrota lehdet, leikkaa ydin paloiksi ja jätä sitruunamehulla maustettuun veteen hetkeksi aikaa.	10 - 12
Munakoiso	Pese ja leikkaa 2cm osiin	10 - 12
Maissi	Puhdista ja pakkaa juurinen tai säilö sokerimaissina	12
Omenat ja päärynät	Kuori ja viipaloi	8 - 10
Aprikoosit ja persikat	Leikkaa kahteen osaan ja poista kivet	4 - 6
Mansikat ja mustikat	Pese ja katko varret	8 - 12
Kypsennetyt hedelmät	Lisää 10 % sokeria astiaan	12
Luumut, kirsikat, happamat marjat	Pese ja katko varret	8 - 12




	Pisin säilytysaika (kuukautta)	Sulatusaika huoneenlämmössä (tuntia)	Sulatusaika uunissa (minuuttia)
Leivät	4 - 6	2 - 3	4-5 (220-225 °C)
Pikkuleivät	3 - 6	1 - 1,5	5-8 (190-200 °C)
Leivonnaiset	1 - 3	2 - 3	5-10 (200-225 °C)
Piirakat	1 - 1,5	3 - 4	5-8 (190-200 °C)
Filotaikinasta tehdyt leivokset	2 - 3	1 - 1,5	5-8 (190-200 °C)
Pitsa	2 - 3	2 - 4	15-20 (200 °C)

Maitotuotteet	Valmistelut	Pisin säilytysaika (kuukautta)	Säilytysolosuhteet
Purkki (homogenoitua) maitoa	Omassa pakkauksessaan	2 - 3	Puhdas maito – omassa pakkauksessaan
Juusto-poislukien tuorejuustot	Siivuina	6 - 8	Alkuperäistä pakkausta voidaan käyttää lyhytkestoiseen säilytykseen. Juusto tulisi kääriä folioon pitkäkestoista säilytystä varten.
Voi, margariini	Omassa pakkauksessaan	6	


## OSA -4. PUHDISTAMINEN JA YLLÄPITO

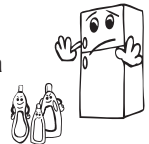
 Varmista että irrotat jääkaapin verkkovirrasta ennen kuin alat puhdistamaan sitä.



 Älä pese jääkaappia kaatamalla vettä sen sisään.



 Älä koskaan käytä herkästi syttyviä, räjähtäviä tai syövyttäviä materiaaleja kuten liuottimia, suihkeita tai happoja laitteen puhdistamiseen.



- Voit pyyhkiä jääkaapin sisä- ja ulkopuolen pehmeällä kankaalla tai sienellä käyttäen lämmintä saippuavettä.



- Irrota osat yksitellen ja puhdista ne saippuavedellä. Älä pese osia astianpesukoneessa.



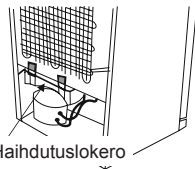
- Lauhdutin tulee puhdistaa harjalla vähintään kerran vuodessa jotta laitteen energiansäästö ja tuottavuus pysyisivät ennallaan.



**Varmistu siitä että jääkaappi on irrotettu verkkovirrasta puhdistamisen aikana.**

## Sulattaminen

- Jääkaappisi sulatustoiminto on täysin automaattinen. Sulatuksen seurauksena muodostuva vesi kulkee vedenkeruukouruun, virtaa siitä haihdutussäiliöön jääkaapin takana ja haihtuu itsestään.
- Varmista että olet irrottanut jääkaapin verkkovirrasta ennen kuin alat puhdistamaan haihdutussäiliötä.
- Irrota haihdutussäiliö paikaltaan avaamalla ruuvit kuvan mukaisesti. Puhdista se saippuavedellä määrättyinä aikaväleinä. Näin, estät ylimääräisten tuoksujen muodostumisen jääkaapin sisään.

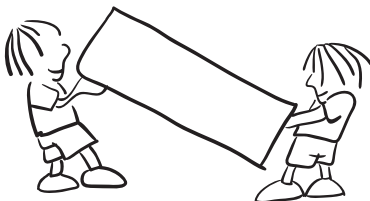


## LED-valaistuksen vaihtaminen

Jos jääkaapissasi on LED-valaistus ota yhteyttä asiakastukeen, valaisin tulee vaihtaa vain valtuutetun huoltohenkilöstön toimesta.

## OSA -5. KULJETUS JA PAIKOILLEEN ASENTAMINEN

- Voit säilyttää alkuperäisen pakkauksen ja vaahtomuovin uudelleenkuljetusta varten (vaihtoehtoisesti).
- Pakkaa jääkaappi paksuun pakkaukseen, tai kiedo se teipillä tai vahvalla narulla ja noudata pakkauksessa olevia ohjeita uudelleenkuljetusta varten.
- Poista liikkuvat osat (hyllyt, lisävarusteet, juureslokerot jne.) tai kiinnitä ne jääkaappiin teipillä siirtämisen ja kuljetuksen ajaksi.



**Kuljeta jääkaappia pystyasennossa.**

## Oven avauspuolen vaihtaminen

- Oven avauspuolen vaihtaminen ei ole mahdollista jos jääkaapin ovenkahvat on asennettu oven etupintaan.
- Oven kätsyyden vaihtaminen on mahdollista malleissa, joissa ei ole ovenkahvoja sekä malleissa, joissa kahvat on asennettu sivulle.
- Jos jääkaappisi oven avauspuolta on mahdollista vaihtaa, ota yhteyttä lähimpään valtuutettuun huoltoliikkeeseen puolen vaihtamiseksi.

## OSA -6. TARKISTA ENNEN HUOLTOON SOITTOA

### Tarkista varoitukset:

Jääkaappisi varoittaa, jos pakastimen ja jääkaapin lämpötilat ovat väärällä tasolla tai jos laitteessa ilmenee ongelmia. Varoituskoodit näkyvät pakastimen ja jääkaapin näytöllä.

VIAN TYYPPI	MERKITYS	SYY	RATKAISU
E01	Anturin varoitus		Soita valtuutettuun huoltoon mahdollisimman pian.
E02			
E03			
E06			
E07			
E08	Matalan jännitteen varoitus	Laitteen virransyöttö on laskenut alle 170 V:n.	<p>- Kyseessä ei ole laitteen vioittuminen: tämä virhe estää kompressorin vahingoittumisen.</p> <p>- Jännitetä on lisättävä, kunnes se on jälleen vaaditulla tasolla.</p> <p>Jos tämä varoitus ei poistu, on otettava yhteys valtuutettuun asentajaan.</p>
E09	Pakastinosasto ei ole tarpeeksi kylmä.	Todennäköinen tilanne, kun sähkökatko on kestänyt pitkään.	<ol style="list-style-type: none"><li>1. Aseta pakastin kylmemmälle asetukselle tai tehopakastukselle. Virhekoodin pitäisi poistua, kun tarvittava lämpötila on saavutettu. Älä avaa luukkuja, jotta tarvittava lämpötila saavutetaan mahdollisimman nopeasti.</li><li>2. Poista kaikki tuotteet, jotka ovat sulaneet tämän virheen aikana. Ne sopivat käytettäväksi lyhyen ajan kuluessa.</li><li>3. Älä lisää pakastinosastoon tuoretavaroita, kunnes se oikea lämpötila on saavutettu ja virhe on poistunut.</li></ol> <p>Jos tämä varoitus ei poistu, on otettava yhteys valtuutettuun asentajaan.</p>

VIAN TYYPPI	MERKITYS	SYY	RATKAISU
E10	Jääkaappiosasto ei ole tarpeeksi kylmä.	<b>Todennäköinen tilanne, kun</b> - sähkökatko on kestänyt pitkään. - jääkaappiin on laitettu kuumaa ruokaa.	1. Aseta jääkaappi kylmemmälle asetukselle tai pikajäähdytykselle. Virhekoodin pitäisi poistua, kun tarvittava lämpötila on saavutettu. Älä avaa luukkua, jotta tarvittava lämpötila saavutetaan mahdollisimman nopeasti. 2. Tyhjennä ilmakehän aukon edusta. Älä laita ruokaa lähelle anturia. Jos tämä varoitus ei poistu, on otettava yhteys valtuutettuun asentajaan.
E11	Jääkaappiosasto on liian kylmä.	Useita.	1. Tarkista, että pikajäähdytystila on käytössä. 2. Alenna jääkaappiosaston lämpötilaa. 3. Tarkista, että ilmanvaihtoaukot ovat puhtaat ja ettei niissä ole tukosta. Jos tämä varoitus ei poistu, on otettava yhteys valtuutettuun asentajaan.

Jos jääkaappi ei toimi tyydyttävästi tämä voi johtu pienestä viasta. Tarkista seuraavat kohdat ennen kuin otat yhteyttä huoltoon.

#### Jos jääkaappisi ei käynnisty:

- Ovatko sähkötkatkenneet?
- Onko pistoke liitetty pistorasiaan oikein?
- Onko sulake johon pistoke on liitetty tai pääsulake palanut?
- Onko pistorasiassa vikaa? Voit helposti tarkistaa pistorasian toimivuuden liittämällä jääkaapin varmasti toimivaan pistorasiaan.

#### Jos jääkaappi ei jäähdytä tarpeeksi:

- Onko lämpötila säädetty oikein?
- Avataanko jääkaapin ovea usein ja pidetäänkö sitä pitkään auki?
- Onko jääkaapin ovi suljettu kunnolla?
- Onko jääkaappiin laitettu astia tai ruokaa joka ottaa kiinni jääkaapin takaseinään ja estää näin ilman kierron?
- Onko jääkaappi liian täynnä?
- Onko jääkaapin ja taka- sekä sivuseinien väliin jätetty tarpeeksi tyhjää tilaa?
- Onko ympäristön lämpötila käyttöoppaassa mainittujen raja-arvojen sisällä?

### **Jos jääkaapissa olevat elintarvikkeet ovat liian viileitä**

- Onko lämpötila säädetty oikein?
- Onko pakastinlokeroon laitettu hiljattain useita elintarvikkeita? Jos näin on, jääkaappi voi viilentää jääkaappiosastossa olevia elintarvikkeita liikaa koska se toimii pidempään jäähdyttääkseen nämä elintarvikkeet.

### **Jos jääkaappi pitää liikaa ääntä:**

Pitääkseen yllä asetettua lämpötilaa, kompressorin voi käynnistyä ajoittain. Jääkaapista tänä aikana kuuluvat äänet ovat tavanomaisia ja johtuvat kompressorin toiminnasta. Kun haluttu lämpötila on saavutettu, äänet vaimentuvat automaattisesti. Jos äänet jatkuvat:

- Onko laite vakaa? Onko jalat säädetty oikein?
- Onko jääkaapin takana jotakin?
- Tärisevätkö hyllyt tai hyllyille asetetut astiat? Vaihda hyllyjen ja/tai astioiden paikkaa tässä tapauksessa.
- Tärisevätkö jääkaapin päälle asetetut esineet?

### **Tavanomaisia ääniä:**

#### **Halkeileva (jään murtuminen) ääni:**

- Automaattisen sulatuksen aikana.
- Kun laitetta jäähdytetään tai lämmitetään (johtuen kylmäaineen laajenemisesta).

**Lyhyt halkeilu:** Kuuluu, kun termostaatti kytkee kompressorin päälle/pois.

**Kompressorin ääni (tavanomainen moottoriääni):** Tämä ääni tarkoittaa että kompressorin toimii normaalisti. Kompressorin voi aiheuttaa enemmän lyhytkestoista melua sen käynnistyessä.

**Kupliva ja roiskuva ääni:** Tämä ääni johtuu kylmäaineen virtauksesta järjestelmän putkistossa.

**Virtaavan veden ääni:** Normaali virtausmelu veden virratessa haihdutussäiliöön sulattamisen aikana. Tämän äänen voi kuulla sulatuksen aikana.

**Kiertävän ilman ääni (tuulettimen puhallusääni):** No-Frost jääkaappi voi pitää tätä ääntä kierrättäessään ilmaa, järjestelmän toimiessa normaalisti.

### **Jos jääkaappiin kerääntyy kosteutta:**

- Onko kaikki elintarvikkeet pakattu huolellisesti? Ovatko astiat kuivuneet ennen niiden asettamista jääkaappiin?
- Onko jääkaapin ovia avattu usein? Huoneen ilmankosteus pääsee jääkaapin sisään kun ovia avataan. Kosteutta kerääntyy jääkaapin sisään nopeammin, erityisesti jos huoneen ilmankosteus on korkea.

### **Jos ovet eivät aukea tai mene kunnolla kiinni:**

- Ovatko elintarvikkeet oven tiellä?
- Onko ovilokerot, hyllyt ja laatikot sijoitettu oikein?
- Ovatko oven tiivisteet rikkoontuneet tai repeytyneet?
- Onko jääkaappi asetettu tasaiselle alustalle?

### **Jos seinäkaapin reunat jotka ottavat kiinni jääkaapin oven saranoihin ovat lämpimiä:**

Erityisesti kesällä (kuumalla ilmalla), saranoihin kiinni ottavat pinnat voivat lämmetä kompressorin käymisen aikana, tämä on täysin normaalia.

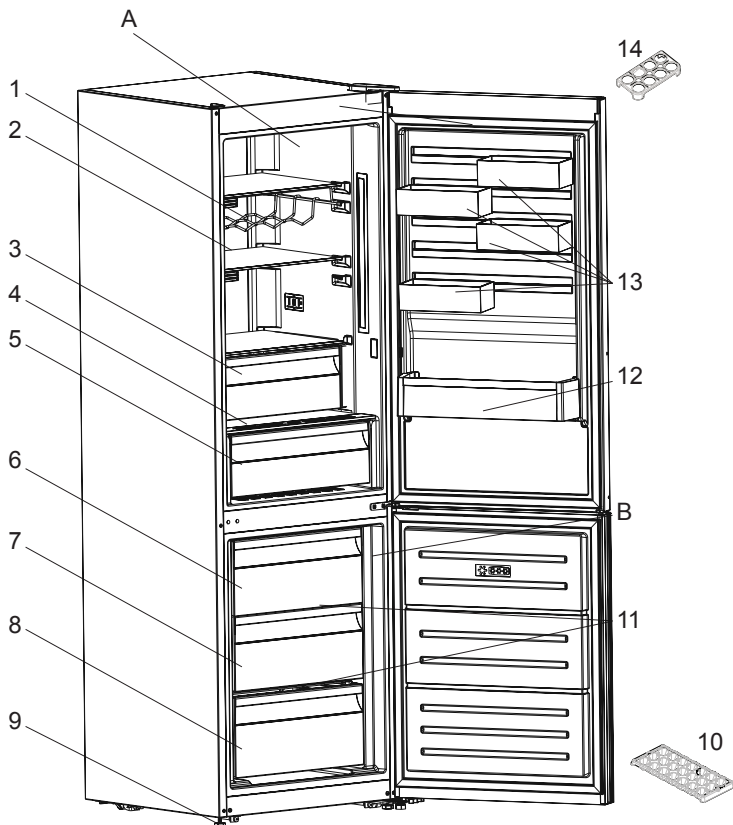
## **TÄRKEITÄ HUOMAUTUKSIA:**

- Kompressorin suojaus aktivoituu äkillisen sähkökatkoksen tai verkkovirrasta irrottamisen seurauksena, koska laitteen jäähdytysjärjestelmässä oleva kaasu ei ole vielä tasoittunut. Jääkaappi käynnistyy viiden minuutin kuluttua sähkön kytkeytymisen jälkeen.
- Jos et aio käyttää jääkaappia pitkään aikaan (esim. kesäloman aikana) irrota se verkkovirrasta. Puhdista jääkaappi osiossa 4 kuvatulla tavalla ja jätä ovi auki jotta jääkaappiin ei kerääntyisi ylimääräistä kosteutta ja tuoksuja.
- Jos ongelma jatkuu, vaikka olet noudattanut kaikkia edellä annettuja ohjeita, ota yhteys lähimpään valtuutettuun huoltoliikkeeseen.
- Ostamasi laite on suunniteltu vain kotitalouskäyttöä varten ja sitä voidaan käyttää vain kotona ja ainoastaan edellä mainittuihin käyttötarkoituksiin. Laite ei sovellu kaupallisiin tai julkisiin käyttötarkoituksiin. Jos laitetta käytetään näiden ehtojen vastaisesti, ei valmistaja tai myyjä ole vastuussa laitteen korjaamisesta tai sen mahdollisesta rikkoutumisesta takuuajan sisällä.

## **Vinkkejä energian säästöön**

1. Asenna laite viileään, hyvin ilmastoituun huoneeseen kauas suorasta auringonvalosta ja muista lämmönlähteistä (lämpöpattereista, liesistä jne.) Muussa tapauksessa käytä eristelevyä.
2. Anna lämpimien ruokien ja juomien jäähtyä ennen kuin asetat ne jääkaappiin.
3. Sulattaessasi pakasteita, aseta ne jääkaappiosastoon. Pakasteiden matala lämpötila auttaa viilentämään jääkaappiosastoa sulatuksen aikana. Näin säästät energiaa. Jos otat pakasteet suoraan ulos, energiaa kuluu hukkaan.
4. Asettaessasi juomia ja ruoantähteitä jääkaappiin, ne tulee peittää. Muuten laitteen sisällä oleva ilmankosteus kasvaa. Tämä johtaa siihen että laitteen täytyy työskennellä tehokkaammin saavuttaakseen alhaisen lämpötilan. Juomien ja ruoantähteiden peittäminen auttaa myös aromin ja maun säilyttämisessä.
5. Asettaessasi elintarvikkeita ja juomia jääkaappiin, pidä jääkaapin ovea auki niin vähän kuin mahdollista.
6. Pidä muiden osastojen kannet suljettuina (juureslokero, viileäkaappi ...jne).
7. Oven tiivisteeseen tulee olla puhdas ja joustava. Jos tiiviste on kulunut ja sen voi irrottaa, vaihda tiiviste uuteen. Jos tiivistettä ei voi irrottaa, laitteeseen on vaihdettava uusi ovi.
8. Eco-tila/oletusasetus säilyttää tuoreet ja pakastetut ruoat sekä säästää energiaa.
9. Tuoreen ruoan lokero (jääkaappi): Energia käytetään tehokkaimmin, kun laatikot ovat laitteen alaosassa ja hyllyt on jaettu tasaisesti. Ovikorien paikka ei vaikuta energiankulutukseen.
10. Pakastelokero (pakastin): Laite on määritetty siten, että se käyttää energiaa mahdollisimman tehokkaasti.
11. Älä poista pakastelokerossa olevia kylmäsäiliöitä (jos sellaiset on asennettu).

## OSA -7. LAITTEEN OSAT JA OSASTOT



Tämä esitys on tarkoitettu vain antamaan tietoa laitteen osista. Osat voivat vaihdella laitteen mallin mukaan.

A) Jääkaappilokero

B) Pakastinosasto

1) Viinitelinet \*

2) Jääkaapin hyllyt

3) Lisäjäähdytyslokero (Jäähdytyslokero) \*

4) Vihanneslokeron kansi

5) Vihanneslokero

6) Pakastimen yläkori

7) Pakastimen keskikori

8) Pakastimen alakori

9) Säätöjalat

10) Jääpalalokero

11) Lasiset pakastushyllyt \*

12) Pullohylly

13) CustomFlex

14) Munakotelo

\* Joissakin malleissa

## **OSA -8. TEKNISET TIEDOT**

Tekniset tiedot on merkitty laitteen sisäpuolella olevaan tyyppikilpeen ja energiamerkintään. Laitteen mukana toimitetun energiamerkinnän QR-koodi on web-linkki laitteen suorituskykyyn liittyviin EU:n EPREL-tietokannan tietoihin.

Säilytä energiamerkintä myöhempää tarvetta varten yhdessä käyttöohjeen ja kaikkien muiden tämän laitteen mukana toimitettujen asiakirjojen kanssa.

Samat tiedot löytyvät myös EPREL:stä käyttämällä linkkiä <https://eprel.ec.europa.eu> ja laitteen tyyppikilvestä löytyvää mallinimeä ja tuotenumeroa..

Katso osoitteesta [www.theenergylabel.eu](http://www.theenergylabel.eu) lisätietoja energiamerkinnästä.

## **OSA -9. TIETOJA TESTAUSLAITOKSILLE**

Laitteen asennuksen ja valmistelun EcoDesign-vahvistusta varten on oltava standardin EN 62552 mukainen. Ilmanvaihtovaatimusten, syvennysmittojen ja vähimmäisetäisyyden takaosassa on oltava kuten tämän käyttöohjeen OSASSA 1 on ilmoitettu. Ota yhteyttä valmistajaan saadaksesi muita lisätietoja, sisältäen täyttösuunnitelmat.





**NO**

**BRANN**

**Advarsel: Risiko for brann / brennbare materialer**

# INNHOOLD

<b>FØR DU BRUKER APPARATET .....</b>	<b>133</b>
Generelle advarsler .....	133
Sikkerhetsadvarsler .....	137
Installere og bruke kjøleskapet ditt .....	138
Før du bruker kjøleskapet ditt .....	138
Mål .....	139
<b>DE FORSKJELLIGE FUNKSJONENE OG MULIGHETENE .....</b>	<b>140</b>
Informasjon om siste generasjons kjøleteknologi .....	140
Display og kontrollpanel .....	141
Bruke kombiskapet .....	141
Superfrysmodus (Super freeze) .....	141
Superkjølemodus (Super Cool) .....	142
Økonomimodus (ECO) .....	142
Feriemodus .....	143
Modus for avkjøling av drikkevarer (Drink Cool) .....	143
Barnesikringsfunksjon .....	143
Skjermsparermodus .....	144
Temperaturinnstillinger .....	144
Temperaturinnstillinger for fryser .....	144
Temperaturinnstillinger for kjøler .....	145
Advarsler om justeringer av temperatur .....	145
Tilbehør .....	147
Isterningsbrett .....	147
Fryseboks .....	147
Ekstra kjølerom .....	147
Fuktighetsregulator .....	148
CustomFlex .....	148
<b>ORGANISERE MATVARENE I APPARATET .....</b>	<b>149</b>
Kjøleskapskammer .....	149
Frysekammer .....	149
<b>VASKING OG VEDLIKEHOLD .....</b>	<b>152</b>
Avising .....	153
<b>FRAKT OG REPOSISJONERING .....</b>	<b>153</b>
Reposisjonere døren .....	153

<b>FØR DU RINGER ETTER SERVICE .....</b>	<b>154</b>
Tips for energisparing.....	157
<b>DELENE TIL APPARATET OG KAMMEREENE .....</b>	<b>158</b>
<b>TEKNISK DATA.....</b>	<b>159</b>
<b>INFORMASJON TIL TESTINSTITUTT.....</b>	<b>159</b>

## FOR PERFEKTE RESULTATER

Takk for at du valgte dette AEG-produktet. Vi har laget det for å gi deg en unik ytelse i mange år, med innovative teknologier som gjør livet enklere, med funksjoner som du kanskje ikke finner i vanlige apparater. Bruk noen minutter på å lese for å få mest mulig ut av produktet ditt.

Besøk nettsiden vår for å:



Få bruksråd, brosjyrer, feilsøking, service og reparasjonsinformasjon.

**[www.aeg.com/support](http://www.aeg.com/support)**



Registrer produktet ditt for bedre service:

**[www.registeraeg.com](http://www.registeraeg.com)**



Kjøp tilbehør, forbruksvarer og originale reservedeler til apparatet ditt:


**[www.aeg.com/shop](http://www.aeg.com/shop)**

## KUNDESTØTTE OG SERVICE

Bruk alltid originale reservedeler.

Når du tar kontakt med vårt autoriserte servicesenter, påse at du har følgende informasjon tilgjengelig: Modell, produktnummer (PNC), serienummer.

Informasjonen kan finnes på typeskiltet.

 Advarsel / Forsiktig - sikkerhetsinformasjon

 Generell informasjon og tips

 Miljøinformasjon

Kan endres uten varsel.

## **DEL - 1. FØR DU BRUKER APPARATET**

### **Generelle advarsler**

Vennligst les bruksanvisningen nøye før du installerer og bruker apparatet ditt. Vi er ikke ansvarlige for skade som oppstår grunnet feil bruk.

Følg alle instruksjonene på apparatet ditt og i bruksanvisningen, og oppbevar denne bruksanvisningen på et trygt sted for å løse problemer som kan oppstå i fremtiden.

Apparatet er ikke beregnet å brukes som et innebygget apparat. Hvis, på grunn av annerledes montering, krav til tilfredsstillende ventilasjon ikke respekteres, vil produktet fungere korrekt, men energiforbruket kan øke noe.

**⚠ ADVARSEL:** Hold ventileringsåpninger, i apparatets kabinett eller i den innebygde strukturen, fri for hindringer.

**⚠ ADVARSEL:** Ikke bruk mekaniske enheter eller andre måter for å akselerere avisningsprosessen, annet enn det som er anbefalt av produsenten.

**⚠ ADVARSEL:** Ikke bruk elektriske apparater inne i matvarekammerne i apparatet, med mindre de er av en type som er anbefalt av produsenten.

**⚠ ADVARSEL:** Ikke skad kjølekretsen.

**⚠ ADVARSEL:** Når du plasserer apparatet, må du påse at strømledningen ikke blir sittende fast eller kommer til skade.

**⚠ ADVARSEL:** Du må ikke plassere flere skjøteledninger eller strømkontakter bak apparatet.

**⚠ ADVARSEL:** For å unngå fare forårsaket av et ustabil apparat, må det fikses slik det står i instruksjonene.

**⚠** Dersom apparatet bruker R600a som et kjølemiddel - kan du få denne informasjonen fra kjølerens etikett - du bør være forsiktig under frakt og installasjon for å hindre skade på kjøleelementene.

Selv om R600a er en miljøvennlig og naturlig gass. Siden den er eksplosiv må du, dersom det er en lekkasje, flytte kjøleskapet ditt fra åpen flamme eller varmekilder, og ventilere rommet der apparatet står i noen få minutter.

- Hold all emballasje borte fra barn og kast den på riktig måte.
- Mens du bærer og setter på plass kjøleskapet, ikke ødelegg kjølegasskretsen.
- Ikke lagre eksplosivt materiale slik som aerosol-kanner med flammende drivstoff i dette apparatet.
- Apparatet er ment å brukes i husholdninger og lignende apparater som;
  - personalkjøkken i butikker, kontor og andre jobbsteder
  - gårdshus og klienter på hotell, motell og andre overnattingssteder
  - hærberger og lignende
  - catering og lignende ikke-detalj apparater
- Dersom støpstelet ikke passer til kjøleskapsledningen, må den byttes av produsenten, serviceagenten eller lignende kvalifisert personell for å unngå fare.
- Et spesielt jordingsstøpsel har blitt koblet til strømkabelen på kjøleskapet. Dette støpselet må brukes i en jordet stikkontakt på en 16 ampere eller 10 ampere krets, i henhold til landet der produktet selges. Dersom det ikke finnes en slik stikkontakt i huset ditt, må du få en installert av en autorisert elektriker.
- Dette apparatet kan brukes av barn fra 8 år og oppover, og personer med redusert helse eller med mangel på erfaring og kunnskap dersom de har tilsyn eller blir instruert i riktig og sikker bruk, og forstår faren som er involvert. Barn skal ikke leke med apparatet. Vasking og vedlikehold skal ikke utføres av barn uten tilsyn.
- Barn i alderen mellom 3 til 8 år har lov til å laste inn og utav kjøleapparater. Barn er ikke forventet å utføre rengjøring eller

vedlikehold av apparatet. Det forventes at småbarn (0-3 år) ikke bruker apparater. Det er forventet at unge barn (3-8 år) tryggy kan bruke apparater, forutsatt at det gis kontinuerlig tilsyn. Eldre barn (8-14 år) og sårbare mennesker som kan bruke apparater trygt etter at de har fått riktig tilsyn eller instruksjon for bruk av apparatet. Svært sårbare mennesker forventes ikke å bruke apparater trygt hvis ikke kontinuerlig tilsyn er gitt.

- Dersom ledningen er skadet, må den skiftes av produsenten, dens serviceagent eller lignende kvalifisert personell for å unngå fare.
- Dette apparatet skal ikke brukes i høyder som overstiger 2000 moh.

### **For å unngå forurensing av mat, følg disse instruksjonene:**

- Å ha døren åpen i lange perioder, kan føre til en betydelig økning i temperaturen i apparatets rom.
- Rengjør jevnlig overflater som kan komme i kontakt med mat og tilgjengelige dreneringssystemer.
- Oppbevar rå kjøtt og fisk i egnede beholdere i kjøleskapet, slik at det ikke kommer i kontakt med, eller drypper på annen mat.
- To-stjerners fryseskuffer er egnet for oppbevaring av forfrossen mat, lagring eller fremstilling av iskrem og å lage isterninger.
- Ett-, to- og tre-stjerners rom er ikke egnet for frysing av fersk mat.
- Hvis kjøleapparatet er tomt i lange perioder, må du slå av, avrim, rengjøre, tørke og la døren stå åpen for å forhindre muggdannelse i apparatet.

## Service

- Kontakt autorisert servicesenter for å reparere apparatet. Bruk kun originale reservedeler.
- Vær oppmerksom på at selvreparasjon eller reparasjon som ikke er fagmessig kan ha sikkerhetsmessige konsekvenser og kan gjøre garantien ugyldig.
- Følgende reservedeler vil være tilgjengelige i 7 år etter at modellen er avviklet: termostater, temperatursensorer, kretskort, lyskilder, dørhåndtak, dørhengsler, skuffer og kurver.
- Vær oppmerksom på at noen av disse reservedelene bare er tilgjengelige for profesjonelle reparatører, og at ikke alle reservedeler er relevante for alle modeller.
- Dørpakninger vil være tilgjengelige i 10 år etter at modellen er avviklet.



## Gamle kjøleskap i ustand

- Dersom ditt gamle kjøleskap har en lås, ødelegg eller fjern den før du kaster det, fordi barn kan sitte fast inne i det og det kan føre til en ulykke.



- Gamle kjøleskap og fryserer inneholder isolasjonsmateriale og kjølemiddel med CFC. Vær derfor veldig forsiktig for å ikke skade miljøet når du kvitter deg med det gamle kjøleskapet ditt.

Vennligst hør med rette instans i kommunen om å kvitte seg med WEEE med tanke på gjenbruk, resirkulering eller reparering.

## NB!

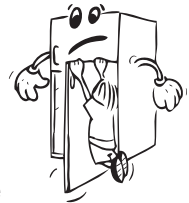
- Dette apparatet er produsert for å brukes i hjemmet, og det kan bare brukes i husholdningsmiljøer og for det spesifiserte bruksområdet. Det er ikke passende for kommersiell eller felles bruk. Slik bruk vil føre til at garantien på apparatet blir kansellert, og selskapet vårt vil ikke være ansvarlige for tapene det kan medføre.
- Dette apparatet er produsert for å brukes i hus, og det passer kun til kjøling og lagring av matvarer. Det er ikke passende for kommersiell eller felles bruk, og/eller for å lagre annet materiale enn matvarer. Selskapet vårt er ikke ansvarlige for tapene som kan oppstå i motsatt fall.

## Sikkerhetsadvarsler

- Ikke bruk flere uttak eller skjøteledning.
- Ikke plugg inn ødelagte, slitte eller gamle kabler.
- Ikke dra, bøyer eller skad ledningen.



- Det må ikke brukes adapter på kontakten.
- Dette apparatet er designet for å brukes av voksne, ikke la barn leke med apparatet eller la dem henge i døra.
- Ikke plugg inn eller ut pluggen fra uttaket med våte hender for å unngå strømsjokk!



- Ikke plasser glassflasker eller drikkebokser i fryseren. Flasker eller bokser kan eksplodere.



- Ikke plasser eksplosivt eller brennbart materiale i kjøleskapet for din egen sikkerhet. Plasser drikke med høyere alkoholinnhold vertikalt og ved å lukke korkene deres skikkelig i kjølekammeret.



- Når du tar is som er laget i frysekammeret, ikke rør den, is kan føre til forfrysning og/eller kutt.

- Ikke rør frosne varer med våte hender! Ikke spis iskrem og iskuber rett etter du har tatt dem ut fra fryseren!

- Ikke frys ned mat som allerede har vært frossent etter at det har tint. Dette kan være helseskadelig og blant annet føre til matforgiftning.



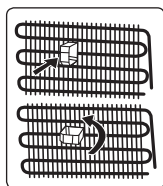
- Ikke dekk til kroppen eller toppen av kjøleskapet med snøre. Dette påvirker ytelsen til kjøleskapet ditt.

- Fiks tilbehøret i fryseren under transport for å unngå å skade det.

## Installere og bruke kjøleskapet ditt

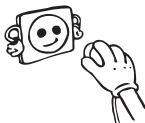
Før du begynner å bruke kjøleskapet ditt bør du legge merke til følgende punkter:

- Driftspenningen for kjøleskapet ditt er 220-240 v ved 50Hz.
- Vi tar ikke ansvar for skadene som følger av ujordet bruk.
- Plasser kjøleskapet ditt på et sted der det ikke blir utsatt for direkte sollys.
- Apparatet ditt bør være minst 50 cm fra komfyrer, gassovner og varmeapparater, og det bør være minst 5 cm fra elektriske ovner.
- Kjøleskapet ditt bør aldri brukes utendørs eller etterlatt i regn.
- Ikke plasser noen ting under fryseren din, og sett fryseren din på en passende plass slik at det er minst 15 rom over.
- De justerbare forbenene bør stabiliseres i en passende høyde for å la kjøleskapet ditt operere på en stabil og riktig måte. Du kan justere benene ved å skru de med klokka (eller i motsatt retning). Dette bør gjøres før man plasserer matvarer i kjøleskapet.
- Før du bruker kjøleskapet ditt, vask alle delene med varmt vann tilsatt en teskje natriumbikarbonat, og rens det så med rent vann og la det tørke. Sett alle delene på plass etter vasking.
- Installer lengdejusteringsplasten (den delen med sorte vaner på baksiden) ved å snu den 90° som vist i figuren for å unngå at kondenseren berører veggen.
- Avstanden mellom apparatet og bakveggen må være minst 42 mm og maksimalt 75 mm.



## Før du bruker kjøleskapet ditt

- Når det brukes for første gang eller etter transport, la kjøleskapet ditt stå oppreist i 3 timer før du plugges det inn for best bruk. Ellers kan du skade kompressoren.
- Kjøleskapet ditt kan lukte litt når det brukes første gang; lukten vil gradvis forsvinne når kjøleskapet ditt begynner å kjøle.



## Intern belysning

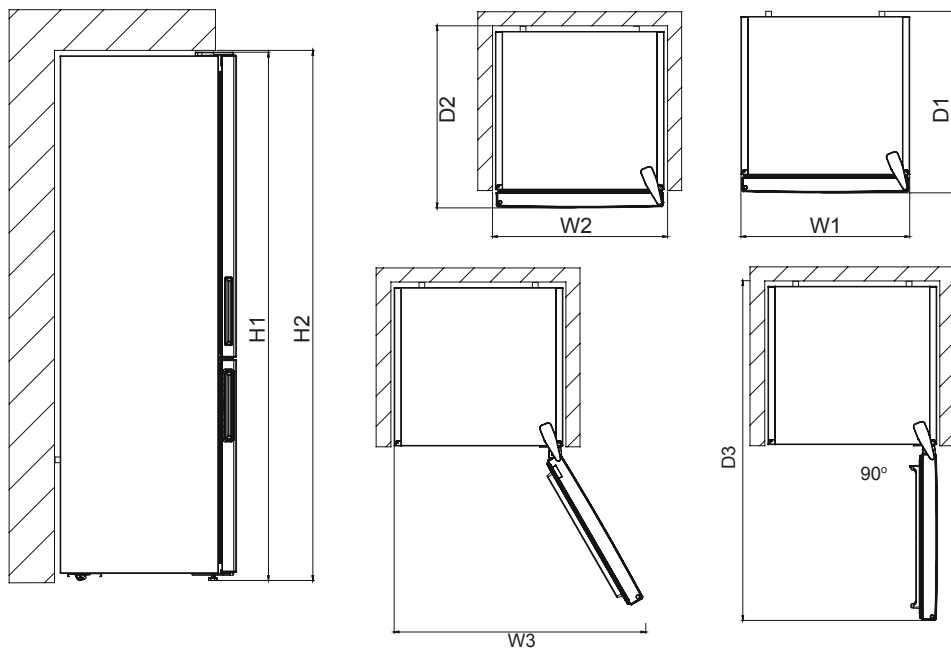


ADVARSEL!

Fare for elektrisk støt

- Angående lampen(e) inne i produktet, og reservelamper som selges separat: Disse lampene er beregnet for å tåle ekstreme fysiske forhold i husholdningsapparater, som temperatur, vibrasjon, fuktighet, eller er beregnet på å gi informasjon om apparatets status. De er ikke beregnet på bruk i andre applikasjoner og er ikke egnet til opplysning av rom.

# Mål



Produktdimensjoner <sup>1</sup>		
H1	mm	1860
W1	mm	595
D1	mm	650

<sup>1</sup> høyden, vidden og dybden til apparatet uten håndtak

Nødvendig plass under bruk <sup>2</sup>		
H2	mm	1900
W2	mm	600
D2	mm	718

<sup>2</sup> høyden, vidden og dybden til apparatet inkludert håndtaket, pluss nødvendig plass for fri sirkulering av luftkjøling

Nødvendig plass under bruk <sup>3</sup>		
W3	mm	917
D3	mm	1158

<sup>3</sup> høyden, vidden og dybden til apparatet inkludert håndtaket, pluss nødvendig plass for fri sirkulering av luftkjøling, pluss nødvendig plass for å kunne åpne døren til den minste vinkelen som lar deg fjerne alt innvendig utstyr

### Informasjon om siste generasjons kjøleteknologi

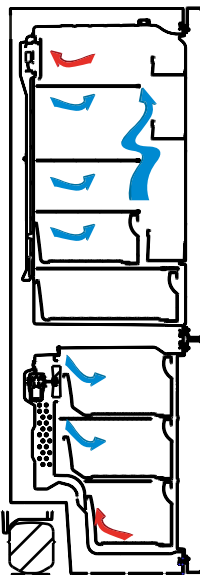
Kombiskap med siste generasjons kjøleteknologi fungerer annerledes enn statiske kombiskap. I normale kombiskap, blir den fuktige luften som slipper inn i fryseren og vanndampen fra maten til rim inne i fryserseksjonen. For å smelte – eller retttere sagt tine – dette rimet, må kjøleskapet kobles fra strømmettet. For å holde matvarene kalde under tineperioden, må brukeren oppbevare maten på et annet sted, og brukeren må fjerne all gjenværende is og akkumulert rim.

Situasjonen er en helt annen for fryserseksjonen utstyrt med siste generasjons kjøleteknologi. Ved hjelp av viften, blir kald og tørr luft blåst gjennom hele fryserseksjonen. Dette resulterer i at den kalde luften blåses lett gjennom fryserseksjonen – også i rommet mellom hyllene – og sørger for at matvarene fryses jevnt og skikkelig. Og det oppstår ikke rim.

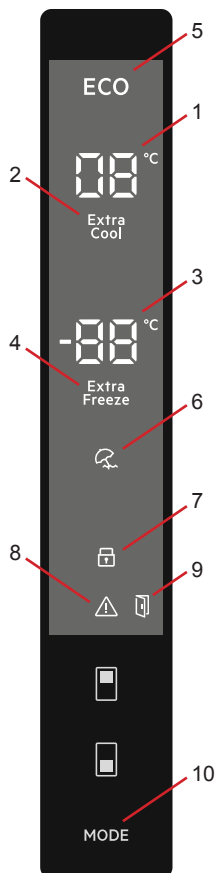
Konfigurasjonen i kjøleseksjonen er nesten identisk til fryserseksjonen. Luft som slippes ut fra viften, plassert på toppen av kjøleseksjonen, avkjøles mens den passerer gjennom spalten bak luftkanalen. Samtidig blåses luften ut gjennom hullene i luftkanalen, slik at avkjølingsprosessen fullføres i kjøleseksjonen. Hullene på luftkanalen er konstruert for å oppnå en jevn fordeling av luft gjennom hele seksjonen.

Siden ingen luft passerer mellom fryser- og kjøleseksjonene, vil ikke lukter blande seg.

Dette gjør at kjøleskap med siste generasjons kjøleteknologi er enkelt å bruke, og gir deg mye plass og et bra utseende.



## Display og kontrollpanel



### Bruke kontrollpanelet

1. Det er angi verdi på kjøler-skjerm.
2. Det er super cooling-indikator.
3. Det er angi verdi på fryser-skjerm.
4. Det er super freeze-indikator.
5. Det er symbolet for økonomimodus.
6. Det er symbolet for feriemodus.
7. Det er barnesikringsymbol.
8. Det er symbolet for alarm.
9. Det er symbolet for funksjonen for åpen dør-alarm.
10. Modi (økonomi, ferie ...) aktiveres hvis ønskelig.

### Belysning (hvis tilgjengelig)

Når produktet kobles til for første gang, kan de indre lysene bli slått på 1 minutt senere grunnet åpningstester.

## Bruke kombiskapet

### Superfrysmodus (Super freeze)

#### Formål

- å fryse en stor mengde mat som ikke får plass på hurtigfrysehyllen,
- å fryse tilberedt mat,
- å fryse fersk mat raskt for å beholde ferskheten.

#### Hvordan ville det brukes?

Trykk innstillingsknappen til Super freeze-symbolet vises på skjermen. Varselsignalet vil høres med bipping. Modus blir angitt.

#### I denne modusen:

- Temperaturen i kjøleren og super cool-modus kan justeres. I dette tilfellet fortsetter super freeze-modus.
- Økonomi- og Feriemodus kan ikke velges.
- Super freeze-modus kan avbrytes ved å følge den samme operasjonen som for å velge.



## Merk:

- Referer til klassifiseringsmerkelappen å se den maksimale frysekapasiteten (Kg) for en 24 timers periode.
- Ved maksimal kapasitet, er det best å sette apparatet til Super Freeze-modus med 3 timer før lagring av matvarer.
- En hørbar alarm vil høres når den optimale frysetemperaturen nås.



Super Freeze-modus vil automatisk kanselleres etter 24 timer, eller når sensortemperaturen av fryseren faller under -32 °C.

## Superkjølemodus (Super Cool)

### Formål

- å kjøle ned og lagre en stor mengde mat i kjølerommet,
- å kjøle ned drikke raskt.

### Hvordan ville det brukes?

Trykk innstillingsknappen på kjøleren til Super cool-symbolet vises på skjermen. Varselsignalet vil høres med bipping. Modus vil bli satt.

### I denne modusen:

- Temperaturen i fryseren og super freeze-modus kan justeres. I dette tilfellet, fortsetter super cool-modus.
- Økonomi- og Feriemodus kan ikke velges.
- Super cool-modus kan avbrytes ved å følge den samme operasjonen som for å velge.



## Økonomimodus (ECO)

### Formål

Energisparing I perioder med mindre bruk (åpning av dør) eller fravær fra hjemmet, for eksempel i ferier, kan økonomiprogrammet gi en optimal temperatur samtidig som du sparer strøm.

### Hvordan ville det brukes?

- Trykk «modusknapp» til økosymbolet vises.
- Hvis ingen knapp trykkes på 1 sekund. Modus blir angitt. Økosymbolet blinker 3 ganger. Når modus er innstilt, vil varselsignalet avgi bippelyder.
- Temperatursegmenter i fryser og kjøleskap viser «E».
- Økonomysymbolet og E lyser til modus er ferdig.

### I denne modusen:

- Fryseren kan justeres. Når økonomimodus blir avbrutt, vil de valgte innstillingsverdiene fortsette.
- Kjøleren kan justeres. Når økonomimodus blir avbrutt, vil de valgte innstillingsverdiene fortsette.
- Super Cool- og Super Freeze-modus kan velges. Økonomimodus kanselleres automatisk og den valgte modusen aktiveres.
- Feriemodus kan velges etter kansellering av økonomimodus. Den valgte modusen aktiveres deretter.
- Hvis du vil avbryte, trykker du bare på modusknappen.



## Feriemodus

### Hvordan ville det brukes?

- Trykk «modusknapp» til feriesymbolet vises
- Hvis ingen knapp trykkes på 1 sekund. Modus vil bli angitt. Feriesymbolet blinker 3 ganger. Når modus er innstilt, vil varselsignalet avgi bippelyder.
- Temperatursegmentet viser «--».
- Feriesymbolet og «--» lyser til modus er ferdig.

### I denne modusen:

- Fryseren kan justeres. Når feriemodus avbrytes, vil de valgte innstillingsverdiene fortsette.
- Kjøleren kan justeres. Når feriemodus avbrytes, vil de valgte innstillingsverdiene fortsette.
- Super Cool- og Super Freeze-modus kan velges. Feriemodus kanselleres automatisk og den valgte modusen aktiveres.
- Økonomimodus kan velges etter kansellering av feriemodus. Den valgte modusen aktiveres deretter.
- Hvis du vil avbryte, trykker du bare på modusknappen.

## Modus for avkjøling av drikkevarer (Drink Cool)

### Når vil det brukes?

Denne modusen brukes til å kjøle drikke innen en justerbar tid.

### Hvordan ville det brukes?

- Trykk på fryserknappen i 3 sekunder.
- Spesialanimasjon starter på fryserens skjerm for angivelse av verdi og 05 blinker på kjølerens skjerm for angivelse av verdi.
- Trykk kjølerens knapp for å justere tiden (05 - 10 - 15 - 20 - 25 - 30 minutter).
- Når du velger tiden, vil tallene blinke 3 ganger på skjermen og bippe.
- Tiden blir angitt hvis ingen knapp trykkes innen 2 sekunder.
- Nedtellingen starter fra den justerte tiden, minutt for minutt.
- Gjenværende tid blinker på skjermen.
- Trykk fryserens innstillingsknapp i 3 sekunder for å avbryte denne modusen.

## Barnesikringsfunksjon

### Når vil det brukes?

For å forhindre at barn leker med knappene og endrer innstillingene du har angitt, er barnesikring tilgjengelig i apparatet.

### Aktivering av barnesikring

Trykk fryser- og kjøler-knappene samtidig i 5 sekunder.

### Deaktivering av barnesikring

Trykk fryser- og kjøler-knappene samtidig i 5 sekunder.

**Merk:** Barnesikring vil også bli deaktivert hvis elektrisitet blir avbrutt eller kjøleskapet blir koblet fra.



## Skjermsparemodus

### Formål

Denne modusen sparer energi ved å slå av alle lysene på kontrollpanelet når panelet ikke er aktivt.

### Hvordan brukes denne?

- Skjermsparemodus aktiveres automatisk etter 30 sekunder.
- Dersom du trykker på en hvilken som helst knapp mens lysene på kontrollpanelet er slukket, vises de aktuelle enhetsinnstillingene på skjermen igjen, slik at du skal kunne foreta de endringene du ønsker.
- Hvis du ikke ønsker å avbryte skjermsparemodus eller trykker på en hvilken som helst knapp i 30 sekunder, vil kontrollpanelet slukkes igjen.

### Deaktivere skjermsparemodus

- Når du vil kansellere skjermsparemodus, trykker du på en hvilken som helst knapp for å aktivere knappene og deretter holder du modusknappen inne igjen i tre sekunder.
- Hvis du trykker på og holder modusknappen inne i tre sekunder, aktiveres skjermsparemodus igjen.

### Funksjonen for åpen dør-alarm

Hvis fryserdøren står åpen i mer enn 2 minutter, piper kjøleskapet to ganger og ikonet for åpen dør lyser.



## Temperaturinnstillinger

### Temperaturinnstillinger for fryser

- Den opprinnelige temperaturverdien for temperaturinnstillinger er -18 °C.
- Trykk fryserens innstillingsknapp en gang.
- Når du først trykker på denne knappen, vil den siste innstilte verdien blinke på skjermen.
- Hver gang du trykker på denne knappen, vil temperaturen redusere henholdsvis.
- Når du trykker fryserens innstillingsknapp til Superfreeze-symbolet vises, og hvis ingen knapp trykkes innen 1 sekunder, vil Super Freeze blinke.
- Hvis du fortsetter å trykke, vil den starte fra -16 °C.
- Temperaturverdien valgt før Feriemodus, Super Freeze-modus, Super Cool-modus eller Økonomimodus som er aktivert vil forbli den samme inntil modusen er over eller kansellert. Apparatet fortsetter å operere ved denne temperaturverdien.





## Temperaturinnstillinger for kjøler

- Den opprinnelige temperaturverdien for temperaturinnstillinger er +4 °C.
- Trykk kjølerknappen en gang.
- Når du først trykker på denne knappen, vises den siste verdien som er satt på innstillingsindikatoren på kjøleren.
- Hver gang du trykker på denne knappen, vil temperaturen redusere henholdsvis.
- Når du trykker på Cooler Set-knappen til Supercool-symbolet vises og hvis ingen knapp trykkes innen 1 sekunder, vil Supercool blinke.
- Hvis du fortsetter å trykke, vil den starte fra +8 °C.
- Temperaturverdien valgt før Feriemodus, Super Freeze-modus, Super Cool-modus eller Økonomimodus som er aktivert vil forbli den samme inntil modusen er over eller kansellert. Apparatet fortsetter å operere ved denne temperaturverdien.



## Anbefalte innstillinger for temperaturen i fryserdelen og temperaturen i kjøleskapsdelen

Fryserdel	Kjøleskapsdel	Merknader
-18 °C	4 °C	For vanlig bruk og høyest ytelse.
-20, -22 eller -24 °C	4 °C	Anbefalt når omgivelsestemperaturen overskrider 30 °C.
Superfrysemodus	4 °C	Må brukes når du skal fryse fersk mat raskt.
-18, -20, -22 eller -24 °C	2 °C	Disse temperaturinnstillingene må brukes når omgivelsestemperaturen er høy, eller hvis du tror at kjøleskapsdelen ikke er kald nok fordi døren åpnes ofte.

## Advarsler om justeringer av temperatur

- Det anbefales ikke å bruke kjøleskapet når temperaturen er under 10°C.
- Temperaturjusteringer bør gjøres i henhold til frekvensen av døråpninger, mengde mat holdt inne i kjøleskapet og omgivelsestemperatur av kjøleskapet.
- Kjøleskapet skal betjenes opp til 24 timer i henhold til omgivelsestemperatur, uten avbrudd, etter å ha blitt koblet til. Dette sikrer at den er helt avkjølt. I denne perioden, må dørene til kjøleskapet ikke åpnes og mat må ikke plasseres inne.
- En 5 minutters forsinkelsesfunksjon brukes for å forhindre skader på kompressoren når du tar ut kontakten og setter den inn igjen etter en gi sammenbrudd har oppstått. Kjøleskapet vil begynne å fungere normalt etter 5 minutter.
- Kombiskapet er laget for å operere i temperaturintervaller som er angitt i kravene, i henhold til klimaklassen som er angitt i informasjonsetiketten. Vi anbefaler ikke å betjene kjøleskapet utenfor de angitte temperaturverdigrensene i form av kjøling.
- Dette apparatet er beregnet for bruk i en omgivelsestemperatur i 10°C - 43°C.

Klimaklasse	Betydning	Omgivelsestemperatur
T	Tropisk	Dette kjøleskapet er beregnet på bruk i omgivelsestemperaturer fra 16 °C til 43 °C.
ST	Subtropisk	Dette kjøleskapet er beregnet på bruk i omgivelsestemperaturer fra 16 °C til 38 °C.

Klimaklasse	Betydning	Omgivelsestemperatur
N	Temperert	Dette kjøleskapet er beregnet på bruk i omgivelsestemperaturer fra 16 °C til 32 °C.
SN	Utvidet temperert	Dette kjøleskapet er beregnet på bruk i omgivelsestemperaturer fra 10 °C til 32 °C.

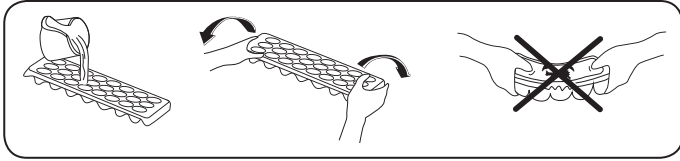
### Viktige installeringsinstruksjoner

Dette apparatet er konstruert for bruk i vanskelige klimaforhold (opptil 43 °C) og drives med «Freezer Shield»-teknologi som sikrer at frossen mat i fryseren ikke tiner selv om omgivelsestemperaturen faller så lavt som -15 °C. Dette betyr at apparatet kan installeres i et uoppvarmet rom uten at du trenger å bekymre deg for at den frosne maten i fryseren skal bli dårlig. Når omgivelsestemperaturen igjen når et normalt nivå, kan du fortsette å bruke apparatet som vanlig.

## Tilbehør

### Isterningsbrett

- Fyll isterningsbrettet med vann og sett det i fryseboksen.
- Når vannet har frosset helt, kan du vri på isterningsbrettet som vist nedenfor for å løse isbitene.




### Fryseboks

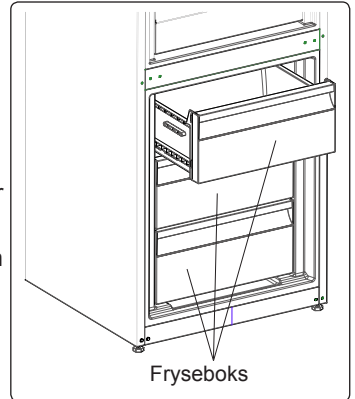
Fryseboksen er for matvarer som må nås lettere.

#### Ta ut fryseboksen;

- Trekk boksen ut så langt som mulig
- Trekk forsiden av boksen opp og ut.

 Følg samme operasjon i motsatt rekkefølge for tilbakestilling av skyverommet.

 **Merk:** Håndtaket må alltid holdes mens den flyttes inn eller ut.

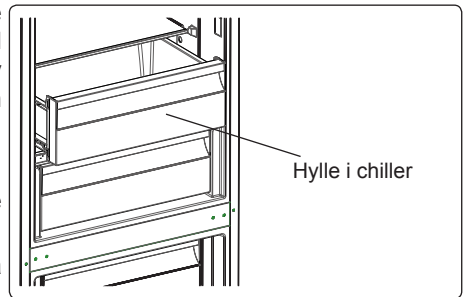


### Ekstra kjølerom (I noen modeller)

Ideell for å bevare smaken og strukturen til ferske kutt og ost. Uttrekksskuffen sikrer et miljø med lavere temperatur sammenlignet med resten av kjøleskapet, takket være den aktive sirkulasjonen av kald luft.

#### Fjerne hyllen i kjøleren;

- Trekk hyllen i chiller mot deg ved å skyve den langs skinnene.
- Trekk hyllen i chiller opp fra skinnen for å fjerne den.

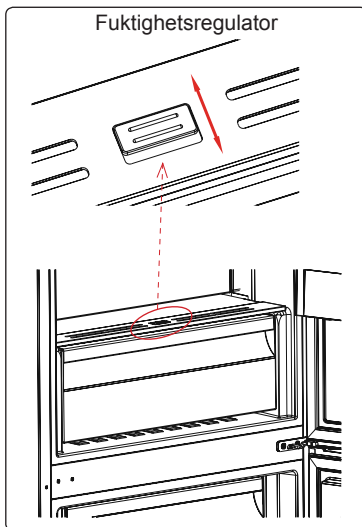


### Fuktighetsregulator (I noen modeller)

Når fuktighetsregulatoren er i lukket posisjon, gjør den at frisk frukt og grønnsaker kan oppbevares lenger.

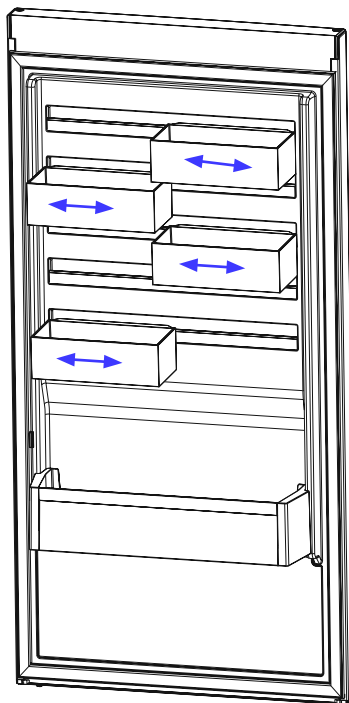
I tilfelle grønnsaksskuffen er helt full, bør friskhetsskiven foran grønnsaksskuffen åpnes. Med denne blir luften i grønnsaksskuffen og fuktighetsgraden kontrollert og levetiden forlenges.

Hvis du oppdager kondens på glasshyllen, bør fuktighetsregulatoren settes i åpen stilling.



### CustomFlex (I noen modeller)


CustomFlex® gir deg friheten til å tilpasse plassen i kjøleskapet. Inne i døra er det en oppbevaringsbeholder og mobile containere, slik at du kan skreddersy plassen etter dine behov. Beholderne er til og med avtakbare, slik at du kan fjerne dem fra kjøleskapet for enkel tilgang.




***Bilder og tekstbeskrivelser på tilbehørseksjonen kan variere ut fra apparatmodellen.***

## DEL - 3. ORGANISERE MATVARENE I APPARATET

### Kjøleskapskammer

- Ferskvarerone er det som er merket (på typeskiltet) med .
- For å redusere fuktighet og konsekvent oppbygning av rim må du aldri plassere væske i de åpne beholderne i kjøleskapet. Frost har en tendens til å konsentreres i de kaldeste feltene i fordampere, og med tiden vil det kreve hyppigere avriming.
- Aldri sett varm mat inn i kjøleskapet. Varm mat bør avkjøles i romtemperatur, og bør plasseres slik at den sikrer tilstrekkelig luftsirkulasjon i kjøleskapet.
- Ingenting bør berøre bakveggen, da det vil dannes rim, og pakkene kan klistre seg til bakveggen. Ikke åpne kjøleskapsdøren for ofte.
- Plasser kjøttet og rensert fisk (pakket inn i papir eller plast) som du vil bruke innen 1–2 dager i den nedre delen av kjøleskapet (som er over grønnsakene), da dette er den kaldeste delen og vil sikre de beste lagringsforholdene.
- Du kan legge frukten og grønnsakene i grønnsakskammeret uten innpakning.


 **MERK:** Mest effektiv energibruk er sikret i konfigurasjonen med skuffene i den nedre delen av apparatet, og hyllene jevnt fordelt, plasseringen av dørskuffer påvirker ikke energiforbruket.

Noen anbefalinger har blitt spesifisert under for plassering og lagring av matvarer i kjølelammeret.

Mat	Maksimal lagringstid	Hvor plassere i kjøleavdelingen
Frukt og grønnsaker	1 uke	Grønnsaksbeholder
Kjøtt og fisk	2-3 Dager	Pakket inn i plastfolie eller poser eller i en kjøttbeholder (på glasshyllen)
Fersk ost	3-4 Dager	I spesiell dørhylle
Smør og margarin	1 uke	I spesiell dørhylle
Produkter på flaske melk og yogurt	Til utløpsdatoen som er anbefalt av produsenten	I spesiell dørhylle
Egg	1 måned	I egghyllen
Tilberedt mat	2 Dager	Alle hyller

**NB!** Poteter, løk og hvitløk bør ikke lagres i kjøleskapet.

### Frysekammer

- Fryserommet er det som er merket med .
- Vennligst bruk frysekammeret i kjøleskapet ditt til å lagre frossen mat over lengre tid og for å produsere is.
- For å få maksimal kapasitet for frysekammeret, vennligst kun bruk glasshyller for den øverste og midterste seksjonen. For underseksjonen, vennligst bruk lavere kurv.
- Vennligst ikke plasser maten du skal fryse sammen med allerede frossen mat.

- Du bør fryse ned maten (kjøtt, kjøttdeig, fisk osv.) ved å dele dem inn i posisjonsstørrelser slik at de kan spises på en gang.
- Ikke frys ned igjen frosne mat som har rullet å tine. Det kan være farlig fordi det kan føre til problemer som matforgiftning.
- Ikke plasser varme måltider i fryseren før de har blitt avkjølt. Det kan føre til at den andre maten som allerede er frossen råtner.
- Når du kjøper frossen mat, sørg for at de ble fryst under riktige forhold og at pakningen ikke er revet opp.
- Når du lagrer frossen mat må du følge anvisningene for oppbavaring som angitt på pakken. Dersom det ikke er noen forklaring, bør maten spises raskest mulig.
- Dersom det hadde vært fuktighet i pakken med frossenmat og den har en dårlig lukt, er det mulig at maten har blitt fraktet under ustabile forhold tidligere og råtnet. Ikke kjøp denne typen mat!
- Lagringsvarigheten til frossen mat endres avhengig av temperaturforholdene, hvor ofte dørene åpnes og lukkes, mattypen og hvor lang tid det gikk fra innkjøp til frysing. Følg alltid instruksjonene på pakken, og overstig aldri den indikerte lagringsvarigheten.
- Ikke åpne døren under langvarige strømbrudd. Tidene reduseres ved høyere temperaturer. Etter lange strømbrudd skal maten ikke innfrys på nytt. Spis den så fort som mulig.


**OBS!** Hvis du ønsker å åpne døren til fryseren like etter at du har lukket den, er den ikke enkel å åpne. Det er ganske normalt. Etter utjevning åpnes døren enkelt.

#### **NB!**

- *Optint frossenmat må tilberedes på samme måte som fersk mat. Om den ikke tilberedes etter å ha tint, må den ALDRI fryses på nytt.*
- Smaken av enkelte krydder man kan finne i tilberedte retter (anis, basilikum, brønnkarse, eddik, blandet krydder, ingefær, hvitløk, sennep, timian, merian, sort pepper osv.) endres og får en sterk smak når de lagres for lenge. Derfor bør det brukes lite krydder, eller krydderet bør tilsettes etter at maten er tint.
- Lagringsperioden for mat avhenger av oljen som brukes. Egnede oljer er margarin, kalvefett, olivenolje og smør, og uegnede oljer er peanøttolje og grisefett.
- Mat i flytende form bør fryses i plastkopper, og annen mat bør fryses i plastfolie eller poser.

Noen anbefalinger har blitt spesifisert under for plassering og lagring av matvarer i frysekammeret.

Kjøtt og fisk	Forberedelse	Maksimal lagringstid (måned)
<b>Biff</b>	Pakket inn i folie	6-8
<b>Lammekjøtt</b>	Pakket inn i folie	6-8
<b>Kalvesteik</b>	Pakket inn i folie	6-8
<b>Kalveterninger</b>	I små biter	6-8
<b>Lammeterninger</b>	I biter	4-8
<b>Kjøttdeig</b>	I pakker uten tilsatt krydder	1-3
<b>Innvoller (biter)</b>	I biter	1-3

Kjøtt og fisk	Forberedelse	Maksimal lagringstid (måned)
Bolognes-saus/salami	Bør pakkes inn selv om den har membran	
Kylling og kalkun	Pakket inn i folie	4-6
Gås og and	Pakket inn i folie	4-6
Hjortedyr, kanin, villsvin	I 2,5 kilos porsjoner og som fileter	6-8
Ferskvannsfisk (laks, karpe, crane, malle)	Etter å ha rensset fisken for innvoller og skjell, vask og tørk den; og om nødvendig kutt finner og hode.	2
Mager fisk; abbor, piggvar og flyndre		4
Fet fisk (Tunfisk, makrell, bluefish, ansjos)		2-4
Skalldyr	Renset og i poser	4-6
Kaviar	I pakken sin, aluminium- eller plastbeholder	2-3
Snegle	I saltvann, aluminium- eller plastbeholder	3
 <b>NB!</b> Frossent kjøtt bør tilberedes som ferskt kjøtt etter det har tint. Om kjøttet ikke tilberedes etter å ha blitt tint, må det <b>ALDRI</b> fryses på nytt.		

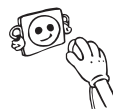
Frukt og grønnsaker	Forberedelse	Maksimal lagringstid (måned)
Snittbønner og bønner	Vask og kutt til små biter, og kok i vann	10-13
Bønner	Rens og vask og kok i vann	12
Kål	Renset og kokt i vann	6-8
Gulrot	Rens og kutt i biter og kok i vann	12
Paprika	Kutt stilken, del opp i to biter og fjern kjernen og kok i vann	8-10
Spinat	Vasket og kokt i vann	6-9
Blomkål	Ta blomstene fra hverandre, kutt hjertet i deler og la det ligge litt i vann som er tilsatt litt sitronjuice	10-12
Aubergine	Skjær opp i 2 cm lange biter etter vasking	10-12
Mais	Rens og pakk med stilken eller som sukkermais.	12
Eple og pære	Skrell og del opp	8-10
Aprikos og fersken	Kutt opp i to biter og fjern steinen	4-6
Jordbær og bjørnebær	Vask og hull ut	8-12
Tilberedt frukt	Legg til 10% sukker i beholderen	12
Plumme, kirsebær, rips	Vask og hull ut stilkene	8-12

Meieriprodukter	Forberedelse	Maksimal lagringstid (måneder)	Lagringsforhold
Pakke (homogenisert) melk	I sin egen pakke	2-3	Ren melk - I sin egen pakke
Ost - inkludert hvitost	I skiver	6-8	Originalpakning kan brukes ved kort lagringsperiode. Den bør pakkes inn i folie for lengre perioder.
Smør, margarin	I sin egen pakke	6	

	Maksimal lagringstid (måneder)	Opptiningstid i romtemperatur (timer)	Opptiningstid i ovn (minutter)
Brød	4-6	2-3	4-5 (220-225 °C)
Kjeks	3-6	1 - 1,5	5-8 (190-200 °C)
Bakverk	1-3	2-3	5-10 (200-225 °C)
Pai	1 - 1,5	3-4	5-8 (190-200 °C)
Filodeig	2-3	1 - 1,5	5-8 (190-200 °C)
Pizza	2-3	2-4	15-20 (200 °C)


## DEL - 4. VASKING OG VEDLIKEHOLD

 **Sørg for å koble ut kjøleskapet før du vasker det.**



 Ikke vask kjøleskapet ditt ved å helle vann.



 Aldri bruk brennbart, eksplosivt eller etsende materiale som tynning, gass, syre til vasking.



- Du kan vaske inner- og ytersidene med en myk klut eller en svamp med varmt såpevann.

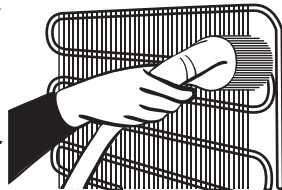


- Fjern delene individuelt og vask med såpevann. Ikke vask i oppvaskmaskin.





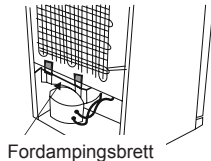
- Du bør vaske kondenseren med kost minst en gang i året for å spare energi og øke produktiviteten.



**Sørg for at kjøleskapet ditt er frakoblet når du vasker det.**

## Avising

- Kjøleskapet ditt kjører full automatisk avising. Vannet som oppstår som et resultat av avisingen renner gjennom en vannoppsamlende tut, flyter inn i en dampbeholder bak kjøleskapet ditt og fordampes der.
- Sørg for at du kobler fra kjøleskapet ditt før du vasker dampbeholderen.
- Fjern dampbeholderen fra posisjonen sin ved å skru av skruene som indikert. Vask den med såpevann etter spesifiserte tidsintervall. Slik forhindres det at det dannes lukt.



## Å skifte ut LED-lys

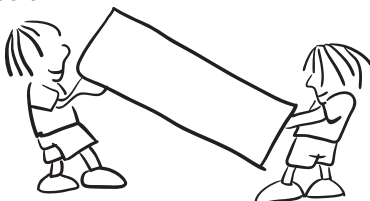


Dersom kjøleskapet ditt har LED-belysning, vennligst kontakt kundeservice, ettersom lyset kun bør skiftes ut av berettigede fagfolk.

**Merk:** Antall og plassering av LED-strips kan variere avhengig av modell.

## DEL - 5. FRAKT OG REPOSISJONERING

- Originalpakning og skum kan beholdes for re-transport (valgfritt).
- Du bør feste fast kjøleskapet med tykk pakning, bånd eller sterke seler og følge instruksjonene for transport på pakken for re-transport.
- Fjern bevegelige deler (hyller, tilbehør, grønnsaksskuffer osv.) eller beskytt dem i kjøleskapet mot støt og bruk bånd ved reposisjonering og transport.



**Bær kjøleskapet ditt i stående posisjon.**

## Reposisjonere døren

- Det er ikke mulig å endre retningen kjøleskapsdøren åpner seg, dersom dørhåndtakene på kjøleskapet ditt er installert fra fremsiden av døren.
- Det er mulig å endre dørens åpningsretning på modeller uten håndtak og modeller med håndtak montert på sidene.
- Dersom retningen som døren åpner seg kan endres på kjøleskapet ditt, bør du kontakte nærmeste autoriserte service for å endre åpningsretningen.

## DEL - 6. FØR DU RINGER ETTER SERVICE

### Sjekk advarsler

Kjøleskapet advarer deg dersom temperatuere for kjøler og fryser ikke er innenfor riktige verdier eller når et problem oppstår i apparatet. Advarselskoder vises i fryser- og kjøleindikatorene.

FEILTYPE	BETYDNING	ÅRSAK	TILTAK
E01	Sensorvarsel		Ring etter service for å få hjelp så fort som mulig.
E02			
E03			
E06			
E07			
E08	Varsel om lav spenning	Strømtilførselen til enheten har sunket til under 170 V.	<ul style="list-style-type: none"><li>- Dette er ikke en svikt ved enheten. Feilen bidrar til å forhindre skade på kompressoren.</li><li>- Voltstyrken må økes tilbake til påkrevd nivå</li></ul> Hvis varselet vedvarer må du kontakte en autorisert tekniker.
E09	Det er ikke kaldt nok i fryseravdelingen	Sannsynlig etter lenger tids strømbrytning.	<ol style="list-style-type: none"><li>1. Still frysertemperaturen lavere eller still til Superfrys. Så snart den påkrevde temperaturen er blitt nådd burde dette fjerne feilkoden. Hold dørene lukket så det går raskere å nå den rette temperaturen.</li><li>2. Fjern de produktene som har tinet helt eller delvis i løpet av perioden med feil. De kan brukes innen en kort tidsperiode.</li><li>3. Ikke legg noen nye produkter i fryseren før den rette temperaturen er blitt nådd og feilen ikke lenger vises.</li></ol> Hvis varselet vedvarer må du kontakte en autorisert tekniker.
E10	Kjøleskapsrommet er ikke kaldt nok	<b>Sannsynlig etter:</b> <ul style="list-style-type: none"><li>- lenger tids strømbrytning.</li><li>- det har stått varm mat i kjøleskapet.</li></ul>	<ol style="list-style-type: none"><li>1. Still kjøleskapstemperaturen lavere eller still til Superkjøl. Så snart den påkrevde temperaturen er blitt nådd burde dette fjerne feilkoden. Hold dørene lukket så det går raskere å nå den rette temperaturen.</li><li>2. Hold området foran luftekanalhullene fritt, og unngå å sette mat nær sensoren.</li></ol> Hvis varselet vedvarer må du kontakte en autorisert tekniker.

FEILTYPE	BETYDNING	ÅRSAK	TILTAK
E11	Kjøleskapsrommet er for kaldt	Forskjellig	1. Sjekk om Superkjølmodus er aktivert 2. Reduser kjøleskapstemperaturen 3. Sjekk at området foran ventilene er fritt og ikke tildekket Hvis varselet vedvarer må du kontakte en autorisert tekniker.

Dersom kjøleskapet ikke virker som det skal, kan det skyldes et mindre problem. For å spare tid og penger, bør du derfor sjekke følgende før du tilkaller en elektriker:

**Dersom kjøleskapet ikke fungerer:**

- Er det feil med strømmen?
- Er støpselet koblet riktig til stikkkontakten?
- Er sikringen til stikkkontakten der pluggen er koblet, eller hovedsikringen, ødelagt?
- Er det noe galt med stikkkontakten? For å sjekke dette plugger du kjøleskapet til en stikkontakt som du vet virker.

**Dersom kjøleskapet ikke kjøler tilstrekkelig:**

- Er temperaturjusteringen riktig?
- Åpnes kjøleskapsdøren ofte og blir stående åpen lenge?
- Er kjøleskapsdøren ordentlig lukket?
- Har du satt en rett eller matvare i kjøleskapet slik at den kommer i kontakt med bakveggen i kjøleskapet og dermed hindrer for luftsirkulasjonen?
- Er kjøleskapet overfylt?
- Er det nok avstand mellom kjøleskapet og bak- og sideveggene?
- Er omgivelsestemperaturen innenfor verdiene som er spesifisert i bruksanvisningen?

**Dersom maten i kjøleskapskammeret er overkjølt:**

- Er temperaturjusteringen riktig?
- Er det mye mat som nylig er satt i frysekammeret? Om det er tilfellet, kan kjøleskapet overkjøle matvarene inne i kjøleskapskammeret da det vil operere lenger for å kjøle denne maten.

**Dersom kjøleskapet lager for mye lyd:**

For å vedlikeholde kjølingsnivået aktiveres kompressoren fra tid til annen. Lyder fra kjøleskapet som kommer av denne funksjonen er normalt. Når det ønskede kjølingsnivået er nådd, vil lydene avta automatisk. Dersom lydene fortsetter:

- Er apparatet stabilt? Er beina justert?
- Er det noe bak kjøleskapet?
- Vibrerer hyllene eller rettene på hyllene? Plasser hyllene og/eller rettene på nytt om dette er tilfellet.
- Vibrerer gjenstandene i kjøleskapet?

## Normale lyder:

### Knuselyd (isknusing):

- Under automatisk avriming.
- Når apparatet avkjøles eller varmes (grunnet utviding av apparatets materiale).

**Kort knusing:** Høres når termostaten slår kompressoren av/på.

**Kompressorlyd (normal motorlyd):** Denne lyden betyr at kompressoren opererer normalt. Kompressoren kan lage mer støy en liten stund når den er aktivert.

**Boblelyder og plask:** Denne støyen kommer fra flyten av kjølemiddelet i rørene i systemet.

**Lyd av rennende vann:** Normal lyd av rennende vann som flyter i fordampningsbeholderen under avriming. Denne lyden kan høres under avriming.

**Blåselyd (normal viftelyd):** Denne lyden kan høres i frostfrie kjøleskap under normal drift på grunn av luftsirkulasjonen.

### Dersom fuktighet bygges opp inne i kjøleskapet:

- Er alle matvarer pakket riktig? Er beholderne tørre før de settes i kjøleskapet?
- Åpnes kjøleskapsdørene ofte? Fuktighet fra rommet kommer inn i kjøleskapet når dørene åpnes. Fuktigheten vil bygge seg opp raskere når du åpner dørene oftere, spesielt dersom luftfuktigheten i rommet er høy.

### Dersom dørene ikke åpnes og lukkes skikkelig:

- Hindrer matvarene at du får lukket døren?
- Er dørdelene, hyllene og skuffene plassert riktig?
- Er pakningen i døren ødelagt eller revnet?
- Står kjøleskapet i vater?

### Dersom kantene til kjølekabinettet der døren treffer er varme:

Spesielt om sommeren (varmt vær), kan overflatene bli varmere under kompressordriften, dette er normalt.

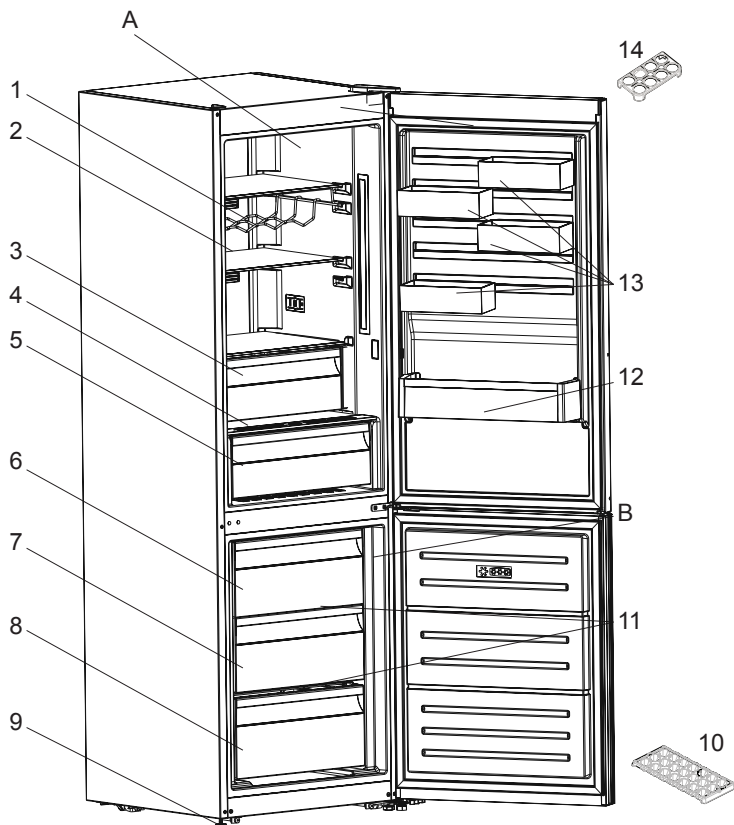
### VIKTIGE MERKNADER:

- Funksjonen for kompressorbeskyttelse vil aktiveres etter plutselige strømbrydd eller etter avkobling av apparatet, fordi gassen i kjølesystemet ikke er stabilisert ennå. Kjøleskapet vil starte etter 5 minutter, det er ingenting å bry seg om.
- Om du ikke bruker kjøleskapet på lang tid (f.eks. på sommerferie), plugg det ut. Vask kjøleskapet i følge Del 4 og la døren stå åpen for å hindre fuktighet og lukt.
- Dersom problemet fortsetter etter at du har fulgt alle instruksjonene ovenfor, vennligst ta kontakt med nærmeste autoriserte serviceyter.
- Apparatet du har kjøpt er designet for hjemmebruk, og kan kun brukes hjemme til de gitte formålene. Det er ikke passende for kommersiell eller felles bruk. Dersom forbrukeren bruker apparatet på en måte som ikke er i samsvar med disse funksjonene, legger vi vekt på at produsenten og forhandleren ikke skal være ansvarlige for eventuelle reparasjoner og feil innenfor garantiperioden.

## Tips for energisparing

1. Installer apparatet i et kjølig, godt ventilert rom, men ikke i direkte sollys, og ikke rett ved en varmekilde (radiator, stekeovnsplate). Om ikke må du bruke en isolasjonsplate.
2. La varm mat og drikke kjøles ned på utsiden av apparatet.
3. Når du skal tine frosne mat, plasser den i kjølekammeret. Den lave temperaturen til den frosne maten vil hjelpe til å kjøle ned kjølekammeret når den tiner. Så det er energibesparende. Dersom den frosne maten er tatt ut, fører det til sløsing av energi.
4. Mat og drikke må dekkes til når de settes inn. Ellers vil det bli økt fuktighet i apparatet. Derfor blir arbeidstiden lenger. Tildekking av mat og drikke hjelper også med å bevare smak og lukt.
5. Når mat og drikke plasseres i apparatet, hold døren åpen så kort tid som mulig.
6. Hold lokkene igjen på alle kammer ene i apparatet (grønnsakskammer, kjølekonserver).
7. Dørpakningen må være ren og smidig. I tilfelle slitasje, om pakningen er avtakbar, må du bytte pakningen. Om den ikke er avtakbar, må du skifte døren.
8. Øko-modus / standardinnstillingsfunksjon bevarer ferske og frosne matvarer mens du sparer energi.
9. Ferskmatrom (kjøleskap): Mest effektiv energibruk er sikret i konfigurasjonen med skuffene i den nedre delen av apparatet, og hyllene jevnt fordelt, plasseringen av dørkammer påvirker ikke energiforbruket.
10. Fryserom (fryser): Apparatets interne konfigurasjon er den som sikrer den mest effektive energibruken.
11. Ikke fjern de kalde akkumulatorene fra frysekurven (utstyrsbasert.)

## DEL - 7. DELENE TIL APPARATET OG KAMMERENE



Denne presentasjonen er kun for informasjon om delene til apparatet. Delene kan variere ut fra apparatmodellen.

A) Kjøleskapskammer

B) Frysekammer

1) Vinstativ \*

2) Hyller i kjøleskap

3) Ekstra kjølerom (Kjøler) \*

4) Deksel for frukt- og grønnsak

5) Grønnsaksskuff

6) Toppkurv i fryseren

7) Midtkurv i fryseren

8) Underkurv i fryseren

9) Justerbare føtter

10) Isbitbrett

11) Fryser glasshyller \*

12) Flaskehylle

13) CustomFlex

14) Eggglass

\* I noen modeller

## **DEL - 8. TEKNISK DATA**

Den tekniske informasjonen kan finnes på typeskiltet på innsiden av apparatet og på energimerket.

QR-koden på energimerket levert med apparatet viser til en nettløse til informasjon om apparatets ytelse i EU EPREL-databasen.

Lagre energimerket sammen med brukermanualen og alle andre dokumenter apparatet ble levert med.

Det er også mulig å finne den samme informasjonen i EPREL via lenken <https://eprel.ec.europa.eu> og modellnavnet og produktnummeret du finner på apparatets typeskilt.

Se lenken [www.theenergylabel.eu](http://www.theenergylabel.eu) for detaljert informasjon om energimerket.

## **DEL - 9. INFORMASJON TIL TESTINSTITUTT**

Installasjon og forberedelse av apparatet for EcoDesign-verifisering skal skje i samsvar med EN 62552. Krav til ventilasjon, dimensjoner med anbefalte minsteavstander og åpning bak skal være som beskrevet i denne bruksanvisningens DEL 1. Ta kontakt med produsenten for ytterligere informasjon, inkludert lasteplaner.

[www.aeg.com/shop](http://www.aeg.com/shop)



CE