

Candy Hoover group
Via Privata Eden Fumagalli, 1
20861 Brugherio(MB)
ITALY



HOOVER

MICROWAVE OVEN _____

user manual

EN

Mikrovlnná trouba _____

navod k obsluze

CZ

FOUR À MICRO-ONDES _____

Manuel d'utilisation

FR

Mikrowellengerät _____

Bedienungsanleitung

DE

FORNO A MICROONDE _____

Manuale d'uso

IT

FORNO MICROONDAS _____

Manual do Proprietário

PT

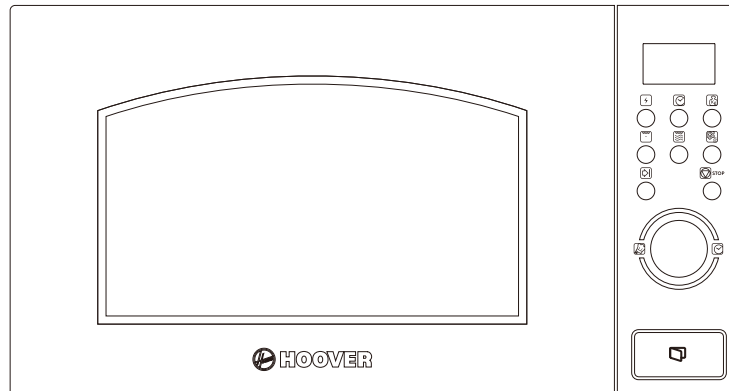
Mikrovalovna pečica _____

Mikrovlnná rúra Návod na obsluhu

SL



HOOVER



MODEL: HMG20GDFWA
38900101

HMG20GDFC
38900102

Owner's Manual

Please read these instructions carefully before installing and operating the oven.

Record in the space below the SERIAL NO. found on the nameplate on your oven and retain this information for future reference.

SERIAL NO.

PRECAUTIONS TO AVOID POSSIBLE EXPOSURE TO EXCESSIVE MICROWAVE ENERGY

1. Do not attempt to operate this oven with the door open since open door operation can result in harmful exposure to microwave energy. It is important not to defeat or tamper with the safety interlocks.
2. Do not place any object between the oven front face and the door or allow soil or cleaner residue to accumulate on sealing surfaces.
3. Do not operate the oven if it is damaged. It is particularly important that the oven door close properly and that there is no damage to the
 - a. Door (bent),
 - b. Hinges and latches (broken or loosened),
 - c. Door seals and sealing surfaces.
4. The oven should not be adjusted or repaired by anyone except properly qualified service personnel.

CONTENTS

PRECAUTIONS TO AVOID POSSIBLE EXPOSURE TO EXCESSIVE MICROWAVE ENERGY -----	1
SPECIFICATIONS -----	2
BEFORE YOU CALL FOR SERVICE -----	2
INSTALLATION -----	2
GROUNDING INSTRUCTIONS -----	3
RADIO INTERFERENCE -----	3
IMPORTANT SAFETY INSTRUCTIONS -----	4
MICROWAVE COOKING PRINCIPLES -----	6
UTENSILS GUIDE -----	6
PART NAMES -----	6
CONTROL PANEL -----	8
HOW TO SET THE OVEN CONTROLS -----	9
Child Lock -----	9
Setting clock time -----	9
Microwave Cooking -----	9
Quick Start -----	9
Grill Cooking -----	10
Combination -----	10
Weight Defrost -----	10
Preset Function -----	10
Auto Cooking -----	10
CLEANING AND CARE -----	12

SPECIFICATIONS

Power Consumption:	230V-240V~50Hz, 1200W(Microwave)
	1000W(Grill)
Rated Microwave Power Output:	700W
Operation Frequency:	2450MHz
Outside Dimensions:	304mm(H)×452mm(W)×333mm(D)
Oven Cavity Dimensions:	198mm(H)×315mm(W)×297mm(D)
Oven Capacity:	Compact 20Litres
Cooking Uniformity:	Turntable System
Net Weight:	Approx. 11.3kg

BEFORE YOU CALL FOR SERVICE

If the oven fails to operate:

1. Check to ensure that the oven is plugged in securely. If it is not, remove the plug from the outlet, wait 10 seconds, and plug it in again securely.
2. Check for a blown circuit fuse or a tripped main circuit breaker. If these seem to be operating properly, test the outlet with another appliance.
3. Check to ensure that the control panel is programmed correctly and the timer is set.
4. Check to ensure that the door is securely closed engaging the door safety lock system. Otherwise, the microwave energy will not flow into the oven.

IF NONE OF THE ABOVE RECTIFIES THE SITUATION, THEN CONTACT A QUALIFIED TECHNICIAN.
DO NOT TRY TO ADJUST OR REPAIR THE OVEN YOURSELF.

INSTALLATION

1. Make sure that all the packing materials are removed from the inside of the door.
2. **WARNING:** Check the oven for any damage, such as misaligned or bent door, damaged door seals and sealing surface, broken or loose door hinges and latches and dents inside the cavity or on the door. If there is any damage, do not operate the oven and contact qualified service personnel.
3. This microwave oven must be placed on a flat, stable surface to hold its weight and the heaviest food likely to be cooked in the oven.
4. Do not place the oven where heat, moisture, or high humidity are generated, or near combustible materials.
5. For correct operation, the oven must have sufficient airflow. Allow 20cm of space above the oven, 10cm at back and 5cm at both sides. Do not cover or block any openings on the appliance. Do not remove feet.
6. Do not operate the oven without glass tray, roller support, and shaft in their proper positions.

7. Make sure that the power supply cord is undamaged and does not run under the oven or over any hot or sharp surface.
8. The socket must be readily accessible so that it can be easily unplugged in an emergency.
9. Do not use the oven outdoors.

GROUNDING INSTRUCTIONS

This appliance must be grounded. This oven is equipped with a cord having a grounding wire with a grounding plug. It must be plugged into a wall receptacle that is properly installed and grounded. In the event of an electrical short circuit, grounding reduces risk of electric shock by providing an escape wire for the electric current. It is recommended that a separate circuit serving only the oven be provided. Using a high voltage is dangerous and may result in a fire or other accident causing oven damage.

WARNING Improper use of the grounding plug can result in a risk of electric shock.

Note

1. If you have any questions about the grounding or electrical instructions, consult a qualified electrician or service person.
2. Neither the manufacturer nor the dealer can accept any liability for damage to the oven or personal injury resulting from failure to observe the electrical connection procedures.

The wires in this cable main are colored in accordance with the following code:

Green and Yellow = EARTH

Blue = NEUTRAL

Brown = LIVE

RADIO INTERFERENCE

Operation of the microwave oven can cause interference to your radio, TV, or similar equipment.

When there is interference, it may be reduced or eliminated by taking the following measures:

1. Clean door and sealing surface of the oven.
2. Reorient the receiving antenna of radio or television.
3. Relocate the microwave oven with respect to the receiver.
4. Move the microwave oven away from the receiver.
5. Plug the microwave oven into a different outlet so that microwave oven and receiver are on different branch circuits.

IMPORTANT SAFETY INSTRUCTIONS

When using electrical appliance basic safety precautions should be followed, including the following:

WARNING: To reduce the risk of burns, electric shock, fire, injury to persons or exposure to excessive microwave energy:

1. Read all instructions before using the appliance.
2. Use this appliance only for its intended use as described in this manual. Do not use corrosive chemicals or vapors in this appliance. This type of oven is specifically designed to heat, cook or dry food. It is not designed for industrial or laboratory use.
3. Do not operate the oven when empty.
4. Do not operate this appliance if it has a damaged cord or plug, if it is not working properly or if it has been damaged or dropped. If the supply cord is damaged, it must be replaced by the manufacturer or its service agent or a similarly qualified person in order to avoid a hazard.
5. Warning: When the appliance is operated in the combination mode, children should only use the oven under adult supervision due to the temperatures generated.
6. **WARNING:** Only allow children to use the oven without supervision when adequate instructions have been given so that the child is able to use the oven in a safe way and understands the hazards of improper use.
7. To reduce the risk of fire in the oven cavity:
 - a. When heating food in plastic or paper container, check the oven frequently to the possibility of ignition.
 - b. Remove wire twist-ties from paper or plastic bags before placing bag in oven.
 - c. If smoke is observed, switch off or unplug the appliance and keep the door closed in order to stifle any flames.
 - d. Do not use the cavity for storage purposes. Do not leave paper products, cooking utensils or food in the cavity when not in use.
8. **WARNING:** Liquid or other food must not be heated in sealed containers since they are liable to explode.
9. Microwave heating of beverage can result in delayed eruptive boiling, therefore care has to be taken when handle the container.
10. Do not fry food in the oven. Hot oil can damage oven parts and utensils and even result in skin burns.
11. Eggs in their shell and whole hard-boiled eggs should not be heated in microwave ovens since they may explode even after microwave heating has ended.
12. Pierce foods with heavy skins such as potatoes, whole squashes, apples and chestnuts before cooking.
13. The contents of feeding bottles and baby jars should be stirred or shaken and the temperature should be checked before serving in order to avoid burns.
14. Cooking utensils may become hot because of heat transferred from the heated food. Potholders may be needed to handle the utensil.
15. Utensils should be checked to ensure that they are suitable for use in microwave oven.
16. **WARNING:** It is hazardous for anyone other than a trained person to carry out any service or repair operation which involves the removal of any cover which gives protection against exposure to microwave energy.

17. This product is a Group 2 Class B ISM equipment. The definition of Group 2 which contains all ISM (Industrial, Scientific and Medical) equipment in which radio-frequency energy is intentionally generated and/or used in the form of electromagnetic radiation for the treatment of material, and spark erosion equipment. For Class B equipment is equipment suitable for use in domestic establishments and in establishments directly connected to a low voltage power supply network which supplies buildings used for domestic purpose.
18. This appliance is not intended for use by persons (including children) with reduced physical, sensory or mental capabilities, or lack of experience and knowledge, unless they have been given supervision or instruction concerning use of the appliance by a person responsible for their safety.
19. Children should be supervised to ensure that they do not play with the appliance.
20. The microwave oven is only used in freestanding.
21. WARNING: Do not install oven over a range cooktop or other heat-producing appliance. If installed could be damaged and the warranty would be void .
22. The accessible surface may be hot during operation.
23. The door or the outer surface may get hot when the appliance is operating.
24. The temperature of accessible surfaces may be high when the appliance is operating.
25. The appliance shall be placed against a wall.
26. Appliance is not to be used by children or persons with reduced physical, sensory or mental capabilities, or lack of experience and knowledge, unless they have been given supervision or instruction
27. Children being supervised not to play with appliance
28. WARNING: If the door or door seals are damaged, the oven must not be operated until it has been repaired by a competent person
29. The instructions shall state that appliances are not intended to be operated by means of an external timer or separate remote-control system.
30. The microwave oven is for household use only and not for commercial use.
31. Never remove the distance holder in the back or on the sides, as it ensures a minimum distance from the wall for air circulation.
32. Please secure the turn table before you move the appliance to avoid damages.
33. Caution: It is dangerous to repair or maintain the appliance by no other than a specialist because under these circumstances the cover have to be removed which assures protection against microwave radiation. This applies to changing the power cord or the lighting as well. Send the appliance in these cases to our service centre.
34. The microwave oven is intended for defrosting, cooking and steaming of food only.
35. Use gloves if you remove any heated food.
36. Caution! Steam will escape, when opening lids or wrapping foil.
37. This appliance can be used by children aged from 8 years and above and persons with reduced physical, sensory or mental capabilities or lack of experience and knowledge if they have been given supervision or instruction concerning use of the appliance in a safe way and understand the hazards involved. Children shall not play with the appliance. Cleaning and user maintenance shall not be made by children unless they are aged from 8 years and above and supervised.
38. If smoke is emitted, switch off or unplug the appliance and keep the door closed in order to stifle.

MICROWAVE COOKING PRINCIPLES

1. Arrange food carefully. Place thickest areas towards outside of dish.
2. Watch cooking time. Cook for the shortest amount of time indicated and add more as needed. Food severely overcooked can smoke or ignite.
3. Cover foods while cooking. Covers prevent spattering and help foods to cook evenly.
4. Turn foods over once during microwaving to speed cooking of such foods as chicken and hamburgers. Large items like roasts must be turned over at least once.
5. Rearrange foods such as meatballs halfway through cooking both from top to bottom and from the center of the dish to the outside.

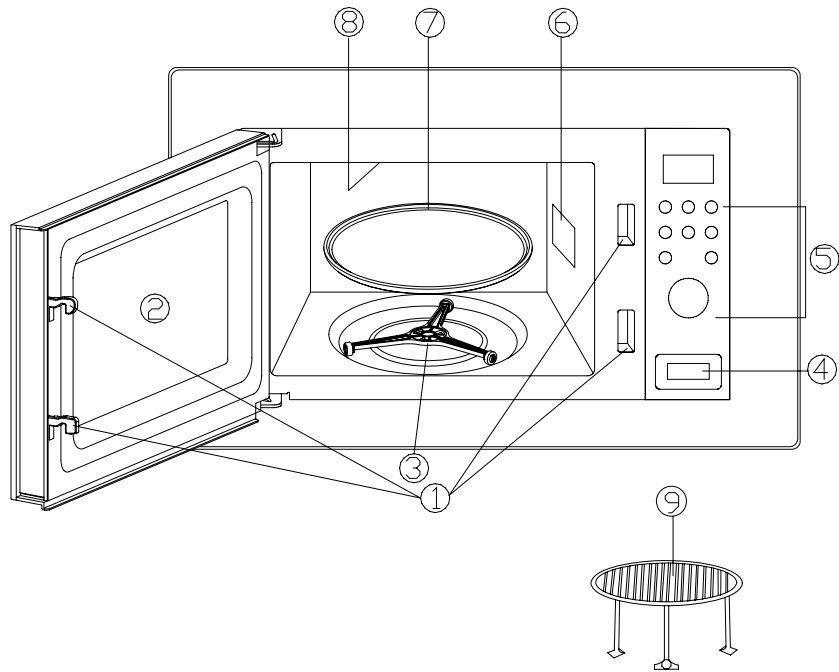
UTENSILS GUIDE

1. The ideal material for a microwave utensil is transparent to microwave, it allows energy to pass through the container and heat the food.
2. Microwave can not penetrate metal, so metal utensils or dishes with metallic trim should not be used.
3. Do not use recycled paper products when microwave cooking, as they may contain small metal fragments which may cause sparks and/or fires.
4. Round /oval dishes rather than square/oblong ones are recommend, as food in corners tends to overcook.
5. Narrow strips of aluminum foil may be used to prevent overcooking of exposed areas. But be careful don't use too much and keep a distance of 1 inch (2.54cm) between foil and cavity.

The list below is a general guide to help you select the correct utensils.

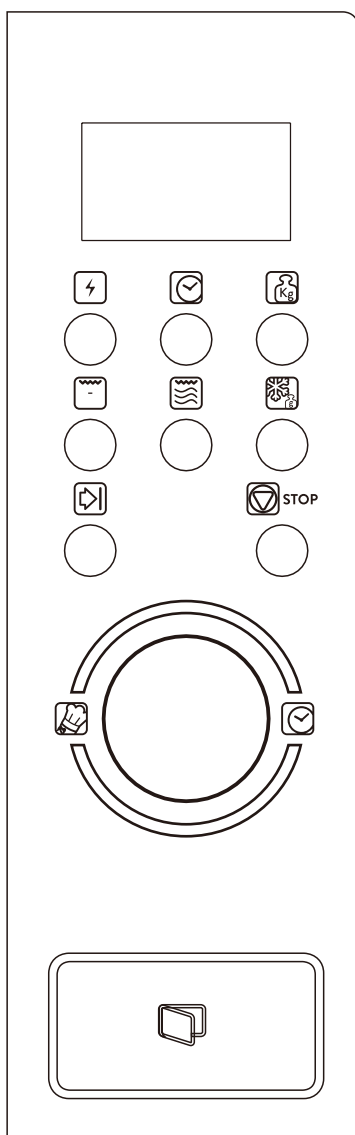
COOKWARE	MICROWAVE	GRILL	COMBINATION
Heat-Resistant Glass	Yes	Yes	Yes
Non Heat-Resistant Glass	No	No	No
Heat-Resistant Ceramics	Yes	Yes	Yes
Microwave-Safe Plastic Dish	Yes	No	No
Kitchen Paper	Yes	No	No
Metal Tray	No	Yes	No
Metal Rack	No	Yes	No
Aluminum Foil & Foil Containers	No	Yes	No











PART NAMES



- 1.** Door Safety Lock System
- 2.** Oven Window
- 3.** Turntable Support
- 4.** Door Release Button
- 5.** Control Panel
- 6.** Wave Guide (Please do not remove the mica plate covering the wave guide)
- 7.** Glass Turntable
- 8.** Grill Heater
- 9.** Metal Rack

CONTROL PANEL



- MENU ACTION SCREEN
 - ▶ Cooking time, power, action indicators, and clock time are displayed.
- POWER LEVEL 
 - ▶ Press this button a number of times to set microwave cooking power level.
- CLOCK 
 - ▶ Press this button to set oven clock.
- WEIGHT ADJUST 
 - ▶ Press to specify food weights or number of servings.
- GRILL 
 - ▶ Press this button to set a grill-cooking program.
- COMBI. 
 - ▶ Cooking with combined microwave and grill power.
- WEIGHT DEFROST 
 - ▶ Press to set defrost program based on the weight entered.
- PRESET 
 - ▶ Press to program a cooking program which starts at an appoint time automatically.
- PAUSE/CANCEL  STOP
 - ▶ Press to cancel setting or reset the oven before setting a cooking program.
 - ▶ Press once to temporarily stop cooking, or twice to cancel cooking altogether.
 - ▶ It is also used for setting child lock.
- MENU/TIME(knob)  
 - ▶ Turn the knob to enter time.
 - ▶ Turn the knob to select an auto-cooking menu.
- Start/QUICK START(MENU/TIME)
 - ▶ Press once to start a cooking program.
 - ▶ Simply press it a number of times to set cooking time and cook immediately at full power level.

HOW TO SET THE OVEN CONTROLS

CHILD LOCK

Use to prevent unsupervised operation of the oven by little children. The CHILD LOCK indicator will show up on display screen, and the oven can not be operated while the CHILD LOCK is set.

To set the CHILD LOCK: Press and hold the PAUSE/CANCEL button for 3 seconds, a beep sounds and lock indicator lights.

TO CANCEL THE CHILD LOCK: Press and hold the PAUSE/CANCEL button for 3 seconds until lock indicator on display turns off.

SETTING CLOCK TIME

This is 12 or 24 hour cycle clock and you can choose it by pressing CLOCK button. To check the time, press the CLOCK button, then the time will be displayed for a while on the display screen.

FOR EXAMPLE: Suppose you want to set the oven clock time to 8:30.

1. Press CLOCK button.
2. Turn MENU/TIME knob to set hour digit "08" .
3. Press CLOCK button once to confirm the hour setting.
4. Turn MENU/TIME to set minute digit "30" .
5. Press CLOCK button once to confirm the setting.

MICROWAVE COOKING

The longest cooking time is 95 minutes.

For example, suppose you want to cook for 10 minute at 60% of microwave power.

1. Press POWER LEVEL button a number of times to set 60%.

Press POWER LEVEL button	COOKING POWER
once	100%
twice	80%
3 times	60%
4 times	40%
5 times	20%
6 times	00%

2. Turn MENU/TIME knob to 10:00.
3. Press START/QUICK START.

QUICK START

The maximum cooking time you can enter is 10 minutes.

The oven will cook food quickly at HIGH power (100% power output) for quick start cooking program. Just press the START/QUICK START a number of times to set cooking time, the oven starts working

immediately at full power.

GRILL COOKING

The longest cooking time is 95 minutes. The grill cooking is particularly useful for thin slices of meat, steaks, chops, kebabs, sausages or pieces of chicken. It is also suitable for hot sandwiches and au gratin dishes.

For example, suppose you want to grill for 12 minutes.

1. Press GRILL button.
2. Turn the MENU/TIME knob to 12:00.
3. Press START/QUICK START.

COMBINATION

The longest cooking time is 95 minutes.

FOR EXAMPLE: Suppose you want to set combination 1 cooking for 25 minutes.

1. Press COMBI. button to show COMBI1.
2. Turn MENU/TIME knob to 25:00.
3. Press START/QUICK START.

WEIGHT DEFROST

The oven allows to defrost food based on the weight entered by user. The defrosting time and power level are automatically set once the food category and the weight are programmed. The frozen food weight ranges from 100g to 1800g.

FOR EXAMPLE: Suppose you want to defrost 600g of shrimp.

1. Press WEIGHT DEFROST button.
2. Press WEIGHT ADJUST to select weight of food to be defrosted.
3. Press START/QUICK START.

NOTE: The oven stops during defrosting to let the user to turn food over for uniform defrosting and then press START/QUICK START to defrost for the remaining time.

PRESET FUNCTION

For example: Suppose the present time is 9:00, and you want the oven to start a cooking program at 11:30.

1. Enter a desired cooking program.
2. Press PRESET button once.
3. Turn MENU/TIME knob to set hour digit 11:00.
4. Press PRESET button once.
5. Turn MENU/TIME knob to set minute to show 11:30.
6. Press PRESET once.

NOTE: Before using the function, please confirm the oven clock time is correct. In preset mode, the preset time can be seen by pressing PRESET pad, if press PAUSE/CANCEL pad when the display shows the time, the function is cancelled.

AUTO COOKING

For the following foods or cooking operation, you do not need to input cooking power and time. Try to

focus on telling the oven what you want to cook and how much the food weighs. The oven starts to work after you pressing the START/QUICK START.

You may need to turn food over at the middle of cooking time to obtain uniform cooking.

For example:

1. In waiting mode, turn the MENU/TIME dial anti-clockwise to select food code to specify the food to be cooked.
2. Press WEIGHT ADJUST button a number of times to indicate the desired weight.
3. Press START/QUICK START button.

Auto cooking menu

Code	Food	
01	Milk/Coffee (200ml/cup)	<ol style="list-style-type: none"> 1. For milk/coffee and potato, the screen will show the number of serving instead of food weight when pressing WEIGHT ADJUST button. 2. For item 07, 08, 09 in the list, the oven stops during cooking, and beeps to remind you to open the door and turn the food over for uniform cooking. 3. The result of auto cooking depends on factors such as voltage fluctuation, the shape and size of food, your personal preference as to the doneness of certain foods and even how well you happen to place food in the oven. If you find the result at any rate not quite satisfactory, please adjust the cooking time a little bit accordingly. 4. For Spaghetti, add boiling water before cooking.
02	Rice (g)	
03	Spaghetti (g)	
04	Potato (each 230g)	
05	Auto Reheat (g)	
06	Fish (g)	
07	Chicken (g)	
08	Beef/Mutton (g)	
09	Skewered Meat (g)	

CLEANING AND CARE

1. Turn off the oven and remove the power plug from the wall socket before cleaning.
2. Keep the inside of the oven clean. When food splatters or spilled liquids adhere to oven walls, wipe with a damp cloth. Mild detergent may be used if the oven gets very dirty. Avoid the use of spray and other harsh cleaners as they may stain, streak or dull the door surface.
3. The outside surfaces should be cleaned with a damp cloth. To prevent damage to the operating parts inside the oven, water should not be allowed to seep into the ventilation openings.
4. Wipe the door and window on sides, the door seals and adjacent parts frequently with a damp cloth to remove any spills or spatters. Do not use abrasive cleaner.
5. Do not allow the control panel to become wet. Clean with a soft, damp cloth. When cleaning the control panel, leave oven door open to prevent oven from accidentally turning on.
6. If steam accumulates inside or around the outside of the oven door, wipe with a soft cloth. This may occur when the microwave oven is operated under high humidity condition. And it is normal.
7. It is occasionally necessary to remove the glass tray for cleaning. Wash the tray in warm sudsy water or in a dishwasher.
8. The roller ring and oven floor should be cleaned regularly to avoid excessive noise. Simply wipe the bottom surface of the oven with mild detergent. The roller ring may be washed in mild sudsy water or dishwasher. When removing the roller ring from cavity floor for cleaning, be sure to replace in the proper position.
9. Remove odors from your oven by combining a cup of water with the juice and skin of one lemon in a deep microwaveable bowl, microwave for 5 minutes. Wipe thoroughly and dry with a soft cloth.
10. When it becomes necessary to replace the oven light, please consult a dealer to have it replaced.
11. The oven should be cleaned regularly and any food deposits removed. Failure to maintain the oven in a clean condition could lead to deterioration of the surface that could adversely affect the life of the appliance and possibly result in a hazardous situation.
12. Please do not dispose this appliance into the domestic rubbish bin, it should be disposed to the particular disposal center provided by the municipalities.
13. When the microwave oven with grill function is first used, it may produce slight smoke and smell. This is a normal phenomenon because the oven is made of a steel plate coated with lubricating oil, and the new oven will produce fumes and odor generated by burning the lubricating oil. This phenomenon will disappear after a period of using.

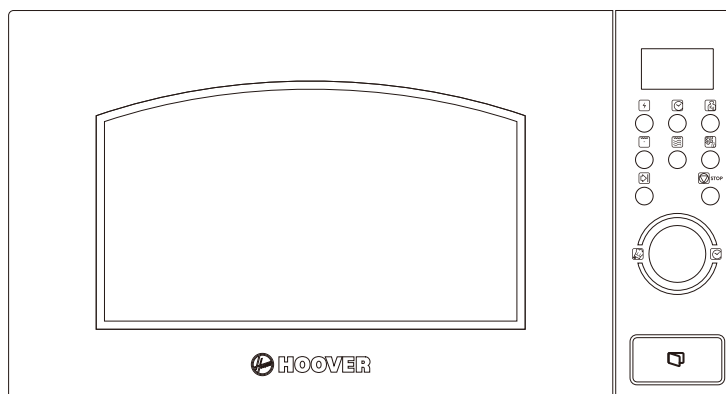


HOVER

MODEL: HMG20GDFWA
38900101

HMG20GDFC
38900102

MIKROVLNNÁ TROUBA S GRILEM



Mikrovlnná trouba Návod k obsluze

Před instalací a použitím této mikrovlnné trouby si prosím pozorně přečtete tento návod k obsluze.

Do níže uvedeného prostoru si poznačte SÉRIOVÉ ČÍSLO, které najdete na typovém štítku vaší trouby a uschovejte si tyto informace pro použití v budoucnosti.

SÉRIOVÉ ČÍSLO.

OPATŘENÍ PRO OCHRANU PŘED MIKROVLNNÝM ZÁŘENÍM

Nepokoušejte se troubu uvádět do provozu s otevřenými dvířky, protože otevření dvířek může způsobit, že se vystavíte škodlivé mikrovlnné energii. Je důležité, abyste nepoškozovali ani nevyřazovali z provozu bezpečnostní prvky.

Mezi čelní stěnu trouby a dvířka nedávejte žádné předměty a nedovolte, aby se na těsnících plochách nahromadili zbytky nečistot nebo čisticích prvků.

Troubu nepoužívejte, pokud je poškozená. Je mimořádně důležité, aby se dvířka trouby zavíraly správně a zda není žádná škoda na

- a. Dvířkách (ohnuté),
- b. Závěsech a západkách (zlomené nebo uvolněné),
- c. Těsnících dvířek a těsnících plochách.

Tato trouba se nesmí upravovat ani opravovat nikým jiným, pouze kvalifikovaným servisním zaměstnancem.

OBSAH

OPATŘENÍ PRO OCHRANU PŘED MIKROVLNNÝM ZÁŘENÍM	2
NEŽ ZAVOLÁTE SERVIS	3
INSTALACE	3
POKYNY K UZEMNĚNÍ	4
RÁDIOVÉ RUŠENÍ	4
DŮLEŽITÉ BEZPEČNOSTNÍ POKYNY	5
ZÁSADY MIKROVLNNÉHO OHŘEVU	7
KUCHYŇSKÉ NÁDOBÍ	7
NÁZVY JEDNOTLIVÝCH ČÁSTÍ	8
OVLÁDACÍ PANEL	9
ČIŠTĚNÍ A ÚDRŽBA	13

NEŽ ZAVOLÁTE SERVIS

V případě, že trouba nefunguje:

1. Ujistěte se, zda je trouba připojená do síťové zásuvky. Pokud tomu tak není, vytáhněte zástrčku ze zásuvky, počkejte 10 sekund a opět ji pevně připojte.
2. Zkontrolujte, zda není vypálená pojistka nebo vypnutý hlavní jistič. Pokud jsou uvedené skutečnosti v pořádku, vyzkoušejte síťovou zásuvku pomocí jiného spotřebiče.
3. Ujistěte se, zda je správně naprogramovaný ovládací panel a nastavený časovač.

Ujistěte se, zda jsou dvířka bezpečně zavřená se zapojením bezpečnostního systému dvířek. V opačném případě nebude do trouby proudit mikrovlnná energie.

POKUD ŽÁDNÝ Z VÝŠE UVEDENÝCH KROKŮ NEVYŘEŠÍ SITUACI, PAK SE OBRAŤTE NA KVALIFIKOVANÉHO TECHNIKA. NESNAŽTE SE NASTAVOVAT NEBO OPRAVOVAT TROUBU SVÉPOMOCNĚ.

INSTALACE

1. Ujistěte se, zda jste vyndali veškeré obalové materiály z vnitřního prostoru trouby.
2. **VAROVÁNÍ:** zkontrolujte, zda na troubě nejsou žádné škody, jako jsou ohnutá dvířka, poškozená těsnění dvířek a těsnící plocha, zlomené nebo uvolněné závěsy dvířek a zámky a prolákliny ve vnitřním prostoru trouby nebo na dvířkách. Pokud existuje jakékoliv poškození, troubu nepoužívejte a obraťte se na kvalifikovaného servisního technika.
3. Tato mikrovlnná trouba musí být umístěná na rovném, stabilním povrchu, který snese její hmotnost i s potravinami, které se budou připravovat v troubě.
4. Neumisťujte troubu na místo, kde je vytvářené teplo nebo vysoká vlhkost, nebo v blízkosti hořlavých materiálů.
5. K zajištění správného provozu musí mít trouba dostatečný průtok vzduchu. Ponechte 20 cm prostoru nad troubou, 10 cm zezadu a 5 cm z obou stran trouby. Nezakrývejte ani neblokuje žádné otvory spotřebiče. Neodstraňujte nožičky trouby.
6. Nepoužívejte troubu bez skleněného talíře, otočného podstavce a hřídele v jejich správné poloze.
7. Ujistěte se, zda není napájecí kabel poškozený a není vedený pod troubou nebo přes horké nebo ostré plochy.
8. Elektrická zásuvka musí být snadno přístupná, tak aby ji bylo možné v případě nouze snadno odpojit.
9. Nepoužívejte troubu venku.

POKYNY K UZEMNĚNÍ

Tento spotřebič musí být uzemněný. Tato trouba je vybavená kabelem, který má zemnicí vodič s uzemňovací zástrčkou. Musí být připojený ke správně instalované a uzemněné síťové zásuvce. V případě elektrického zkratu snižuje uzemnění riziko zasažení elektrickým proudem tím, že poskytne únikový vodič pro elektrický proud. Doporučujeme zajistit samostatný obvod výhradně pro troubu. Použití vysokého napětí je nebezpečné a může vést ke vzniku požáru nebo jinému poškození trouby. **VAROVÁNÍ** Nesprávné použití zemnicí zástrčky může vést k riziku zasažení elektrickým proudem.

Poznámka

1. Pokud máte nějaké dotazy týkající se uzemnění nebo pokynů k elektrickému připojení, obraťte se na kvalifikovaného elektrikáře nebo servisního technika.
2. Výrobce ani prodejce nemůže nést žádnou odpovědnost za škody na troubě nebo zranění plynoucí z nedodržení postupů při elektrickém připojení.

Vodiče v tomto kabelu jsou barevně odlišené v souladu s následujícím značením:

Zelený a žlutý vodič = UZEMNĚNÍ

Modrý vodič = NULÁK

Hnědý vodič = ŽIVÝ

RÁDIOVÉ RUŠENÍ

Použití mikrovlnné trouby může způsobit rušení vašeho rádia, TV nebo podobného zařízení.

Pokud dochází k rušení, může být sníženo nebo odstraněno dodržením následujících opatření:

1. Vyčistěte dvířka a těsnící povrch trouby.
2. Změňte orientaci přijímací antény rádia nebo televizoru.
3. Přemístěte mikrovlnnou troubu s ohledem na pozici přijímače.
4. Přemístěte mikrovlnnou troubu dál od přijímače.
5. Připojte mikrovlnnou troubu do jiné zásuvky, aby byla mikrovlnná trouba a přijímač napájený přes jiný okruh.

DŮLEŽITÉ BEZPEČNOSTNÍ POKYNY

Při použití elektrických spotřebičů je nutné dodržovat základní bezpečnostní opatření, včetně následujících:

VAROVÁNÍ: k snížení rizika popálení, úrazu elektrickým proudem, vzniku požáru, zranění osob nebo vystavení se nadměrnému působení mikrovlnné energie:

1. Před použitím spotřebiče si přečtěte všechny pokyny.
2. Tento spotřebič používejte pouze k účelům, ke kterým je určený dle tohoto návodu k obsluze. Nepoužívejte v tomto spotřebiči korozivní chemikálie nebo výpary. Tento typ trouby je speciálně navržený pro ohřev, přípravu nebo sušení potravin. Není určený k průmyslovým nebo laboratorním účelům.
3. Nepoužívejte troubu, pokud je prázdná.
4. Nepoužívejte tento spotřebič, pokud má poškozený napájecí kabel nebo zástrčku, pokud nefunguje správně nebo pokud je poškozený nebo po pádu. Pokud je poškozený přívodní kabel, musí jej vyměnit výrobce nebo servisní technik, nebo podobně kvalifikovaná osoba, aby se zabránilo případnému nebezpečí.
5. Varování: když používáte spotřebič v kombinovaném režimu, děti smí troubu používat pouze pod dohledem dospělé osoby, z důvodu vysokých teplot.
6. **VAROVÁNÍ:** děti bez dohledu smí používat mikrovlnnou troubu, jen pokud byly adekvátně poučeny, aby byly schopné troubu používat bezpečným způsobem a porozuměly případnému nebezpečí z nesprávného použití trouby.
7. Aby se snížilo riziko vzniku požáru v prostoru trouby:
 - a. Při ohřevu potravin v plastových nebo papírových nádobách dohlížejte na troubu z důvodu možného vznícení;
 - b. Odstraňte drátky z papírových nebo plastových obalů předtím, než je vložíte do trouby.
 - c. Pokud zpozorujete kouř, spotřebič vypněte nebo odpojte a nechte dvířka zavřená, aby se plameny udusili.
 - d. Nepoužívejte vnitřní prostor trouby ke skladovacím účelům. Nenechávejte papírové výrobky, kuchyňské potřeby nebo potraviny v prostoru trouby, pokud ji používáte.
8. **VAROVÁNÍ:** tekutiny nebo jiné potraviny se nesmí ohřívat v uzavřených nádobách, protože jsou náchylné k explozi.
9. Mikrovlnný ohřev nápojů může vést k opožděnému varu, proto je nutné zvýšit pozornost při manipulaci s nádobkou.
10. V troubě nesmažte pokrmy. Horký olej může poškodit části trouby a nádobí a dokonce vést k popálení pokožky.
11. Vejce ve skořápce a celá natvrdo uvařená vejce neohřívejte v mikrovlnné troubě, protože mohou explodovat i po ukončení mikrovlnného ohřevu.
12. Propíchněte potraviny s pevnými slupkami, jako jsou brambory, celé dýně, jablka a kaštiny, než je budete vařit.
13. Obsah kojeneckých láhví s dětským pokrmem je nutné promíchat nebo přetřepat a před podáváním musíte zkontrolovat teplotu, aby nedošlo k popálení.
14. Kuchyňské potřeby se mohou zahřát teplem přenášeným z ohříváných potravin. K manipulaci s nádobami použijte kuchyňskou chňapku.
15. Nádobí vždy zkontrolujte, abyste se ujistili, zda je vhodné pro použití v mikrovlnné troubě.
16. **VAROVÁNÍ:** je nebezpečné pro kohokoliv kromě zkušené osoby, provádět jakékoliv servisní nebo opravné práce, které zahrnují sundání jakéhokoliv krytu, který nabízí ochranu před vystavením se mikrovlnné energii.

17. Tento produkt je ISM zařízení skupiny 2 třídy B. Definice skupiny 2, která obsahuje všechny ISM (průmyslná, vědecká a medicínská) zařízení, ve kterých se záměrně vytváří vysokofrekvenční energie a/nebo se používá ve formě elektromagnetického záření pro zařízení k ošetření materiálu. V případě zařízení třídy B je zařízení vhodné pro použití v domácích podmínkách a v podmínkách přímo připojených k síti nízkého napětí, která napájí budovy používané na domácí účely.
18. Tento spotřebič není určený pro použití osobami (včetně dětí) s omezenými fyzickými, smyslovými nebo duševními schopnostmi, nebo bez potřebných zkušeností a znalostí, pokud nejsou pod dohledem nebo poučené ohledně použití spotřebiče osobou odpovědnou za jejich bezpečnost.
19. Děti by měly být pod dohledem, aby si nehrály se spotřebičem.
20. Mikrovlnná trouba se používá jen jako samostatně stojící spotřebič.
21. VAROVÁNÍ: neinstalujte troubu nad horní panel sporáku nebo na jiné zařízení produkující teplo. V opačném případě by mohlo dojít k poškození a zrušení platnosti záruky.
22. Dostupné povrchy spotřebiče mohou být v průběhu provozu horké.
23. Mikrovlnná trouba se nesmí umisťovat do skříňky.
24. Dvířka nebo vnější povrch se může v průběhu použití spotřebiče značně zahřívat.
25. Teplota přístupných povrchů může být v průběhu použití spotřebiče vysoká.
26. Spotřebič by měl být umístěný vůči zdi.
27. Spotřebič nesmí používat děti nebo osoby s omezenými fyzickými, smyslovými nebo duševními schopnostmi, nebo bez dostatečných zkušeností a znalostí, pokud nejsou pod dohledem nebo nejsou poučené.
28. Děti by měly být pod dohledem, aby si nehrály se spotřebičem.
29. VAROVÁNÍ: pokud jsou poškozená dvířka nebo těsnění dvířek, trouba se nesmí používat, dokud ji neopraví kompetentní osoba.
30. V pokynech se uvádí, že spotřebiče nejsou určené pro ovládání pomocí externího časovače samostatného systému dálkového ovládání.
31. Mikrovlnná trouba je určená pro použití v domácnosti a nikoliv ke komerčním účelům.
32. Nikdy neodstraňujte vymezovací držák na zadní straně nebo bocích, protože zajišťuje minimální vzdálenost od zdi k zajištění cirkulace vzduchu.
33. Před přemístěním spotřebiče prosím zajistěte otočný talíř, aby se zabránilo škodám.
34. Upozornění: je nebezpečné provádět opravy nebo údržbu zařízení jinými osobami, než jsou specialisté, protože za těchto okolností se musí sundat kryt, který zajišťuje ochranu před mikrovlnným zářením. To platí i pro výměnu napájecího kabelu i osvětlení. V takových případech odešlete spotřebič do našeho servisního střediska.
35. Mikrovlnná trouba je určená jen k rozmrazování, přípravě a napařování potravin.
36. V případě vyndávání jakéhokoliv horkého pokrmu používejte rukavice.
37. Upozornění! Při otevření víka nebo obalové fólie dojde k úniku páry.
38. Tento spotřebič smí používat děti starší 8 let a osoby s omezenými fyzickými, smyslovými nebo duševními schopnostmi nebo bez potřebných zkušeností a znalostí, pokud jsou pod dohledem nebo byly poučené o bezpečném použití spotřebiče a porozuměly souvisejícím rizikům. Děti si nesmí hrát se spotřebičem. Čištění a uživatelskou údržbu nesmí provádět děti mladší 8 let a bez dohledu.
39. Pokud ze spotřebiče vychází kouř, spotřebič vypněte nebo odpojte a dvířka nechte zavřená k udušení plamenů.

ZÁSADY MIKROVLNNÉHO OHŘEVU

1. Potraviny pozorně uspořádejte. Nejsilnější části umístěte směrem ven z misky.
2. Sledujte čas přípravy. Připravujte na nejkratší možné době a v případě potřeby přidejte další. Nadměrně převařený pokrm může začít kouřit nebo se může vznítit.
3. Během přípravy pokrmu jej zakryjte. Kryty zabrání postříkání a pomůžou rovnoměrně připravit pokrm.
4. Pokrm obraťte více než jednou během mikrovlnné přípravy, k urychlení ohřevu takových pokrmů, jako je kuře a hamburgery. Veliké kusy, jako jsou pečínky, se musí otočit minimálně jednou. V polovině přípravy změňte uspořádání pokrmů, jako jsou masové kuličky, shora dolů a od středu nádoby k vnějšímu okraji.

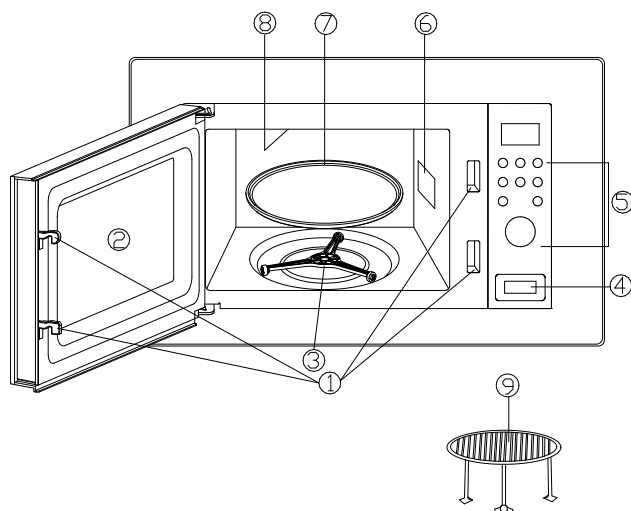
KUCHYŇSKÉ NÁDOBÍ

1. Ideální materiál pro mikrovlnné nádoby je průhledný materiál vhodný pro mikrovlnné trouby, který umožňuje energii procházet přes a ohřívat potraviny.
2. Mikrovlny nepronikají kovem, proto byste neměli používat kovové nádoby nebo nádobí s kovovou obrubou.
3. U mikrovlnného ohřevu nepoužívejte výrobky z recyklovaného papíru, protože mohou obsahovat malé kovové úlomky, které mohou způsobit jiskření a/nebo vznik požáru.
4. Doporučujeme použití kulatých/oválných nádob namísto čtvercových/obdélníkových nádob, protože pokrm v rozích má tendenci se převařit.
5. Úzké proužky hliníkové fólie lze použít k zabránění převaření odkrytých oblastí. Ale buďte opatrní, nepoužívejte velké množství a udržujte vzdálenost 2,54 cm mezi fólií a vnitřním prostorem.

Níže uvedený seznam je všeobecný průvodce, který vám pomůže zvolit správné nádobí.

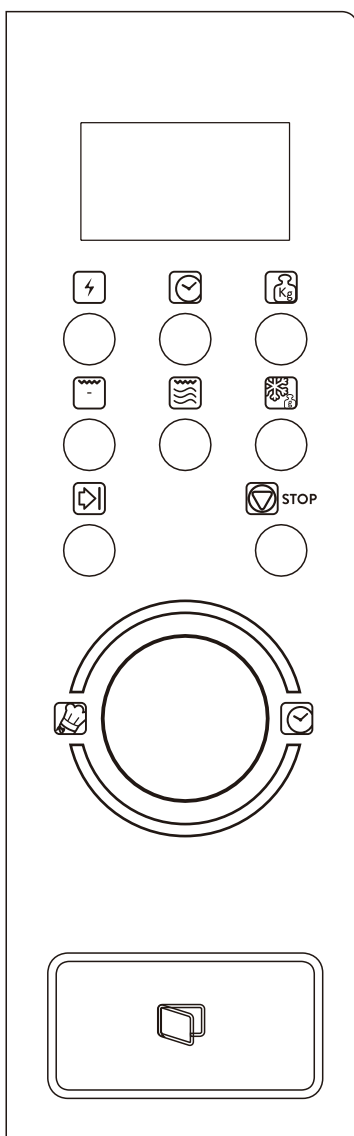
Nádobí	Mikrovlny	Gril	Kombinácia *
Žárovzdorné sklo	Ano	Ano	Ano
Žárovzdorné sklo	Ne	Ne	Ne
Žárovzdorná keramika	Ano	Ano	Ano
Plastová miska vhodná do mikrovlnné trouby	Ano	Ne	Ne
Kuchyňský papír	Ano	Ne	Ne
Kovový talíř	Ne	Ano	Ne
Kovový držák	Ne	Ano	Ne
Hliníková fólie a nádoba z ní	Ne	Ano	Ne



NÁZVY JEDNOTLIVÝCH ČÁSTÍ



1. Systém bezpečnostního zavírání dvířek
2. Okénko do trouby
3. Otočný podstavec
4. Tlačítko otevření dvířek
5. Ovládací panel
6. Vlnovod (Neodstraňujte prosím slídovou tabulku překrývající vlnovod)
7. Skleněný talíř
8. Ohříváč grilu
9. Rošt k opékání

OVLÁDACÍ PANEL



- **DISPLEJ**
Zobrazí se doba tepelné úpravy, výkon, indikátory funkcí a čas.
- **MIKROVLNNÝ VÝKON** 
Opakovaným stisknutím tohoto tlačítka nastavíte úroveň mikrovlnného výkonu.
- **HODINY** 
Stisknutím tohoto tlačítka nastavíte čas mikrovlnné trouby.
- **NASTAVENÍ HMOTNOSTI** 
Stisknutím tohoto tlačítka nastavíte hmotnost pokrmu nebo počet porcí.
- **GRIL** 
Stisknutím tohoto tlačítka zvolíte program grilování.
- **KOMBI.** 
Kombinovaná příprava pokrmů s využitím mikrovln i grilu.
- **ROZMRAZOVÁNÍ PODLE HMOTNOSTI** 
Stisknutím tohoto tlačítka nastavíte program rozmrazování na základě zadané hmotnosti.
- **ČASOVAČ** 
Stisknutím tohoto tlačítka nastavíte program tepelné úpravy tak, aby se spustil automaticky ve stanovený čas.
- **POZASTAVIT/ZRUŠIT** 
Stisknutím tohoto tlačítka zrušíte nastavení nebo vynulujete mikrovlnnou troubu před nastavením zvoleného programu tepelné úpravy.
Jedním stisknutím dočasně pozastavíte tepelnou úpravu, dvojnásobným stisknutím úplně zrušíte zvolený program.
Tlačítko slouží také k nastavení dětské pojistky.
- **MENU/ČAS (otočný ovladač)**  
Otočením ovladače zadejte čas.
Otočením ovladače zvolte menu automatického vaření.
- **START/RYCHLÝ START (MENU/ČAS)**
Jedním stisknutím spustíte zvolený program tepelné úpravy.
Opakovaným stisknutím jednoduše nastavíte délku tepelné úpravy i okamžité vaření při plném výkonu.

NASTAVENÍ OVLÁDACÍCH PRVKŮ SPOTŘEBIČE

DĚTSKÁ POJISTKA

Tato funkce slouží k zabránění nechtěnému použití spotřebiče dětmi. Na displeji se zobrazí indikátor DĚTSKÉ POJISTKY. Dokud je DĚTSKÁ POJISTKA aktivní, mikrovlnnou troubu nelze používat.

Nastavení DĚTSKÉ POJISTKY: Stiskněte a podržte tlačítko POZASTAVIT/ZRUŠIT na 3 sekundy, zazní akustický signál a rozsvítí se indikátor dětské pojistky.

ZRUŠENÍ DĚTSKÉ POJISTKY: Stiskněte a podržte tlačítko POZASTAVIT/ZRUŠIT na 3 sekundy, dokud na displeji nezhasne indikátor dětské pojistky.

NASTAVENÍ ČASU

Můžete si vybrat mezi 12hodinovým a 24hodinovým zobrazením času. Výběr provedete stisknutím tlačítka HODINY. Pro kontrolu času stiskněte tlačítko HODINY, následně se na displeji na několik sekund zobrazí čas. PŘÍKLAD:

Předpokládejme, že chcete nastavit čas zobrazovaný na spotřebiči na 8:30.

1. Stiskněte tlačítko HODINY.
2. Otočením ovladače MENU/ČAS nastavte hodnotu hodin „08“.
3. Jedním stisknutím tlačítka HODINY potvrďte nastavení hodin.
4. Otočením ovladače MENU/ČAS nastavte hodnotu minut „30“.
5. Jedním stisknutím tlačítka HODINY potvrďte nastavení.

MIKROVLNNÁ TEPELNÁ ÚPRAVA

Nejdelší možná doba tepelné úpravy je 95 minut.

Předpokládejme, že chcete připravovat pokrm po dobu 10 minut při 60% mikrovlnném výkonu.

1. Opakovaným stisknutím tlačítka ÚROVEŇ VÝKONU nastavte mikrovlnný výkon 60 %.

Stiskněte tlačítko ÚROVEŇ	MIKROVLNNÝ VÝKON
jednou	100 %
dvakrát	80 %
tříkrát	60 %
čtyřikrát	40 %
pětkrát	20 %
šestkrát	00 %

2. Otočte ovladač MENU/ČAS na 10:00.
3. Stiskněte tlačítko START/Rychlý START.

RYCHLÝ START

Maximální doba tepelné úpravy, kterou lze v tomto případě nastavit, je 10 minut.

Mikrovlnná trouba bude připravovat pokrm rychle při VYSOKÉM výkonu (100% výkon) v programu rychlého startu. Stačí opakovaně stisknout tlačítko START/Rychlý START k nastavení doby tepelné úpravy, mikrovlnná trouba začne ihned fungovat na plný výkon

GRILOVÁNÍ

Nejdelší možná doba tepelné úpravy je v tomto případě 95 minut. Grilování je vhodné zejména pro tenké plátky masa, steaky, kotlety, kebaby, klobásy nebo kousky kuřete. Také se hodí pro zapékání sendvičů a gratinovaných pokrmů.

Předpokládejme, že chcete grilovat 12 minut.

1. Stiskněte tlačítko GRIL.
2. Otočte ovladač MENU/ČAS na 12:00.
3. Stiskněte START/RYCHLÝ START.

KOMBINOVANÁ PŘÍPRAVA POKRMŮ

Nejdelší možná doba tepelné úpravy je v tomto případě 95 minut.

PŘÍKLAD: Předpokládejme, že chcete nastavit kombinaci 1 a délku tepelné úpravy 25 minut.

1. Stiskněte tlačítko KOMBI., zobrazí se COMBI1.
2. Otočte ovladač MENU/ČAS na 25:00.
3. Stiskněte START/RYCHLÝ START.

ROZMRAZOVÁNÍ PODLE HMOTNOSTI

Tato mikrovlnná trouba umožňuje rozmrazovat pokrmy na základě uživatelem zadané hmotnosti. Doba rozmrazování a úroveň výkonu se nastaví automaticky po naprogramování kategorie pokrmu a jeho hmotnosti. Hmotnost zmrazeného pokrmu se pohybuje v rozsahu od 100 g do 1800 g.

PŘÍKLAD: Předpokládejme, že chcete rozmrazit 600 g krevet.

1. Stiskněte tlačítko ROZMRAZOVÁNÍ PODLE HMOTNOSTI.
2. Stisknutím tlačítka NASTAVENÍ HMOTNOSTI nastavte hmotnost pokrmu, který se má rozmrazit.
3. Stiskněte START/RYCHLÝ START.

POZNÁMKA: Mikrovlnná trouba se v průběhu rozmrazování zastaví, abyste mohli pokrm obrátit a zajistit tak jeho rovnoměrné rozmrazování. Po obrácení pokrmu obnovte rozmrazování stiskem START/RYCHLÝ START.

FUNKCE ČASOVAČE

Příklad: Předpokládejme, že je nyní 9:00 a chcete, aby spotřebič zahájil tepelnou úpravu pokrmu v 11:30.

Zvolte požadovaný program tepelné úpravy.

1. Jednou stiskněte tlačítko ČASOVAČ.
2. Otočením ovladače MENU/ČAS nastavte hodiny na 11:00.
3. Jednou stiskněte tlačítko ČASOVAČ.
4. Otočením ovladače MENU/ČAS nastavte minuty na 11:30.
5. Jednou stiskněte tlačítko ČASOVAČ.

POZNÁMKA: Před použitím této funkce se ujistěte, zda je na mikrovlnné troubě správně nastavený aktuální čas. V režimu časovače lze zobrazit přednastavený čas stisknutím tlačítka ČASOVAČ. Pokud stisknete tlačítko POZASTAVIT/ZRUŠIT, když je na displeji zobrazený čas, funkce se zruší.

AUTOMATICKÁ PŘÍPRAVA POKRMU

U následujících pokrmů nebo režimů tepelné úpravy nemusíte zadávat výkon a dobu tepelné úpravy. Soustředte se na to, jaký pokrm chcete připravovat a jaká je hmotnost potravin. Mikrovlnná trouba začne pracovat po stisknutí tlačítka START/RYCHLÝ START.

Možná bude nutné obrátit pokrm po uplynutí poloviny doby tepelné úpravy, abyste dosáhli rovnoměrného propečení.

Příklad:

1. V režimu čekání otočte ovladač MENU/ČAS proti směru hodinových ručiček. Vyberete tak kód pokrmu, což pomáhá určit pokrm, který se má připravit.
2. Pro zobrazení požadované hmotnosti opakovaně stiskněte tlačítko NASTAVENÍ HMOTNOSTI.
3. Stiskněte tlačítko START/RYCHLÝ START.

Menu automatické přípravy

Kód	Pokrm	
01	Mléko/káva (200 ml/šálek)	<ol style="list-style-type: none">1. Po stisknutí tlačítka NASTAVENÍ HMOTNOSTI v případě mléka/kávy a brambor se na displeji zobrazí počet porcí namísto hmotnosti pokrmu.2. U položek 07, 08, 09 v seznamu se mikrovlnná trouba zastaví v průběhu tepelné úpravy a zvukovou signalizací Vám připomene, abyste otevřeli dvířka a obrátili pokrm. Dosáhnete tak rovnoměrného propečení.3. Výsledek automatické přípravy pokrmu závisí na mnoha faktorech, jako je fluktuace napětí, tvar a velikost pokrmu, Vaše vlastní požadavky ohledně dokončení určitých pokrmů a dokonce i na způsobu umístění pokrmu v mikrovlnné troubě. Pokud zjistíte, že výsledek není zcela uspokojivý, upravte prosím podle toho mírně dobu tepelné úpravy.4. V případě špaget přidejte vařící vodu před zahájením přípravy.
02	Rýže (g)	
03	Špagety (g)	
04	Brambory (každý 230 g)	
05	Automatický ohřev (g)	
06	Ryby (g)	
07	Kuře (g)	
08	Hovězí/skopové(g)	
09	Maso na rožni (g)	

ČIŠTĚNÍ A ÚDRŽBA

1. Před čištěním troubu vypněte a odpojte zástrčku od síťové zásuvky.
2. Udržujte vnitřní prostor trouby čistý. Pokud jsou stěny trouby postříkané šťávou z pokrmu a tekutinami, utřete je vlhkou utěrkou. V případě nadměrného znečištění trouby můžete použít jemný mycí prostředek. Vyhněte se použití sprejů a jiných drsných čisticích prostředků, protože ty by mohly zanechat skvrny, šmouhy nebo zmatnit povrch dvířek.
3. Vnější povrchy trouby byste měli čistit vlhkou utěrkou. Aby nedošlo k poškození funkčních částí uvnitř trouby, neměla by se do větracích otvorů dostat voda.
4. Pravidelně utírejte dvířka a okénko dvířek z obou stran, těsnění dvířek a přilehlé části pomocí vlhké utěrky, abyste odstranili případné skvrny nebo kapky. Nepoužívejte abrazivní čisticí prostředky.
5. Pravidelně utírejte dvířka a okénko dvířek z obou stran, těsnění dvířek a přilehlé části pomocí vlhké utěrky, abyste odstranili případné skvrny nebo kapky. Nepoužívejte abrazivní čisticí prostředky.
6. Pokud se pára nahromadí uvnitř nebo kolem vnější části dvířek, utřete ji měkkou utěrkou. Tato situace může nastat, pokud mikrovlnnou troubu používáte v podmínkách s vysokou vlhkostí. Je to normální.
7. Někdy je nutné vyjmout skleněný talíř k jeho vyčištění. Tento talíř umyjte v teplé vodě se saponátem nebo v myčce nádobí.
8. Otočný podstavec a dno trouby byste měli pravidelně čistit, abyste zabránili nadměrnému hluku. Stačí utřít povrch dna trouby jemným mycím prostředkem. Otočný podstavec lze umýt v mírném roztoku vody a mycího prostředku nebo v myčce nádobí. Když vyndáte otočný podstavec z vnitřního prostoru trouby za účelem čištění, nezapomeňte jej pak vrátit zpět do původní polohy.
9. Zápach z trouby odstraníte tak, že smícháte šálek vody se šťávou a kůrou z jednoho citronu v hluboké misce vhodné do mikrovlnné trouby a zahřejete na 5 minut. Důkladně utřete a vysušte pomocí měkké utěrky.
10. Pokud je nutné vyměnit světlo v troubě, obraťte se prosím na prodejce, aby uskutečnil tuto výměnu.
11. Troubu je nutné pravidelně čistit a odstraňovat všechny zbytky potravin. Při nedodržení čistoty v troubě může dojít k poškození povrchu, což by mohlo nepříznivě ovlivnit životnost spotřebiče a případně vést k nebezpečným situacím.
12. Nelikvidujte prosím tento spotřebič v běžném komunálním odpadu, odнесите jej k likvidaci do určeného recyklačního střediska, stanoveného místním zastupitelstvím.
13. Při prvním použití mikrovlnné trouby s funkcí grilu může docházet ke vzniku mírného kouře a zápachu. Jedná se o normální jev, protože trouba je vyrobená z ocelového plechu potaženého mazacím olejem a u nové trouby bude docházet k výparům a zápachu způsobenému spalováním mazacího oleje. Tento jev zmizí po určité době použití.

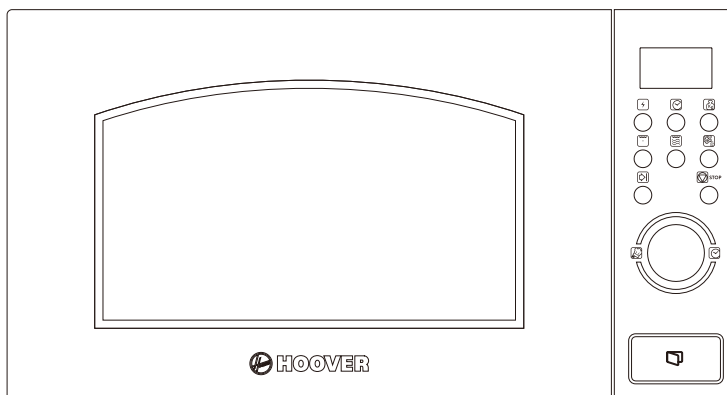


HOOVER

Modèle: HMG20GDFWA
38900101

HMG20GDFC
38900102

Manuel d'utilisation



Merci de lire attentivement les instructions avant d'installer et d'utiliser le four.

Veuillez noter ci-dessous le N° DE SÉRIE que vous trouverez sur la plaque de l'appareil et gardez cette information qui pourra être utile dans l'avenir.

PRECAUTIONS À PRENDRE POUR ÉVITER UNE EXPOSITION ÉVENTUELLE AUX RADIATIONS EXCESSIVES

1. Ne pas tenter d'utiliser ce four avec la porte ouverte car cela entraînerait une exposition dangereuse aux radiations. Il est important de ne pas toucher ou altérer le verrouillage de sécurité.
2. Ne laissez pas la porte ouverte car des poussières pourraient se déposer sur les joints d'étanchéité.
3. Ne faites pas fonctionner le four s'il est endommagé. Il est particulièrement important que la porte ferme bien et qu'il n'y ait pas de dommages à :
 - a. La porte (pliure)
 - b. Les charnières et loquets (cassés ou branlants)
 - c. Les joints de la porte et des surfaces.
4. Le four ne doit pas être arrangé ou réparé par une personne autre qu'un spécialiste dûment qualifié.

CONTENU

PRECAUTIONS À PRENDRE POUR ÉVITER UNE EXPOSITION ÉVENTUELLE AUX RADIATIONS EXCESSIVES	2
AVANT D'APPELER LE SERVICE CLIENTÈLE.....	3
INSTALLATION.....	3
INSTRUCTIONS DE MISE À LA TERRE	4
INTERFÉRENCES RADIO.....	4
INSTRUCTIONS IMPORTANTES DE SÉCURITÉ	5
PRINCIPES DE CUISSON AU FOUR À MICRO-ONDES.....	7
USTENSILES RECOMMANDÉS	7
ÉLÉMENTS DU FOUR.....	8
PANNEAU DE COMMANDE	9
NETTOYAGE ET ENTRETIEN.....	14

AVANT D'APPELER LE SERVICE CLIENTÈLE

Si le four ne fonctionne pas:

1. Vérifiez que l'appareil est bien branché correctement. Si ce n'est pas le cas, débranchez le câble, attendez 10 secondes puis rebranchez-le avec soin.
2. Contrôlez qu'il n'y a pas un fusible fondu ou que le circuit n'a pas disjoncté. Si tout est normal, contrôlez la prise de courant avec un autre appareil.
3. Vérifiez que le panneau de commande est programmé correctement et que le minuteur est bien réglé.
4. Contrôlez que la porte est bien fermée et que le système de verrouillage est bien en place. Dans le cas contraire, il n'y aura pas d'émission de micro-ondes dans le four.

SI AUCUNE DES RECOMMANDATIONS CI-DESSUS N'EST UTILE, CONTACTEZ UN TECHNICIEN QUALIFIÉ. NE TENTEZ PAS DE RÉGLER OU DE RÉPARER LE FOUR PAR VOUS-MÊME.

INSTALLATION

1. Assurez-vous que tous les emballages ont été retirés de l'intérieur du four.
2. ATTENTION: Vérifiez que le four n'a pas de dégâts tels que : une porte pliée ou mal alignée, des joints de porte ou de surface défectueux, des charnières et des loquets cassés ou branlants, des bosses ou des enfoncements à l'intérieur du four ou dans la porte. S'il y a un dommage, n'utilisez pas le four et portez-le à un agent qualifié.
3. Le four à micro-ondes doit être disposé sur un support plan et stable qui résiste à son poids quand il est à pleine charge.
4. Ne placez pas le four dans des endroits où il y a de la chaleur, de l'humidité légère ou forte, ou encore près de matériaux inflammables.
5. Pour fonctionner correctement, le four doit être aéré suffisamment. Laissez 20cm d'espace au-dessus, 10cm à l'arrière et 5cm sur les côtés. Ne recouvrez ni ne bouchez pas les ouvertures ; n'enlevez pas les pieds.
6. N'utilisez pas le four sans que le plateau de verre, l'entraîneur à galets et l'axe ne soient en bonne position.
7. Assurez-vous que le câble électrique n'est pas abîmé, qu'il ne passe pas sous le four ou sur n'importe quelle surface chaude ou coupante.
8. La prise de courant doit être aisément accessible pour débrancher rapidement le four en cas d'urgence.
9. N'utilisez pas le four en plein air.

INSTRUCTIONS DE MISE À LA TERRE

Cet appareil doit être branché à la terre. Il est équipé d'un câble muni d'une prise de terre. Il faut le brancher sur une prise de courant murale correctement installée et reliée à la terre. Dans le cas d'un éventuel court-circuit, la prise de terre réduit les risques de choc électrique en assurant une échappatoire au courant. Il est recommandé de prévoir un circuit électrique uniquement au four à micro-ondes. L'usage d'un courant à haute tension est dangereux et peut provoquer un incendie ou tout autre accident dommageable.

ATTENTION : Un emploi inadéquat de la prise de terre peut provoquer un risque d'électrocution.

Remarque:

1. Si vous avez des questions concernant la mise à la terre ou sur les recommandations au sujet du système électrique, veuillez consulter un électricien qualifié ou un agent agréé.
2. Ni le fabricant, ni le revendeur ne peuvent être tenus responsables de dommages occasionnés au four ou à quelqu'un si les règles de branchement électrique n'ont pas été respectées.

Les fils du câble ont des couleurs respectant le code suivant:

Vert et jaune = TERRE

Bleu = NEUTRE

Marron = SOUS TENSION

INTERFÉRENCES RADIO

Le fonctionnement du four à micro-ondes peut provoquer des interférences avec votre radio, votre téléviseur ou tout autre appareil similaire.

Quand c'est le cas, on peut les réduire ou les supprimer en prenant les mesures suivantes :

1. Nettoyez la porte et les joints du four.
2. Modifiez l'orientation de l'antenne de radio ou de la télévision.
3. Déplacez l'appareil en tenant compte du récepteur.
4. Éloignez l'appareil du récepteur.
5. Branchez le four dans une autre prise de courant afin que lui et le récepteur soient connectés à des circuits différents

INSTRUCTIONS IMPORTANTES DE SÉCURITÉ

Lors de l'emploi d'appareils électriques, il est important de suivre les règles de précaution suivantes :

ATTENTION: Pour réduire les risques de brûlure, d'électrocution, d'incendie, de blessure aux personnes ou d'exposition excessive aux micro-ondes :

1. Lisez bien les instructions avant d'utiliser l'appareil.
2. Employez l'appareil uniquement pour l'utilisation prévue et décrite dans le manuel. N'employez pas de produits chimiques ou de gaz corrosifs dans cet appareil. Ce four a été conçu spécifiquement pour réchauffer, cuire ou déshydrater la nourriture. Il n'est pas prévu pour un usage industriel ou de laboratoire.
3. Ne faites pas fonctionner le four quand il est vide.
4. N'utilisez pas cet appareil si son câble ou sa prise est endommagé, s'ils ne fonctionnent pas correctement ou s'ils ont subi un choc. Dans le cas où le câble a été abîmé, il doit être remplacé par le fabricant ou son agent, ou encore par une personne qualifiée afin d'éviter tout danger.
5. ATTENTION: N'autorisez les enfants à utiliser le four sans surveillance que si des instructions leur ont été données de telle sorte qu'ils soient capables de faire fonctionner le four en toute sécurité et qu'ils soient conscients des dangers provoqués par un usage inadéquat.
6. Pour réduire le risque d'incendie à l'intérieur du four, pensez à :
 5. Surveiller qu'il n'y ait pas d'étincelle quand vous cuisez de la nourriture enveloppée
 6. dans du plastique ou du papier.
7. Enlever toute attache métallique des boîtes en plastique ou en papier avant de les placer dans le four. Si vous observez de la fumée, éteignez ou débranchez l'appareil et gardez la porte fermée pour éteindre toute flamme éventuelle.
8. Ne pas utiliser pas le four pour entreposer quoi que ce soit. Ne pas laisser de choses en papier, d'ustensiles de cuisine ou de nourriture dans le four quand vous ne l'utilisez pas.
7. ATTENTION: Les liquides ou la nourriture ne doivent pas être réchauffés s'ils sont dans des contenants hermétiques car ils sont susceptibles d'exploser.
8. Le chauffage des boissons au four micro-ondes peut provoquer des ébullitions tardives ; il faut donc prendre des précautions avant de se saisir du contenant.
9. Ne faites pas frire de nourriture dans le four. L'huile chaude peut endommager des éléments de l'appareil, des ustensiles et même provoquer des brûlures de la peau.
10. Les œufs frais ou les œufs durs ne devraient pas être réchauffés dans les fours à micro-ondes car ils peuvent exploser même après que le four se soit éteint.
11. Faites des trous dans les aliments à la peau épaisse comme les pommes de terre, les courges, les pommes et les châtaignes avant de cuire.
12. Le contenu des biberons ou des pots pour bébés devrait être remué ou agité et sa température vérifiée avant d'être servi pour éviter tout risque de brûlure.
13. Les ustensiles de cuisine peuvent devenir très chauds de par le transfert de chaleur des aliments. Il peut être nécessaire d'employer des gants.
14. Il faut vérifier si les ustensiles sont adaptés à un usage dans un four à micro-ondes.
15. ATTENTION: Il est dangereux pour toute personne non spécialisée d'effectuer une réparation du four impliquant l'enlèvement des protections contre les radiations.
16. Ce produit est du Groupe 2 Classe B ISM. La définition du Groupe 2 qui contient les ISM (*Industrial, Scientific and Medical equipment*) correspond à tout équipement produisant

intentionnellement des radios-fréquences et/ou utilisées sous forme de radiations électromagnétiques pour le traitement des matériaux et les équipements à électro-érosion. Les appareils de Classe B sont conçus pour un usage domestique à faible voltage comme dans les immeubles d'habitation.

17. Cet appareil n'est pas conçu pour être utilisé par des personnes (enfants compris) ayant une incapacité physique, sensorielle ou mentale, un manque d'expérience ou de connaissance, à moins qu'elles aient reçu des instructions concernant l'usage du four par quelqu'un responsable de leur sécurité.
18. Les jeunes enfants doivent être surveillés afin qu'ils ne jouent pas avec l'appareil.
19. Ce four à micro-ondes est un appareil autonome.
20. ATTENTION: N'installez pas le four sur des éléments ou des appareils de cuisine qui dégagent de la chaleur car sinon le four pourrait être endommagé et la garantie serait caduque.
21. Les surfaces du four peuvent être très chaudes pendant son fonctionnement.
22. Le four à micro-ondes ne doit pas être enfermé dans un meuble.
23. La porte du four et la partie supérieure peuvent être très chaudes pendant son fonctionnement.
24. La température des surfaces du four peut être très élevée pendant son fonctionnement.
25. L'appareil devrait être placé contre un mur.
26. Cet appareil n'est pas conçu pour être utilisé par des enfants ou des personnes ayant une incapacité physique, sensorielle ou mentale, un manque d'expérience ou de connaissance, à moins qu'elles aient reçu des instructions concernant l'usage du four.
27. Il faut surveiller que les enfants ne jouent pas avec l'appareil.
28. ATTENTION: Si la porte ou ses joints d'étanchéité sont abimés, il ne faut pas se servir du four jusqu'à ce qu'il ait été réparé par une personne qualifiée.
29. Les instructions doivent confirmer qu'il ne faut pas tenter d'utiliser les appareils à l'aide d'un minuteur externe ou d'une télécommande qui ne fasse pas partie du four.
30. Le four à micro-ondes est destiné à un usage privé et non commercial.
31. N'enlevez pas les pattes d'écartement situées derrière ou sur les côtés du four car elle assure une ventilation entre l'appareil et le mur.
32. Merci de fixer le plateau tournant avant de déplacer le four pour éviter de le casser.
33. Attention: Il est risqué de faire entretenir ou réparer le four par une personne autre qu'un spécialiste car dans ce cas il faut retirer les protections contre les radiations. Cela implique alors de retirer le câble électrique ainsi que l'éclairage. Dans ce genre de situation, il est préférable d'emmener l'appareil à un agent agréé.
34. Le four à micro-ondes est conçu pour décongeler la nourriture, la cuisiner ou la cuire à la vapeur.
35. Utilisez des gants pour retirer les plats réchauffés.
36. Attention! De la vapeur peut s'échapper lorsque vous ouvrez les boîtes ou que vous retirez les films d'emballage.
37. Cet appareil peut être utilisé par des enfants à partir de huit ans et plus, ainsi que par des personnes ayant une incapacité physique, sensorielle ou mentale, un manque d'expérience ou de connaissance, à condition qu'elles aient reçu des instructions concernant l'usage du four et compris les risques en jeu. Les enfants ne doivent pas jouer avec le four. Le nettoyage et l'utilisation de l'appareil ne doivent pas être effectués par des enfants à moins qu'ils soient âgés d'au moins huit ans et qu'ils soient surveillés.
38. S'il apparaît de la fumée, éteignez ou débranchez le four et gardez la porte fermée pour éteindre des flammes éventuelles..

PRINCIPES DE CUISSON AU FOUR À MICRO-ONDES

1. Disposez les aliments avec précaution en plaçant les morceaux les plus épais vers la périphérie du plat.
 2. Surveillez le temps de cuisson. Basez-vous sur le temps minimum indiqué et prolongez si nécessaire. La nourriture qui est beaucoup trop cuite peut dégager de la fumée, voire s'enflammer.
 3. Recouvrez les aliments durant la cuisson. Cela évite les projections et assure une cuisson uniforme.
 4. Retournez les aliments tels que du poulet ou un hamburger une fois durant la cuisson pour l'accélérer. Des grands morceaux comme le rôti doivent être retournés au moins une fois.
- Déplacez les aliments tels que les boulettes de viande à la moitié de la cuisson du haut vers le bas et du centre à l'extérieur du plat

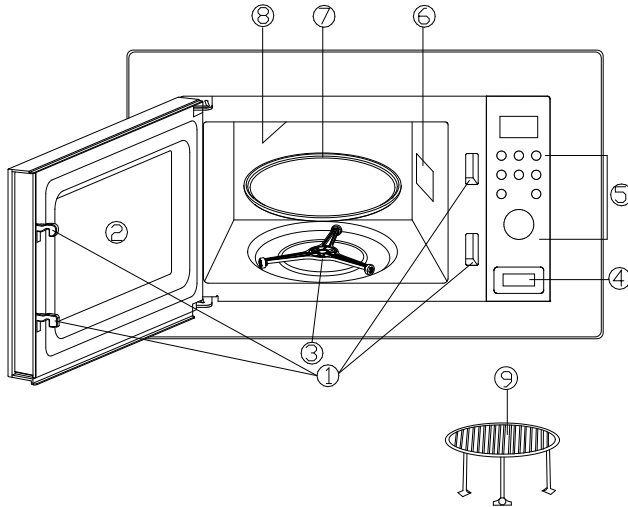
USTENSILES RECOMMANDÉS

1. Le matériau idéal d'un ustensile de four à micro-ondes laisse passer les ondes. Il permet à l'énergie de traverser le contenant pour chauffer la nourriture
2. Les micro-ondes ne peuvent pas traverser le métal, donc il faut éviter tous les ustensiles métalliques.
3. N'utilisez pas de produits constitués de papier recyclé quand vous cuisinez au four car ils peuvent contenir des traces de métaux qui peuvent provoquer des étincelles et/ou des incendies.
4. Les plats ronds ou ovales sont préférables à ceux de forme carrée ou oblongue car les aliments situés dans les angles ont tendance à être trop cuit.
5. De fines feuilles d'aluminium peuvent être utilisées pour éviter de trop cuire les parties exposées. Mais attention de ne pas trop en utiliser et de garder une distance de 2cm environ entre les feuilles et les parois du four.

Pour vous aider dans le choix des ustensiles, nous vous avons préparé la liste ci-dessous :

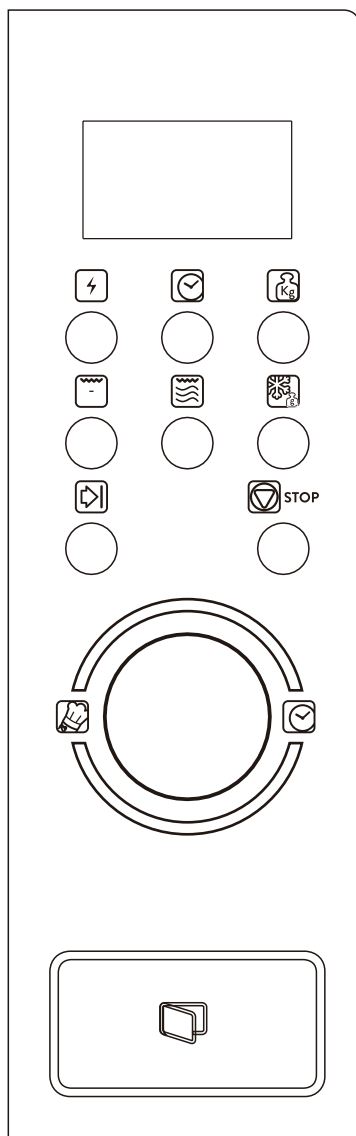
USTENSILES DE CUISINE	FOUR	GRIL	COMBINE
Verre résistant à la chaleur	Oui	Oui	Oui
Verre non-résistant à la chaleur	Non	Non	Non
Céramique résistante à la chaleur	Oui	Oui	Oui
Plat en plastique pour micro-ondes	Oui	Non	Non
Sopalin	Oui	Non	Non
Barquette métallique	Non	Oui	Non
Plat métallique	Non	Oui	Non
Film et barquette d'aluminium	Non	Oui	Non

ÉLÉMENTS DU FOUR



1. Porte munie d'un système de verrouillage
2. Hublot du four
3. Entraîneur à galets
4. Ouverture de la porte
5. Panneau de contrôle
6. Guide d'ondes
7. Plateau de verre
8. Résistance du grill
9. Plateau de cuisson

Panneau de commande



• MENU ECRAN

- ▶ Temps de cuisson, marche/ arrêt, affichage des fonctions, de l'horloge et de la minuterie

• NIVEAU DE PUISSANCE

- ▶ Appuyer sur ce bouton plusieurs fois pour changer les puissances

• HORLOGE

- ▶ Appuyer sur ce bouton pour régler l'heure

• POIDS

- ▶ Appuyer sur ce bouton pour sélectionner le poids ou les portions

• GRILL

- ▶ Permet d'activer la fonction grill

• COMBINE

- ▶ Permet de cuisiner en chaleur tournante + grill

• DECONGELATION PAR POIDS

- ▶ Permet une décongélation basée sur le poids

• DEPART DIFFERE

- ▶ permet de lancer une cuisson en départ différé

• DEMARRAGE/ ARRET

- ▶ Annule ou remise à zéro automatique
- ▶ Appuyer une fois pour mettre sur pause ou 2 fois pour annuler tous les paramètres de cuisson
- ▶ Active la sécurité enfant

• MENU/ DURRE DE CUISSON

- ▶ Tourner la manette pour sélectionner une durée de cuisson
- ▶ Tourner la manette pour sélectionner un programme auto

• DEMARRAGE EXPRESS

- ▶ Appuyer pour sélectionner un programme
- ▶ Appuyer pour sélectionner des temps de cuisson (tranche de 30 secondes)

INSTRUCTIONS DE FONCTIONNEMENT

Sécurité enfant

Permet d'empêcher l'utilisation non supervisée du four par des enfants. L'indicateur CHILD LOCK s'affiche sur l'écran d'affichage et le four ne peut pas être utilisé lorsque la fonction CHILD LOCK est réglée.

Pour régler la fonction CHILD LOCK: Maintenez la touche MARCHE/ARRET enfoncée pendant 3 secondes, un bip retentit et le témoin de verrouillage s'allume.

POUR ANNULER LE VERROUILLAGE DES ENFANTS: Maintenez enfoncé le bouton MARCHE/ARRET pendant 3 secondes jusqu'à ce que le voyant de verrouillage de l'écran s'éteigne..

Réglage de l'heure

Horloge au format 12 ou 24 heures, vous pouvez choisir le format en appuyant sur le bouton d'horloge. Pour vérifier l'heure, appuyez sur le bouton HORLOGE, puis l'heure s'affiche pendant un certain temps sur l'écran d'affichage.

PAR EXEMPLE: Supposons que vous souhaitez régler l'horloge du four à 8:30.

1. Appuyez sur la touche HORLOGE
2. Tournez le bouton MENU /DUREE DE CUISSON pour régler le chiffre d'heure "08".
3. Appuyez une fois sur la touche HORLOGE pour confirmer le réglage de l'heure.
4. Tournez MENU / DUREE DE CUISSON pour régler le chiffre des minutes "30".
5. Appuyez une fois sur le bouton HORLOGE pour confirmer le réglage.

Fonctions de cuisson

Le temps de cuisson le plus long est de 95 minutes. Par exemple, supposons que vous voulez cuire pendant 10 minutes à 60% de la puissance des micro-ondes.

1. Appuyez plusieurs fois sur le bouton NIVEAU DE PUISSANCE pour régler 60%..

APPUYER SUR LE BOUTON	PUISSANCE
1 fois	100 %
2 fois	80 %
3 fois	60 %

4 fois	40 %
5 fois	20 %
6 fois	00 %

1. Tourner la manette MENU/ DUREE DE CUISSON.
2. Appuyer sur DEMARRAGE EXPRESS.

Démarrage Express

Le temps de cuisson maximum que vous pouvez entrer est de 10 minutes. Le four cuisonera les aliments rapidement à haute puissance (100% de puissance) pour le programme de cuisson à démarrage rapide. Il suffit d'appuyer plusieurs fois sur DEMARRAGE EXPRESS pour régler le temps de cuisson, le four commence à fonctionner immédiatement à pleine puissance.

GRIL

Le temps de cuisson le plus long est de 95 minutes. La cuisson au gril est particulièrement utile pour les fines tranches de viande, steaks, côtelettes, kebabs, saucisses ou morceaux de poulet. Il convient également aux sandwiches chauds et aux plats au gratin.

Par exemple, supposons que vous voulez griller pendant 12 minutes.

1. Appuyez sur la touche GRILL.
2. Tournez le bouton MENU / TDUREE DE CUISSON sur 12:00.
3. Appuyez sur DEMARRAGE EXPRESS..

COMBINE

Le temps de cuisson le plus long est de 95 minutes.

PAR EXEMPLE: Supposons que vous vouliez régler la combinaison 1 de cuisson pendant 25 minutes.

1. Appuyez sur COMBINE. Pour afficher COMBI1.
2. Tournez le bouton MENU / DURRE DE CUISSON à 25:00.
3. Appuyez sur DEMARRAGE EXPRESS.

Décongélation au poids

Le four permet de dégivrer les aliments en fonction du poids entré par l'utilisateur. Le temps de dégivrage et le niveau de puissance sont réglés automatiquement une fois que la catégorie d'aliments et le poids sont programmés. Le poids des aliments surgelés varie de 100g à 1800g.

Par exemple: supposons que vous voulez dégivrer 600g de crevettes.

1. Appuyez sur la touche DECONGELATION POIDS.
2. Appuyez sur POIDS pour sélectionner le poids des aliments à décongeler.
3. Appuyez sur DEMARRAGE EXPRESS.

REMARQUE: Le four s'arrête pendant le dégivrage pour permettre à l'utilisateur de retourner les aliments pour un dégivrage uniforme, puis appuyez sur DEMARRAGE EXPRESS pour dégivrer pendant le temps restant

DEPART DIFFERE

Par exemple: Supposons que l'heure actuelle est 9:00, et vous voulez que le four commence un programme de cuisson à 11:30.

1. Entrez le programme de cuisson désiré.
2. Appuyez une fois sur le bouton DEPART DIFFERE.
3. Tournez le bouton MENU /DUREE DE CUISSON pour régler le chiffre des heures 11:00.
4. Appuyez une fois sur le bouton DEPART DIFFERE. .
5. Tournez le bouton MENU / DUREE DE CUISSON pour régler la minute pour afficher 11:30.
6. Appuyez une fois sur DEPART DIFFERE.

REMARQUE: Avant d'utiliser la fonction, vérifiez que l'horloge du four est correcte. En mode pré réglage, l'heure pré-réglée peut être visualisée en appuyant sur la touche DEPART DIFFERE. , si vous appuyez sur le bouton MARCHE/ARRET lorsque l'écran affiche l'heure, la fonction est annulée.

RECETTES AUTO

Für weiter unten beschriebenen Speisen und Garvorgänge müssen weder Garleistung noch -zeit eingegeben werden. Es genügt, dem Mikrowellenofen zu sagen, was gegart werden soll und wie viel das Gargut wiegt. Der Mikrowellenofen startet nach Drücken der Taste START/SCHNELLSTART.

Nach der halben Garzeit kann es erforderlich sein, die Speisen umzudrehen/durchzurühren, um ein gleichmäßiges Garergebnis zu erzielen. BEISPIEL:

1. Im Wartemodus den Drehknopf MENÜ/ZEIT gegen den Uhrzeigersinn drehen, um einen Speisecode für die zu garenden Speisen auszuwählen.
2. Die Taste GEWICHTSEINSTELLUNG mehrfach drücken, bis das gewünschte Gewicht angezeigt wird.
3. Die Taste START/SCHNELLSTART drücken.

Menü für automatisches Garen

Code	Aliments	
01	Lait/ Café (200 ml)	<ol style="list-style-type: none"> 1. Pour le lait, le café et la pomme de terre, l'écran affiche le nombre de portions au lieu du poids des aliments lorsque vous appuyez sur le bouton POIDS. 2. Pour les articles 07, 08, 09 de la liste, le four s'arrête pendant la cuisson et émet un bip pour vous rappeler d'ouvrir la porte et de retourner les aliments pour une cuisson uniforme. 3. Le résultat de la cuisson automatique dépend de facteurs tels que la fluctuation de tension, la forme et la taille de la nourriture, vos préférences personnelles quant à la cuisson de certains aliments et même comment vous passez à placer de la nourriture dans le four. Si vous trouvez que le résultat n'est pas tout à fait satisfaisant, veuillez ajuster le temps de cuisson en conséquence. 4. Pour les spaghettis, ajouter de l'eau bouillante avant la cuisson.
02	Riz (gr)	
03	Spaghetti (gr)	
04	Pommes de terre (230 gr)	
05	Réchauffage auto (g)	
06	Poisson (gr)	
07	Poulet (gr)	
08	Boeuf/ Mouton (gr)	
09	Viande hachée (g)	

NETTOYAGE ET ENTRETIEN

1. Éteignez le four et débranchez la prise avant de nettoyer l'appareil.
2. Maintenez propre l'intérieur du four. Quand il y a des projections de nourriture ou de liquide sur les parois du four, essuyez avec un chiffon humide. Utilisez un détergent doux si le four est vraiment très sale. Évitez l'emploi de spray ou de nettoyeurs agressifs car ils peuvent tacher la surface de la porte, la rayer ou la ternir.
3. Les surfaces extérieures doivent être nettoyées avec un chiffon humide. Afin d'éviter d'abîmer le moteur du four, il ne faut pas faire couler d'eau dans les ouvertures de ventilation.
4. Essuyez la porte et le hublot des deux côtés avec un chiffon humide, les joints de porte et les parties adjacentes pour enlever toutes les projections. N'employez pas de nettoyeurs abrasifs.
5. Ne laissez pas le panneau de contrôle se mouiller. Nettoyez-le avec un chiffon doux et humide. Gardez la porte du four ouverte afin d'éviter de le mettre en marche accidentellement.
6. Si de la vapeur s'accumule à l'intérieur du four ou à l'extérieur devant le hublot, essuyez avec un chiffon doux. Cela peut se produire quand le taux d'humidité de l'air est très élevé et c'est normal.
7. Il est parfois nécessaire d'enlever le plateau de verre pour le nettoyer. Utilisez alors de l'eau tiède savonneuse ou mettez-le au lave-vaisselle.
8. L'entraîneur à galets et le sol du four doivent être nettoyés régulièrement pour éviter des bruits excessifs. Essuyez simplement les surfaces avec un détergent doux. L'entraîneur à galets peut être lavé avec de l'eau tiède savonneuse ou au lave-vaisselle. Faites bien attention à le remettre dans la bonne position.
9. Pour retirer les mauvaises odeurs du four, versez dans un bol pour micro-ondes de l'eau additionnée du jus d'un citron avec sa peau ; chauffez le tout pendant 5 minutes puis essuyez vigoureusement et séchez avec un chiffon doux.
10. Quand il est nécessaire de remplacer la lampe du four, merci de consulter un agent agréé pour qu'il le fasse.
11. Le four doit être nettoyé régulièrement et toutes les projections de nourriture enlevées. Un nettoyage négligent peut conduire à une détérioration éventuelle de la surface, ce qui peut affecter la durée de vie de l'appareil et provoquer un accident.
12. Merci de ne pas jeter cet appareil aux ordures, mais de le laisser dans les containers de recyclage fournies par les municipalités.
13. ATTENTION :

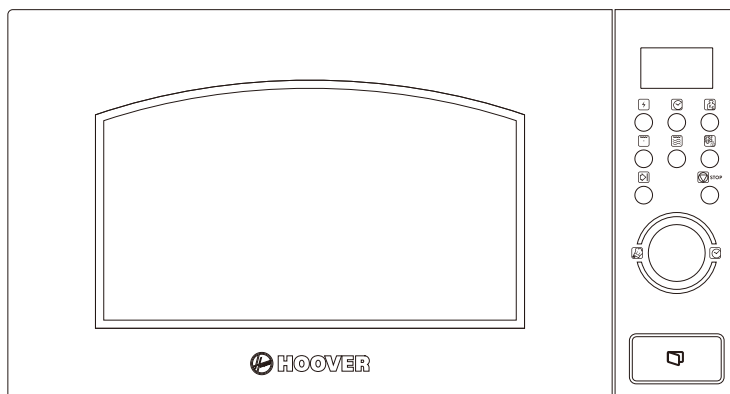
Vous ne devez pas vous débarrasser de cet appareil avec vos déchets ménagers. Un système de collecte sélective pour ce type de produit est mis en place par les communes, vous devez vous renseigner auprès de votre mairie afin d'en connaître les emplacements. En effet, les produits électriques et électroniques peuvent contenir des substances dangereuses qui ont des effets néfastes sur l'environnement ou la santé humaine et doivent être recyclés. Le symbole ci-contre indique que les équipements électriques et électroniques font l'objet d'une collecte sélective, il représente une poubelle sur roues barrée d'une croix



HOOVER

Modell: HMG20GDFWA
38900101

HMG20GDFC
38900102



Bedienungsanleitung

Bitte lesen Sie diese Anweisungen sorgfältig durch, bevor Sie den Ofen installieren und bedienen.

Tragen Sie bitte die Seriennummer, die auf dem Typenschild Ihres Ofens zu finden ist, in das untenstehende Feld ein und bewahren Sie diese Information als künftige Referenz auf.

Sicherheitsmaßnahmen, um die mögliche Aussetzung zur übermäßigen Mikrowellenstrahlungsenergie zu vermeiden

Versuchen Sie nicht, das Gerät zu bedienen, während die Tür offen ist, da es zu schädlicher Aussetzung von Mikrowellenstrahlungsenergie führen kann. Die Sicherheitsverriegelungen dürfen nicht manipuliert oder funktionsunfähig gemacht werden.

2. Platzieren Sie keine Gegenstände zwischen der Ofen-Vorderseite und der Tür oder hinterlassen Sie keine Schmutz- oder Reiniger-Rückstände auf den Sicherheitsverriegelungen.

3. Bedienen Sie den Ofen nicht, wenn er beschädigt ist. Es ist besonders wichtig, dass die Ofen-Tür richtig geschlossen ist und dass die folgenden Teile nicht beschädigt sind:

- a. Die Tür (gebeugt)
- b. Scharniere und Verriegelungen (gebrochen oder gelockert)
- c. Türdichtungen und Dichtungsflächen.

4. Der Ofen sollte nur von qualifiziertem Fachpersonal gewartet und repariert werden.

Inhalt

Sicherheitsmaßnahmen, um die mögliche Aussetzung zur übermäßigen Mikrowellenstrahlungsenergie zu vermeiden	2
BEVOR SIE DEN KUNDENDIENST ANRUFEN	3
INSTALLATION.....	3
ERDUNGSVORSCHRIFTEN.....	4
FUNKSTÖRUNGEN.....	4
WICHTIGE SICHERHEITSANWEISUNGEN	5
HINWEISE ZUM KOCHEN	8
HINWEISE ZUM GESCHIRR	8
Bedienelemente	9
BEDIENFELD	10
BEDIENUNG DES MIKROWELLENOFENS.....	11
REINIGUNG UND WARTUNG.....	15

BEVOR SIE DEN KUNDENDIENST ANRUFEN

Falls der Ofen seinen Dienst versagt:

1. Stellen Sie sicher, dass der Stromstecker fest in der Steckdose steckt. Sollte er nicht sicher eingesteckt sein, ziehen Sie den Stecker aus der Steckdose, warten Sie 10 Sekunden und stecken Sie ihn wieder ein.
2. 2. Überprüfen Sie Ihren Sicherungskasten nach herausgesprungenen Sicherungen oder einem abgeschalteten Haupt-Sicherungsschalter. Sollten diese keine Fehler aufweisen testen Sie die Steckdose mit einem anderen Gerät.
3. 3. Überprüfen Sie, ob das Bedienfeld korrekt programmiert ist und der Timer korrekt eingestellt wurde.
4. 4. Stellen Sie sicher, dass die Tür des Ofens fest im Sicherheits-Schließmechanismus eingerastet ist. Sollte dies nicht der Fall sein, wird der Ofen nicht mit Strom versorgt.

Falls keiner dieser Hinweise hilft, wenden Sie sich bitte an einen qualifizierten Techniker. Versuchen Sie nicht den Ofen eigenhändig zu reparieren.

INSTALLATION

1. Vergewissern Sie sich, dass die sämtlichen Verpackungsmaterialien von der Innenseite des Bodens entfernt sind.
2. **WARNUNG:** Überprüfen Sie den Ofen auf eventuelle Beschädigungen, wie beispielsweise eine aus den Angeln gehobene oder verbogene Tür, beschädigte Isolierungen, gebrochene oder lose Scharniere oder verbeulte Stellen im Innenraum oder an der Tür. Sollten Sie Schäden feststellen, nehmen Sie den Ofen nicht in Betrieb, sondern wenden Sie sich an qualifiziertes Service-Personal.
3. Dieser Mikrowellen-Ofen muss auf einer ebenen, stabilen Oberfläche platziert werden, die das Gewicht des Geräts und der schwersten Speisen, die im Ofen gemacht werden, tragen kann.
4. Platzieren Sie den Ofen nicht in der Nähe von Hitze, Feuchtigkeits- oder Luftfeuchtigkeitsquellen oder von entflammaren Materialien.
5. Für einen ordnungsgemäßen Betrieb benötigt der Ofen ausreichende Luftzufuhr. Gewähren Sie dem Gerät einen Abstand zu Wänden und anderen Objekten von mindestens 20 cm nach oben, 10 cm nach Hinten und 5 cm auf beiden Seiten. Verdecken Sie keine der Öffnungen an der Außenwand des Gerätes und entfernen Sie die Standfüße nicht.
6. Betreiben Sie den Ofen nicht, wenn Glas-Teller, Roll-Ring und Achse sich nicht an der korrekten Position befinden.
7. Stellen Sie sicher, dass das Stromkabel unbeschädigt ist und nicht unter dem Gerät oder auf anderen scharfkantigen oder heißen Oberflächen verläuft.
8. Der Stecker muss zu jeder Zeit leicht erreichbar sein, um im Falle eines Notfalls schnell gezogen werden zu können.
9. Verwenden Sie den Ofen nicht draußen.

ERDUNGSVORSCHRIFTEN

Dieses Gerät muss geerdet sein. Das Gerät ist mit einem Stromkabel mit integriertem Erdungskabel und Erdungsstecker ausgestattet. Es muss mit einer Steckdose verbunden werden, die sachgemäß eingebaut und geerdet ist. Im Falle eines elektrischen Kurzschlusses reduziert die Erdung die Gefahr eines Stromschlages, in dem sie dem Strom die Möglichkeit gibt, zu entweichen. Es wird empfohlen, dieses Gerät an einen eigenen Stromkreis anzuschließen. Der Gebrauch von hohen Spannungen ist gefährlich und kann in einem Feuer oder anderen Unfällen resultieren, die den Ofen beschädigen könnten.

Hinweis:

1. Sollten Sie Fragen zur Erdung oder anderen technischen Hinweisen haben, wenden Sie sich an einen qualifizierten Elektriker oder das Kundendienstpersonal.
2. Weder der Hersteller, noch der Händler können die Haftung für Schäden am Gerät oder Verletzungen von Personen übernehmen, die aus einem fehlerhaften Anschlussverfahren resultieren.

Die einzelnen Kabel im Netzanschluss sind nach folgender Kodierung eingefärbt.

Grün-Gelb: Schutzleiter

Blau: Nullleiter

Braun: Phase

FUNKSTÖRUNGEN

Der Betrieb der Mikrowelle kann Funkstörungen bei Ihrem Radio, Fernseher oder ähnlichen Geräten hervorrufen.

Sollte es zu einer solchen Störung kommen, können sie durch folgende Maßnahmen reduziert oder getilgt werden.

1. Reinigen Sie die Tür und die Oberfläche des Ofens.
2. Positionieren Sie die Antenne von Fernseher oder Radio neu.
3. Positionieren Sie die Mikrowelle neu in Bezug auf den Empfänger.
4. Vergrößern Sie den Abstand von Mikrowelle zum Empfänger
5. Stecken Sie das Stromkabel der Mikrowelle in eine andere Steckdose, damit sich Ofen und Empfänger in unterschiedlichen Stromkreisen befinden

WICHTIGE SICHERHEITSANWEISUNGEN

Wenn Sie das elektrische Gerät nutzen, müssen grundlegende Vorsichtsmaßnahmen beachtet werden, einschließlich der folgenden:

WARNUNG: Um das Risiko von Verbrennungen, eines Stromschlages, eines Brandes, von Körperverletzungen oder der Aussetzung zur übermäßigen Mikrowellenstrahlungsenergie zu verringern:

1. Lesen Sie alle Anweisungen durch bevor Sie das Gerät benutzen.
2. Verwenden Sie das Gerät ausschließlich zu dem vorgesehenem Zweck, wie in dieser Bedienungsanleitung beschrieben ist. Benutzen Sie keine korrosiven Chemikalien oder Dämpfe in diesem Gerät. Dieser Typ von Öfen ist gezielt entworfen worden, um Nahrungsmittel aufzuwärmen, zu kochen oder zu trocknen. Nicht für industrielle Zwecke oder Laboreinsätze geeignet.
3. Bedienen Sie den Ofen nicht, wenn er leer ist.
4. Bedienen Sie das Gerät nicht, wenn das Kabel oder der Stecker beschädigt ist, wenn es nicht richtig funktioniert, heruntergefallen ist oder anderweitig beschädigt wurde. Wenn das Stromkabel in jeglicher Weise beschädigt ist, darf es nur vom Hersteller, einer von ihm beauftragten Werkstatt oder einer ähnlich qualifizierten Person ersetzt werden, um Gefährdungen zu vermeiden.
5. Erlauben Sie nur dann Kindern den Ofen ohne Aufsicht zu nutzen sofern sie eine angemessene Einweisung zur sicheren Nutzung des Ofens und den mit dem unsachgemäßen Gebrauch verbundenen Gefahren erhalten haben.
6. Um das Risiko des Brandes im Garraum des Ofens zu verringern:
Wenn Sie Lebensmittel in einem Plastik- oder Papierbehälter aufwärmen, schauen Sie häufig in den Ofen, um die Möglichkeit der Entflammung auszuschließen.
Entfernen Sie alle Wendeknoten von Papier- und Plastiktüten, bevor Sie diese in den Ofen legen.
Bei Rauch, schalten Sie das Gerät aus oder ziehen Sie den Netzstecker und halten Sie die Tür zu, um die möglichen Flammen zu unterdrücken.
Benutzen Sie den Garraum nicht für Lagerzwecke. Hinterlassen Sie bei Nichtgebrauch keine Papierprodukte, Kochutensilien oder Lebensmittel im Garraum.
7. **WARNUNG:** Flüssigkeit oder andere Nahrungsmittel dürfen nicht in geschlossenen Behältern aufgewärmt werden, da sie explosionsfähig sind.
8. Mikrowellenerwärmung der Getränke kann zu einem verzögerten eruptiven Kochen führen, deswegen muss drauf geachtet werden, vorsichtig mit dem Behälter umzugehen.
9. Braten Sie keine Lebensmittel im Ofen. Heißes Öl kann die Ofenteile oder Utensilien beschädigen und sogar zu Hautverbrennungen führen.
10. Eier mit ihrer Schale und ganze hart-gekochte Eier dürfen in den Mikrowellenöfen nicht aufgewärmt werden, da sie, sogar nach dem Beenden der Mikrowellenerwärmung, explosionsfähig sind.

11. Durchstechen Sie Nahrungsmittel mit den starken Schalen, wie zum Beispiel Kartoffeln, ganze Kürbisse, Äpfel und Maronen vor dem Kochen.
12. Der Inhalt der Babyfläschchen und Gläser muss aufgerührt oder geschüttelt werden und die Temperatur muss vor dem Geben überprüft werden, um Verbrennungen zu vermeiden.
13. Kochutensilien können durch die Hitze von den erhitzten Lebensmitteln heiß werden. Topflappen können benötigt werden, um die Utensilien zu halten.
14. Vergewissern Sie sich, dass Ihre Utensilien für Mikrowellenöfen geeignet sind.
15. **WARNUNG:** Dieses Gerät darf nur von qualifiziertem Wartungspersonal gewartet oder repariert werden, was die Entfernung jeder Deckung, die vor der Exposition zur Mikrowellenenergie schützt, umfasst.
16. Dieses Produkt ist ein ISM-Gerät der Gruppe 2 Klasse B. Gruppe 2 umfasst alle ISM-Geräte (industrielle, wissenschaftliche, medizinische), in denen Radiofrequenzenergie entsteht und/oder in Form von elektromagnetischer Ausstrahlung zur Bearbeitung von Material benutzt wird, sowie Funkenerosionsgeräte. Klasse B sind Geräte für den Hausgebrauch oder Geräte an Stromversorgungsnetzen, die Wohngebäude speisen.
17. Dieses Gerät ist nicht dafür bestimmt, durch Personen (einschließlich Kinder) mit eingeschränkten physischen, sensorischen oder geistigen Fähigkeiten oder mangels Erfahrung und Wissen benutzt zu werden, es sei denn, sie werden durch eine für ihre Sicherheit zuständige Person beaufsichtigt oder erhalten von ihr Anweisungen, wie das Gerät zu benutzen ist.
18. Kleine Kinder müssen beaufsichtigt werden, um zu garantieren, dass sie mit dem Gerät nicht spielen.
19. Die Mikrowelle ist nur freistehend zu benutzen.
20. **WARNUNG:** Über der Herdfläche oder die anderen Wärme-erzeugenden Geräte nicht installieren. Falls installiert, könnte diese beschädigt werden und die Garantie wird erlöschen.
21. Die erreichbare Fläche kann während des Betriebs heiß werden.
22. Der Mikrowellenofen darf nicht in einen Schrank gestellt werden.
23. Die Tür oder die Außenfläche des Gerätes können während des Betriebs heiß werden.
24. Die Temperatur der erreichbaren Fläche kann während des Betriebs hoch werden.
25. Das Gerät soll an eine Wand gestellt werden.
26. Das Gerät ist nicht dafür bestimmt, durch Kinder oder Personen mit eingeschränkten physischen, sensorischen oder geistigen Fähigkeiten oder mangels Erfahrung und Wissen benutzt zu werden, es sei denn, sie die Aufsicht oder die Anweisungen, wie das Gerät zu benutzen ist, erhalten haben.
27. Kleine Kinder müssen beaufsichtigt werden, um zu garantieren, dass sie mit dem Gerät nicht spielen.
28. **WARNUNG:** Wenn die Tür oder die Türdichtungen beschädigt sind, darf der Ofen nicht bedient werden bis er von einer kompetenten Person repariert worden ist.
29. Die Anweisungen stellen fest, dass die Geräte nicht dafür geeignet sind, über eine externe Schaltuhr oder ein separates Fernsteuerungs-System bedient zu werden.

30. Der Mikrowellenofen ist nur im Haushalt und nicht kommerziell zu benutzen.
31. Entfernen Sie nie den Abstandshalter an der Rückseite oder an den Seiten, da er einen Mindestabstand von der Wand für die Luftzirkulation sichert.
32. Bitte befestigen Sie den Drehteller, bevor Sie das Gerät bewegen, um Beschädigungen zu vermeiden.
33. Achtung: Es ist gefährlich für alle anderen, außer für eine dafür ausgebildete Person, Wartungs- oder Reparaturarbeiten auszuführen, die die Entfernung einer Abdeckung erfordert, die den Schutz gegen Strahlenbelastung durch Mikrowellenenergie sicherstellt. Das bezieht sich auch auf die Ersetzung des Stromkabels oder der Beleuchtung. In diesem Fall, schicken Sie das Gerät in unser Servicecenter.
34. Der Mikrowellenofen ist nur für das Auftauen, Kochen und Dampfgaren des Lebensmittels geeignet.
35. Benutzen Sie Handschuhe, um das aufgeheizte Lebensmittel zu entnehmen.
36. Achtung! Der Dampf wird beim Öffnen der Deckel oder Wickelfolie freigesetzt.
37. Das Gerät ist nicht dafür bestimmt, durch Kinder ab 8 Jahren und über und Personen mit eingeschränkten physischen, sensorischen oder geistigen Fähigkeiten oder mangels Erfahrung und Wissen benutzt zu werden, es sei denn, sie werden durch eine für ihre Sicherheit zuständige Person beaufsichtigt oder erhalten von ihr Anweisungen, wie das Gerät zu benutzen ist. Kinder dürfen mit dem Gerät nicht spielen. Die Reinigung und Wartung darf nicht durch Kinder durchgeführt werden, es sei denn Sie sind über 8 Jahre alt und sind betreut
38. Bei Rauch, schalten Sie das Gerät aus oder ziehen Sie den Netzstecker und halten Sie die Tür zu, um die möglichen Flammen zu unterdrücken

HINWEISE ZUM KOCHEN

1. Ordnen Sie die Speisen gewissenhaft an. Platzieren Sie die dicksten Bereiche möglichst am Rand des Geschirrs.
2. Achten Sie auf die Garzeit. Erhitzen Sie die Speisen mit der kürzesten angegebenen Zeit und verlängern Sie die Zeit falls Notwendig. Zu lange erhitzte Speisen können Rauch entwickeln und sich entzünden.
3. Decken Sie die Speisen während des Kochens ab. Das Abdecken verhindert Spritzer und hilft, die Speisen gleichmäßig zu erwärmen.
4. Wenden Sie die Speisen um die Erwärmung beispielsweise von Hähnchen und Burgern zu beschleunigen. Größere Speisen wie zum Beispiel Braten müssen mindestens ein Mal gewendet werden.
5. Platzieren Sie die Speisen neu. Schieben Sie die Speisen bei der Hälfte der Garzeit vom Rand des Geschirrs in die Mitte und umgekehrt

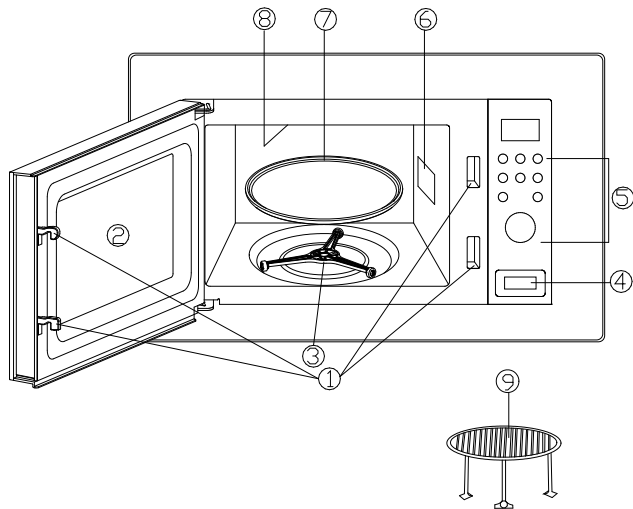
HINWEISE ZUM GESCHIRR

1. Das ideale Material für Mikrowellen-Geschirr ist mikrowellendurchlässig, es lässt die Energie durchfließen und ermöglicht, die Speisen zu erhitzen.
2. Mikro Wellen können kein Metall durchdringen, so Metall-Geschirr oder Geschirr mit metallischer Ummantelung sollten daher nicht benutzt werden.
3. Verwenden Sie keine Produkte aus recycelten Papier, da diese kleinste Metalteile enthalten können, die Funkenflug und Feuer hervorrufen können.
4. Rundes/ovales Geschirr ist gegenüber eckigem zu bevorzugen, da die Speisen in den Ecken dazu neigen überkocht zu werden.
5. Schmale Streifen aus Aluminium-Folie können beim Grill dazu verwendet werden um das überkochen an einigen Stellen zu verhindern. Aber seien Sie vorsichtig, nutzen Sie nicht zu viel Folie und halten Sie stets einen Abstand von 1Inch (2,54 cm) zwischen der Innenwand und der Folie.

Die folgende Liste gibt Ihnen einen Überblick um das richtige Geschirr auszusuchen

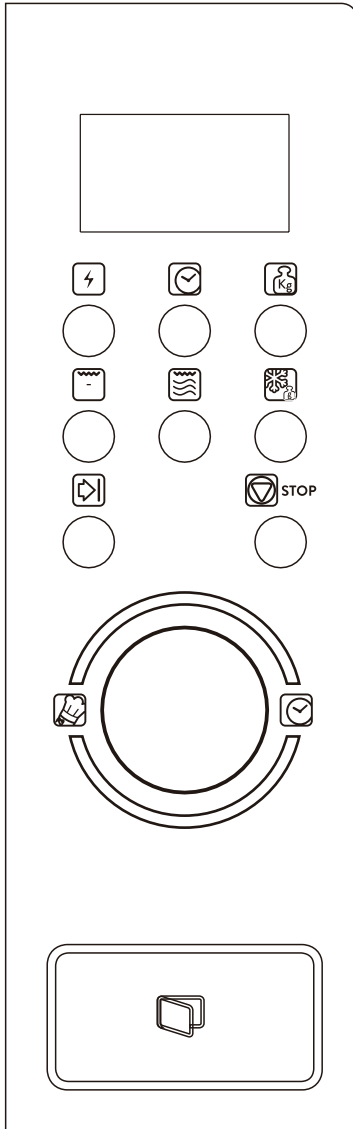
KOCHGESCHIRR	Mikrowelle	GRILL	Kombination
Hitze-festes Glas	Ja	Ja	Ja
nicht Hitze-festes Glas	Nein	Nein	Nein
Hitze-feste Keramik	Ja	Ja	Ja
Mikrowellen-sicheres Plastik-Geschirr	Ja	Nein	Nein
Küchenpapier	Ja	Nein	Nein
Metall-Schale	Nein	Ja	Nein
Metall-Gestell	Nein	Ja	Nein
Aluminium-Folie und Behälter aus Folie	Nein	Ja	Nein

Bedienelemente



1. Sicherheits-Türschließmechanismus
2. Ofen-Fenster
3. Drehbarer Roll-Ring
4. Taste zur Türentriegelung
5. Bedienfeld
6. Wellen-Auslass
7. Glas-Teller
8. Grillheizgerät
9. Backplatte

BEDIENFELD



- **DISPLAY**

- ▶ Zeigt Garzeit, Leistung, Handlungsanweisungen und Uhrzeit an.

- **LEISTUNGSSTUFE** 

- ▶ Diese Taste mehrfach drücken, um die Leistungsstufe des Mikrowellenofens einzustellen.

- **UHR** 

- ▶ Diese Taste drücken, um die Uhr des Mikrowellenofens einzustellen.

- **GEWICHTSEINSTELLUNG** 

- ▶ Diese Taste drücken, um das Gewicht der Speisen oder die Portionsanzahl anzugeben.

- **GRILLEN** 

- ▶ Diese Taste drücken, um ein Grill-Programm einzustellen.

- **KOMBINATION** 

- ▶ Diese Taste drücken, um ein Kombinationsgarprogramm aus Mikrowellengaren und Grill einzustellen.

- **AUFTAUEN (GEWICHT)** 

- ▶ Diese Taste drücken, um ein Auftauprogramm anhand eines eingegebenen Gewichts einzustellen.

- **STARTVORWAHL** 

- ▶ Diese Taste drücken, um einzustellen, dass ein Garprogramm zu einem bestimmten Zeitpunkt automatisch startet.

- **PAUSE/ABBRECHEN**  STOP

- ▶ Diese Taste drücken, um eine Einstellung zu verwerfen oder den Mikrowellenofen vor dem Einstellen eines Garprogramms zurückzusetzen.

- ▶ Einmal drücken, um den Garvorgang vorübergehend anzuhalten. Zweimal drücken, um den Garvorgang vollständig abbrechen.

- ▶ Wird auch zum Einstellen der Kindersicherung verwendet.

- **MENÜ/ZEIT (Drehknopf)**  

- ▶ Den Drehknopf drehen, um die Zeit einzustellen.

- ▶ Den Drehknopf drehen, um ein automatisches Garprogramm auszuwählen.

- **START/SCHNELLSTART (MENÜ/ZEIT)**

- ▶ Einmal drücken, um ein Garprogramm zu starten.

- ▶ Mehrmals drücken, um die Garzeit auszuwählen und sofort auf voller Leistungsstufe zu garen.

BEDIENUNG DES MIKROWELLENOFENS

KINDERSICHERUNG

Diese Funktion dient dazu, eine unbeaufsichtigte Verwendung des Mikrowellenofens durch kleine Kinder zu verhindern. Die Anzeige CHILD LOCK (Kindersicherung) erscheint auf dem Display. Solange die Kindersicherung eingestellt ist, kann der Mikrowellenofen nicht betrieben werden.

Einstellen der Kindersicherung: Die Taste PAUSE/ABBRECHEN 3 Sekunden lang gedrückt halten. Es ertönt ein Piepton und die Sperranzeige leuchtet auf.

AUFHEBEN DER KINDERSICHERUNG: Die Taste PAUSE/ABBRECHEN 3 Sekunden lang gedrückt halten, bis die Sperranzeige erlischt.

EINSTELLEN DER UHRZEIT

Die Uhrzeit kann im 12- oder im 24-Stunden-Format angezeigt werden. Dies kann durch Drücken der Taste UHR ausgewählt werden. Zur Anzeige der Uhrzeit die Taste UHR drücken. Die Uhrzeit erscheint für einige Zeit im Display.

BEISPIEL: Die Uhr soll auf 8:30 eingestellt werden.

1. Die Taste UHR drücken.
2. Den Drehknopf MENÜ/ZEIT drehen, um die Stunden auf „08“ einzustellen.
3. Die Taste UHR einmal drücken, um die Stundeneinstellung zu bestätigen.
4. Den Drehknopf MENÜ/ZEIT drehen, um die Minuten auf „30“ einzustellen.
5. Die Taste UHR einmal drücken, um die Einstellung zu bestätigen.

MIKROWELLENGAREN

Die Garzeit kann auf maximal 95 Minuten eingestellt werden.

BEISPIEL: Es soll 10 Minuten lang bei 60 % Mikrowellenleistung gegart werden.

1. Diese Taste LEISTUNGSSTUFE mehrfach drücken, um 60 % einzustellen.

Taste LEISTUNGSSTUFE drücken	GARLEISTUNG
1x	100 %
2x	80 %
3x	60 %
4x	40 %
5x	20 %
6x	00 %

2. Den Drehknopf MENÜ/ZEIT auf 10:00 drehen.
3. Die Taste START/SCHNELLSTART drücken.

SCHNELLSTART

Es kann eine Garzeit von höchstens 10 Minuten eingegeben werden.

Der Mikrowellenofen gart die Speisen schnell auf der höchsten Leistungsstufe (100 %) im Schnellstart-Programm. Die Taste START/SCHNELLSTART mehrfach drücken, um die Garzeit einzustellen. Daraufhin startet der Mikrowellenofen umgehend den Garvorgang bei voller Leistung.

GRILLEN

Die Garzeit kann auf maximal 95 Minuten eingestellt werden. Grillen ist besonders für das garrn dünner Fleischscheiben, Steaks, Koteletts, Kebab, Würstchen oder Hähnchenstücken geeignet. Auch heiße Sandwiches oder gratinierte Speisen können so zubereitet werden.

BEISPIEL: Es soll 12 Minuten lang gegrillt werden.

1. Die Taste GRILLEN drücken.
2. Den Drehknopf MENÜ/ZEIT auf 12:00 drehen.
3. Die Taste START/SCHNELLSTART drücken.

KOMBINATION

Die Garzeit kann auf maximal 95 Minuten eingestellt werden.

BEISPIEL: Es soll 25 Minuten lang in der Garvariante Kombination 1 gegart werden.

1. Die Taste KOMBINATION drücken, bis COMBI1 angezeigt wird.
2. Den Drehknopf MENÜ/ZEIT auf 25:00 drehen.
3. Die Taste START/SCHNELLSTART drücken.

AUFTAUEN (GEWICHT)

Mit dem Mikrowellenofen können Speisen auf Grundlage einer Gewichtseingabe durch den Benutzer aufgetaut werden. Die Auftauzeit und die Leistungsstufe werden automatisch anhand der programmierten Lebensmittelgruppe und dem Gewicht eingestellt. Es kann ein Gefriergutgewicht von 100 g bis 1800 g eingegeben werden.

BEISPIEL: Es sollen 600 g Garnelen aufgetaut werden.

1. Die Taste AUFTAUEN (GEWICHT) drücken.
2. Die Taste GEWICHTSEINSTELLUNG drücken, um das Gewicht der aufzutauenden Speisen auszuwählen.
3. Die Taste START/SCHNELLSTART drücken.

HINWEIS: Der Mikrowellenofen stoppt während des Auftauvorgangs, um ein Umdrehen oder Durchrühren der Speisen für ein gleichmäßiges Auftauen zu ermöglichen. Nach dem Umdrehen oder Durchrühren die Taste START/SCHNELLSTART drücken, um den Auftauvorgang für die verbleibende Zeit fortzusetzen.

STARTVORWAHL

BEISPIEL: Derzeit ist es 9:00 Uhr. Der Mikrowellenofen soll das Garprogramm um 11:30 Uhr starten.

1. Das gewünschte Garprogramm eingeben.
2. Die Taste STARTVORWAHL einmal drücken.
3. Den Drehknopf MENÜ/ZEIT drehen, um die Stunden auf „11:00“ einzustellen.
4. Die Taste STARTVORWAHL einmal drücken.
5. Den Drehknopf MENÜ/ZEIT drehen, um die Minuten einzustellen, bis im Display „11:30“ angezeigt wird.
6. Die Taste STARTVORWAHL einmal drücken.

HINWEIS: Vor der Verwendung dieser Funktion kontrollieren, ob am Mikrowellenofen die korrekte Uhrzeit eingestellt ist. Im Startvorwahl-Modus kann die voreingestellte Zeit durch Drücken der Taste STARTVORWAHL angezeigt werden. Um die Startvorwahl abubrechen, während der Anzeige der Startvorwahlzeit die Taste PAUSE/ABBRECHEN drücken.

AUTOMATISCHES GAREN

Für weiter unten beschriebenen Speisen und Garvorgänge müssen weder Garleistung noch -zeit eingegeben werden. Es genügt, dem Mikrowellenofen zu sagen, was gegart werden soll und wie viel das Gargut wiegt. Der Mikrowellenofen startet nach Drücken der Taste START/SCHNELLSTART.

Nach der halben Garzeit kann es erforderlich sein, die Speisen umzudrehen/durchzurühren, um ein gleichmäßiges Garergebnis zu erzielen. BEISPIEL:

1. Im Wartemodus den Drehknopf MENÜ/ZEIT gegen den Uhrzeigersinn drehen, um einen Speisecode für die zu garenden Speisen auszuwählen.
2. Die Taste GEWICHTSEINSTELLUNG mehrfach drücken, bis das gewünschte Gewicht angezeigt wird.
3. Die Taste START/SCHNELLSTART drücken.

Menü für automatisches Garen

Code	Speise	
01	Milch/Kaffee (200 ml/Tasse)	<ol style="list-style-type: none"> 1. Bei Milch/Kaffee und Kartoffeln zeigt das Display beim Drücken der Taste GEWICHTSEINSTELLUNG nicht das Gewicht, sondern die Anzahl der Portionen an. 2. Bei den Listennummern 07, 08 und 09 stoppt der Mikrowellenofen während des Garvorgangs und gibt einen Piepton aus, damit der Benutzer die Tür öffnen und die Speisen für ein gleichmäßiges Garergebnis umdrehen oder durchrühren kann. 3. Das Ergebnis des automatischen Garens hängt von verschiedenen Faktoren ab, wie etwa Spannungsschwankungen, Form und Größe der Speisen, persönliche Vorlieben in Hinblick auf den Gargrad bestimmter Speisen sowie die korrekte Positionierung der Speisen im Mikrowellenofen. Sollte das Ergebnis nicht zufriedenstellend sein, kann die Garzeit etwas angepasst werden. 4. Für das Garen von Spaghetti muss vor dem Garen Wasser hinzugefügt werden.
02	Reis (g)	
03	Spaghetti (g)	
04	Kartoffeln (je 230 g)	
05	Automatisches Aufwärmen (g)	
06	Fisch (g)	
07	Hühnerfleisch (g)	
08	Rind/Lamm (g)	
09	Fleischspieß (g)	

REINIGUNG UND WARTUNG

1. Stellen Sie den Ofen ab und entfernen Sie den Stromstecker aus der Steckdose bevor Sie mit der Reinigung des Gerätes beginnen.
2. Halten Sie den Innenraum des Ofens sauber. Essensspritzer und verschüttete Flüssigkeiten, die an den Innenwänden haften, können Sie mit einem feuchten Tuch abwischen. Milde Reinigungsmittel können bei stärkeren Verschmutzungen verwendet werden. Vermeiden Sie den Gebrauch von Spray und anderen aggressiven Reinigern, da sie Flecken oder Streifen bilden oder das Sichtfenster trüben können.
3. Die äußeren Oberflächen sollten mit einem feuchten Tuch gereinigt werden. Um Schäden im Inneren des Gerätes zu vermeiden, darf kein Wasser in die Lüftungsschlitze eindringen.
4. Wischen Sie die Tür und das Sichtfenster von beiden Seiten und auch die Bestandteile des Schließmechanismus regelmäßig mit einem feuchten Tuch um Spritzer und Flecken zu entfernen. Benutzen Sie keine Scheuermittel.
5. Lassen Sie das Bedienfeld niemals nass werden. Reinigen Sie es mit einem weichen, feuchten Tuch. Beim Reinigen des Bedienfeldes lassen Sie die Tür offen, um zu vermeiden, dass der Ofen unbeabsichtigt angeht.
6. Falls sich beim Betrieb Dampf innerhalb der Ofentür bildet, wischen Sie diese mit einem weichen Tuch ab. Dies kann vorkommen, wenn das Gerät bei hoher Luftfeuchtigkeit betrieben wird und ist völlig normal.
7. Es ist gelegentlich notwendig den Glas-Teller zu entfernen um ihn zu reinigen. Spülen Sie den Teller in warmem, seifigem Wasser oder tun Sie ihn in die Spülmaschine.
8. Der Roll-Ring und der Boden des Ofens sollten regelmäßig gereinigt werden um Störgeräusche zu vermeiden. Wischen Sie den Boden ganz einfach mit einem milden Reinigungsmittel aus. Der Roll-Ring kann in warmem Seifenwasser oder im Geschirrspüler gewaschen werden. Beim Entfernen des Roll-Ring vergewissern Sie sich, dass er wieder eine richtige Position einnimmt.
9. Entfernen Sie störende Gerüche aus dem Ofen, in dem eine Mikrowellen-feste Schüssel mit Wasser, Zitronensaft und der Schale einer ganzen Zitrone füllen und diese 5 Minuten per Mikrowelle erhitzen. Wischen Sie den Ofen danach mit einem weichen Tuch trocken.
10. Sollte es notwendig sein, das Ofen-Licht zu ersetzen, wenden Sie sich bitte an den Händler oder an einen qualifizierten Techniker.
11. Der Ofen sollte regelmäßig gereinigt und von Essensresten befreit werden. Eine mangelnde Reinigung kann zur Abnutzung der Oberflächen führen, was eine Beeinträchtigung der Lebensdauer des Gerätes zur Folge hat und in gefährlichen Situationen resultieren kann.
12. Bitte entsorgen Sie das Gerät nicht im gewöhnlichen Hausmüll, sondern geben Sie es bei einem geeigneten von der Gemeinde zur Verfügung gestellten Entsorgungszentrum ab.

13. ACHTUNG : Werfen Sie nicht dieses Produkt, wie es mit anderen Haushaltsprodukten hat. Es gibt eine Mülltrennung von diesem Produkt in Gemeinden, Sie müssen Ihre lokalen Behörden über die Orte, wo man dieses Produkt zurückgeben können zu informieren. In der Tat enthalten elektrische und elektronische Produkte gefährliche Stoffe, die schädliche Auswirkungen auf die Umwelt oder die menschliche Gesundheit haben und sollte recycelt werden. Das Symbol hier darauf hinweisen, dass elektrische oder elektronische Geräte sollten sorgfältig ausgewählt werden, ist ein fahrbarer Abfallbehälter mit einem Kreuz markiert

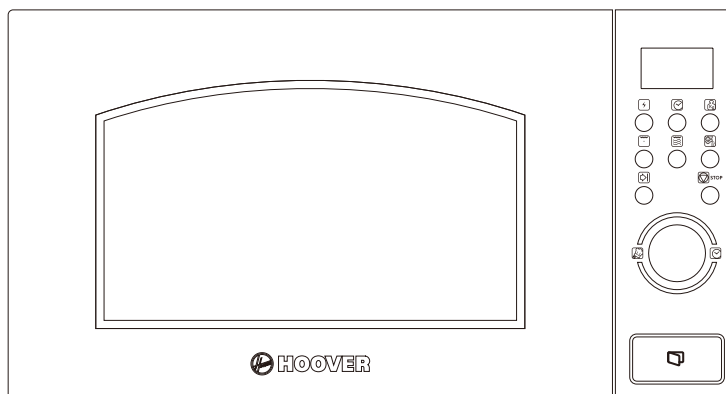


HOOVER

Modello: HMG20GDFWA
38900101

HMG20GDFC
38900102

Manuale d'uso



Si prega di leggere attentamente le istruzioni prima di installare e utilizzare il forno.

Registra nello spazio sottostante il numero seriale sulla targhetta del forno e conservare queste informazioni per riferimento futuro.

**PRECAUZIONI PER EVITARE L'ESPOSIZIONE ECCESSIVA ALL' ENERGIA
A MICROONDE**

- 1.** Non tentare di far funzionare il forno con la porta aperta in quanto il funzionamento a porta aperta può causare una pericolosa esposizione alle microonde. È importante non alterare o manomettere i blocchi di sicurezza.
- 2.** Non posizionare alcun oggetto tra la parte frontale del forno e la porta e non consentire che residui di detergente si accumulino sulle superfici di tenuta.
- 3.** Non mettere in funzione il forno se è danneggiato. È particolarmente importante che la porta del forno si chiuda bene e che non vi è alcun danno al
 - a.** Porta (piegata),
 - b.** Cerniere e chiusure (rotte o allentate),
 - c.** guarnizioni della porta e superfici di tenuta.
- 4.** Il forno deve essere regolato o riparato esclusivamente da personale di assistenza qualificato.

CONTENUTO

PRECAUZIONI PER EVITARE L'ESPOSIZIONE ECCESSIVA ALL' ENERGIA A MICROONDE	2
PRIMA DI CHIAMARE PER ASSISTENZA.....	3
INSTALLAZIONE.....	3
ISTRUZIONI PER MESSA A TERRA.....	4
RADIO INTERFERENZE.....	4
Istruzioni importanti per la sicurezza	5
PRINCIPI di cottura a microonde	7
UTENSILI GUIDA	8
NOMI	9
PULIZIA E CURA.....	15

PRIMA DI CHIAMARE PER ASSISTENZA

Se il forno non funziona:

1. Verificare che il forno è collegato saldamente. Se non lo è, staccare la spina dalla presa di corrente, attendere 10 secondi e ricollegarlo saldamente.
2. Verificare la presenza di un fusibile bruciato del circuito bruciato o un interruttore principale scattato. Se questi sembrano funzionare correttamente, verificare la presa con un altro apparecchio.
3. Verificare che il pannello di controllo sia programmata correttamente e che il timer sia impostato.
4. Verificare che la porta sia ben chiusa utilizzando il sistema di blocco di sicurezza della porta. Altrimenti, l'energia a microonde non scorrerà nel forno.

Se nessuno dei SOPRA risolve la situazione, bisogna contattare un tecnico qualificato. **NON** tentare di regolare o riparare il forno personalmente.

INSTALLAZIONE

1. Assicurarsi che tutti i materiali di imballaggio siano rimossi dall'interno della porta.
2. **ATTENZIONE:** Controllare il forno per eventuali danni, come la porta non allineata o piegata, guarnizioni delle porte danneggiate, superficie di tenuta, cerniere e chiavistelli e ammaccature all'interno della cavità o sulla porta rotta o allentata. Se vi è un danno, non utilizzare il forno e contattare il personale di assistenza qualificato.
3. Questo forno deve essere posizionato su una superficie piana e stabile per sostenere il peso e il cibo cotto in forno.
4. Non posizionare il forno in luoghi in cui si genera calore, umidità o elevata umidità, o vicino a materiali infiammabili.
5. Per un corretto funzionamento, il forno deve avere un flusso d'aria sufficiente. Lasciare 20cm spazio sopra il forno, 10cm indietro e 5 centimetri su entrambi i lati. Non coprire o bloccare le aperture sull'apparecchio. Non rimuovere i piedi.
6. Non far funzionare il forno senza vassoio di vetro, supporto del rullo, e l'albero nelle loro posizioni corrette.
7. Assicurarsi che il cavo di alimentazione non sia danneggiato e non sia poggiato sul forno o su una superficie calda o tagliente.
8. La presa deve essere facilmente accessibile in modo che sia possibile scollegarla facilmente in caso di emergenza.
9. Non utilizzare il forno all'aperto.

ISTRUZIONI PER MESSA A TERRA

Questo apparecchio deve essere collegato a terra. Questo forno è dotato di un cavo con un filo di terra con una spina di terra. Deve essere inserito in una presa a muro che sia correttamente installata e messa a terra. Nel caso di un corto circuito elettrico, la messa a terra riduce il rischio di scosse elettriche, fornendo un filo di fuga per la corrente elettrica. Si raccomanda un circuito separato per il forno. Utilizzare una tensione elevata è pericoloso e può provocare un incendio o altro incidente causando danni al forno.

AVVERTIMENTO L'uso improprio della spina di messa a terra può comportare il rischio di scossa elettrica.

Nota:

1. Se avete domande circa la messa a terra o sulle istruzioni elettriche, consultare un elettricista o un servizio personale qualificato.
2. Né il produttore né il rivenditore può accettare qualsiasi responsabilità per danni al forno o personali derivanti dalla mancata osservanza delle procedure di collegamento elettrico.

I fili in questo cavo principale sono colorati secondo il codice seguente:

Verde e giallo = TERRA

Blu = NEUTRO

Marrone = DIRETTA

RADIO INTERFERENZE

Il funzionamento del forno a microonde può causare interferenze con la radio, TV, o apparecchiature simili.

Quando ci sono interferenze, queste possono essere ridotte o eliminate adottando le seguenti misure:

1. Pulire porta e la superficie di tenuta del forno.
2. Riorientare l'antenna di ricezione di radio o televisione.
3. Spostare il forno a microonde rispetto al ricevitore.
4. Spostare il forno a microonde dal ricevitore.
1. Collegare il forno a microonde in una presa diversa in modo che il forno a microonde e ricevitore si trovino su circuiti diversi

Istruzioni importanti per la sicurezza

Quando si utilizzano apparecchi elettrici bisogna seguire diverse precauzioni di sicurezza, tra cui le seguenti:

AVVERTIMENTO: Per ridurre il rischio di ustioni, scosse elettriche, incendi, danni alle persone o esposizione eccessiva alle microonde:

1. Leggere tutte le istruzioni prima di utilizzare l'apparecchio.
2. Utilizzare l'apparecchio solo per l'uso previsto, come descritto in questo manuale. Non usare prodotti chimici o vapori corrosivi in questo apparecchio. Questo tipo di forno è specificamente progettato per riscaldare o cucinare cibo secco. Non è progettato per l'uso industriale o di laboratorio.
3. Non far funzionare il forno a vuoto.
4. Non utilizzare l'apparecchio se il cavo o la spina sono danneggiati, se non funziona correttamente o se è stato danneggiato o è caduto. Se il cavo di alimentazione è danneggiato, deve essere sostituito dal costruttore, da un suo rappresentante o da una persona qualificata al fine di evitare rischi.
5. **ATTENZIONE:** Consentire ai bambini di utilizzare il forno senza la supervisione solo quando adeguate istruzioni sono state date in modo che il bambino sia in grado di utilizzare il forno in modo sicuro e sia in grado di capire i pericoli di un uso improprio.
6. Per ridurre il rischio di incendio nel forno:
Durante il riscaldamento di alimenti in contenitori di plastica o di carta, controllare il forno spesso per evitare che si incendino.
Rimuovere i lacci di chiusura dalla carta o i sacchetti di plastica prima di mettere in forno.
Se si nota del fumo, spegnere o staccare la spina e tenere la porta del forno chiusa per soffocare eventuali fiamme.
Non usare il forno per lo stoccaggio. Non lasciare prodotti di carta, utensili da cucina o cibo nel forno quando non in uso.
7. **ATTENZIONE:** liquido o altri alimenti non devono essere riscaldati in contenitori sigillati in quanto potrebbero esplodere.
8. Il riscaldamento di bevande nel forno a microonde può causare l'ebollizione del liquido e la sua fuoriuscita, quindi, fare attenzione quando si prende il contenitore.
9. Non friggere cibo nel forno. L'olio caldo può danneggiare le parti e gli utensili del forno e addirittura provocare ustioni della pelle.
10. Le uova nel loro guscio e intere non vanno riscaldate nel forno a microonde in quanto potrebbero esplodere anche dopo che il riscaldamento a microonde è terminato.

11. Alimenti con buccia come le patate, zucche intere, mele e castagne vanno pulite prima della cottura.
12. Il contenuto di biberon e vasetti da bambino dovrebbe essere mescolato o agitato e la temperatura deve essere controllata prima di servire in modo da evitare scottature.
13. Gli utensili da cucina possono surriscaldarsi a causa del calore trasferito dal cibo riscaldato. Le presine possono essere necessarie per manipolare l'utensile.
14. Gli utensili dovrebbero essere controllati per assicurare che siano adatti per l'uso in microonde.
15. ATTENZIONE: È pericoloso per chiunque non sia una persona addestrata procedere a qualsiasi operazione di assistenza o riparazione che comporta la rimozione di qualsiasi copertura che offre una protezione contro l'esposizione alle microonde.
16. Questo prodotto è un gruppo di 2 apparecchiature di classe B ISM. Sono definiti del gruppo 2, tutte le apparecchiature ISM (Industrial, Scientific and Medical) in cui l'energia di radio-frequenza è generata e / o utilizzata sotto forma di radiazione elettromagnetica per il trattamento di materiale e attrezzature elettroerosione. Le apparecchiature di Classe B sono adatte all'uso in ambienti domestici e in strutture direttamente collegate a una rete di alimentazione a bassa tensione che alimenta edifici utilizzati per uso domestico.
17. Questo apparecchio non è destinato ad essere utilizzato da persone (compresi i bambini) con fisicità ridotta o ridotte capacità, sensoriali o mentali, o con mancanza di esperienza e conoscenza, a meno che non siano controllati o istruiti all'uso dell'apparecchio da una persona responsabile della loro sicurezza.
18. I bambini devono essere sorvegliati per assicurarsi che non giochino con l'apparecchio.
19. Il forno a microonde va utilizzato in libera installazione.
20. ATTENZIONE: Non installare il forno su un piano di cottura o su un'altro apparecchio che produce calore. se installato potrebbe essere danneggiato e la garanzia decadrebbe.
21. La superficie accessibile potrebbe essere molto calda durante il funzionamento.
22. Il forno a microonde non deve essere collocato in un armadio.
23. La porta o la superficie esterna possono diventare molto calde quando l'apparecchio è in funzione.
24. La temperatura delle superfici accessibili può essere elevata quando l'apparecchio è in funzione.
25. L'apparecchio deve essere posto contro una parete.

26. L'apparecchio non deve essere utilizzato da bambini o persone con ridotte capacità fisiche, sensoriali o mentali, o con mancanza di esperienza e conoscenza, a meno che non siano controllati o istruiti.
27. I bambini devono essere sorvegliati per evitare che giochino con l'apparecchio.
28. **ATTENZIONE:** Se le guarnizioni delle porte sono danneggiate, il forno non deve essere utilizzato fino a quando non è stato riparato da una persona competente.
29. Le istruzioni devono indicare che gli apparecchi non sono destinati ad essere azionati per mezzo di un timer esterno o un sistema di comando a distanza separato.
30. Il forno a microonde è per uso domestico e non per uso commerciale.
31. Non rimuovere il distanziale nella parte posteriore o ai lati, in quanto garantisce una distanza minima dalla parete per la circolazione dell'aria.
32. Si prega di fissare il tavolo prima di spostare l'apparecchio per evitare danni.
33. **Attenzione:** È pericoloso riparare o effettuare manutenzione sull'apparecchio se non si è un esperto perché in queste circostanze il coperchio deve essere rimosso ed esso assicura la protezione contro le radiazioni a microonde. Questo vale sia per il cambio del cavo di alimentazione che per l'illuminazione. In questi casi bisogna inviare l'apparecchio al nostro centro di assistenza.
34. Il forno a microonde è destinato all'utilizzo per scongelamento, cottura e riscaldamento di solo cibo.
35. Utilizzare guanti se si rimuove qualsiasi cibo riscaldato.
36. **Attenzione!** Il vapore esce, quando si aprono i coperchi o c'è della stagnola.
37. Questo apparecchio può essere utilizzato da bambini da 8 anni in su e le persone con capacità fisiche, sensoriali o mentali ridotte o senza esperienza e conoscenza solo se sono stati controllati o istruiti all'uso dell'apparecchio in modo sicuro e capiscono i pericoli. I bambini non devono giocare con l'apparecchio. La pulizia e la manutenzione utente non devono essere effettuate da parte dei bambini a meno che non siano di età superiore agli 8 anni e sotto supervisione.
38. Se il viene emesso fumo, spegnere o scollegare l'apparecchio e tenere la porta chiusa in modo da soffocare le fiamme..

PRINCIPI di cottura a microonde

1. Disporre con attenzione il cibo. Posizionare le aree più spesse verso l'esterno del piatto.
2. Guardare il tempo di cottura. Cuocere per il più breve lasso di tempo indicato e aggiungere se necessario. Il cibo troppo cotto può fumare o prendere fuoco.
3. Coprire i cibi durante la cottura. Si evitano così spruzzi ed è possibile cucinare in modo uniforme.
4. Girare gli alimenti una volta durante la cottura a microonde per accelerare la cottura di alimenti come il pollo e gli hamburger. Oggetti di grandi dimensioni come gli arrosti devono essere girati almeno una volta.

Ridisporre alimenti come polpette a metà cottura sia dall'alto verso il basso che dal centro del piatto verso l'esterno

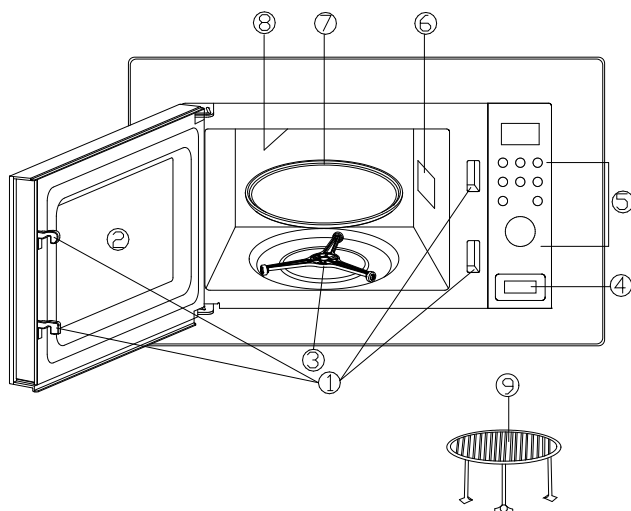
UTENSILI GUIDA

1. Il materiale ideale per il microonde è la plastica trasparente per microonde, che permette all'energia di passare attraverso il contenitore e riscaldare il cibo.
2. Il forno a microonde non può penetrare il metallo, quindi utensili in metallo o piatti con finiture in metallo non devono essere usati.
3. Non utilizzare prodotti di carta riciclata nella cottura a microonde, in quanto potrebbero contenere frammenti di metallo di piccole dimensioni che possono causare scintille e / o incendi.
4. è raccomandabile l'utilizzo di piatti ovali, piuttosto che quelli quadrati / oblungi, in quanto il cibo negli angoli tende a cuocere troppo.
5. Strette strisce di alluminio possono essere usate per impedire la cottura eccessiva delle aree esposte. Ma attenzione a non utilizzare troppo e mantenere una distanza di 1 pollice (2,54 centimetri) tra la pellicola e le pareti del forno.

L'elenco che segue è una guida generale per aiutarvi a selezionare gli utensili corretti:

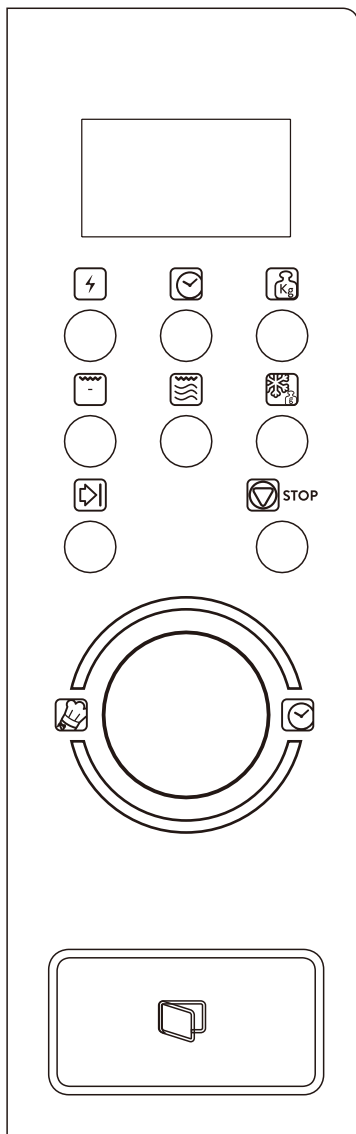
PENTOLE	MICROONDE	GRILL	COMBINAZIONI
Vetro resistente al calore	sì	sì	sì
Vetro non resistente al calore	No	No	Non
Ceramica resistente al calore	sì	sì	sì
Piatto microonde plastica	sì	No	No
Carta da cucina	sì	No	No
Vassoio di metallo	No	sì	No
Rack metallo	No	sì	No
Di alluminio & Foil Container	No	sì	No

NOMI



1. Bloccaggio di sicurezza della porta
2. Finestra Forno
3. Piatto girevole
4. Pulsante di apertura dello sportello
5. Pannello di controllo
6. Guida d'onda
7. Vassoio di vetro
8. Resistenza del grill
9. Piastra di cottura

pannello di controllo



- Schermo menu

visualizza tempo di cottura, potenza, indicatore azione e orologio

- Livello di potenza

premere questo pulsante più volte per selezionare il livello di potenza di cottura del microonde

- Orologio

premere questo pulsante per selezionare l'orologio del forno

- Regolazione peso

premere per specificare il peso del cibo o il numero di porzioni

- Grill

premere per selezionare il programma cottura-grill

- Combi

cottura con microonde e grill

- Peso scongelamento

premere per selezionare il programma scongelamento in base al peso inserito

- Preselezionare

premere per programmare una cottura che inizi in un'ora stabilita automaticamente

- Pausa/ cancella

premere per cancellare un'impostazione o per resettare il forno prima di impostare un programma di cottura. Premere una volta per fermare temporaneamente la cottura, due volte per cancellare la cottura. È anche usato per impostare la sicurezza bambini.

- Menu/tempo(manopola)

girare la manopola per selezionare il tempo. Premere più volte per impostare un tempo di cottura e cucinare immediatamente a un livello di potenza pieno.

come impostare i controlli del forno

blocco bambino

usata per prevenire usi del forno non supervisionate da parte di bambini piccoli.

L'indicatore blocco bambini sarà mostrato sul display e il forno non potrà subire operazioni mentre è selezionato il blocco bambini.

Per selezionare il blocco bambini : tenere premuto il pulsante Pause/Cancel per 3 secondi fino a che l'indicatore di blocco sul display non scompare.

-Per deselezionare il blocco bambino : tenere premuto il pulsante Pause/Cancel per 3 secondi fino a che

l'indicatore di blocco sul display non scompare .

Selezionare il tempo

un ciclo di 12 o 24 ore e si può scegliere questo programma premendo il pulsante orologio. Per controllare il tempo, premere il pulsante orologio, si visualizzerà il tempo per un attimo sul display.

Per esempio : supponendo di voler selezionare l'orologio alle 8.30.

1. premere il pulsante orologio
2. girare la manopola Menu/Time per impostare l'ora digitale "08"
3. premere il pulsante orologio pr confermare l'ora impostata
4. girare la manopola Menu/Time per impostare i minuti digitali "30"
5. premere il pulsante orologio per confermare i minuti impostati.

COTTURA MICROONDE

il tempo di cottura più lungo è 95 minuti.

per esempio, supponiamo si voglia cuocere per 10 minuti a 60% microonde .

1. premere il pulsante livello potenza più volte per selezionare 60%.

Premere il pulsante livello potenza	Potenza di cottura
una	100 %
due	80 %
3 volte	60 %
4 volte	40 %
5 volte	20 %
6 volte	00 %

2. Girare la manopola Menu/Time a 10.00.
3. premere start/quick start

Avvio rapido

il tempo massimo che si può inserire è 10 min

il forno cucinerà il cibo in maniera rapida ad alta potenza (100% di potenza) per il programma cottura rapida.

Premere il pulsante start/quick start più volte per selezionare i tempi di cottura, il forno inizierà a funzionare immediatamente a piena potenza.

COTTURA GRILL

il tempo massimo di cottura è 95 minuti.

la cotta grill è particolarmente utile per pezzi di carne sottili, bistecche, bracioline, kebab, salsicce e pezzi di pollo.

è anche utile per caldi sandwiches e piatti gratinati.

per esempio supponendo che si voglia utilizzare il grill per 12 minuti.

1. premere il pulsante grill
2. girare la manopola Menu /time a 12.00
3. premere start/quick start.

COMBINATO

il tempo di cottura massimo è 95 minuti.

per esempio : supponendo si voglia impostare la cottura combinata per 25 minuti.

- 1 . premere Combi. il pulsate per mostrare COMBI1
- 2 . girare la manopola Menu/Time a 25.00
- 3 . premere Start/Quick start.

Scongelamento peso

il forno permette di scongelare il cibo in base al peso selezionato.

il tempo e il livello di potenza di scongelamento vengono impostati automaticamente quando vengono programmati la categoria di cibo e il peso. il peso del cibo congelato è in media da 100g a 1800g.

per esempio: supponendo si voglia scongelare 600g di gamberetti.

Premere il pulsante scongelamento peso

- 2 premere regolazione peso per selezionare il peso del cibo fa scongelare
- 3 premere il pulsante Start/quick start

il forno si ferma durante lo scongelamento per permettere a chi lo sta utilizzando per girare il cibo per uno scongelamento uniforme dopo premere il pulsante Start/quick start per scongelare durante il tempo rimanente.

Funzione preselezione

Per esempio: supponendo che l'ora corrente è 9.00 e si vuole che il forno cominci il programma di cottura alle 11.30.

1. inserire il programma di cottura desiderato
2. premere una volta il pulsante preselezione
3. girare la manopola Menu/Time e selezionare l'ora digitale 11.00
4. premere il pulsante preselezione una volta
5. girare la manopola Menu /time per selezionare i minuto fa mostrare 11.30
6. premere una volta il pulsante preselezione

prima di usare la funzione controllare che l'ora l'orologio del forno sia corretta. nella modalità preselezione il tempo preselezionato può essere visto premendo il pulsante preselezione, se si preme Pause/Cance quando il display mostra il tempo la funzione verrà cancellata

AUTOCOTTURA

per i seguenti cibi o operazioni di cottura, non c'è bisogno di inserire potenza e tempo di cottura.

provare a indicare il cibo che si vuole cucinare e quanto pesa.

il forno inizia a funzionare dopo aver premuto il pulsante Strt/quick Start.

si potrebbe avere la necessità di girare il cibo a metà cottura per ottenere una cottura uniforme.

per esempio:

1. in modalità attesa, girare la manopola Menu/Time in senso antiorario per selezionare il codice del cibo per specificare quale cibo cuocere.
2. premere il pulsante regolazione peso più volte per indicare il peso desiderato.
3. premere il pulsante Start/ Quick start.

AUTOCOTTURA MENU

Code	Speise	
01	latte/caffè (200ml/ tazza)	<ol style="list-style-type: none">1. per il latte/caffè e patate, lo schermo mostrerà il numero di portate invece per peso del cibo quando si premerà il pulsante regolazione peso .2. per i prodotti 07,08,09 della lista il forno si blocca durante la cottura e segnali acustici ricordano di aprire lo sportello e girare il cibo per una cottura uniforme .3. il risultato dell' autocottura dipende da fattori come fluttuazioni di tensioni, forma e misura del cibo se si ritiene che la cottura del cibo non è abbastanza soddisfacente regolare al meglio il tempo di cottura .4. per gli spaghetti aggiungere acqua bollente prima di cuocere .
02	riso (g)	
03	spaghetti (g)	
04	patate	
05	auto riscaldamenti(g)	
06	pesce (g)	
07	pollo (g)	
08	manzo / montone (g)	
09	Spiedini(g)	

PULIZIA E CURA

1. Spegner il forno ed estrarre la spina dalla presa di corrente prima di pulirlo.
2. Mantenere l'interno del forno pulito. Quando schizzi di cibo o liquidi versati aderiscono alle pareti del forno, pulire con un panno umido. Un detergente delicato può essere utilizzato se il forno è sporco. Evitare l'uso di spray e altri detersivi aggressivi in quanto potrebbero macchiare, strisciare o opacizzare la superficie della porta.
3. Le superfici esterne devono essere pulite con un panno umido. Per evitare danni alle parti che operano all'interno del forno, l'acqua non dovrebbe essere fatta penetrare nelle aperture di ventilazione.
4. Pulire la porta e la finestra su entrambi i lati, le guarnizioni della porta e le parti adiacenti frequentemente con un panno umido per rimuovere eventuali fuoriuscite o schizzi. Non utilizzare detersivi abrasivi.
5. Non lasciare che il pannello di controllo si bagni. Pulire con un panno morbido e umido. Durante la pulizia del pannello di controllo, lasciare la porta del forno aperta per evitare l'accensione accidentale.
6. Se il vapore si accumula all'interno o intorno alla parte esterna della porta del forno, pulire con un panno morbido. Questo si può verificare quando il forno è in funzione in condizioni di elevata umidità. Ed è normale.
7. Occasionalmente è necessario rimuovere il vassoio di vetro per la pulizia. Lavare il vassoio in acqua saponata calda o in lavastoviglie.
8. L'anello rotante e la base forno devono essere puliti regolarmente per evitare un rumore eccessivo. Basta pulire la superficie di fondo del forno con detergente delicato. L'anello rotante può essere lavato in acqua saponata o lavastoviglie. Quando si rimuove l'anello del rullo dalla base per la pulizia, accertarsi di riposizionarlo nella posizione corretta.
9. Rimuovere gli odori dal vostro forno tramite l'utilizzo di una tazza di acqua con il succo e la buccia di un limone in una ciotola per microonde profonda, in forno a microonde per 5 minuti. Pulire accuratamente e asciugare con un panno morbido.
10. Quando diventa necessario sostituire la luce del forno, si prega di rivolgersi a un rivenditore per la sostituzione.
11. Il forno deve essere pulito regolarmente e eventuali resti di cibo. L'incapacità di mantenere il forno pulito può provocare deterioramenti della superficie che possono influenzare negativamente la durata dell'apparecchio e causare pericoli.
12. Si prega di non gettare questo apparecchio nella spazzatura domestica; esso deve essere smaltito in un centro di smaltimento fornito dai comuni.

13. ATTENZIONE :

Non gettare quest' apparecchio tra i rifiuti domestici. Per questo tipo di prodotti è fornito dai comuni un sistema di raccolta e ritiro in zona ed è quindi un dovere informarsi per conoscere il giusto smistamento del rifiuto. Infatti, i prodotti elettrici ed elettronici possono contenere sostanze pericolose che hanno effetti dannosi sull'ambiente o sulla nostra salute e quindi devono essere riciclati. Il simbolo al lato indica che le apparecchiature elettriche ed elettroniche fanno parte di una raccolta selettiva e differenziata (rappresentata da un bidone su due ruote sbarrato da una croc

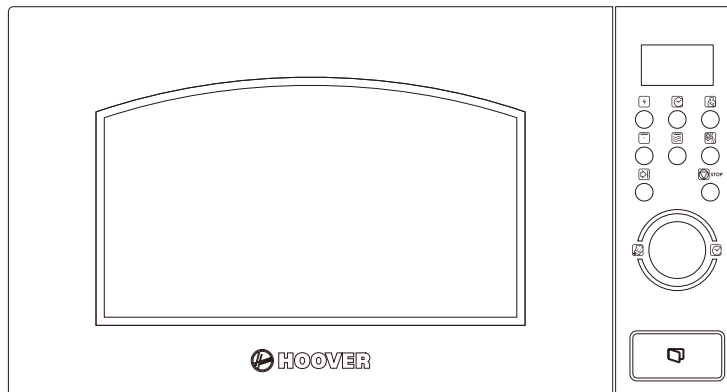


HOOVER

Modelo: HMG20GDFWA
38900101

HMG20GDFC
38900102

Manual do Proprietário



Por favor, leia atentamente estas instruções antes de instalar e operar o forno. Registro no espaço abaixo do NO SERIAL. encontrado na placa de identificação do seu forno e guarde esta informação para referência futura.

Nº de SÉRIE

**Precauções para evitar a exposição POSSÍVEL
EXCESSIVA energia de microondas**

1. Não tente operar o forno com a porta aberta desde a operação porta aberta pode resultar em exposição prejudicial à energia das microondas. É importante não anular ou adulterar a travas de segurança
2. Não coloque nenhum objecto entre a parte frontal do forno ea porta ou permitir solo ou limpador de resíduos se acumulem nas superfícies de vedação
3. Não opere o forno se estiver danificado. É particularmente importante que a porta do forno fechem correctamente e que não há nenhum dano para o
 - a. Porta (dobrado)
 - b. Dobradiças e trincos (quebrados ou soltos),
 - c. Vedações da porta e superfícies de vedação.
4. O forno não deve ser ajustado ou reparado por qualquer pessoa, exceto o pessoal de serviço devidamente qualificados.

Precauções para evitar a exposição POSSÍVEL

EXCESSIVA energia de microondas.....	2
ANTES DE CONVOCAÇÃO PARA SERVIÇO	3
INSTALAÇÃO.....	3
ERDUNGSVORSCHRIFTEN.....	4
INTERFERÊNCIA DE RÁDIO.....	4
INSTRUÇÕES DE SEGURANÇA IMPORTANTES	5
MICROONDAS PRINCÍPIOS DE COZINHA.....	7
GUIA DE UTENSÍLIOS.....	7
NOMES DAS PEÇAS	8
COMO DEFINIR OS CONTROLOS DO MICRO-ONDAS	10
LIMPEZA E CONSERVAÇÃO	14

ANTES DE CONVOCAÇÃO PARA SERVIÇO

Se o aparelho falhar de operar:

1. Verifique se o forno está ligado de forma segura. Se não estiver, retire o plugue da tomada, aguarde 10 segundos e ligue-o novamente com firmeza.
2. Verifique se há um fusível queimado ou desarmado disjuntor principal. Se estes parecem estar funcionando corretamente, teste a tomada com outro aparelho.
3. Verifique se o painel de controle está programado corretamente e que o temporizador está definido.
4. Verifique se a porta está bem fechada envolvendo o sistema de trava de segurança da porta. De outro modo, a energia de microondas não entra no forno.

Verifique se a porta ESTA Bem fechada envolvendo o Sistema de trava de Segurança da porta. De Outro modo, a Energia de microondas Localidade: Não Entra no forno.

INSTALAÇÃO

1. Certifique-se de que todos os materiais de embalagem são removidos a partir do interior da porta.
2. AVISO: Verifique o forno por qualquer dano, como porta desalinhada ou dobrada, vedações das portas danificadas e superfície de vedação, portas quebradas ou soltas dobradiças e travas e dentes dentro da cavidade ou na porta. Se houver algum dano, não utilize o forno e contacte o pessoal qualificado
3. his microwave oven must be placed on a flat, stable surface to hold its weight and the heaviest food likely to be cooked in the oven.
4. Não coloque o forno, onde o calor, umidade ou alta umidade são gerados, ou perto de materiais combustíveis..
5. Para o correto funcionamento, o forno deve ter fluxo de ar suficiente. Permitir 20 centímetros de espaço acima do forno, 10 centímetros na parte traseira e 5 centímetros em ambos os lados. Não cubra ou bloqueie as aberturas do aparelho. Não retire os pés..
6. Do not operate the oven without glass tray, roller support, and shaft in their proper positions.
7. Certifique-se de que o cabo de alimentação não está danificado e não funciona sob o forno ou sobre qualquer superfície quente ou cortante..
8. O casquilho deve ser facilmente acessível, de modo que ela possa ser retirada facilmente, em caso de emergência..
9. Não use o forno ao ar livre.

ERDUNGSVORSCHRIFTEN

Este aparelho deve ser ligado à terra. Este aparelho está equipado com um cabo com um fio de aterramento com um plugue de aterramento. Ele deve ser conectado a uma tomada de parede que esteja devidamente instalada e ligada à terra. No caso de um curto-circuito, o aterramento reduz o risco de choque elétrico, fornecendo um fio de escape para a corrente elétrica. Recomenda-se que um circuito independente, servindo apenas o forno ser fornecida. Usando uma alta tensão é perigosa e pode resultar em um incêndio ou outro acidente, causando danos forno. AVISO O uso inadequado do plugue de aterramento pode resultar em risco de choque elétrico..

Note

1. Se você tem alguma dúvida sobre o aterramento ou instruções elétrica, consulte um electricista qualificado ou técnico de manutenção.
2. Nem o fabricante nem o fornecedor pode aceitar qualquer responsabilidade por danos ao forno ou danos pessoais resultantes da inobservância dos procedimentos de conexão elétrica. Os fios neste cabo principal são coloridos de acordo com o seguinte código:

Verde e Amarelo = TERRA

Azul = NEUTRO

Brown = VIVO

INTERFERÊNCIA DE RÁDIO

Funcionamento do forno de microondas pode causar interferência em seu rádio, TV ou equipamento similar.

Quando existe interferência, ela pode ser reduzida ou eliminada mediante a adoção das seguintes medidas

1. Limpeza e a superfície de vedação da porta do forno.
2. Reorientar a antena de recepção de rádio ou televisão.
3. Deslocar o forno de microondas com relação ao receptor.
4. Mover o forno de microondas para longe do receptor
5. Ligue o forno de microondas em uma tomada diferente, de modo que o forno de microondas eo receptor estejam em circuitos diferentes

INSTRUÇÕES DE SEGURANÇA IMPORTANTES

Ao usar o aparelho precauções básicas de segurança elétricas devem ser seguidas, incluindo as seguintes::

AVISO: Para reduzir o risco de queimaduras, choque elétrico, incêndio, danos a pessoas ou a exposição à energia das microondas excessiva:

1. Leia todas as instruções antes de usar o aparelho.
2. Utilize este aparelho apenas para o seu uso pretendido, conforme descrito neste manual. Não use produtos químicos corrosivos ou vapores neste aparelho. Este tipo de forno é projetado especificamente para aquecer, cozinhar ou alimentos secos. Ele não foi projetado para uso industrial ou de laboratório..
3. Não opere o forno quando estiver vazio..
4. Não opere o aparelho se ele tem um cabo ou plugue danificado, se ele não está funcionando corretamente ou se tiver sido danificado ou descartado. Se o cabo de alimentação estiver danificado, deve ser substituído pelo fabricante ou pelo seu agente de serviço ou uma pessoa qualificada, a fim de evitar um perigo.
5. **ATENÇÃO:** Só permita que crianças utilizem o forno sem supervisão quando as instruções adequadas foram dadas para que a criança é capaz de usar o forno de uma forma segura e entende os riscos de uso indevido.
6. Para reduzir o risco de incêndio no interior do forno: a. Quando aquecer alimentos em recipientes de plástico ou de papel, fique de olho no forno, devido à possibilidade de ignição; b. Retire fios ou laços de papel ou sacos plásticos antes de colocar no saco de forno. c. Se observar fumo, desligue ou desconecte o aparelho e mantenha a porta fechada para abafar as chamas. d. Não utilize a cavidade para fins de armazenamento. Não deixe produtos de papel, utensílios de cozinha ou alimentos na cavidade quando não em uso
7. **ATENÇÃO:** Líquidos ou outros alimentos não devem ser aquecidos em recipientes fechados, uma vez que podem explodir:
8. Aquecimento por microondas de bebida pode resultar em ebulição eruptiva retardada, portanto o cuidado deve ser tomado ao manusear o recipiente.
9. Fazer comida não fritar no forno. O óleo quente pode danificar as peças do forno e utensílios de cozinha e até mesmo resultar em queimaduras na pele.
10. Os ovos na casca e inteiros ovos cozidos não devem ser aquecidos em fornos de microondas, uma vez que podem explodir, mesmo após aquecimento por microondas terminou..
11. Alimentos Pierce com peles pesados, tais como batatas, abóboras integrais, maçãs e castanhas antes de cozinhar.

12. O conteúdo de biberões e frascos do bebê deve ser mexido ou agitado ea temperatura deve ser verificada antes de servir, a fim de evitar queimaduras..
13. Utensílios de cozinha pode ficar quente por causa do calor transferido da comida aquecida. Potholders pode ser necessário para lidar com o utensílio..
14. Utensílios devem ser verificados para assegurar que eles são adequados para utilização em forno de microondas
15. ATENÇÃO: É perigoso para qualquer pessoa que não seja uma pessoa treinada para realizar qualquer serviço ou operação de reparo que envolva a remoção de qualquer cobertura que dá proteção contra a exposição à energia das microondas.
16. Este produto é um grupo 2 Equipamento de Classe B ISM. A definição do Grupo 2, que contém todos ISM (industriais, científicas e médicas) equipamento no qual a energia de rádio-frequência é intencionalmente gerado e / ou utilizados na forma de radiação electromagnética, para o tratamento de material, equipamento e provocar erosão. Para equipamento de classe B é um equipamento adequado para uso em estabelecimentos nacionais e nos estabelecimentos diretamente conectados a uma rede de fornecimento de energia de baixa tensão que alimenta edifícios usados para fins domésticos.
17. Este aparelho não se destina a ser utilizado por pessoas (incluindo crianças) com capacidades físicas, sensoriais ou mentais, ou falta de experiência e conhecimento, a menos que tenham recebido supervisão ou instruções relativas à utilização do aparelho por uma pessoa responsável pela sua segurança.
18. T As crianças devem ser supervisionadas para garantir que elas não brinquem com o aparelho

MICROONDAS PRINCÍPIOS DE COZINHA

1. Organizar alimentos com cuidado. Coloque as áreas mais grossas para fora do prato.
2. Assista o tempo de cozimento. Cozinhe por mais curto espaço de tempo indicado e adicione mais se necessário. Alimentos severamente demais pode fumar ou inflamar.
3. Cobrir alimentos durante o cozimento. Covers evitar respingos e ajudar a cozinhar os alimentos uniformemente.
4. Vire os alimentos mais de uma vez durante o microondas para acelerar cozinha de alimentos como frango e hambúrgueres. Grandes itens como assados deve ser entregue pelo menos uma vez.
5. frango e hambúrgueres. Grandes itens como assados deve ser entregue pelo menos uma vez. Rearranjar alimentos tais como almôndegas meio da cozedura tanto de cima para baixo e de o centro do prato para o lado de fora

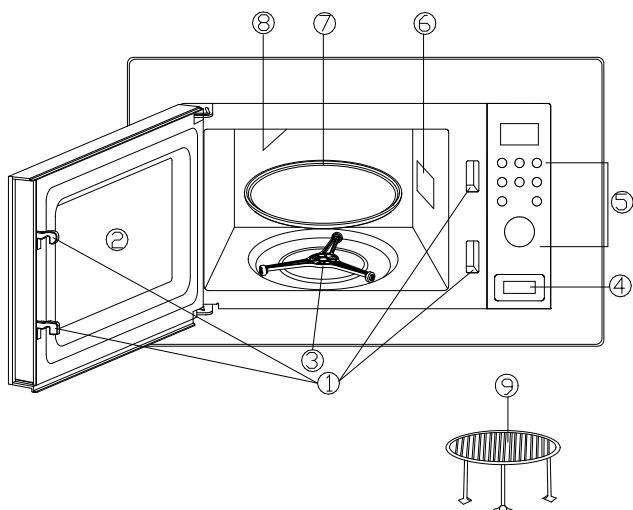
GUIA DE UTENSÍLIOS

1. O material ideal para um utensílio de microondas é transparente a micro-ondas, que permite que a energia passe através do recipiente e aquecer o alimento..
2. Microondas não pode atravessar o metal, assim utensílios metálicos ou pratos com guarnição metálica não deve ser usado.
3. Não use produtos de papel reciclado quando cozinhar no microondas, pois podem conter pequenos fragmentos de metal que podem causar faíscas e / ou incêndios.
4. Pratos redondo / oval, em vez de quadrado / oblongo queridos estão recomendar, como comida nos cantos tende a cozinhar demais.
5. Tiras estreitas de papel de alumínio podem ser utilizados para prevenir overcooking das áreas expostas. Mas tome cuidado para não usar muito e manter uma distância de 1 polegada (2,54 centímetros) entre folha e cavidade.

A lista abaixo é um guia geral para ajudar a selecionar os utensílios corretos

panelas	Microonda	MICRO+GRELHADOR	COMBINAÇÃO
Vidro resistente ao calor	Sim	Sim	Sim
Vidro não resistente ao calor	Não	Não	Não
Cerâmica resistente ao calor	Sim	Sim	Sim
Microondas prato de plástico	Sim	Não	Não
Papel de Cozinha	Sim	Não	Não
bandeja de metal	Não	Sim	Não
Metal Rack	Não	Sim	Não
Folha de Alumínio & Foil Container	Não	Sim	Não

NOMES DAS PEÇAS



1. Sistema de Segurança de Fecho da Porta
2. Janela do Forno
3. suporte giratório
4. Botão de Abertura da Porta
5. Painel de Controlo
6. Condutor de Onda
7. Bandeja de Vidro
8. Calefator de Grelhador
9. Placa de Confeção

COMO DEFINIR OS CONTROLOS DO MICRO-ONDAS

Tranca de segurança para crianças

Deve utilizar este comando para prevenir ações não supervisionadas por parte das crianças ou que estas usem o aparelho sem as explicações de um adulto. O indicador TRANCA PARA CRIANÇAS vai aparecer no ecrã display e o micro-ondas não pode ser manuseado enquanto este sinal estiver ligado.

Para ligar a Tranca de Segurança: pressione durante 3 segundos o botão Pausa/Cancelar, vai ouvir um sinal sonoro e vão acender-se luzes indicadoras.

Cancelar a Tranca de Segurança: pressione o botão Pausa/Cancelar durante 3 segundos até que o indicador da tranca de segurança se desligue.

DEFINIÇÃO DO RELÓGIO

Pode escolher ciclos de 12 ou 24 horas, pressionando o botão do relógio. Para verificar o tempo, pressione o botão relógio e o tempo vai aparecer no ecrã. Por exemplo: suponha que quer definir a hora do aparelho para as 8:30, proceda da seguinte forma:

- 1 – Pressione o botão Relógio
- 2 – Gire o botão Menu/Tempo para definir os números da hora para “08”
- 3 – Pressione o botão Relógio uma vez para confirmar a hora definida
- 4 – Gire o botão Menu/Tempo para definir os números dos minutos para “30”
- 5 – Pressione o botão Relógio uma vez para confirmar os minutos definidos.

Cozinhar com o micro-ondas

O tempo máximo de cozedura é de 95 minutos

Por exemplo, suponha que quer cozinhar durante 10 minutos a 60% da potência, proceda da seguinte forma:

- 1 – Pressione o botão de nível de potência o número de vezes necessário para chegar aos 60%

Pressione botão de nível de potência	Potência de cozedura
1 vez	100%
2 vezes	80%
3 vezes	60%
4 vezes	40%
5 vezes	20%
6 vezes	00%

2 – Gire o botão Menu/Tempo para 10:00

3 – Pressione o botão Início/Início rápido

Início rápido

O tempo máximo que pode definir são 10 minutos.

O micro-ondas vai cozinhar os alimentos rapidamente na potência máxima (definição de 100% de potência) num programa rápido. Apenas tem que pressionar o botão Início/Início rápido o número de vezes necessário para definir o tempo de cozedura, depois o aparelho vai começar a cozinhar na potência máxima.

Cozinhar com Grill

O tempo máximo de cozedura será de 95 minutos. A cozedura com grill é particularmente útil para pequenas peças de carne, salsichas, peças de frango, bifés. Também é usada para sandes quentes ou pratos gratinados.

Por exemplo, suponha que quer gratinar por 12 minutos, proceda da seguinte forma:

1 – Pressione o botão grill

2 - Gire o botão Menu/Tempo para 12:00

3 – Pressione o Início/Início Rápido

Combinado

O tempo máximo de cozedura será de 95 minutos.

Por exemplo, suponha que quer definir a combinação de cozedura 1 durante 25 minutos, proceda da seguinte forma:

1 – Pressione o botão Combi/Combinado até que mostre Combi1

2 – Gire o botão Menu/Tempo para 25:00

3 – Pressione o Início/Início Rápido

Descongelação pelo peso

O micro-ondas permite descongelar com base no peso dos alimentos colocados no seu interior. O tempo de descongelação e nível de potência são definidos automaticamente assim que a categoria de alimentos e peso estejam programados. O peso da comida congelada pode ir de 100 gr a 1800 gr.

Por exemplo, suponha que quer descongelar 600 gr de camarão, proceda da seguinte forma:

- 1 – Pressione o botão de Descongelção por Peso
- 2 – Pressione o botão de ajuste do peso para selecionar o peso da comida a ser descongelada
- 3 – Pressione o botão Início/Início Rápido

Nota: o micro-ondas pára durante o processo de descongelção para permitir que o utilizador vire os alimentos, depois deve pressionar novamente Início/Início Rápido para continuar a descongelção durante o tempo restante.

Programas pré-definidos

Por exemplo, suponha que a hora atual é 9:00 e quer que o micro-ondas inicie um programa de cozedura às 11:30, proceda da seguinte forma:

- 1 – Defina o programa de cozedura desejado
- 2 – Pressione o botão de programas pré-definidos uma vez
- 3 – Gire o botão Menu/Tempo para definir as horas para 11:00
- 4 – Pressione o botão de programas pré-definidos uma vez
- 5 – Gire o botão Menu/Tempo para definir os minutos até mostrar 11:30
- 6 – Pressione o botão de programas pré-definidos uma vez

Nota: antes de utilizar esta função, certifique-se de que a hora do forno está corretamente definida no relógio. No modo de programas pré-definidos, o tempo pré-definido pode ser visto pressionando o botão Pré-definidos, se pressionar Pausa/Cancelar quando o ecrã display mostra o tempo, a função será cancelada.

Programas automáticos

Para os seguintes alimentos ou modos de cozinhar, não necessita de definir potência ou tempo de cozedura. Transmita ao micro-ondas o que pretende cozinhar e qual o peso dos alimentos. O micro-ondas começará a trabalhar assim que pressione a tecla Início/Início Rápido.

Pode precisar de virar os alimentos a meio do processo de cozedura para obter um resultado uniforme.

Por exemplo:

- 1 – No modo de espera gire o botão Menu/Tempo no sentido contrário ao dos ponteiros do relógio para especificar o tipo de comida a cozinhar.
- 2 – Pressione o botão de ajuste do Peso da Comida o número de vezes necessário para definir o peso real dos alimentos
- 3 – Pressione o botão Início/Início rápido

Menu de programas automáticos

Código	Alimentos	
01	Leite, café (200 ml)	1 – Para leite, café e batatas, o ecrã vai mostrar o número de peças de comida e seu peso quando pressionar o botão de ajuste do peso.
02	Arroz (gr)	
03	Esparguete (gr)	2 – Para os alimentos 07, 08 e 09, o micro-ondas para durante a cozedura e ouve-se um sinal sonoro para lembrar o utilizador de que deve virar os alimentos para que fiquem cozinhados uniformemente.
04	Batatas (cada 230gr)	
05	Auto reaquecer (gr)	
06	Peixe (gr)	3 – O resultado dos programas de cozedura automática depende de fatores como a flutuação de voltagem, o formato e dimensão dos alimentos e peças de comida, o seu gosto pessoal, mais ou menos cozinhado. Se não obtiver resultados que lhe agradem plenamente, por favor ajuste um pouco o tempo de cozedura até acertar com as suas preferências.
07	Frango (gr)	
08	Borrego (gr)	
09	Espetadas (gr)	
		4 – Para esparguete, adicione água a ferver antes de cozinhar o alimento

LIMPEZA E CONSERVAÇÃO

1. Desligue o forno e retire o plugue da tomada antes de limpar
2. Manter o interior do forno limpo. Quando respingos de alimentos ou líquidos derramados aderir às paredes do forno, limpe com um pano húmido. Detergente suave pode ser utilizado se o forno fica muito sujo. Evite o uso de spray e outros produtos de limpeza fortes, pois podem manchar, raia ou maçar a superfície da porta.
3. As superfícies externas devem ser limpas com um pano húmido. Para evitar danos às partes que operam no interior do forno, a água não deve ser permitida a infiltrar-se nas aberturas de ventilação
4. Limpe a porta ea janela em ambos os lados, as juntas da porta e peças adjacentes, freqüentemente com um pano úmido para remover quaisquer derrames ou respingos. Não use produtos de limpeza abrasivos..
5. Não permita que o painel de controle para se molhar. Limpe com um pano macio e úmido. Ao limpar o painel de controle, deixe a porta do forno aberta para evitar forno de transformar acidentalmente..
6. Se o vapor se acumula dentro ou do lado de fora da porta do forno, limpe com um pano macio. Isso pode ocorrer quando o forno de microondas é operado sob condições de alta umidade. E é normal.
7. Vezes é necessário remover a bandeja de vidro para limpeza. Lave a bandeja com água morna com sabão ou na máquina.
8. O anel de rolo e chão do forno devem ser limpos regularmente para evitar o ruído excessivo. Basta limpar a superfície do fundo do forno com um detergente suave. O anel de rolo pode ser lavado em água com sabão neutro ou máquina de lavar louça. Ao remover o anel do rolo do assoalho da cavidade para a limpeza, certifique-se de substituir na posição correta..
9. Remover os odores do seu forno, combinando um copo de água com o suco ea pele de um limão em uma tigela profunda microondas, forno de microondas por 5 minutos. Limpe bem e seque com um pano macio
10. Quando se torna necessário substituir a luz do forno, por favor, consulte um concessionário para tê-los substituído.
11. O forno deve ser limpo regularmente e quaisquer depósitos de alimentos removido. Deixar de manter o forno em bom estado de limpeza pode levar à deterioração da superfície que poderia afetar negativamente a vida útil do aparelho e, possivelmente, resultar em uma situação perigosa.

12. Por favor, não coloque o aparelho para o caixote do lixo doméstico, que devem ser eliminados para o centro disposição especial fornecido pelos municípios.

13. Quando o microondas com função de grelhar é utilizado pela primeira vez, pode produzir algum fumo e odor. Este fenómeno é normal, devido ao facto de o forno ser constituído por uma placa de aço revestida por óleo lubrificante, e o forno novo irá produzir fumo e odor gerados pela combustão do óleo lubrificante. Este fenómeno irá desaparecer após um período de utilização

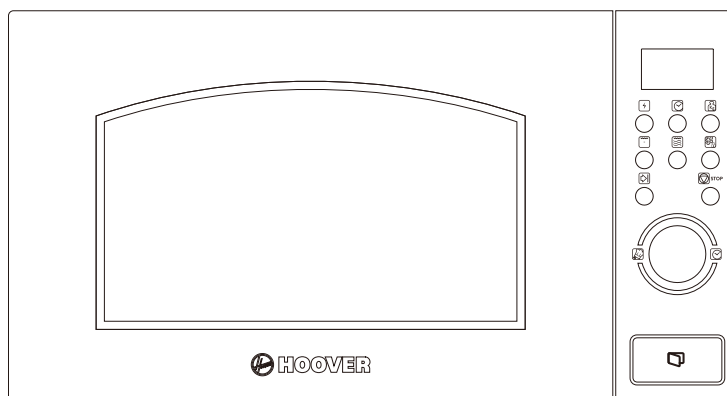


HOVER

MODEL: HMG20GDFWA
38900101

HMG20GDFC
38900102

MIKROVLNNÁ RÚRA S GRILOM



Mikrovlenná rúra Návod na obsluhu

Pred inštaláciou a použitím tejto mikrovlnnej rúry, si prosím pozorne prečítajte tento návod na obsluhu.

Do nižšie uvedeného priestoru si poznačte SÉRIOVÉ ČÍSLO, ktoré nájdete na typovom štítku na vašej rúre a odložte si tieto informácie pre budúce použitie.

SÉRIOVÉ ČÍSLO.

OPATRENIA NA OCHRANU PRED MIKROVLNNÝM ŽIARENÍM

1. Nepokúšajte sa uviesť rúru do prevádzky s otvorenými dvierkami, pretože otvorenie dvierok môže spôsobiť to, že sa vystavíte škodlivej mikrovlnnej energii. Je dôležité, aby ste nepoškodzovali ani nevyraďovali z prevádzky bezpečnostné prvky.
2. Medzi prednú stenu rúry a dvierka nekladajte žiadne predmety a nedovoľte, aby sa na tesniacich plochách nahromadili zvyšky nečistôt alebo čistiacich prvkov. Nepoužívajte rúru, ak je poškodená. Je mimoriadne dôležité, aby a dvierka rúry
3. zatvárali správne a či nie je žiadna škoda na
 - a. Dvierkach (ohnuté),
 - b. Závesoch a západkách (zlomené alebo uvoľnené),
 - c. Tesneniach dvierok a tesniacich plochách.
4. Táto rúra nesmie byť upravovaná ani opravovaná nikým iným, len kvalifikovaným servisným zamestnancom.

OBSAH

OPATRENIA NA OCHRANU PRED MIKROVLNNÝM ŽIARENÍM	1
SKÔR AKO ZAVOLÁTE SERVIS	2
INŠTALÁCIA.....	2
POKYNY K UZEMNENIU	2
RÁDIOVÉ RUŠENIE	3
DÔLEŽITÉ BEZPEČNOSTNÉ POKYNY.....	3
ZÁSADY MIKROVLNNÉHO OHREVVU	5
KUCHYNSKÝ RIAD	5
NÁZVY JEDNOTLIVÝCH ČASTÍ.....	7
OVLÁDACÍ PANEL	8
SPÔSOB NASTAVENIA OVLÁDAČOV RÚRY	9
ČISTENIE A ÚDRŽBA	12

SKÔR AKO ZAVOLÁTE SERVIS

V prípade, že rúra nefunguje:

1. Uistite sa, či je rúra pripojená do elektrickej zásuvky. Ak tomu tak nie je, vytiahnite zástrčku zo zásuvky, počkajte 10 sekúnd a opäť ju pevne pripojte.
2. Skontrolujte, či nie je vypálená poistka alebo vypnutý hlavný istič. Ak sú uvedené skutočnosti v poriadku, vyskúšajte elektrickú zásuvku pomocou iného spotrebiča.
3. Uistite sa, či je správne naprogramovaný ovládací panel a nastavený časovač.
4. Uistite sa, či sú dvierka bezpečne zatvorené so zapojením bezpečnostného systému dvierok. V opačnom prípade, nebude do rúry prúdiť mikrovlnná energia.

AK ŽIADEN Z VYŠŠIE UVEDENÝCH KROKOV NEVYRIEŠI SITUÁCIU, POTOM SA OBRÁŤTE NA KVALIFIKOVANÉHO TECHNIKA. NESNAŽTE SA NASTAVOVAŤ ALEBO OPRAVOVAŤ RÚRU SAMI.

INŠTALÁCIA

1. Uistite sa, či sú všetky obalové materiály vybraté z vnútorného priestoru rúry.
2. **VAROVANIE:** Skontrolujte, či na rúre nie sú žiadne škody, ako sú nevyrovnané alebo ohnuté dvierka, poškodené tesnenia dvierok a tesniaca plocha, zlomené alebo uvoľnené závesy dvierok a zámky a preliačiny vo vnútornom priestore rúry alebo na dvierkach. Ak existuje akékoľvek poškodenie, nepoužívajte rúru a obráťte sa na kvalifikovaného servisného zamestnanca.
3. Táto mikrovlnná rúra musí byť umiestnená na rovnom, stabilnom povrchu, ktorý udrží jej hmotnosť aj s vloženými potravinami, ktoré môžu byť pripravené v rúre.
4. Neumiestňujte rúru na miesto, kde je vytvárané teplo alebo vysoká vlhkosť, alebo v blízkosti horľavých materiálov.
5. Na zaistenie správneho fungovania, musí mať rúra dostatočný prietok vzduchu. Ponechajte 20 cm priestoru nad rúrou, 10 cm vzadu a 5 cm na oboch stranách rúry. Nezakrývajte ani neblokujte žiadne otvory na spotrebiči. Neodstraňujte nožičky rúry.
6. Nepoužívajte rúru bez skleneného taniera, otočného podstavca a hriadeľa v ich správnej polohe.
7. Uistite sa, či je napájací kábel nepoškodený a nie je vedený popod rúru alebo cez nejaké horúce alebo ostré plochy.
8. Elektrická zásuvka musí byť ľahko prístupná, tak aby ju bolo možné v prípade núdze ľahko odpojiť.
9. Nepoužívajte rúru vonku.

POKYNY K UZEMNENIU

Tento spotrebič musí byť uzemnený. Táto rúra je vybavená káblom, ktorý má uzemňovací vodič s uzemňovacou zástrčkou. Musí byť pripojený k správne nainštalovanej a uzemnenej elektrickej zásuvke. V prípade elektrického skratu, znižuje uzemnenie riziko úrazu elektrickým prúdom tým, že poskytne únikový vodič pre elektrický prúd. Odporúča sa zaistiť samostatný obvod slúžiaci len pre rúru. Použitie vysokého napätia je nebezpečné a môže viesť k vzniku požiaru alebo inému poškodeniu rúry.

VAROVANIE Nesprávne použitie uzemňovacej zástrčky môže viesť k riziku úrazu elektrickým prúdom.

Poznámka

1. Ak máte nejaké otázky týkajúce sa uzemnenia alebo pokynov k elektrickému pripojeniu, obráťte sa na kvalifikovaného elektrikára alebo servisného technika.
2. Výrobca ani predajca nemôže niesť žiadnu zodpovednosť za škody na rúre alebo poranenie vyplývajúce z nedodržania postupov pri elektrickom pripojení.

Vodiče v tomto kábli sú farebne odlíšené v súlade s nasledujúcim značením:

Zelený a žltý vodič = UZEMNENIE

Modrý vodič = NULÁK

Hnedý vodič = ŽIVÝ

RÁDIOVÉ RUŠENIE

Prevádzka mikrovlnnej rúry môže spôsobiť rušenie vášho rádia, TV alebo podobného zariadenia. Pokiaľ dochádza k rušeniu, môže byť znížené alebo odstránené dodržaním nasledujúcich opatrení:

1. Vyčistite dvierka a tesniaci povrch rúry.
2. Zmeňte orientáciu prijímacej antény rádia alebo televízora.
3. Premiestnite mikrovlnnú rúru s ohľadom na prijímač.
4. Premiestnite mikrovlnnú rúru ďalej od prijímača.
5. Pripojte mikrovlnnú rúru do inej zásuvky, aby bola mikrovlnná rúra a prijímač napájaná cez iný okruh.

DÔLEŽITÉ BEZPEČNOSTNÉ POKYNY

Pri používaní elektrických spotrebičov, je potrebné dodržiavať základné bezpečnostné opatrenia, vrátane nasledujúcich:

VAROVANIE: Na zníženie rizika popálenia, úrazu elektrickým prúdom, vzniku požiaru, poranenia osôb alebo vystavenia nadmernému pôsobeniu mikrovlnnej energie:

1. Pred používaním spotrebiča si prečítajte všetky pokyny.
2. Tento spotrebič používajte len na tie účely, na ktoré určený podľa tohto návodu na obsluhu. Nepoužívajte v tomto spotrebiči korozívne chemikálie alebo výpary. Tento typ rúry je špeciálne navrhnutý na ohrev, prípravu alebo sušenie potravín. Nie je určený na priemyselné alebo laboratórne účely.
3. Nepoužívajte rúru vtedy, ak je prázdna.
4. Nepoužívajte tento spotrebič, ak má poškodený napájací kábel alebo zástrčku, ak nefunguje správne alebo ak je poškodený alebo spadol. Ak je napájací kábel poškodený, musí byť vymenený výrobcom alebo jeho servisným technikom, či podobne kvalifikovanou osobou, aby sa predišlo možnému nebezpečenstvu.
5. Varovanie: Keď je spotrebič používaný v kombinovanom režime, deti by mali používať rúru len pod dohľadom dospelých osôb, z dôvodu vytváraných vysokých teplôt.
6. **VAROVANIE:** Deti bez dozoru môžu používať mikrovlnnú rúru len vtedy, ak im boli poskytnuté adekvátne pokyny tak, aby bolo dieťa schopné používať rúru bezpečným spôsobom a pochopilo nebezpečenstvo vyplývajúce z jej nesprávneho používania.
7. Aby sa znížilo riziko vzniku požiaru v priestore rúry:

- a. Pri ohrievaní potravín v platových alebo papierových nádobách, dozerajte na rúru z dôvodu možného vznietenia;
 - b. Odstráňte drôtky z papierových alebo platových obalov predtým, ako ich vložíte do rúry.
 - c. Ak spozorujete dym, vypnite alebo odpojte spotrebič a nechajte dvierka zatvorené, aby sa plamene udusili.
 - d. Nepoužívajte vnútorný priestor rúry na skladovacie účely. Nenechávajte papierové výrobky, kuchynské potreby alebo potraviny v priestore rúry vtedy, ak ju používate.
8. **VAROVANIE:** Tekutiny alebo iné potraviny nesmú byť ohrievané v uzavretých nádobách, pretože sú náchylné k explózií.
 9. Mikrovlnný ohrev nápojov môže viesť k oneskorenému varu, preto je potrebné venovať opatrnosť pri manipulácii s nádobkou.
 10. Nevypráňajte v rúre pokrmy. Horúci olej môže poškodiť časti rúry a riadu a dokonca viesť k popáleniu pokožky.
 11. Vajcia v škrupine a celé natvrdo uvarené vajcia by sa nemali ohrievať v mikrovlnných rúrach, pretože môžu explodovať aj po ukončení mikrovlnného ohrevu.
 12. Poprepichujte potraviny s pevnými šupkami, ako sú zemiaky, celé tekvice, jablká a gaštany skôr, ako ich budete variť.
 13. Obsah dojčenských fliaš a pohárov s detským pokrmom je potrebné premiešať alebo potriať a pred podávaním by mala byť skontrolovaná teplota, aby nedošlo k popáleniu.
 14. Kuchynské potreby sa môžu zahriať teplom prenášaným z ohrievaných potravín. Na manipuláciu s nádobami môže byť potrebné použiť kuchynskú chňapku.
 15. Riad vždy skontrolujte, aby ste uistili, či je vhodný pre použitie v mikrovlnnej rúre.
 16. **VAROVANIE:** Je nebezpečné pre kohokoľvek iného ako skúsenú osobu, vykonávať akékoľvek servisné alebo opravné práce, ktoré zahŕňajú zloženie akéhokoľvek krytu, ktorý poskytuje ochranu pred vystavením sa mikrovlnnej energii.
 17. Tento produkt je ISM zariadenie skupiny 2 triedy B. Definícia skupiny 2, ktorá obsahuje všetky ISM (priemyselné, vedecké a medicínske) zariadenia, v ktorých je zámerne vytváraná vysokofrekvenčná energia a/alebo je používaná vo forme elektromagnetického žiarenia pre zariadenie na ošetrovanie materiálu. V prípade zariadenia triedy B je zariadenie vhodné pre použitie v domácich podmienkach a v podmienkach priamo pripojených k sieti nízkeho napätia, ktorá napája budovy používané na domáce účely.
 18. Tento spotrebič nie je určený pre použitie osobami (vrátane detí) so zníženými fyzickými, zmyslovými alebo duševnými schopnosťami, alebo bez potrebných skúseností a znalostí, pokiaľ nie sú pod dohľadom alebo poučené ohľadom používania spotrebiča, osobou zodpovednou za ich bezpečnosť.
 19. Deti by mali byť pod dozorom, aby sa nehrali so spotrebičom.
 20. Mikrovlnná rúra je používaná len ako samostatne stojaci spotrebič.
 21. **VAROVANIE:** Neinštalujte rúru nad horný panel sporáku alebo na iné teplo produkujúce zariadenie. V opačnom prípade, by mohlo dôjsť k poškodeniu a zrušeniu platnosti záruky.
 22. Dostupné povrchy spotrebiča môžu byť v priebehu prevádzky horúce.
 23. Mikrovlnná rúra nesmie byť umiestnená v skrinke.
 24. Dvierka alebo vonkajší povrch sa môže v priebehu používania spotrebiča zohriať.
 25. Teplota prístupných povrchov môže byť v priebehu používania spotrebiča vysoká.
 26. Spotrebič by mal byť umiestnený proti stene.
 27. Spotrebič nesmie byť používaný deťmi alebo osobami so zníženými fyzickými, zmyslovými alebo duševnými schopnosťami, alebo bez potrebných skúseností a znalostí, pokiaľ nie sú pod dohľadom alebo nie sú poučené.
 28. Deti by mali byť pod dohľadom, aby sa nehrali so spotrebičom.
 29. **VAROVANIE:** Ak sú poškodené dvierka alebo tesnenie dvierok, rúra nesmie byť používaná, pokiaľ

nebude opravená kompetentnou osobou.

30. V pokynoch je uvedené, že spotrebiče nie sú určené na ovládanie pomocou externého časovača alebo samostatného systému diaľkového ovládača.
31. Mikrovlnná rúra je určená na použitie v domácnosti a nie na komerčné využitie.
32. Nikdy neodstraňujte vymedzovací držiak na zadnej strane alebo na bokoch, pretože zabezpečuje minimálnu vzdialenosť od steny na zaistenie cirkulácie vzduchu.
33. Pred premiestnením spotrebiča, prosím zaistíte otočný tanier, aby za zabránilo škodám.
34. Upozornenie: Je nebezpečné vykonávať opravy alebo údržbu zariadenia inými osobami, ako sú špecialisti, pretože za týchto okolností musí byť zložený kryt, ktorý zaisťuje ochranu pred mikrovlnným žiarením. To platí aj pre výmenu napájacieho kábla ako aj osvetlenia. V týchto prípadoch, odošlite spotrebič do nášho servisného strediska.
35. Mikrovlnná rúra je určená len na rozmrazovanie, prípravu a naparovanie potravín.
36. V prípade, že budete vyberať akýkoľvek zohriaty pokrm, použite rukavice.
37. Upozornenie! Pri otvorení veka alebo obalovej fólie, dôjde k úniku pary.
38. Tento spotrebič môže byť použitý deťmi staršími ako 8 rokov a osobami so zníženými fyzickými, zmyslovými alebo duševnými schopnosťami alebo bez potrebných skúseností a znalostí, ak sú pod dohľadom alebo boli poučené o bezpečnom používaní spotrebiča a rozumejú súvisiacim rizikám. Deti by sa nemali hrať so spotrebičom. Čistenie a používateľskú údržbu by nemali vykonávať deti, pokiaľ nie sú staršie ako 8 rokov a nie sú pod dohľadom.
39. Ak zo spotrebiča vychádza dym, vypnite alebo odpojte spotrebič a nechajte dvierka zatvorené, aby sa zadusili plamene.

ZÁSADY MIKROVLNNÉHO OHREVU

1. Usporiadajte potraviny opatrne. Najhrubšie časti umiestnite smerom von z misky.
 2. Sledujte čas prípravy. Pripravujte na najkratšom možnom čase a v prípade potreby pridajte ďalší. Vážne prevarený pokrm môže začať dymiť alebo sa môže vznietiť.
 3. Počas prípravy pokrmu, ho zakryte. Kryty zabránia postriekaniu a pomôžu rovnomerne pripraviť pokrm.
 4. Pokrm otočte viac ako raz v priebehu mikrovlnnej prípravy, na urýchlenie prípravy takých pokrmov, ako je kurča a hamburgery. Veľké kusy, ako sú pečienky, musia byť otočené minimálne jedenkrát.
- V polovici prípravy zmeňte usporiadanie pokrmov, ako sú mäsové guľky, zhora dole a od stredu nádoby k vonkajšiemu okraju.

KUCHYNSKÝ RIAD

1. Ideálny materiál pre mikrovlnné nádoby, je priehľadný materiál vhodný pre mikrovlnné rúry, ktorý umožňuje energii prechádzať cez nádoby a zohrievať potraviny.
2. Mikrovlny neprenikajú kovom, takže by ste nemali používať kovové nádoby alebo riad s kovovou obrubou.
3. Pri mikrovlnnom ohreve nepoužívajte výrobky z recyklovaného papiera, pretože môžu obsahovať

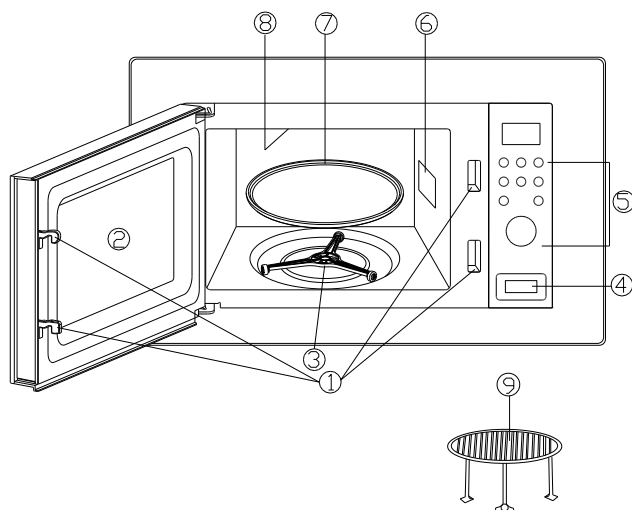
malé kovové úlomky, ktoré môžu spôsobiť iskrenie a/alebo vznik požiaru.

4. Odporúča sa použitie okrúhlych/oválnych nádob radšej ako štvorcových/podlhovastých nádob, pretože pokrm v rohoch má tendenciu sa prevariť.
5. Úzke pružky hliníkovej fólie môžu byť použité na zabránenie prevareniu odkrytých oblastí. Ale buďte opatrní, nepoužívajte veľké množstvo a udržiavajte vzdialenosť 2,54 cm medzi fóliou a vnútorným priestorom.

Nižšie uvedený zoznam je všeobecný sprievodca, ktorý vám pomôže zvoliť správny riad.

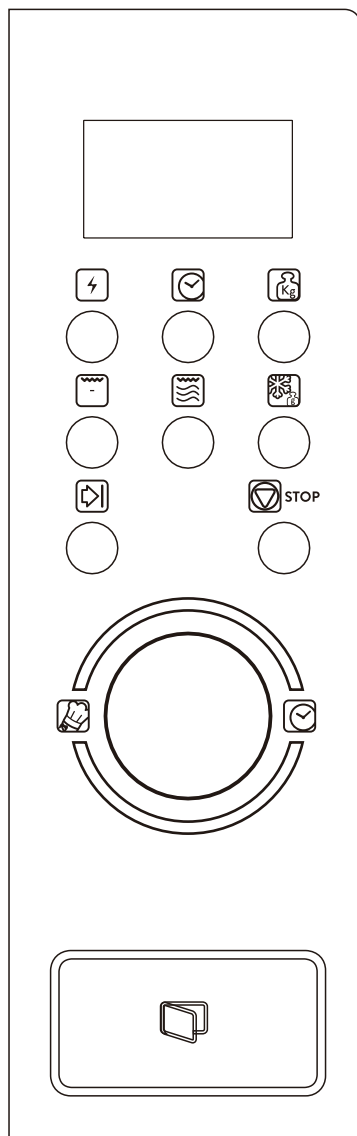
Riad	Mikrovlny	Gril	Kombinácia *
Žiaruvzdorné sklo	Áno	Áno	Áno
Nie žiaruvzdorné sklo	Nie	Nie	Nie
Žiaruvzdorná keramika	Áno	Áno	Áno
Plastová miska vhodná do mikrovlnnej rúry	Áno	Nie	Nie
Kuchynský papier	Áno	Nie	Nie
Kovový tanier	Nie	Áno	Nie
Kovový držiak	Nie	Áno	Nie
Hliníková fólia a nádoba z nej	Nie	Áno	Nie

NÁZVY JEDNOTLIVÝCH ČASTÍ



1. Systém bezpečnostného zatvárania dverok
2. Okienko do rúry
3. Otočný podstavec
4. Tlačidlo otvorenia dverok
5. Ovládací panel
6. Vlnovod (Neodstraňujte prosím sľudovú tabuľku zakrývajúcu vlnovod)
7. Sklenený tanier
8. Ohrievač grilu
9. Tanier na opečenie

OVLÁDACÍ PANEL



• DISPLEJ POUŽITIA MENU

Zobrazí sa čas prípravy, výkon, indikátory funkcií a čas.

• ÚROVEŇ VÝKONU

Niekoľkonásobným stláčaním tohto tlačidla nastavíte úroveň výkonu mikrovlnného varenia.

• HODINY

Stlačením tohto tlačidla nastavíte čas rúry.

• NASTAVENIE HMOTNOSTI

Stlačením tlačidla určíte hmotnosť pokrmu alebo počet porcií.

• GRILL

Stlačením tohto tlačidla nastavíte program grilovania.

• KOMBI.

Kombinovaná príprava s mikrovlnami a grilom.

• ROZMRAZOVANIE PODĽA HMOTNOSTI

Stlačením tlačidla nastavíte program rozmrazovania na základe zadanej hmotnosti.

• PREDVOĽBA

Stlačením tlačidla naprogramujete program varenia, ktorý sa sa spustí automaticky v stanovenom čase.

• POZASTAVIŤ/ZRUŠIŤ

Stlačením zrušíte nastavenie alebo vynulujete rúru pred nastavením programu prípravy.

Jedenkrát stlačte na dočasné zastavenie prípravy, alebo stlačte dvakrát na úplné zrušenie prípravy.

Tlačidlo taktiež slúži na nastavenie detskej poistky.

• MENU/ČAS (otočný ovládač)

Otočením ovládača zadajte čas.

Otočením ovládača zvolte menu automatickej prípravy.

• Štart/RÝCHLY ŠTART(MENU/ČAS)

Jedným stlačením spustíte program prípravy.

Jednoducho ho stlačte niekoľkokrát na nastavenie času prípravy a okamžité varenie na plnom výkone.

SPÔSOB NASTAVENIA OVLÁDAČOV RÚRY

DETSKÁ POISTKA

Táto funkcia slúži na zabránenie nechcenému používaniu rúry malými deťmi. Na displeji sa zobrazí indikátor DETSKEJ POISTKY a rúru nebude možné používať, pokiaľ je nastavená DETSKÁ POISTKA.

Nastavenie DETSKEJ POISTKY: Stlačte a podržte tlačidlo POZASTAVIŤ/ZRUŠIŤ na 3 sekundy, zaznie zvuková signalizácia a rozsvieti sa indikátor poistky.

ZRUŠENIE DETSKEJ POISTKY: Stlačte a podržte tlačidlo POZASTAVIŤ/ZRUŠIŤ na 3 sekundy dovtedy, pokiaľ nezhasne indikátor poistky na displeji...

NASTAVENIE ČASU

Ide o hodiny s 12 alebo 24 hodinovým zobrazením času a zvoliť ho môžete stlačením tlačidla HODINY. Na kontrolu času, stlačte tlačidlo HODINY, následne sa na displeji na chvíľku zobrazí čas. **NAPRÍKLAD:** Predpokladajme, že chcete nastaviť čas na rúre na 8:30.

1. Stlačte tlačidlo HODINY.
2. Otočením ovládača MENU/ČAS nastavte hodnotu hodín „08“.
3. Jedným stlačením tlačidla HODINY potvrdte nastavenie hodiny.
4. Otočením ovládača MENU/ČAS nastavte hodnotu minút „30“.
5. Jedným stlačením tlačidla HODINY potvrdte nastavenie

MIKROVLNNÉ VARENIE

Najdlhší čas varenia je 95 minút.

Predpokladajme napríklad, že chcete variť v priebehu 10 minút na 60% mikrovlnného výkonu.

1. Niekoľkonásobným stláčaním tlačidla ÚROVEŇ VÝKONU nastavte 60%.

Stlačte tlačidlo ÚROVEŇ VÝKONU	2. VÝKON VARENIA
3. jedenkrát	4. 100%
5. dvakrát	6. 80%
7. trikrát	8. 60%
9. štyrikrát	10. 40%
11. päťkrát	12. 20%
13. šesťkrát	14. 00%

2. Otočte ovládač MENU/ČAS na 10:00.
3. Stlačte tlačidlo ŠTART/RÝCHLY ŠTART

RÝCHLY ŠTART

Maximálny čas varenia, ktorý môžete zadať, je 10 minút.

Rúra bude pripravovať pokrm rýchlo pri VYSOKOM výkone (100% výkon) pre program rýchleho spustenia varenia. Stačí niekoľkokrát stlačiť tlačidlo ŠTART/RÝCHLY ŠTART na nastavenie času varenia, rúra začne fungovať ihneď na plný výkon.

GRILOVANIE

Najdlhší čas prípravy je 95 minút. Grilovanie je obzvlášť vhodné pri tenkých plátkoch mäsa, steakoch, kotletách, kebaboch, klobáskach alebo kúskoch kurčaťa. Taktiež je vhodné pre horúce sendviče a gratinované pokrmy.

Predpokladajme napríklad, že chcete grilovať 12 minút.

1. Stlačte tlačidlo GRIL.
2. Otočte ovládač MENU/ČAS na 12:00.
3. Stlačte ŠTART/RÝCHLY ŠTART.

KOMBINOVANÁ PRÍPRAVA

Najdlhší čas prípravy je 95 minút.

NAPRÍKLAD: Predpokladajme, že chcete nastaviť kombináciu 1 varenia na 25 minút.

1. Stlačte tlačidlo KOMBI. na zobrazenie COMBI1.
2. Otočte ovládač MENU/ČAS na 25:00.
3. Stlačte ŠTART/RÝCHLY ŠTART.

ROZMRAZOVANIE PODĽA HMOTNOSTI

Táto rúra umožňuje rozmrazovať pokrmy na základe hmotnosti zadanej používateľom. Čas rozmrazovania a úroveň výkonu je nastavená automaticky, po naprogramovaní kategórie pokrmu a jeho hmotnosti. Hmotnosť mrazeného pokrmu sa pohybuje v rozsahu od 100 g do 1800 g.

NAPRÍKLAD: Predpokladajme, že chcete rozmraziť 600 g kreviet.

1. Stlačte tlačidlo ROZMRAZOVANIE PODĽA HMOTNOSTI.
2. Stlačením tlačidla NASTAVENIE HMOTNOSTI zvolte hmotnosť pokrmu, ktorý má byť rozmrazený.
3. Stlačte ŠTART/RÝCHLY ŠTART.

POZNÁMKA: Rúra sa zastaví v priebehu rozmrazovania, aby mohol používateľ otočiť pokrm pre rovnomerné rozmrazenie a potom stlačte ŠTART/RÝCHLY ŠTART pre rozmrazovanie v zostávajúcom čase.

FUNKCIA PREDVOLBY

Napríklad: Predpokladajme, že momentálne je 9:00 a budete chcieť spustiť program prípravy na rúre o 11:30.

1. Zadajte požadovaný program prípravy.
2. Jedenkrát stlačte tlačidlo PREDVOLBA.
3. Otočením ovládača MENU/ČAS nastavte údaj hodín 11:00.

4. Jedenkrát stlačte tlačidlo PREDVOLĽBA.

5. Otočením ovládača MENU/ČAS nastavte údaj minút, pre zobrazenie 11:30.

6. Jedenkrát stlačte tlačidlo PREDVOLĽBA.

POZNÁMKA: Pred použitím tejto funkcie sa uistite, či je čas na rúre nastavený správne. V režime predvoľby, je možné zobraziť prednastavený čas stlačením tlačidla PREDVOLĽBA, ak stlačíte tlačidlo POZASTAVIŤ/ZRUŠIŤ keď je na displeji zobrazený čas, funkcia sa zruší

AUTOMATICKÁ PRÍPRAVA POKRMU

Pri nasledujúcich pokrmoch alebo režimoch prípravy, nemusíte zadávať výkon a čas prípravy. Sústreďte sa na to, čo chcete pripravovať a aká je hmotnosť potravín. Rúra začne pracovať potom, ako stlačíte tlačidlo ŠTART/RÝCHLY ŠTART.

Možno bude potrebné otočiť pokrm v polovici času prípravy, aby ste dosiahli rovnomerné varenie. Napríklad:

1. V režime čakania, otočte ovládač MENU/ČAS proti smeru hodinových ručičiek na výber kódu pokrmu, čo pomáha určiť pokrm, ktorý má byť pripravovaný.
2. Niekoľkokrát stlačte tlačidlo NASTAVENIE HMOTNOSTI na zobrazenie požadovanej hmotnosti.
3. Stlačte tlačidlo ŠTART/RÝCHLY ŠTART.

Menu automatickej prípravy

Kód	Pokrm	
01	Mlieko/Káva (200 ml/šálka)	<ol style="list-style-type: none">1. V prípade mlieka/kávy a zemiakov, sa na displeji zobrazí počet porcií, namiesto hmotnosti pokrmu, ak stlačíte tlačidlo NASTAVENIE HMOTNOSTI.2. Pri položke 07, 08, 09 v zozname, sa rúra zastaví v priebehu prípravy a zvukovou signalizáciou vám pripomenie, aby ste otvorili dvierka a otočili pokrm je rovnomernú prípravu.3. Výsledok automatickej prípravy pokrmu závisí od faktorov, ako je fluktuácia napätia, tvar a veľkosť pokrmu, vaše vlastné požiadavky, pokiaľ ide o dokončenie určitých pokrmov a dokonca aj od toho, ako ste umiestnili pokrmu v rúre. Ak zistíte, že výsledok nie je celkom uspokojivý, upravte prosím podľa toho mierne čas prípravy.4. V prípade špagiet, pridajte vriacu vodu pred začiatkom prípravy.
02	Ryža (g)	
03	Špagety (g)	
04	Zemiaky (každý 230 g)	
05	Automatický ohrev (g)	
06	Ryby (g)	
07	Kurča (g)	
08	Hovädzina/Baranina (g)	
09	Mäso na ražni (g)	

ČISTENIE A ÚDRŽBA

1. Pred čistením, vypnite rúru a odpojte zástrčku z elektrickej zásuvky.
2. Udržiavajte vnútorný priestor rúry čistý. Ak sú steny rúry postriekané šŕavami z pokrmov a tekutín, vyutierajte ich vlhkou handričkou. V prípade, že je rúra veľmi znečistená, môžete použiť jemný čistiaci prostriedok. Vyhnite sa používaniu spreja a iných drsných čistiacich prostriedkov, pretože tie by mohli zanechať škvrny, šmuhy alebo zmatniť povrch dvierok.
3. Vonkajšie povrchy rúry by mali byť čistené vlhkou handričkou. Aby nedošlo k poškodeniu funkčných častí vo vnútri rúry, nemala by sa do vetracích otvorov dostať voda.
4. Pravidelne utrite dvierka a priezor na dvierkach z oboch strán, tesnenie dvierok a príľahlé časti pomocou vlhkej handričky, aby ste odstránili prípadné škvrny alebo kvapky. Nepoužívajte abrazívne čistiace prostriedky.
5. Pravidelne utrite dvierka a priezor na dvierkach z oboch strán, tesnenie dvierok a príľahlé časti pomocou vlhkej handričky, aby ste odstránili prípadné škvrny alebo kvapky. Nepoužívajte abrazívne čistiace prostriedky.
6. Ak sa para nahromadí vo vnútri alebo okolo vonkajšej časti dvierok, utrite ju mäkkou utierkou. Táto situácia môže nastať vtedy, ak je mikrovlnná rúra používaná v podmienkach s vysokou vlhkosťou. A to je normálne.
7. Občas je potrebné vybrať sklenený tanier na jeho vyčistenie. Umyte tento tanier v teplej mydlovej vode alebo v umývačke riadu.
8. Otočný podstavec a dno rúry by malo byť čistené pravidelne, aby ste zabránili nadmernému huku. Stačí utrieť povrch dna rúry jemným čistiacim prostriedkom. Otočný podstavec je možné umyť v miernom roztoku vody a čistiaceho prostriedku alebo v umývačke riadu. Keď vyberiete otočný podstavec z vnútorného priestoru rúry pre jeho čistenie, nezabudnite ho potom vrátiť späť do jeho pôvodnej polohy.
9. Zápach z rúry odstránite tak, že zmiešate šálku vody so šŕavou a kôrou jedného citróna v hlbkej miske vhodnej do mikrovlnnej rúry a zohrejete na 5 minút. Dôkladne vyutierajte a vysušte pomocou mäkkej utierky.
10. Ak je potrebné vymeniť svetlo v rúre, obráťte sa prosím na predajcu, aby vykonal túto výmenu.
11. Rúru je potrebné pravidelne čistiť a odstraňovať všetky zvyšky potravín. Pri nedodržiavaní čistoty v rúre, môže dôjsť k poškodeniu povrchu, čo by mohlo nepriaznivo ovplyvniť životnosť spotrebiča a prípadne viesť k nebezpečným situáciám.
12. Nelikvidujte prosím tento spotrebič v bežnom komunálnom odpade, ale odneste ho na likvidáciu do určeného recyklačného strediska, stanoveného miestnym zastupiteľstvom.
13. Pri prvom použití mikrovlnnej rúry s funkciou grilu, môže dochádzať k vzniku mierneho dymu a zápachu. Ide o normálny jav, pretože rúra je vyrobená z oceľového plechu potiahnutého mazacím olejom a pri novej rúre bude dochádzať k výparom a zápachom spôsobeným spaľovaním mazacieho oleja. Tento jav zmizne po určitom čase použitia.