



FIELDMANN[®]
Home & Garden Performance

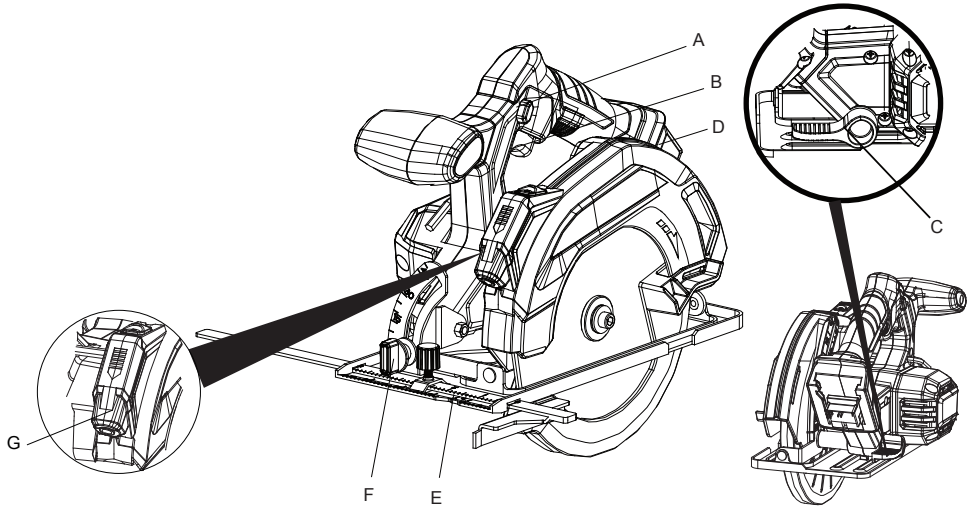
20V Li-Ion
FASTPOWER



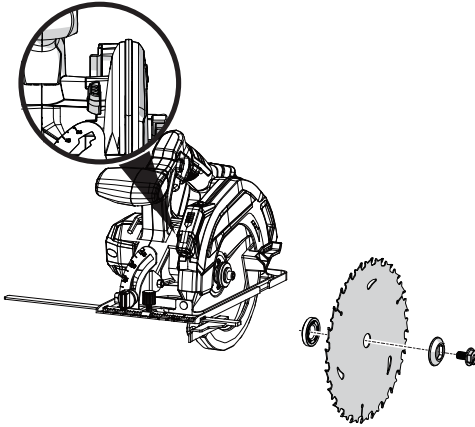
FDUK 70305-0

English	7-24
Čeština.....	25-42
Slovenčina	43-60
Magyarul	61-78
Polski	79-96

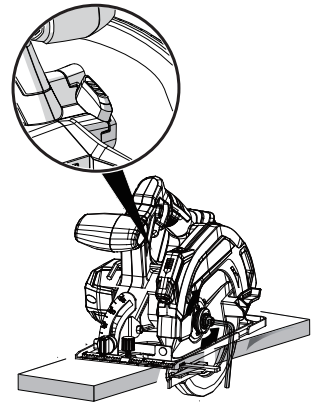
Cordless circular saw



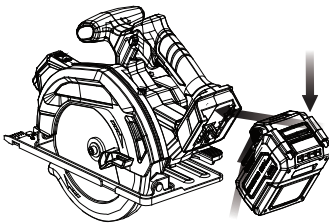
1



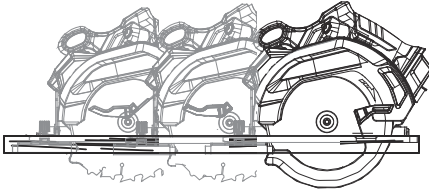
2



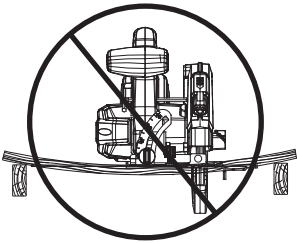
3



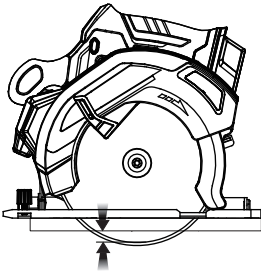
4



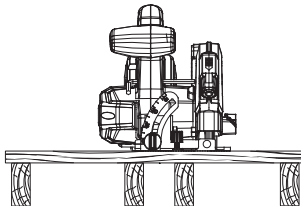
5



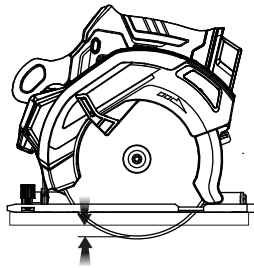
6



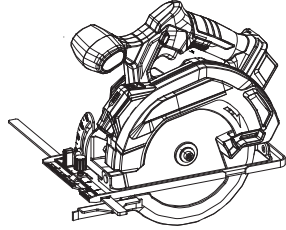
7



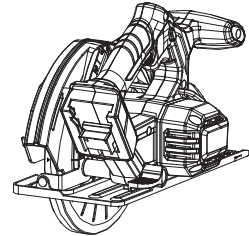
8



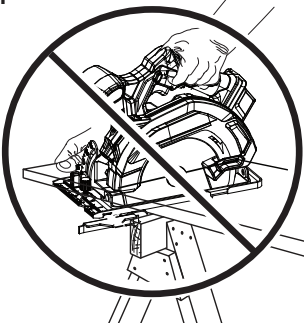
9



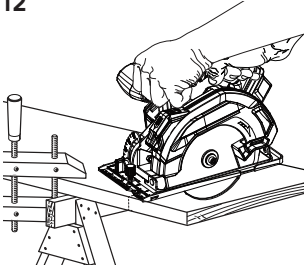
10



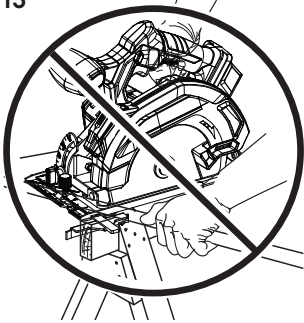
11



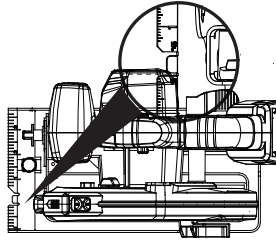
12



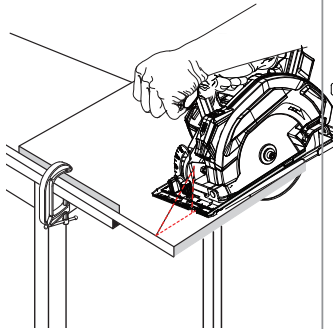
13



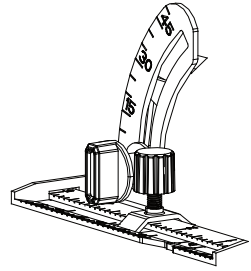
14



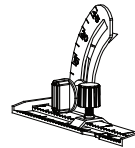
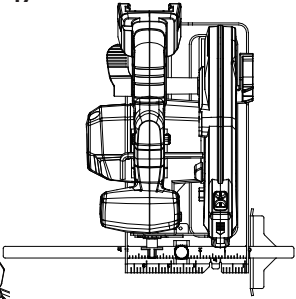
15

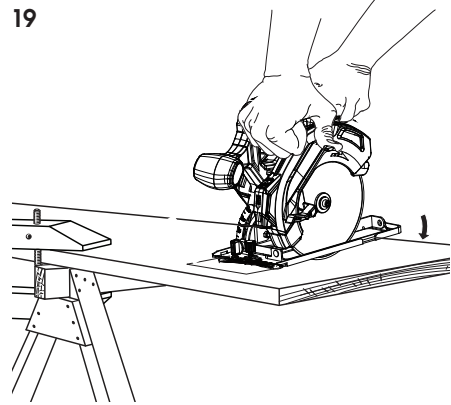
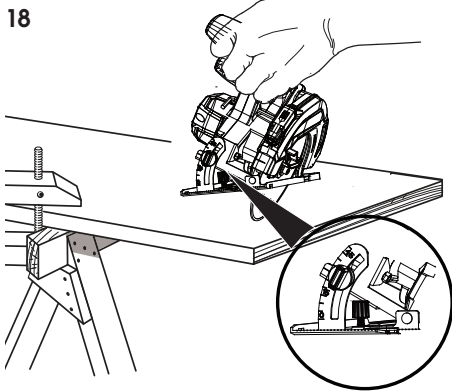


16



17





Cordless Circular Saw

USER'S MANUAL

Thank you for purchasing this Cordless Circular Saw FIELDMANN. Before you start using it, please carefully read this user's manual and save it for possible future use.

TABLE OF CONTENTS




1. SAFETY INSTRUCTIONS.....	8
2. SYMBOLS.....	9
3. MACHINE DESCRIPTION AND ITEMS DELIVERED	10
4. GENERAL SAFETY INSTRUCTIONS	11
5. SPECIFIC SAFETY INSTRUCTIONS.....	13
6. HEARING PROTECTION	14
7. OPERATION	14
8. ASSEMBLY	19
9. ADJUSTMENTS	20
10. MACHINE CARE	20
11. WARRANTY	21
12. TECHNICAL DATA	22
13. TROUBLESHOOTING	22
14. DISPOSAL.....	23

1. SAFETY INSTRUCTIONS

WARNING!

Carefully read the instruction manual before use.

Important safety warnings


-  Unpack the product carefully and be sure not to throw away any part of the package before having found all components of the product.
-  Keep the product in a dry place out of reach of children.
-  Read all cautions and instructions. The failure to adhere to warning cautions and instructions may result in an accident, fire and/or a serious injury.

Packaging

The product is placed in a package preventing damage during transport. This package is a raw material therefore it can be handed-over for recycling.

Instructions for use

Before beginning to work with the machine, read the following safety rules and instructions for use. Familiarize with operating elements and the proper use of the device. Keep the manual in a safe place for future reference. We recommend keeping the original package including the inner packaging materials, cash voucher and guarantee card for a period of warranty at minimum. For a case of transportation, pack the machine into the original box from the manufacturer, thus ensuring a maximum protection of the product during a possible transport (e.g. moving or sending into a service station).

 **Note:** If you hand the machine over to next persons, hand it over together with the manual. Adherence to the attached instructions for use is a precondition for the proper use of the machine. The operation manual includes also instructions for operation, maintenance and repairs.

The manufacturer does not take any responsibility for accidents or damages resulting from the failure to adhere to this manual.

Intended use

The jigsaw is intended to be used only by adults who have read and understood the instructions and warnings in this manual, and can be considered responsible for their actions.

With appropriate blades fitted, the product is designed to cut wood, plastic, drywall, and metal up to the depth described in the specification table.

The product is designed for handheld use. The product is not to be mounted onto a workbench unless specific instructions about how to do this are given by the manufacturer of the product.

Do not use the product for any other purpose. Use of the product for operations different from intended could result in a hazardous situation.

2. SYMBOLS



The product complies with the applicable standards and regulations.



Read the Instruction Manual attentively prior to use.



Use eyes protective equipment



Use ears protective equipment



AC laser: danger of injury – do not stare into beam

3. MACHINE DESCRIPTION AND ITEMS DELIVERED

Machine description (see page 3)

- A. Lock-off button
- B. Switch trigger
- C. Blade wrench storage
- D. Area depth lock lever
- E. Width of cut scale
- F. Bevel lock knob
- G. Worklight

Items delivered

Remove all contents from the box and inspect to ensure no damage was incurred during shipping, and that the items listed below are included.

- Circular saw
- Parallel edge guide
- 1 pc of circular saw blade
- Warranty card
- Instruction Manual

Should the components be missing or damaged, contact the dealer of the machine.

4. GENERAL SAFETY INSTRUCTIONS

Please read these safety instructions carefully, remember them and keep them in a safe place

⚠ WARNING! When using electric machinery and power tools, it is important to abide by and adhere to the following safety instructions for reasons of protection against injury caused by electric current, injury of persons and risk of starting fires. The term "power tools" used in the instructions below refers to power tools that are plugged into a power supply (by a power cord) as well as tools running on a battery pack (cordless). Keep all warnings and instructions for further use.

Work environment

- ✿ Keep the work area clean and well lit. Untidiness and dark places on the job site are usually causes of accidents. Store tools that are not used.
- ✿ Do not use power tools in an environment where there is risk of starting a fire or explosion; this refers to places where there are flammable liquids, gases or dust. Sparks form on the power tool's commutator, which can cause dust or fume ignition.
- ✿ When using power tools, unauthorized persons, especially children, should be denied entry to the job site! In case you are interrupted, you can lose control of the current activity. In any case, do not leave the power tool without supervision. Prevent animals from approaching the equipment.

Electrical safety

- ✿ The power tool's power plug must correspond to the power outlet. Never alter the plug in any way. If the tool's plug has a safety peg, never use an adapter of any kind. Undamaged plugs and corresponding outlets prevent the risk of injury by electric current. If the power cord is damaged, it must be replaced by a new power cord that can be obtained from an authorized service centre or the importer.
- ✿ Avoid bodily contact with grounded items, e.g. piping, radiators, kitchen ranges and refrigerators. The risk of injury by electric current is greater if your body is connected to the ground.
- ✿ Do not expose power tools to rain, moisture or dampness. Never touch power tools with wet hands. Never wash power tools with running water and never submerge them into water.
- ✿ Do not use the power cord for any other purpose than originally intended. Never carry or pull the power tools by the power cord. Do not pull the plug out of the outlet by pulling on the cord. Avoid mechanical damage to the power cord by sharp or hot objects.
- ✿ Power tools were manufactured exclusively for the AC power supply. Always check if the electrical voltage corresponds to the data printed on the tool's serial number label.
- ✿ Never work with a tool that has a damaged power cord or plug, or that has fallen on the ground and is damaged in any way.
- ✿ In the case of using an extension cord, always check that its technical parameters correspond to the data printed on the tool's serial number label.
- ✿ If the power tool is used outdoors, use an extension cord that is appropriate for exterior use. When using an extension cable drum, the cord must be unwound to prevent the cord from overheating. If the power tool is used in moist areas or outdoors, it is permitted to use it only if it is plugged into an electric circuit with a residual current device ≤ 30 mA. Using a circuit with an RCD lowers the risk of injury by electric current.
- ✿ Grasp hand power tools at the designated isolated grip areas because, during operation, one may come into contact with the cutting or drilling fittings with a hidden conductor or with the power cord.

Personal safety

- ✿ When using a power tool, be careful and alert, pay special attention to the activity you are doing. Concentrate on your work. Do not work with power tools if you are tired or if you are under the influence of drugs, alcohol or medication. When using power tools, even a momentary lapse in attentiveness can lead to severe personal injury. Do not eat, drink or smoke while working with power tools.
- ✿ Use protective gear. Always use eye protection. Use protective gear corresponding to the type of work you are doing. Protective gear such as respirators, safety shoes with antiskid treatment, head protection or ear protection, used in accordance with working conditions, lower the risk of personal injury.
- ✿ Avoid unintentional operation of tools. Do not carry tools that are plugged into the electric grid with your finger on the switch or release trigger.
- ✿ Before connecting the tool to a power supply, make sure that the switch or release trigger are in the "off" position. Carrying tools with your finger on the switch or plugging the tool into an outlet with the switch in the "on" position can cause serious injury. Before turning tools on, remove all adjustment wrenches and tools. The adjustment wrench or tool that stays connected to the rotating part of the power tool can cause personal injury.
- ✿ Always stand firmly and keep your balance. Work only in places that you can reach safely. Never overestimate your own strength. Do not use power tools if you are tired.
- ✿ Dress appropriately. Use working clothes. Do not wear loose clothing or jewellery. Make sure that your hair, clothing, gloves or other body parts do not come overly close to rotating or heated parts of the power tool.
- ✿ Connect the equipment to the dust exhaust. If the tool offers the possibility to connect equipment for capturing dust or dust suction, make sure that it is properly connected and used. Using this equipment can reduce danger resulting from dust.
- ✿ Firmly fasten the workpiece. Use a carpenter's clamp or vice to secure the piece you will be cutting.
- ✿ Do not use power tools if you are under the influence of alcohol, drugs, medication or other narcotics or addictive substances.
- ✿ This equipment is not intended to be used by persons with limited physical, sensory or mental abilities (including children) or persons with insufficient experience and knowledge, unless they are supervised or received instructions to use the equipment from a person responsible for his/her safety. Children must be supervised in order to ensure that they are not playing with the equipment.

Using power tools and their maintenance

- ✿ Always disconnect the power tool from the electric grid if there is any problem during work, before every cleaning or maintenance, during every shift and after finishing work! Never work with power tools if they are damaged in any way. If the tool starts emitting abnormal noises or odours, immediately stop working.
- ✿ Do not overload power tools. The power tool will function better and more safely if it operates at speeds for which it was designed. Use correct tools that are designated for the given activity. The correct tool works better and more safely.
- ✿ Do not use power tools that cannot be turned on safely and cannot be turned on and off with a control switch. Using this type of tool is dangerous. Faulty switches must be repaired at a certified service centre.
- ✿ Disconnect the tool from the power supply before you start setting, changing accessories or maintenance. This measure will prevent the risk of accidental start-up.
- ✿ Store unused power tools so that they are out of the reach of children and unauthorized persons. Power tools in the hands of inexperienced users can be dangerous. Store power tools in a dry and safe place. Keep power tools in good condition. Regularly check the setting of moving parts and their movability. Check if the protective cover or other parts that can limit the safe functioning of the power tool are not damaged. If the

tool is damaged, ensure its proper repair before the next use. Many injuries are caused by poorly maintained power tools.

- ✿ Keep cutting tools sharp and clean. Properly maintained and sharpened tools make work easier, limit the risk of injury and work with them is much more easily controlled. Using other accessories than those listed in the instruction manual can cause damage to the tool and can cause injury.
- ✿ Use power tools, accessories, work tools, etc. in accordance with these instructions and in a way that is described for the specific power tool and with regard to the given working conditions and the type of job.
- ✿ Using tools for other purposes than those intended can lead to dangerous situations.

Using cordless tools

- ✿ Before inserting the battery, make sure that the switch is in the "O-off" position. Inserting the battery into a running tool can cause dangerous situations.
- ✿ To charge the battery, only use chargers that are specified by the manufacturer. Using a charger for a different kind of battery can cause damage to the battery and result in fire.
- ✿ Only use batteries that are designated for the given tool. Using other batteries can cause injury or result in fire.
- ✿ If the battery is not used, store it away from metal objects such as clamps, wrenches, screws and other small metal objects that could cause the connection of one battery contact with the other. Short-circuiting the battery can cause injury, burns or fire.
- ✿ Handle batteries with care. In the case of improper care, chemical substances can leak from the battery. Avoid coming into contact with this substance and if you do come into contact with it, rinse the affected area under running water. If the chemical substance comes into contact with the eye, immediately seek out medical attention. The chemical substance from the battery can cause serious injury.

Service

- ✿ Do not change parts of the tool, do not perform repairs on your own and do not interfere with the tool's construction in any way. Leave tool repairs to qualified persons.
- ✿ Each repair or product modification performed without our company's permission is inadmissible (it can cause injury or harm to the user).
- ✿ Always leave tools to be repaired in a certified service centre. Use only original or recommended spare parts. This will ensure your and your tool's safety.

5. SPECIFIC SAFETY INSTRUCTIONS

⚠ WARNING! Before use, please read these safety instructions and store them with care.

- ✿ Please ensure that the voltage of the mains power supply corresponds to the value stated on the type plate. The tool is equipped with a two-pole lead and plug!
- ✿ Wear safety glasses and a face or dust mask if the cutting or drilling operation is dusty. When using the tool for extended periods, or where the noise level is high, use adequate hearing protection.
- ✿ If devices are provided for the connection of dust extraction and collection facilities, ensure these are connected and properly used. Always empty the dust collection bag when full.
- ✿ Use clamps or a vice to hold the work piece. It is safer than using your hand and frees both hands to operate the tool.
- ✿ Ensure the power cord is arranged so that it cannot be tripped over, stepped on or have heavy weights rested on it; and make sure that the cord will not be subjected to any damage.

- ✿ A risk of injury exists in the case that instructions in this manual are not followed. The jigsaw complies with valid technical regulations and norms.
- ✿ When working with the jigsaw, the protective cover must always be pushed down.
- ✿ Regularly check both screws on the clamp of the saw blade.
- ✿ Do not use damaged or worn saw blades.
- ✿ Regularly check the setting of the guide pulley.
- ✿ Do not turn the saw on if the saw blade slid into the workpiece.
- ✿ Never overload the saw so much that the engine ceases.
- ✿ Never try to stop the movement of the saw blade, even when the engine is turned off.
- ✿ The saw blade itself is removed very quickly. The blade's teeth are very sharp.
- ✿ Never aim the saw at another person.
- ✿ Use protective gear against noise, dust and vibrations!!!

⚠ WARNING! Keep these safety instructions!!!

6. HEARING PROTECTION

⚠ WARNING! In case the sound pressure level exceeds the value of 90.2 dB(A), wear adequate hearing protection to avoid damage to your hearing!

7. OPERATION

⚠ WARNING! Do not allow familiarity with products to make you careless. Remember that a careless fraction of a second is sufficient to inflict serious injury.

⚠ WARNING! Always wear eye protection with side shields marked to comply with ANSI Z87.1. Failure to do so could result in objects being thrown into your eyes resulting in possible serious injury.

⚠ WARNING! Do not use any attachments or accessories not recommended by the manufacturer of this product. The use of attachments or accessories not recommended can result in serious personal injury.

⚠ WARNING! Never use abrasive cut-off wheels of any kind with this saw. Use of non wood cutting blades can result in property damage or serious personal injury.

APPLICATIONS

You may use this product for the purposes listed below:

- ✿ Cutting all types of wood products (lumber, plywood, paneling, composition board, and hard wood)

INSTALLING/REMOVING BATTERY PACK

See Figure 3, page 3.

- ✿ Insert the battery pack into the product as shown.
- ✿ Make sure the latches on each side of the battery pack snap in place and that battery pack is secured in the product before beginning operation.
- ✿ Depress the latches to remove the battery pack.

For complete charging instructions, see the operator's manuals for your battery pack and charger.

⚠ WARNING! Battery tools are always in operating condition. Therefore, switch should always be locked when not in use or carrying at your side.

KICKBACK

See Figures 4 - 7, page 4.

Kickback occurs when the blade stalls rapidly and the saw is driven back towards you. Blade stalling is caused by any action which pinches the blade in the wood.

⚠ DANGER! Release switch immediately if blade binds or saw stalls. Kickback could cause you to lose control of the saw. Loss of control can lead to serious injury.

To guard against kickback, avoid dangerous practices such as the following:

- ✿ Setting blade depth incorrectly.
- ✿ Sawing into knots or nails in work piece.
- ✿ Twisting the blade while making a cut.
- ✿ Making a cut with a dull, gummed up, or improperly set blade.
- ✿ Supporting the work piece incorrectly.
- ✿ Forcing a cut.
- ✿ Cutting warped or wet lumber.
- ✿ Operating the tool incorrectly or misusing the tool.

To lessen the chance of kickback, follow these safety practices:

- ✿ Keep the blade at the correct depth setting. The depth setting should not exceed 1/4 in. below the material being cut.
- ✿ Inspect the work piece for knots or nails before cutting. Never saw into a knot or nail.
- ✿ Make straight cuts. Always use a straight edge guide when rip cutting. This helps prevent twisting the blade.
- ✿ Use clean, sharp, and properly set blades. Never make cuts with dull blades.
- ✿ Support the work piece properly before beginning a cut.
- ✿ Use steady, even pressure when making a cut. Never force a cut.
- ✿ Do not cut warped or wet lumber.
- ✿ Hold the saw firmly with both hands and keep your body kick back should occur.

⚠ WARNING! in a balanced position so as to resist the forces if
When using the saw, always stay alert and exercise control. Do not remove the saw from the work piece while the blade is moving.

SAW BLADES

The best of saw blades will not cut efficiently if they are not kept clean, sharp, and properly set. Using a dull blade will place a heavy load on the saw and increase the danger of kickback. Keep extra blades on hand, so that sharp blades are always available.

Gum and wood pitch hardened on blades will slow the saw down. Remove saw blade from the saw and use gum and pitch remover, hot water, or kerosene to remove these accumulations. **DO NOT USE GASOLINE.**

BLADE GUARD SYSTEM

See Figure 8, page 4.

The lower blade guard attached to the circular saw is there for your protection and safety. Do not alter it for any reason. If it becomes damaged, do not operate the saw until you have the guard repaired or replaced. Always leave guard in operating position when using the saw.

⚠ DANGER! When sawing through work, lower blade guard does not cover blade on the underside of work. Since blade is exposed on underside of work, keep hands and fingers away from cutting area. Any part of your body coming in contact with moving blade will result in serious injury.

⚠ CAUTION! Never use saw when guard is not operating correctly. Check the guard for correct operation before each use. The guard is operating correctly when it moves freely and readily returns to the closed position. If you drop the saw, check the lower blade guard and bumper for damage at all depth settings before reuse.

STARTING/STOPPING THE SAW

See Figure 9, page 4.

This saw is equipped with a worklight that will turn on when the trigger is depressed and will turn off when the trigger is released.

To start the saw:

- ✿ Depress the lock-off button.
- ✿ Depress the switch trigger.

Always let the blade reach full speed, then guide the saw into the work piece.

⚠ WARNING! The blade coming in contact with the work piece before it reaches full speed could cause the saw to “kickback” towards you resulting in serious injury.

To stop the saw: release the switch trigger.

After you release the switch trigger, allow the blade to come to a complete stop. Do not remove the saw from the workpiece while the blade is moving.

LOCK-OFF BUTTON

See Figure 9, page 4.

The lock-off button reduces the possibility of accidental starting. The lock-off button is located on the handle above the switch trigger. The lock-off button must be depressed before you pull the switch trigger. The lock resets each time the trigger is released.

NOTE: You can depress the lock-off button from either the left or right side.

ADJUSTING BLADE DEPTH

See Figure 10, page 4.

Always keep correct blade depth setting. The correct blade depth setting for all cuts should not exceed 1/4 in. below the material being cut. More blade depth will increase the chance of kickback and cause the cut to be rough. For more depth of cut accuracy, a scale is located on the upper blade guard.

- ✿ Loosen the depth lock lever by lifting it upward away from the base.
- ✿ Determine the desired depth of cut.
- ✿ Locate the depth of cut scale on the back of the upper blade guard.

- ✿ Hold the base flat against the workpiece and raise or lower the saw until the indicator mark on bracket aligns with the notch on the blade guard.
- ✿ Tighten the depth lock lever securely by pushing it downward toward the base.

⚠ DANGER! OPERATING THE SAW

See Figures 11 - 13, page 5.

- ⚠ **WARNING!** To make sawing easier and safer, always maintain proper control of the saw. Loss of control could cause an accident resulting in possible serious injury.

To make the best possible cut, follow these helpful hints.

- ✿ Hold the saw firmly with both hands.
- ✿ Avoid placing your hand on the workpiece while making a cut
- ✿ Support the workpiece so that the cut (kerf) is always to your side.
- ✿ Support the workpiece near the cut.
- ✿ Use clamps or other practical ways to secure the workpiece so that the workpiece will not move during the cut.
- ✿ Always place the saw on the workpiece that is supported, not the "cut off" piece.
- ✿ Place the workpiece with the "good" side down.
- ✿ Draw a guideline along the desired line of cut before beginning your cut.

CROSS CUTTING/RIP CUTTING

See Figure 14, page 5.

When making a straight cross cut or rip cut, align the line of cut with the 00 blade guide notch on the base.

Since blade thicknesses vary, always make a trial cut in scrap material along a guideline to determine how much, if any, you must offset the guideline to produce an accurate cut.

NOTE: The distance from the line of cut to the guideline is the amount you should offset the guide.

RIP CUTTING

See Figure 15, page 5.

Use a guide when making long or wide rip cuts with the saw.

- ✿ Secure the workpiece.
- ✿ Clamp a straight edge to the workpiece using C-clamps.
- ✿ Saw along the straight edge to achieve a straight rip

NOTE: Do not bind the blade in the cut.

WIDTH OF CUT SCALE

See Figure 16, page 5.

A width of cut scale is located on the base of the saw. When making straight cross cuts or rip cuts, the scale can be used to measure up to 4-1/2 in. on the right side of the blade, and up to 1 in. on the left side of the blade.

BEVEL CUTTING

See Figures 17 - 18, pages 5 - 6.

- ✿ Adjust the angle of the cut to any desired setting between zero and 56°. Refer to Adjusting the Bevel Setting next.
- ✿ If making a 45° bevel cut, align the line of cut with the 45° blade guide notch on the base.
- ✿ Make a trial cut in scrap material along a guideline to determine how much you should offset the guideline on.

ADJUSTING THE BEVEL SETTING

See Figure 18, page 6.

- ✿ Loosen the bevel lock knob.
- ✿ Raise the motor housing end of the saw until you reach the desired angle setting on the bevel scale.
- ✿ Tighten the bevel lock knob securely.

⚠ WARNING! Attempting a bevel cut without having the bevel lock knob securely tightened can result in serious injury.

NOTE: For bevel cuts 56° and above, move the bevel lock knob into the notch at the 56° mark on the bevel scale, and tighten the knob securely.

MAKING A BEVEL CUT

See Figure 18, page 6.

- ✿ Hold the saw firmly with both hands as shown.
 - ✿ Rest the front edge of the base on the workpiece.
 - ✿ Start the saw and let the blade reach full speed.
 - ✿ Guide the saw into the workpiece and make the cut.
 - ✿ Release the trigger and allow the blade to come to a complete stop.
 - ✿ Lift the saw from the workpiece.
- See Figure 19, page 16.

POCKET CUTTING

⚠ WARNING! Always adjust bevel setting to zero before making a pocket cut. Attempting a pocket cut at any other setting can result in loss of control of the saw possibly causing serious injury.

- ✿ Adjust the bevel setting to zero.
- ✿ Set the blade to the correct blade depth setting.
- ✿ Swing the lower blade guard up using the lower blade guard handle.

NOTE: Always raise the lower blade guard with the handle to avoid serious injury.

- ✿ Hold the lower blade guard by the handle.

⚠ WARNING! Never extend your fingers while holding the lower blade guard handle. Extending your fingers may result in contact with the blade, causing serious injury.

- ✿ Rest the front of the base flat against the workpiece with the rear of the handle raised so the blade does not touch the workpiece.
- ✿ Start the saw and let the blade reach full speed.
- ✿ Guide the saw into the workpiece and make the cut.

⚠ WARNING! Always cut in a forward direction when pocket cutting.

Cutting in the reverse direction could cause the saw to climb up on the workpiece and back toward you.

- ✿ Release the trigger and allow the blade to come to a complete stop.
- ✿ Lift the saw from the workpiece.
- ✿ Clear corners out with a hand saw or sabre saw.

⚠ WARNING! Never tie the lower blade guard in a raised position. Leaving the blade exposed could lead to serious injury.

8. ASSEMBLY

UNPACKING

This product requires assembly

☼ Carefully remove the product and any accessories from the box. All items listed in the Includes section must be included at the time of purchase.

⚠ WARNING! Items in this Assembly section are not assembled to the product by the manufacturer and require customer installation. Use of a product that may have been improperly assembled could result in serious personal injury.

- ☼ Inspect the product carefully to make sure no breakage or damage occurred during shipping.
- ☼ Do not discard the packing material until you have carefully inspected and satisfactorily operated the product.

⚠ WARNING! If any parts are damaged or missing do not operate this product until the parts are replaced. Use of this product with damaged or missing parts could result in serious personal injury.

⚠ WARNING! Do not attempt to modify this product or create accessories not recommended for use with this product. Any such alteration or modification is misuse and could result in a hazardous condition leading to possible serious personal injury.

⚠ WARNING! To prevent accidental starting that could cause serious personal injury, always remove the battery pack from the product when assembling parts.

ATTACHING THE BLADE

See Figure 1, page 3.

⚠ WARNING! A 7-1/4 in. blade is the maximum blade capacity of the saw. Never use a blade that is too thick to allow outer blade washer to engage with the flats on the spindle. Larger blades will come in contact with the blade guard, while thicker blades will prevent blade screw from securing blade on spindle. Either of these situations could result in a serious accident.

- ☼ Remove the battery pack from the saw.
- ☼ Remove the blade wrench (6 mm hex key) from the storage area.
- ☼ Depress the spindle lock button and remove the blade screw and outer blade washer.

NOTE: Turn the blade screw clockwise to remove.

NOTICE! To prevent damage to the spindle or spindle lock, always allow motor to come to a complete stop before engaging spindle lock.

NOTE: Do not run the circular saw with spindle lock engaged.

- ☼ Wipe a drop of oil onto the inner blade washer and outer blade washer where they contact the blade.

⚠ WARNING! If inner blade washer has been removed, replace it before placing blade on spindle. Failure to do so could cause an accident since blade will not tighten properly.

- ✿ Fit the saw blade inside the lower blade guard and onto the spindle. NOTE: The saw teeth point upward at the front of the saw.
- ✿ Replace the outer blade washer.
- ✿ Depress the spindle lock button, then replace the blade screw. Tighten the blade screw securely by turning it counterclockwise.
- ✿ Return the blade wrench to the storage area.

NOTE: Never use a blade that is too thick to allow the outer blade washer to engage with the flats on the spindle.

REMOVING THE BLADE

See Figure 2, page 3.

- ✿ Remove the battery pack from the saw.
- ✿ Remove the blade wrench from the storage area.
- ✿ Position the saw as shown, depress the spindle lock button, and remove the blade screw by turning it clockwise.
- ✿ Remove the outer blade washer.
- ✿ Remove the blade.

9. ADJUSTMENTS

⚠ WARNING! To prevent accidental starting that could cause serious personal injury, always remove the battery pack from the product when making adjustments.

0° BEVEL STOP

See Figure 20, page 6.

The saw has a 0° bevel stop that has been factory adjusted to assure 0° angle of the saw blade plate when making 90° cuts.

CHECKING 0° BEVEL STOP

- ✿ Remove battery pack.
- ✿ Place the saw in an upside down position on a workbench.
- ✿ Check the squareness of the saw blade plate to the base of the saw using a carpenter's square.

10. MACHINE CARE

Overload

Never use excessive force when cutting. Too much pressure reduces the speed of the machine, and the required power is greatly reduced. This may result in overload which can damage the motor of the machine. When the machine becomes too hot, allow it to run for two minutes at no load and then interrupt working for a short time. Clean the machine with a clean cloth and a brush. Ensure that the ventilation slots are not blocked.

11. WARRANTY

The Warranty Card shall be valid only when submitted together with the purchase receipt. Keep the both documents in a safe place. To lodge a warranty complaint, turn to your dealer or a service centre. The warranty shall apply to all product defects and faults that occurred during the warranty period and were demonstrably attributable to material or manufacturing defects. In such cases the product shall be repaired and/or adjusted. The warranty shall not apply to standard wear of the product, as well as to faults attributable to overloading, using of inappropriate accessories or improper operation of the product.

12. TECHNICAL DATA

Model	FDUK 70305-0	
Rated Voltage	20V	
Unloaded Speed	4 300RPM	
Saw size	φ165 x φ16 mm	
Cut depth	0°	55 mm
	45°	38 mm

Accessories

Item number	Accessory
FDUZ 79020	Battery pack 2 Ah
FDUZ 79040	Battery pack 4 Ah
FDUZ 79100	Fast charger
FDUZ 79110	Fast dual charger

13. TROUBLESHOOTING

1. The trigger is pressed but the device is not working: For the cordless device to work, you need a succinctly charged battery. The battery will go flat if you do not use the cordless device for an extended period of time. Try charging the battery. Check that the battery is correctly seated in the charger. The charger will heat up while charging, this is normal.
2. The battery is leaking: At extreme temperatures or when under extreme load, a small amount of leakage may occur. If you accidentally touch this liquid, wash your skin or clothing immediately with soap and water.
3. The battery is not charging and the light on the charger is not lit: If the battery is not charging, check that it is correctly seated in the charger and check that the indicator light is lit. If it is not lit, check that the power plug of the charger is correctly plugged into the socket. If it is, check the socket's fuse/circuit breaker.
4. The body of the device heats up after extended use: Under normal load the body, trigger and battery will heat up because the energy consumed when drilling generates heat. This is normal. Simply allow the device to cool down for several minutes.
5. The battery heats up during use: Energy drawn from the battery generates heat. It does not damage the battery, heat from drawing energy is normal. If you wish to cool the battery down, allow the device to cool down for a few minutes before continuing with work.
6. The battery heats up while charging: This is normal and is the result of chemical reactions taking place inside the battery during the charging process.
7. The charging unit will heat up while charging: This is normal and is caused by the reduction of voltage from 230V to 20V.

14. DISPOSAL



The machine, rechargeable batteries, accessories and packaging should be sorted for environmental friendly recycling.

Do not dispose of power tools and batteries/rechargeable batteries into household waste!

Only for EC countries:



According to the European Guideline 2012/19/EU, power tools that are no longer usable, and according to the European Guideline 2006/66/EC, defective or used battery packs/batteries, must be collected separately and disposed of in an environmentally correct manner.

INSTRUCTIONS AND INFORMATION ON DISPOSING OF USED PACKAGING MATERIALS

Put any used package material to the place determined by the municipality for waste disposal.

DISPOSAL OF USED ELECTRIC AND ELECTRONIC EQUIPMENT



This symbol on products or accompanying documents means that used electric or electronic products must not be put to ordinary municipal waste. Hand over such products to determined collection points for proper disposal, restoration and recycling. Alternatively, in some countries of the European Union or other European countries you can return your products to your local dealer when you buy an equivalent new product. By dutiful disposal of this product you can preserve precious natural resources and you help prevent any potential adverse effects on the environment and human health which could be the results of wrong waste disposal. Ask your local authority or the nearest collection point for additional details. In case of improper disposal of this waste kind penalties can be imposed in accordance with national regulations.

For companies in the European Union countries

Should you want to dispose of electric and electronic devices, ask your dealer or vendor for necessary information. Disposal in other countries outside the European Union. Should you want to dispose of this product, ask your local authorities or your dealer for necessary information about disposal method.



This product fulfils all basic requirements of the EU directives that apply to it.

Text, design and technical specifications can change without prior notice and we reserve the right for their change.

User manual in the original language.

Akumulátorová kotoučová pila

UŽIVATELSKÁ PŘÍRUČKA

Děkujeme vám za zakoupení této akumulátorové kotoučové pily FIELDMANN. Před jejím použitím si prosím pozorně přečtete tuto uživatelskou příručku a uschovejte ji pro případné pozdější použití.

OBSAH

1. BEZPEČNOSTNÍ POKYNY	26
2. SYMBOLY	27
3. POPIS NÁŘADÍ A DODANÉ POLOŽKY	28
4. OBECNÉ BEZPEČNOSTNÍ POKYNY	29
5. SPECIFICKÉ BEZPEČNOSTNÍ POKYNY	32
6. OCHRANA SLUCHU	32
7. POUŽITÍ	32
8. SESTAVENÍ	38
9. NASTAVENÍ	39
10. PÉČE O ZAŘÍZENÍ	40
11. ZÁRUKA	40
12. TECHNICKÉ ÚDAJE	40
13. ŘEŠENÍ PROBLÉMŮ	41
14. LIKVIDACE	42

1. BEZPEČNOSTNÍ POKYNY

⚠ VAROVÁNÍ!

Před použitím tohoto produktu si pozorně přečtěte návod k obsluze.

Důležitá bezpečnostní varování

- ✿ Opatrně produkt vybalte a dávejte pozor, abyste nevyhodili žádnou část balení dříve, než vybalíte a najdete všechny součásti.
- ✿ Uložte produkt na suchém místě mimo dosah dětí.
- ✿ Přečtěte si všechna upozornění a pokyny. V případě nedodržení varovných upozornění a pokynů hrozí nebezpečí nehody, požáru a/nebo vážného zranění.

Balení

Produkt je umístěn v obalu zabraňujícím poškození během přepravy. Tento obal představuje znovu využitelnou surovinu a proto jej můžete odevzdat k recyklaci.

Pokyny pro používání

Před zahájením práce s tímto zařízením si přečtěte následující bezpečnostní předpisy a pokyny pro používání. Důkladně se seznámte s ovládacími prvky zařízení a se správným způsobem jeho používání. Uložte tento návod na bezpečné místo pro pozdější použití. Doporučujeme vám, abyste si alespoň po dobu platnosti záruky uschovali originální obal včetně vnitřních balících materiálů, pokladní doklad a záruční list. V případě přepravy zabalte zařízení do originální krabice od výrobce, aby byla zajištěna maximální ochrana produktu během přepravy (např. odvoz nebo odeslání do servisního střediska).

📖 Poznámka: Pokud budete zařízení předávat dalšímu uživateli, přiložte k němu také návod. Dodržování dodávaných pokynů pro používání je nezbytným předpokladem správného používání zařízení. Návod k obsluze obsahuje kromě pokynů k obsluze také pokyny k provádění údržby a oprav.

Výrobce nenese žádnou odpovědnost za nehody nebo škody vzniklé v důsledku nedodržování pokynů v tomto návodu.

Účel použití

Tato přímočará pila je určena k používání pouze dospělými osobami, které si přečetly pokyny a varování v tomto návodu a rozumí jim, a které lze považovat za odpovědné za své jednání.

Tento produkt s přípevnými vhodnými listy je určen k řezání dřeva, plastů, sádkartonu a kovu až do hloubky uvedené v tabulce specifikací.

Tento produkt je určen výhradně pro ruční použití. Produkt je zakázáno montovat na pracovní stůl, jestliže k tomu neobdržíte konkrétní pokyny od výrobce tohoto produktu.

Nepoužívejte tento produkt pro žádné jiné účely. Používání tohoto produktu k jiným účelům, než k jakým je určen, může být nebezpečné.

2. SYMBOLY



Tento výrobek splňuje požadavky platných norem a předpisů.



Před použitím tohoto nářadí si pozorně přečtěte návod k použití.



Používejte ochranu zraku



Používejte ochranu sluchu



Laser AC: nebezpečí zranění – nedívejte se přímo do paprsku

3. POPIS NÁŘADÍ A DODANÉ POLOŽKY

Popis nářadí (viz strana 3)

- A. Odjišťovací tlačítko
- B. Spouštěcí spínač
- C. Uložení klíče na kotouč
- D. Zajišťovací páka hloubky řezu
- E. Měřítka šířky řezu
- F. Upínací šroub šikmých řezů
- G. Pracovní svítilna

Dodané položky

Vyjměte veškerý obsah krabice a zkontrolujte, zda nedošlo během přepravy k nějakému poškození a zda máte k dispozici všechny níže uvedené položky.

- Kotoučová pila
- Paralelní vodičko
- 1 pilový kotouč
- Záruční list
- Návod k obsluze

Pokud některé komponenty chybí nebo jsou poškozeny, kontaktujte prodejce zařízení.

4. OBECNÉ BEZPEČNOSTNÍ POKYNY

Přečtete si prosím pozorně tyto bezpečnostní pokyny, zapamatujte si je a uložte je na bezpečném místě

⚠ VAROVÁNÍ! Během používání elektrických strojních zařízení a elektrického nářadí je důležité dodržovat následující bezpečnostní pokyny a řídit se jimi, aby byla zajištěna ochrana před zraněním v důsledku zasažení elektrickým proudem, ochrana před jakýmkoli jiným zraněním osob a ochrana před nebezpečím vzniku požáru. Pojem „elektrické nářadí“, který je v níže uvedených pokynech používán, se vztahuje k elektrickému nářadí, které se připojuje ke zdroji elektrické energie (prostřednictvím napájecího kabelu), i k nářadí napájenému z akumulátorů (bez napájecího kabelu). Všechna varování a pokyny uschovejte pro budoucí použití.

Pracovní prostředí

- ☼ Udržujte pracovní oblast čistou a dobře osvětlenou. Neuspořádaná a tmavá místa na pracovišti jsou obvykle příčinou nehod. Nepoužívané nářadí uskladněte.
- ☼ Nepoužívejte elektrické nářadí v prostředí, kde hrozí nebezpečí požáru nebo výbuchu; to se týká zejména míst s výskytem hořlavých kapalin, plynů nebo prachu. Na komutátory elektrického nářadí se vytvářejí jiskry, které mohou způsobit vznícení prachu nebo výparů.
- ☼ Při práci s elektrickým nářadím je třeba zamezit možnosti vstupu nepovolaných osob, zejména dětí, na pracoviště! V případě odvedení pozornosti můžete ztratit kontrolu nad právě prováděnou činností. V žádném případě nenechávejte elektrické nářadí bez dozoru. Nedovolte, aby se k zařízení přiblížila zvířata.

Elektrická bezpečnost

- ☼ Zástrčka napájecího kabelu elektrického nářadí musí odpovídat síťové zásuvce. Zástrčku nikdy žádným způsobem neupravujte. Je-li zástrčka napájecího kabelu elektrického nářadí vybavena bezpečnostním kolíkem, nikdy nepoužívejte adaptér jakéhokoli druhu. Používáním nepoškozených zástrček a odpovídajících zásuvek předejdete nebezpečí úrazu elektrickým proudem. Je-li napájecí kabel poškozený, musí být vyměněn za nový, který lze získat prostřednictvím autorizovaného servisního střediska nebo dovozce.
- ☼ Vyhýbejte se styku těla s uzemněnými předměty, např. potrubími, topnými tělesy, kuchyňskými sporáky a chladničkami. Nebezpečí zasažení elektrickým proudem je větší, jestliže je vaše tělo propojeno se zemí.
- ☼ Nevystavujte elektrické nářadí dešti nebo vlhkosti. Nikdy se elektrického nářadí nedotýkejte mokřou rukama. Nikdy elektrické nářadí neumývejte pod tekoucí vodou a nikdy jej neponořujte do vody.
- ☼ Napájecí kabel nepoužívejte k žádnému jinému účelu, než ke kterému je původně určen. Nikdy elektrické nářadí nepřenášejte ani netahajte za napájecí kabel. Zástrčku neodpojujte ze zásuvky tažením za napájecí kabel. Chraňte napájecí kabel před mechanickým poškozením způsobeným stykem s ostrými nebo horkými předměty.
- ☼ Elektrické nářadí, které je vybaveno napájecím kabelem, je určeno výlučně k připojení ke střídavému zdroji energie. Vždy zkontrolujte, zda elektrické napětí odpovídá údajům vytištěným na štítku s výrobním číslem nářadí.
- ☼ Nikdy npracujte s nářadím, které má poškozen napájecí kabel nebo zástrčku a s nářadím, které spadlo na zem nebo které je jakkoli jinak poškozeno.
- ☼ V případě používání prodlužovacího kabelu vždy zkontrolujte, zda technické parametry tohoto kabelu odpovídají údajům vytištěným na štítku s výrobním číslem nářadí.
- ☼ Pokud s elektrickým nářadím pracujete ve venkovním prostředí, používejte prodlužovací kabel, který je pro toto venkovní prostředí vhodný. Při používání bubnu s prodlužovacím kabelem musí být kabel odvinutý,

aby se předešlo jeho přehřívání. Pokud se elektrické nářadí používá ve vlhkých oblastech nebo venku, je povoleno jeho používání pouze tehdy, když je připojeno k elektrickému obvodu s proudovým chráničem ≤ 30 mA. Používání obvodu s proudovým chráničem snižuje nebezpečí zasažení elektrickým proudem.

- ✿ Při práci držte ruční elektrické nářadí za určené izolované úchopné oblasti, protože během provozu může dojít ke styku řezných nebo vrtacích pracovních částí nářadí se skrytým vodičem nebo s napájecím kabelem.

Bezpečnost osob

- ✿ Při používání elektrického nářadí buďte opatrní a pozorní, a vždy se plně soustřeďte na prováděnou činnost. Soustřeďte se na prováděnou práci. Nepoužívejte elektrické nářadí, pokud jste unaveni nebo pod vlivem drog, alkoholu nebo léků. Během používání elektrického nářadí může mít i chvilková nepozornost za následek vážné zranění osob. Během práce s elektrickým nářadím nejzte, nepijte a nekuřte.
- ✿ Používejte ochranné pomůcky. Vždy používejte ochranu zraku. Používejte ochranné pomůcky odpovídající druhu prováděné práce. Ochranné pomůcky, jako například respirátory, bezpečnostní obuv s protiskluzovou úpravou, ochrana hlavy nebo ochrana sluchu, které se používají v souladu s pracovními podmínkami, snižují nebezpečí zranění osob.
- ✿ Zamezte možnosti neúmyslného spuštění nářadí. Nepřenášejte nářadí, které je připojeno k elektrické síti, s prstem na jeho spínači nebo spoušti.
- ✿ Před připojením nářadí ke zdroji energie se ujistěte, že je spínač nebo spoušť v poloze „off“ (vypnuto). Přenášení nářadí s prstem na jeho spínači nebo na spoušti, nebo připojování nářadí k zásuvce v době, kdy je jeho spínač v poloze „on“ (zapnuto), může způsobit vážné zranění. Před zapnutím nářadí odstraňte všechny seřizovací klíče a nástroje. Seřizovací klíč nebo jiný nástroj, který zůstane připojený k otáčející se části elektrického nářadí, může způsobit vážné zranění osob.
- ✿ Při práci stůjte vždy tak, abyste měli pevnou oporu a neztratili rovnováhu. Pracujte pouze v místech, která jsou ve vašem bezpečném dosahu. Nikdy nepřeceňujte své vlastní síly. Jestliže jste unaveni, elektrické nářadí nepoužívejte.
- ✿ Vhodně se oblékejte. Používejte pracovní oděv. Nenoste volný oděv nebo šperky. Zajistěte, aby se vaše vlasy, oblečení, rukavice nebo jiné části těla nedostaly do příliš malé vzdálenosti od otáčejících se nebo zahřívajících se částí elektrického nářadí.
- ✿ Připojte zařízení k odsávání prachu. Pokud nářadí poskytuje možnost připojení zařízení pro zachytávání nebo odsávání prachu, zajistěte, aby bylo toto zařízení správně připojeno a používáno. Používání tohoto zařízení může snížit nebezpečí související účinky prachu.
- ✿ Obrobek pevně upněte. K zajištění dílu, který budete řezat, použijte tesařskou svorku nebo svěrák.
- ✿ Nepoužívejte elektrické nářadí, pokud jste pod vlivem alkoholu, drog, léků nebo jiných omamných či návykových látek.
- ✿ Toto zařízení není určeno k tomu, aby jej používaly osoby s omezenými tělesnými, smyslovými nebo duševními schopnostmi (včetně dětí) nebo osoby s nedostatečnými zkušenostmi a znalostmi, pokud nejsou pod dohledem osoby zodpovídající za jejich bezpečnost nebo pokud od této osoby neobdržely pokyny ke správnému používání zařízení. Děti musí být pod dozorem, aby bylo zajištěno, že si s tímto zařízením nebudou hrát.

Používání a údržba elektrického nářadí

- ✿ Pokud se během práce vyskytne jakýkoli problém a rovněž před každým prováděním čištění nebo údržby, při každém střídání pracovních směn a po dokončení práce, odpojte elektrické nářadí vždy od elektrické sítě! S jakkoli poškozeným elektrickým nářadím nikdy nepracujte. Pokud nářadí začne vydávat nezvyklý hluk nebo z něj začne vycházet neobvyklý zápach, ihned s ním přestaňte pracovat.

- ✿ Elektrické nářadí nepřetěžujte. Elektrické nářadí bude fungovat lépe a bezpečněji, jestliže bude používání s rychlostí, pro kterou bylo navrženo. Používejte správné nářadí, které je určeno pro konkrétní činnost. Práce se správně zvoleným nářadím je účinnější a bezpečnější.
- ✿ Nepoužívejte elektrické nářadí, které nelze bezpečně zapínat a vypínat pomocí ovládacího spínače. Používání zařízení v tomto stavu je nebezpečné. Vadné spínače musí být opraveny v certifikovaném servisním středisku.
- ✿ Před zahájením nastavování, výměnou příslušenství nebo údržbou odpojte nářadí od zdroje energie. Toto opatření zabrání nebezpečí náhodného rozběhnutí.
- ✿ Nepoužívané elektrické nářadí uložte tak, aby bylo mimo dosah dětí a nepovolaných osob. Elektrické nářadí může být v rukou nezkušených uživatelů nebezpečné. K uskladnění elektrického nářadí vybírejte suché a bezpečné místo. Elektrické nářadí udržujte v dobrém stavu. Pravidelně kontrolujte nastavení pohyblivých součástí i jejich pohyblivost. Kontrolujte, zda ochranný kryt nebo jiné součásti nejsou poškozené a neomezují tak bezpečnou funkci elektrického nářadí. Je-li nářadí poškozené, před dalším použitím zajistěte jeho řádnou opravu. Mnoho zranění bývá způsobeno zanedbanou údržbou elektrického nářadí.
- ✿ Řezné nářadí udržujte ostré a čisté. Řádně udržované a naostržené nářadí usnadňuje práci, snižuje nebezpečí zranění a umožňuje snazší kontrolu během práce. Používání jiného příslušenství, než které je uvedeno v návodu k obsluze, může způsobit poškození nářadí a zranění osob.
- ✿ Elektrické nářadí, příslušenství, pracovní nástroje atd. používejte v souladu s těmito pokyny a způsobem, jehož popis se vztahuje ke konkrétnímu typu elektrického nářadí, daným pracovním podmínkám a druhu práce.
- ✿ Používání nářadí k jiným, než určeným účelům, může mít za následek vznik nebezpečných situací.

Používání akumulátorového nářadí

- ✿ Před vložením baterie se ujistěte, že je vypínač v poloze „0-off“ (0 – vypnuto). Vložení baterie do běžícího nářadí může způsobit nebezpečnou situaci.
- ✿ Pro nabíjení baterie používejte pouze nabíječky určené výrobcem. Použití nabíječky pro jiný druh baterií může způsobit poškození baterie a vznik požáru.
- ✿ Používejte pouze baterie určené pro vaše nářadí. Používání jiných baterií může způsobit zranění nebo požár.
- ✿ Pokud baterii nepoužíváte, uložte ji v dostatečné vzdálenosti od kovových předmětů, jako jsou například svorky, klíče, šrouby nebo jiné malé kovové předměty, které by mohly způsobit spojení kontaktů baterie. Zkratování baterie může způsobit zranění, popálení nebo požár.
- ✿ S bateriemi manipulujte opatrně. V případě nesprávné péče mohou z baterie uniknout chemické látky. Nedotýkejte se této látky a pokud s ní přijdete jen do kontaktu, opláchněte zasažené místo tekoucí vodou. Pokud se chemická látka dostane do kontaktu s očima, okamžitě vyhledejte lékařskou pomoc. Chemická látka z baterie může způsobit vážné zranění.

Servis

- ✿ Nevyměňujte součásti nářadí, neprovádějte vlastními silami jeho opravy a žádným způsobem nezasahujte do jeho konstrukce. Provádění oprav nářadí svěřte osobám s odbornou kvalifikací.
- ✿ Každá oprava nebo úprava produktu provedená bez předchozího souhlasu naší společnosti je považována za nepřipustnou (může uživateli způsobit zranění nebo škodu).
- ✿ Provádění oprav nářadí vždy svěřte certifikovanému servisnímu středisku. Používejte pouze originální nebo doporučené náhradní díly. Tím bude zaručena bezpečnost vás samotných i vašeho nářadí.

5. SPECIFICKÉ BEZPEČNOSTNÍ POKYNY

⚠ VAROVÁNÍ! Před použitím tohoto produktu si prosím pečlivě tyto bezpečnostní pokyny a pečlivě je uložte.

- ✿ Ujistěte se prosím, že napětí síťového zdroje energie odpovídá hodnotě uvedené na typovém štítku. Toto nářadí je opatřeno napájecím kabelem s dvěma vodiči a zástrčkou!
- ✿ Provádíte-li řezání nebo vrtání v prашném prostředí, používejte ochranné bezpečnostní brýle a obličejovou nebo prachovou masku. Budete-li toto nářadí používat dlouhodobě nebo na místech s velkou hlučností, používejte odpovídající ochranu sluchu.
- ✿ Jsou-li zařízení vybavena adaptérem pro připojení zařízení pro odsávání a sběr prachu, zajistěte jejich správné připojení a funkci. Jakmile je vak na prach naplněn, vždy jej vyprázdněte.
- ✿ Pro upnutí obrobku používejte svorky nebo svěrák. Je to bezpečnější než používání rukou a uvolňuje to obě ruce pro obsluhu tohoto nářadí.
- ✿ Zajistěte, aby byl napájecí kabel veden tak, aby o něj nebylo možné zakopnout, šlápnout na něj, a aby na něm nestály těžké předměty. Zajistěte, aby nemohlo dojít k poškození kabelu.
- ✿ Nebudou-li dodržovány pokyny uvedené v tomto návodu, hrozí nebezpečí zranění. Tato přímočará pila splňuje požadavky platných technických předpisů a norem.
- ✿ Při práci s touto přímočarou pilou musí být vždy stlačen dolů její ochranný kryt.
- ✿ Pravidelně kontrolujte oba šrouby na svorce pilového listu.
- ✿ Nepoužívejte poškozené nebo opotřebené pilové listy.
- ✿ Pravidelně kontrolujte nastavení vodičícího kotouče.
- ✿ Nezapínejte tuto pilu, je-li pilový list zasunutý do obrobku.
- ✿ Nikdy nepřetěžujte tuto pilu tak, aby docházelo k zastavování motoru.
- ✿ Nikdy se nepokoušejte zastavit pohyb pilového listu, a to ani v případě, že motor pily vypnutý.
- ✿ Vyjmutí samotného pilového listu je velmi rychlé. Zuby pilového listu jsou velmi ostré.
- ✿ Nikdy nemiřte touto pilou na jiné osoby.
- ✿ Používejte ochranné prostředky proti hluku, prachu a vibracím!!!

⚠ VAROVÁNÍ! Uschovejte tyto bezpečnostní pokyny!!!

6. OCHRANA SLUCHU

⚠ VAROVÁNÍ! Pokud úroveň akustického tlaku přesahuje hodnotu 90,2 dB (A), používejte odpovídající ochranu sluchu, aby nedošlo k poškození vašeho sluchu!

7. POUŽITÍ

⚠ VAROVÁNÍ! Zabraňte tomu, aby znalost tohoto výrobku způsobila vaši neopatrnost. Pamatujte si, že chvilková nepozornost při práci stačí k způsobení vážného zranění.

⚠ VAROVÁNÍ! Vždy používejte ochranu zraku s bočními kryty označenými tak, aby splňovaly požadavky normy ANSI Z87.1. Při nedodržení tohoto pokynu může dojít k zasažení vašich očí odmrštěným předmětem nebo k jinému vážnému zranění.

VAROVÁNÍ! Nepoužívejte žádné doplňky nebo příslušenství, které není doporučeno výrobcem tohoto výrobku. Použití nedoporučených doplňků nebo příslušenství může vést k způsobení vážného zranění.

VAROVÁNÍ! Nikdy s touto pilou nepoužívejte rozbrušovací kotouče jakéhokoli druhu. Použití kotoučů, které nejsou určeny pro řezání dřeva, může mít za následek poškození majetku nebo vážné zranění.

APLIKACE

Tento výrobek může být použit pro níže uvedené účely:

- ✿ Řezání všech typů dřevěných výrobků (řezivo, překližka, obklady, kompozitní desky a tvrdé dřevo)

VLOŽENÍ/VYJMUTÍ AKUMULÁTORU

Viz obr. 3, strana 3.

- ✿ Vložte akumulátor do nářadí jako na uvedeném obrázku.
- ✿ Před zahájením práce se ujistěte, zda obě západky po obou stranách akumulátoru zaskočily na určené místo a zda je akumulátor řádně zajištěn.
- ✿ Stiskněte západky, aby bylo umožněno vyjmutí akumulátoru.

Kompletní pokyny týkající se nabíjení najdete v příručkách pro akumulátor a nabíječku.

VAROVÁNÍ! Akumulátorová nářadí jsou vždy v provozním stavu. Proto by měl být spínač vždy zajištěn, pokud nářadí nepoužíváte nebo přenášíte-li nářadí u boku.

ZPĚTNÝ RÁZ

Viz obr. 4–7, strana 4.

Ke zpětnému rázu dojde v situaci, kdy se kotouč pily rychle zastaví a pila se začne pohybovat zpět směrem na vás. Zablokování kotouče je způsobeno jakoukoli činností, při které dojde k uvážnutí pilového kotouče ve dřevě.

NEBEZPEČÍ! Dojde-li k zaseknutí nebo zablokování kotouče, ihned uvolněte spínač pily. Zpětný ráz může způsobit ztrátu vaší kontroly nad pilou. Ztráta kontroly nad nářadím může vést k způsobení vážného zranění.

Chcete-li se chránit před zpětným rázem, vyvarujte se následujících nebezpečných postupů:

- ✿ Nesprávné nastavení hloubky pilového kotouče.
- ✿ Řezání do suků nebo hřebíků v obrobku.
- ✿ Kroucení pilového kotouče při provádění řezu.
- ✿ Vytváření řezu pomocí tupého, polepeného nebo nesprávně nastaveného pilového kotouče.
- ✿ Nesprávné podepření obrobku.
- ✿ Působení síly na pilový kotouč.
- ✿ Řezání deformovaného nebo vlhkého řeziva.
- ✿ Nesprávné použití nářadí nebo špatné zacházení s nářadím.

Chcete-li zabránit vzniku zpětného rázu, dodržujte tyto bezpečnostní postupy:

- ✿ Udržujte pilový kotouč ve správně nastavené hloubce. Tato nastavená hloubka nesmí přesáhnout 6,5 mm pod řezaným materiálem.
- ✿ Před zahájením řezu zkontrolujte obrobek, zda se v něm nenachází suky nebo hřebíky. Nikdy neprovádějte řez do suku nebo hřebíku.
- ✿ Provádějte přímé řezy. Při provádění podélných řezů použijte přímé hranové vodítko. To pomáhá při zabránění kroucení pilového kotouče.

- ✿ Používejte čisté, nabroušené a řádně nastavené pilové kotouče. Nikdy neprovádějte řezy s tupými pilovými kotouči.
- ✿ Před zahájením řezu podepřete řádně obrobek.
- ✿ Při řezání používejte stálý a rovnoměrný tlak. Nikdy neprovádějte řezy silou.
- ✿ Neřežte deformované nebo vlhké řezivo.
- ✿ Držte tuto pilu pevně oběma rukama a udržujte stabilní postoj, abyste v případě nutnosti odolali silám zpětného rázu.

VAROVÁNÍ!

Při použití této pily dávejte vždy pozor a kontrolujte prováděnou práci. Nevyjímajte tuto pilu z obrobku, je-li pilový kotouč v pohybu.

PILOVÉ KOTOUČE

I ty nejlepší pilové kotouče nebudou řezat efektivně, nebudou-li udržovány v čistotě, nebudou-li nabroušeny nebo budou-li špatně nastaveny. Při použití tupého pilového kotouče bude na tuto pilu přenášeno velké zatížení a bude zvýšeno riziko zpětného rázu. Mějte vždy připraveny i další pilové kotouče tak, aby byly rychle k dispozici. Pryskyřice a smola, která zatvrdla na pilovém kotouči, bude pilu zpomalovat. Vyjměte pilový kotouč z pily a odstraňte tyto usazeniny pomocí odstraňovače pryskyřice a smoly, horké vody nebo petroleje.

NEPOUŽÍVEJTE BENZÍN.

OCHRANNÝ SYSTÉM PILOVÉHO KOTOUČE

Viz obr. 8, strana 4.

Spodní kryt kotouče připevněný k této kotoučové pile je používán pro vaši ochranu a bezpečnost. Nikdy jej ze žádného důvodu neopravujte. Dojde-li k jeho poškození, nepoužívejte tuto pilu, dokud nedojde k opravě nebo výměně tohoto krytu. Při práci s touto pilou nechávejte tento kryt vždy v pracovní poloze.

NEBEZPEČÍ! Při řezání přes obrobek spodní kryt pilového kotouče nezakrývá kotouč na spodní straně obrobku. Protože není pilový kotouč na spodní straně obrobku zakrytý, udržujte ruce a prsty v bezpečné vzdálenosti od místa řezu. Dostane-li se jakákoli část vašeho těla do kontaktu s pohybujícím se pilovým kotoučem, dojde k vážnému zranění.

POZOR! Nikdy nepoužívejte tuto pilu, nepracuje-li tento kryt správně. Před každým použitím pily zkontrolujte správnou funkci tohoto krytu. Tento kryt pracuje správně, jestliže se volně pohybuje a jestliže se automaticky vrací do uzavřené polohy. Dojde-li k pádu vaší pily, před opětovným použitím pily zkontrolujte při nastavení všech hloubek řezu spodní kryt pilového kotouče a doraz, zda nedošlo k jejich poškození.

SPUŠTĚNÍ/ZASTAVENÍ PILY

Viz obr. 9, strana 4.

Tato pila je vybavena pracovním svítilnou, která se rozsvítí při stisknutí spouštěcího spínače a vypne se při uvolnění spouštěcího spínače.

Spuštění pily:

- ✿ Stiskněte odjišťovací tlačítko.
- ✿ Stiskněte spouštěcí spínač.

Vždy nechte pilu dosáhnout maximálních otáček, a potom pilu zaveďte do obrobku.

VAROVÁNÍ! Kontakt pilového kotouče s obrobkem, dokud pilový kotouč ještě nedosáhl maximálních

otáček, by mohl způsobit zpětný ráz a odhození pily dozadu směrem na vás, což by mohlo vést k způsobení vážného zranění.

Zastavení pily: uvolněte spouštěcí spínač.

Jakmile uvolníte spouštěcí spínač, počkejte, dokud nedojde k úplnému zastavení pilového kotouče. Nevyjímejte tuto pilu z obrobku, je-li pilový kotouč v pohybu.

ODJIŠŤOVACÍ TLAČÍTKO

Viz obr. 9, strana 4.

Toto odjišťovací tlačítko omezuje možnost náhodného spuštění. Toto odjišťovací tlačítko je umístěno na rukojeti nad spouštěcím spínačem. Toto odjišťovací tlačítko musí být stisknuto před stisknutím spouštěcího spínače. Pojistka bude resetována po každém stisknutí spouštěcího spínače.

POZNÁMKA: Toto odjišťovací tlačítko může být stisknuto z levé i z pravé strany.

NASTAVENÍ HLOUBKY PILOVÉHO KOTOUČE


Viz obr. 10, strana 4.

Vždy provádějte správné nastavení hloubky pilového kotouče. Tato správně nastavená hloubka pro všechny řezy nesmí přesáhnout výšku 6,5 mm pod řezaným materiálem. Vyšší hloubka pilového kotouče bude zvyšovat pravděpodobnost způsobení zpětného rázu a způsobí větší hrubost povrchu řezu. Pro zvýšení přesnosti řezu je na horním krytu pilového kotouče umístěno měřítko.

- ☛ Povolte upínací páku hloubky zvednutím směrem nahoru a pryč od základny.
- ☛ Určete požadovanou hloubku řezu.
- ☛ Použijte měřítko hloubky řezu, které se nachází na zadní části horního krytu pilového kotouče.
- ☛ Držte základnu rovnoběžně vzhledem k obrobku a zvedejte nebo spouštějte pilu, dokud se indikační značka na držáku nesrovná se zářezem na krytu pilového kotouče.
- ☛ Utáhněte řádně upínací páku hloubky řezu stlačením této páky směrem dolů a k základně.

NEBEZPEČÍ! OVLÁDÁNÍ PILY

Viz obr. 11–13, strana 5.

 **VAROVÁNÍ!** Vždy dbejte na to, abyste měli kontrolu nad pilou, aby bylo řezání snadnější a bezpečnější. Ztráta kontroly nad pilou by mohla vést k způsobení nehody a k následnému vážnému zranění.

Chcete-li dosáhnout nejvyšší kvality řezů, dodržujte tyto užitečné pokyny.

- ☛ Držte tuto pilu pevně oběma rukama.
- ☛ Při provádění řezu se vyvarujte pokládání rukou na obrobek.
- ☛ Podepřete obrobek tak, aby se řez nacházel vždy na vaší straně.
- ☛ Podepřete obrobek v blízkosti řezu.
- ☛ Upevněte obrobek pomocí svorek nebo jiným praktickým způsobem tak, aby se obrobek během řezu nepohyboval.
- ☛ Vždy pokládejte pilu na obrobek, který je řádně podepřen, neodřezávejte kousky obrobku.
- ☛ Pokládejte obrobek tak, aby byla jeho lepší strana dole.
- ☛ Před zahájením řezu si nakreslete vodicí čáru podél požadované čáry řezu.

PŘÍČNÉ ŘEZY A PODÉLNÉ ŘEZY

Viz obr. 14, strana 5.

Při provádění přírného příčného řezu nebo podélného řezu srovnejte čáru řezu se zářezem 00 na vodítku pilového kotouče na základně.

Protože se tloušťka pilových kotoučů liší, vždy proveďte podél vodítka zkušební řez na odpadovém materiálu, abyste určili, jak velký přesah musí mít vodítko, je-li tento přesah nutný, abyste dosáhli přesného řezu.

POZNÁMKA: Vzdálenost od čáry řezu k vodítku je hodnota, jakou musí mít přesah tohoto vodítka.

PODÉLNÉ ŘEZY

Viz obr. 15, strana 5.

Při provádění dlouhých nebo širokých podélných řezů s touto pilou používejte vodítko.

- ✿ Upněte obrobek.
- ✿ Upněte k obrobku rovnou lištu pomocí svorek ve tvaru C.
- ✿ Provádějte řez podél této lišty, abyste dosáhli přírného podélného řezu.

POZNÁMKA: Vyvarujte se uvážnutí pilového kotouče v řezu.

MĚŘÍTKO ŠÍŘKY ŘEZU

Viz obr. 16, strana 5.

Měřítka šířky řezu je umístěno na základně této pily. Při provádění přírných příčných řezů nebo podélných řezů může být toto měřítka použito pro nastavení až do hodnoty 115 mm na pravé straně pilového kotouče a až do hodnoty 25 mm na levé straně pilového kotouče.

ŠIKMÉ ŘEZY

Viz obr. 17–18, strana 5–6.

- ✿ Nastavte úhel šikmého řezu na požadované nastavení mezi hodnotami nula a 56°. Viz následující část Nastavení úhlu šikmého řezu.
- ✿ Při provádění šikmého řezu v úhlu 45° srovnejte čáru řezu se zářezem 45° na vodítku pilového kotouče na základně.
- ✿ Proveďte zkušební řez na odpadovém materiálu, abyste určili, jak velký přesah musí mít vodítko.

NASTAVENÍ ÚHLU ŠIKMÉHO ŘEZU

Viz obr. 18, strana 6.

- ✿ Povolte upínací šroub pro šikmé řezy.
- ✿ Zvedejte část pily s motorem, dokud na měřítka úhlu šikmých řezů nedosáhnete nastavení požadované hodnoty úhlu.
- ✿ Utáhněte upínací šroub pro šikmé řezy.

⚠ VAROVÁNÍ! Provádění šikmého řezu bez řádného utažení upínacího šroubu pro šikmé řezy může vést k zpusobení vážného zranění.

POZNÁMKA: U šikmých řezů s úhlem 56° nebo s větším úhlem přesuňte upínací šroub pro šikmé řezy do drážky v poloze 56° vyznačené na měřítka pro šikmé řezy, a bezpečně tento upínací šroub utáhněte.

PROVÁDĚNÍ ŠIKMÉHO ŘEZU

Viz obr. 18, strana 6.

- ✿ Držte tufo pilu pevně oběma rukama jako na uvedeném obrázku.

- ☼ Opřete přední hranu základny o obrobek.
 - ☼ Zapněte pilu a počkejte, dokud nedosáhne maximálních otáček.
 - ☼ Zaveďte pilu do obrobku a proveďte požadovaný řez.
 - ☼ Uvolněte spouštěcí spínač a počkejte, dokud nedojde k úplnému zastavení pilového kotouče.
 - ☼ Zvedněte pilu z obrobku.
- Viz obr. 19, strana 16.

PONORNÉ ŘEZY

⚠ VAROVÁNÍ! Před prováděním ponorného řezu nastavte úhel šikmého řezu vždy na nulu. Pokud byste-li se provádět ponorný řez s jiným nastavením, může dojít k ztrátě kontroly nad pilou a k možnému způsobení vážného zranění.

- ☼ Nastavte úhel šikmého řezu na nulu.
- ☼ Nastavte pilový kotouč na správnou hloubku řezu.
- ☼ Pomocí příslušné rukojeti otočte spodní kryt pilového kotouče nahoru.

POZNÁMKA: Vždy zvedněte spodní kryt pilového kotouče pomocí rukojeti, abyste zabránili způsobení zranění.

- ☼ Držte spodní kryt pilového kotouče pomocí rukojeti.

⚠ VAROVÁNÍ! Nikdy nevysunujte prsty, držíte-li spodní kryt pilového kotouče za rukojeť. Při vysunutí prstů může dojít k jejich kontaktu s pilovým kotoučem a k následnému vážnému zranění.

- ☼ Opřete přední hranu základny o obrobek a zvedněte zadní část rukojeti tak, aby se pilový kotouč nedotýkal obrobku.
- ☼ Zapněte pilu a počkejte, dokud nedosáhne maximálních otáček.
- ☼ Zaveďte pilu do obrobku a proveďte požadovaný řez.

⚠ VAROVÁNÍ! U ponorných řezů provádějte tyto řezy směrem dopředu.

Řezání směrem dozadu by molo způsobit pohyb pily směrem nahoru po obrobku a zpátky směrem na vás.

- ☼ Uvolněte spouštěcí spínač a počkejte, dokud nedojde k úplnému zastavení pilového kotouče.
- ☼ Zvedněte pilu z obrobku.
- ☼ Pomocí ruční pily nebo mečové pily začistěte rohy.

⚠ VAROVÁNÍ! Nikdy neupevňujte spodní kryt pilového kotouče ve zdvižené poloze. Ponechání odkrytého pilového kotouče by mohlo vést k vážnému zranění.

8. SESTAVENÍ

VYBALENÍ

Tento výrobek musí být sestaven.

- ✿ Opatrně vyjměte výrobek a kompletní příslušenství z krabice. Všechny položky uvedené v části Obsah balení musí být dodány společně s tímto výrobkem.

⚠ VAROVÁNÍ! Položky uvedené v této části Sestavení nejsou namontovány výrobcem a vyžadují montáž provedenou zákazníkem. Použití nesprávně smontovaného výrobku může mít za následek způsobení vážného zranění.

- ✿ Proveďte pečlivou kontrolu výrobku, abyste zjistili, zda během dopravy nedošlo k jejich rozbití nebo poškození.
- ✿ Nevhazujte obalové materiály, dokud tento výrobek pečlivě nekontrolujete a dokud nebude v pořádku používán.

⚠ VAROVÁNÍ! Jsou-li jakékoli díly poškozeny nebo došlo-li k jejich ztrátě, nepoužívejte tento výrobek, dokud nebudou příslušné díly vyměněny. Používání tohoto výrobku s poškozenými nebo scházejícími díly by mohlo vést k způsobení vážného zranění.

⚠ VAROVÁNÍ! Nepokoušejte se upravovat tento výrobek nebo vytvářet příslušenství, která nejsou doporučena pro použití s tímto výrobkem. Každá taková změna nebo úprava je nesprávným použitím a může vést k nebezpečnému stavu, což může mít za následek vážné zranění.

⚠ VAROVÁNÍ! Při montáži dílů vždy vyjměte z tohoto nářadí akumulátor, aby bylo zabráněno jeho náhodnému spuštění, které by mohlo způsobit vážné zranění.

MONTÁŽ PILOVÉHO KOTOUČE

Viz obr. 1, strana 3.

⚠ VAROVÁNÍ! Maximální průměr pilového kotouče na tomto nářadí je 185 mm. Nikdy nepoužívejte pilový kotouč, který má příliš velkou tloušťku, aby bylo umožněno zapadnutí vnější podložky kotouče do plošek na hřídeli. Větší pilové kotouče se dostanou do kontaktu s krytem pilového kotouče, zatímco silnější kotouče zabrání tomu, aby upínací šroub kotouče zajistil kotouč na hřídeli. Kterákoli z těchto situací může vést k způsobení vážného zranění.

- ✿ Vyjměte z pily akumulátor.
- ✿ Vyjměte z úložného prostoru klíč na pilový kotouč (šestihranný klíč 6 mm).
- ✿ Stiskněte tlačítko zajištění hřídele, vyšroubujte upínací šroub pilového kotouče a sejměte vnější podložku pilového kotouče.

POZNÁMKA: Při demontáži otáčejte upínacím šroubem pilového kotouče ve směru pohybu hodinových ručiček.

UPOZORNĚNÍ! Z důvodu zabránění poškození hřídele nebo zajištění hřídele před použitím tlačítka pro zajištění hřídele vždy počkejte, dokud nedojde k úplnému zastavení hřídele pily.

POZNÁMKA: Neuvádějte kotoučovou pilu do chodu, je-li stisknuto tlačítko zajištění hřídele.

- ☼ Naneste kapku oleje na vnitřní a vnější podložku pilového kotouče v místě, kde se dotýkají pilového kotouče.

VAROVÁNÍ! Jestliže byla vnitřní podložka pilového kotouče sejmuta, před umístěním pilového kotouče na hřídel tuto podložku vraťte na původní místo. Nebude-li dodržen tento pokyn, může dojít k způsobení nehody, protože pilový kotouč nebude řádně upevněn.

- ☼ Nasaďte pilový kotouč do ochranného krytu pilového kotouče a na hřídel pily. POZNÁMKA: Zuby pilového kotouče musí na přední části pily směřovat nahoru.
- ☼ Nasaďte zpět vnější podložku pilového kotouče.
- ☼ Stiskněte tlačítko zajištění hřídele a našroubujte upínací šroub pilového kotouče. Provedte řádné utažení upínacího šroubu pilového kotouče otáčením proti směru pohybu hodinových ručiček.
- ☼ Vraťte klíč na pilový kotouč do příslušné úložné místo.

POZNÁMKA: Nikdy nepoužívejte pilový kotouč, který má příliš velkou tloušťku, která by neumožňovala řádné usazení vnější podložky na plošky na hřídeli.

DEMONTÁŽ PILOVÉHO KOTOUČE

Viz obr. 2, strana 3.

- ☼ Vyměňte z pily akumulátor.
- ☼ Vyměňte klíč na pilový kotouč z úložného místa.
- ☼ Nastavte pilu do zobrazené polohy, stiskněte tlačítko zajištění hřídele a vyšroubujte upínací šroub pilového kotouče otáčením ve směru pohybu hodinových ručiček.
- ☼ Sejměte vnější podložku pilového kotouče.
- ☼ Sejměte pilový kotouč.

9. NASTAVENÍ

VAROVÁNÍ! Při provádění nastavení vždy vyjměte z tohoto nářadí akumulátor, aby bylo zabráněno jeho náhodnému spuštění, které by mohlo způsobit vážné zranění.

DORAZ PRO ŠIKMÉ ŘEZY 0°

Viz obr. 20, strana 6.

Tato pila má doraz v poloze 0° pro šikmé řezy, který byl nastaven již ve výrobním závodě, aby byl zajištěn úhel 0° pro rovinu pilového kotouče při provádění řezů v úhlu 90°.

KONTROLA DORAZU PRO ŠIKMÉ ŘEZY 0°

- ☼ Vyměňte z nářadí akumulátor.
- ☼ Položte tuto pilu na pracovní stůl spodní stranou otočenou nahoru.
- ☼ Pomocí truhlářského úhelníku zkontrolujte pravoúhlost roviny pilového kotouče vzhledem k základně pily.

10. PÉČE O ZAŘÍZENÍ

Přetěžování

Nikdy nepoužívejte při řezání nadměrnou sílu. Přílišný tlak snižuje rychlost zařízení a významně snižuje požadovaný výkon. To může způsobit přetížení, které může poškodit motor zařízení. Když je zařízení příliš horké, nechte jej dvě minuty běžet bez zátěže a pak na chvíli přerušte práci. Očistěte zařízení čistým hadříkem a kartáčem. Zkontrolujte, zda nejsou ucpané větrací otvory.

11. ZÁRUKA

Záruční list je platný pouze při předložení společně s nákupní slevenkou. Uložte oba dokumenty na bezpečné místo. Při reklamaci v rámci záruky se prosím obraťte na vašeho prodejce nebo servisní středisko. Záruka platí pro všechny vady produktu a vady vzniklé během záruční doby, které jsou prokazatelně způsobeny vadami materiálu nebo výroby. V takových případech bude produkt opraven a/nebo seřízen. Záruka se netýká standardního opotřebení produktu, stejně jako vad v důsledku přehřátí, použití nevhodného příslušenství nebo nesprávného ovládání produktu.

12. TECHNICKÉ ÚDAJE

Model	FDUK 70305-0	
Jmenovité napětí	20 V	
Otáčky naprázdno	4 300 ot./min	
Rozměry pilového kotouče	φ165 × φ16 mm	
Hloubka řezu	0°	55 mm
	45°	38 mm

Příslušenství

Číslo položky	Příslušenství
FDUZ 79020	Akumulátor 2 Ah
FDUZ 79040	Akumulátor 4 Ah
FDUZ 79100	Rychlá nabíječka
FDUZ 79110	Rychlá dvojíťá nabíječka

13. ŘEŠENÍ PROBLÉMŮ

1. Spoušť je stisknutá, ale zařízení nefunguje: U akumulátorových zařízení musíte připojit dostatečně nabitou baterii. Pokud nebudete akumulátorové zařízení delší dobu používat, baterie se vybijí. Zkuste baterii nabít. Zkontrolujte, zda je baterie správně usazena v nabíječce. Nabíječka se bude během nabíjení zahřívat, to je zcela normální.
2. Z baterie uniká elektrolyt: Za extrémních teplot nebo při extrémní zátěži se může objevit malé množství tekutiny. Pokud se této tekutiny náhodou dotknete, okamžitě si umyjte pokožku nebo oblečení mýdlem a vodou.
3. Baterie se nenabíjí a světlo na nabíječce nesvítí: Pokud se baterie nenabíjí, zkontrolujte, zda je správně usazena v nabíječce a zda svítí indikátor. Pokud nesvítí, zkontrolujte, zda je napájecí zástrčka nabíječky správně připojena do zásuvky. Pokud ano, zkontrolujte pojistku/jistič zásuvky.
4. Tělo zařízení se po delším používání zahřívá: Při normálním zatížení se budou tělo, spoušť a baterie zahřívat, protože energie spotřebovávaná při řezání generuje teplo. To je normální chování. Stačí nechat zařízení několik minut vychladnout.
5. Baterie se během používání zahřívá: Energie dodávaná z baterie generuje teplo. Baterie se nepoškodí, generování tepla při odebrání energie je normální. Pokud chcete baterii ochladit, nechte zařízení před pokračováním v práci několik minut vychladnout.
6. Baterie se během nabíjení zahřívá: To je normální chování, které je důsledkem chemických reakcí v baterii během procesu nabíjení.
7. Nabíjecí jednotka se během nabíjení zahřívá: To je normální chování, které je způsobené snížením napětí z 230 V na 20 V.

14. LIKVIDACE



Toto nářadí, dobíjecí baterie, příslušenství a obaly musí být tříděny, aby byla zajištěna jejich ekologická recyklace.

Nevyhazujte elektrické nářadí a baterie nebo dobíjecí baterie do běžného domácího odpadu!

Pouze pro země Evropské unie:



Podle evropské směrnice 2012/19/EU musí být elektrické nářadí, které již není dále používáno, samostatně vyříděno a zlikvidováno způsobem šetrným k životnímu prostředí. To platí i pro použité akumulátory/baterie, podle evropské směrnice 2006/66/ES.

POKYNY A INFORMACE K LIKVIDACI VYŘAZENÝCH OBALOVÝCH MATERIÁLŮ

Odevzdejte veškerý použitý obalový materiál na místě, které je určeno místními úřady pro likvidaci odpadu.

LIKVIDACE VYŘAZENÝCH ELEKTRICKÝCH A ELEKTRONICKÝCH ZAŘÍZENÍ



Tento symbol na produktech nebo v přiložené dokumentaci znamená, že vyřazené elektrické nebo elektronické produkty nesmí být vyhazovány do běžného komunálního odpadu. Odevzdejte tyto produkty na určených sběrných místech, kde bude provedena jejich správná likvidace, obnovení a recyklace. V některých státech Evropské unie nebo v některých evropských zemích můžete při nákupu odpovídajícího nového produktu vrátit vaše produkty místnímu prodejci. Správnou likvidací tohoto produktu pomáháte chránit cenné přírodní zdroje a zabráníte možným negativním dopadům na životní prostředí a lidské zdraví, ke kterým by mohlo dojít v důsledku nesprávné likvidace odpadu. Další podrobnosti vám poskytnou místní úřady nebo nejbližší sběrný dvůr. V případě nesprávné likvidace tohoto druhu odpadu mohou být uloženy pokuty v souladu s platnými národními předpisy.

Pro společnosti v zemích Evropské unie

Chcete-li zlikvidovat elektrická nebo elektronická zařízení, vyžádejte si potřebné informace od vašeho prodejce nebo dodavatele. Likvidace v zemích mimo Evropskou unii. Chcete-li tento výrobek zlikvidovat, požádejte místní úřady nebo prodejce o nezbytné informace o způsobu likvidace.



Tento výrobek splňuje všechny základní požadavky všech příslušných směrnic EU.

Text, design a technické specifikace se mohou změnit bez předchozího upozornění a vyhrazujeme si právo na provádění těchto změn.

Uživatelské příručka v originálním jazyce.

Akumulátorová kotúčová píla

POUŽÍVATEĽSKÁ PRÍRUČKA

Ďakujeme vám za kúpu tejto akumulátorovej kotúčovej píly FIELDMANN. Pred jej použitím si, prosím, pozorne prečítajte túto používateľskú príručku a uschovajte ju na prípadné neskoršie použitie.

OBSAH

1. BEZPEČNOSTNÉ POKYNY	44
2. SYMBOLY	45
3. OPIS NÁRADIA A DODANÉ POLOŽKY	46
4. VŠEOBECNÉ BEZPEČNOSTNÉ POKYNY.....	47
5. ŠPECIFICKÉ BEZPEČNOSTNÉ POKYNY	49
6. OCHRANA SLUCHU.....	50
7. POUŽITIE	50
8. ZOSTAVENIE	55
9. NASTAVENIE.....	56
10. STAROSTLIVOSŤ O ZARIADENIE.....	57
11. ZÁRUKA.....	57
12. TECHNICKÉ ÚDAJE.....	57
13. RIEŠENIE PROBLÉMOV	58
14. LIKVIDÁCIA.....	59

1. BEZPEČNOSTNÉ POKYNY

VAROVANIE!

Pred použitím tohto výrobku si pozorne prečítajte tento návod.

Dôležité bezpečnostné upozornenia

- ✿ Výrobok opatrne vybalte a skontrolujte, či balenie obsahovalo všetky súčasti výrobku; dbajte na to, aby ste žiadnu z týchto súčastí nestratili.
- ✿ Uložte tento výrobok na suchom mieste mimo dosahu detí.
- ✿ Prečítajte si všetky upozornenia a všetky pokyny. V prípade nedodržania upozornenia a pokynov hrozí nebezpečenstvo nehody, požiaru a/alebo vážneho zranenia.

Balenie

Tento výrobok je umiestnený v obale, ktorý zabraňuje jeho poškodeniu počas prepravy. Tento obal predstavuje opätovne využiteľnú surovinu, a preto ho môžete odovzdať na recykláciu.

Pokyny na používanie

Pred začatím práce s týmto náradím si prečítajte nasledujúce bezpečnostné pravidlá a pokyny na používanie. Dôkladne sa oboznámte s ovládacími prvkami zariadenia a so správnym spôsobom jeho používania. Uložte tento návod na bezpečné miesto na neskoršie použitie. Odporúčame vám, aby ste si aspoň počas platnosti záruky uschovali originálny obal vrátane vnútorných baliacich materiálov, pokladničný odklad a záručný list. V prípade prepravy zabalte toto náradie do originálneho obalu od výrobcu, aby bola zaistená maximálna ochrana výrobku počas prepravy (napríklad odvoz alebo odoslanie do servisného strediska).

Poznámka:

Ak budete toto náradie odovzdávať ďalšiemu používateľovi, priložte k nemu aj tento návod. Dodržiavanie pokynov na používanie uvedených v priloženom návode je nevyhnutným predpokladom správneho používania zariadenia. Návod na obsluhu obsahuje okrem pokynov na obsluhu aj pokyny na vykonávanie údržby a opráv.

Výrobca nenesie žiadnu zodpovednosť za nehody alebo škody vzniknuté v dôsledku nedodržiavania pokynov v tomto návode.

2. SYMBOLY



Tento výrobok spĺňa požiadavky platných noriem a predpisov.



Pred použitím tohto náradia si pozorne prečítajte návod na použitie.



Používajte ochranu zraku



Používajte ochranu sluchu



Laser AC: nebezpečenstvo zranenia – nepozerajte sa priamo do lúča

3. OPIS NÁRADIA A DODANÉ POLOŽKY

Opis náradia (pozrite stranu 3)

- A. Odisfovacie tlačidlo
- B. Spúšťači spínač
- C. Uloženie kľúča na kotúč
- D. Zaisťovacia páka hĺbky rezu
- E. Meradlo šírky rezu
- F. Upínacia skrutka šikmých rezov
- G. Pracovné svietidlo

Dodané položky

Vyberte všetok obsah škatule a skontrolujte, či nedošlo počas prepravy k nejakému poškodeniu a či máte k dispozícii všetky nižšie uvedené položky.

- Kotúčová píla
- Paralelné vodidlo
- 1 pílový kotúč
- Záručný list
- Návod na obsluhu

Ak niektoré komponenty chýbajú alebo sú poškodené, kontaktujte predajcu zariadenia.

4. VŠEOBECNÉ BEZPEČNOSTNÉ POKYNY

Tieto bezpečnostné pokyny si starostlivo preštudujte, zapamätajte a uschovajte.

⚠ UPOZORNENIE!

Pri používaní elektrických strojov a elektrického náradia je nutné rešpektovať a dodržiavať nasledujúce bezpečnostné pokyny z dôvodu ochrany pred úrazom elektrickým prúdom, zranením osôb a nebezpečím vzniku požiaru. Výrazom „elektrické náradie“ je vo všetkých nižšie uvedených pokynoch myslené nielen náradie napájané z elektrickej siete (napájacím káblom) ale i náradie napájanie z akumulátora. (bez napájacieho kábla). Odložte všetky varovania a pokyny pre budúce použitie.

Pracovné prostredie

- ☼ Udržujte pracovný priestor v čistom stave a dobre osvetlený. Neporiadok a tmavé miesta na pracovisku bývajú príčinou úrazov. Odložte náradie, ktoré práve nepoužívate.
- ☼ Nepoužívajte elektrické náradie v prostredí s nebezpečenstvom vzniku požiaru alebo výbuchu, to znamená v miestach, kde sa vyskytujú horľavé kvapaliny, plyny alebo prach. V elektrickom náradí vznikajú iskry, ktoré môžu byť príčinou vznietenia prachu alebo výparov.
- ☼ Zabráňte zvieratám prístup k náradu.
- ☼ Pri používaní el. náradia zabráňte prístupu nepovolanych osôb do pracovného priestoru, najmä detí. Ak budete vyrušovaní, môžete stratiť kontrolu nad pracovnou činnosťou. V žiadnom prípade nenechávajte el. náradie bez dohľadu.

Elektrická bezpečnosť

- ☼ Vidlica napájacieho kábla elektrického náradia musí zodpovedať sieťovej zásuvke. Nikdy akýmkoľvek spôsobom neupravujte el. prírodný kábel. Náradie, ktoré má na vidlici prírodnej šnúry ochranný kolík, nikdy nepripájajte rozdvojkami alebo inými adaptémi. Nepoškodené vidlice a zodpovedajúce zásuvky znížia nebezpečenstvo úrazu elektrickým prúdom. Poškodené alebo zamotané prírodné káble zvyšujú nebezpečenstvo úrazu elektrickým prúdom. Ak sa sieťová šnúra poškodí, musí sa nahradit osobitou sieťovou šnúrou, ktorú možno dostať u výrobcu alebo jeho obchodného zástupcu.
- ☼ Vyvarujte sa dotyku tela s uzemnenými plochami, ako napr. potrubné systémy, telesá ústredného kúrenia, šporáky a chladničky.
- ☼ Nebezpečenstvo úrazu elektrickým prúdom je väčšie, ak je Vaše telo spojené so zemou.
- ☼ Nevystavujte elektrické náradie dažďu, vlhku alebo vode. Elektrického náradia sa nikdy nedotýkajte mokrymi rukami. Elektrické náradie nikdy neumývajte pod tečúcou vodou ani ho neponárajte do vody.
- ☼ Nepoužívajte napájací kábel k inému účelu, než pre aký je určený. Nikdy nenoste a neťahajte elektrické náradie za napájací kábel. Nevyťahujte vidlicu zo zásuvky ťahom za kábel. Zabráňte mechanickému poškodeniu elektrických káblov ostrím alebo horúcim predmetom.
- ☼ El. náradie bolo vyrobené výlučne pre napájanie striedavým el. prúdom. Vždy skontrolujte, či el. napätie zodpovedá údaju uvedenému na typovom štítku.
- ☼ Nikdy nepracujte s náradím, ktoré má poškodený el. kábel príp. vidlicu, alebo spadlo na zem a je akýmkoľvek spôsobom poškodené.
- ☼ V prípade použitia predlžovacieho kábla vždy skontrolujte či jeho technické parametre odpovedajú údajom uvedením na typovom štítku náradia.
- ☼ Ak je elektrické náradie používané vonku, používajte predlžovací kábel vhodný pre vonkajšie použitie. Pri použití predlžovacích bubnov je potrebné ich rozvinúť, aby nedochádzalo k ich prehriatiu. Ak je elektrické náradie používané vo vlhkých priestoroch alebo vonku je povolené používať ho iba ak je zapojené do el. obvodu s prúdovým chráničom ≤ 30 mA. Použitie el. obvodu s chráničom /RCD/ znižuje riziko úrazu elektrickým prúdom.

- ☛ Držte el. ručné náradie výlučne za izolované plochy určené na uchopenie, pretože pri prevádzke môže dôjsť ku kontaktu rezacieho či vŕtacieho príslušenstva so skrytým vodičom alebo vlastnou šnúrou.

Bezpečnosť osôb

- ☛ Pri používaní elektrického náradia buďte pozorní a ostražití, venujte maximálnu pozornosť činnosti, ktorú práve prevádzate. Sústreďte sa na prácu. Nepracujte s elektrickým náradím ak ste unavení, alebo ste pod vplyvom drog, alkoholu alebo liekov. Aj chvíľková nepozornosť pri používaní elektrického náradia môže viesť k vážnemu poraneniu osôb. Pri práci s el. náradím nejedzte, nepite a nefajčíte.
- ☛ Používajte ochranné pomôcky. Vždy používajte ochranu očí. Používajte ochranné prostriedky odpovedajúce druhu práce, ktorú prevádzate. Ochranné pomôcky ako napr. respirátor, bezpečnostná obuv s protišmykovou úpravou, pokrývka hlavy alebo ochrana sluchu, používané v súlade s podmienkami práce, znižujú riziko poranenia osôb.
- ☛ Vyvarujte sa neúmyselnému zapnutiu el. náradia. Neprenášajte el. náradie, ktoré je pripojené k elektrickej sieti, s prstom na vypínači alebo na spúšti. Pred pripojením k elektrickému napätiu sa uistite, či vypínač alebo spúšť sú v polohe „vypnuté“. Prenášanie el. náradia s prstom na vypínači alebo pripájanie vidlice el. náradia do zásuvky zo zapnutým vypínačom môže byť príčinou vážnych úrazov.
- ☛ Pred zapnutím el. náradia odstráňte všetky nastavovacie kľúče a nástroje. Nastavovací kľúč alebo nástroj, ktorý zostane pripevnený k otáčajúcej sa časti elektrického náradia môže byť príčinou poranenia osôb.
- ☛ Vždy udržiavajte stabilný postoj a rovnováhu. Pracujte len tam, kam bezpečne dosiahnete. Nikdy neprečehujte vlastnú silu. Nepoužívajte elektrické náradie, ak ste unavení.
- ☛ Obliekajte sa vhodným spôsobom. Používajte pracovné oblečenie. Nenoste voľné oblečenie ani šperky. Dbajte na to, aby sa vaše vlasy, oblečenie, rukavice alebo iná časť Vášho tela nedostala do prílišnej blízkosti rotujúcich alebo rozpálených častí el. náradia.
- ☛ Pripojte el. náradie k odsávaniu prachu. Ak má el. náradie možnosť pripojenia zariadenia na zachytávanie alebo odsávanie prachu, uistite sa, že došlo k jeho riadnemu pripojeniu a používaniu. Použitie takýchto zariadení môže obmedziť nebezpečenstvo vznikajúce prachom.
- ☛ Pevne upevnite obrobok. Použite stolársku svorku alebo zverák pre upevnenie obrobku, ktorý budete obrábať.
- ☛ Nepoužívajte akékoľvek náradie ak ste pod vplyvom alkoholu, drog, liekov alebo inýchomamných či návykových látok.
- ☛ Toto zariadenie nie je určené na použitie osobami (vrátane detí) so zníženými fyzickými, zmyslovými alebo mentálnymi schopnosťami alebo s nedostatkom skúseností a znalostí, pokiaľ nie sú pod dozorom alebo nedostali pokyny ohľadom použitia zariadenia od osoby zodpovednej za ich bezpečnosť. Deti musia byť pod dozorom, aby ste sa uistili, že sa nehrajú so zariadením.

Používanie akumulátorového náradia

- ☛ Pred vložením akumulátora sa uistite, že je vypínač v polohe „0-vypnuté“. Vloženie akumulátora do zapnutého náradia môže byť príčinou nebezpečných situácií.
- ☛ K nabíjaniu akumulátora používajte len nabíjačky predpísané výrobcom. Použitie nabíjačky pre iný typ akumulátora môže mať za následok jeho poškodenie a vznik požiaru.
- ☛ Používajte iba akumulátory určené pre dané náradie. Použitie iných akumulátorov môže byť príčinou úrazu alebo vzniku požiaru.
- ☛ Ak nie je akumulátor používaný, uschovávajte ho oddelene od kovových predmetov ako sú svorky, kľúče, skrutky a iné drobné kovové predmety, ktoré by mohli spôsobiť spojenie jedného kontaktu akumulátora s druhým. Vyskratovanie akumulátora môže zapríčiniť úraz, popálenie alebo vznik požiaru.

- ☼ S akumulátormi zaobchádzajte šetrne. Pri nešetrnom zaobchádzaní môže z akumulátoru uniknúť chemická látka. Vyvarujte sa kontaktu s ňou. Ak predsa dôjde ku kontaktu s touto chemickou látkou, vymyte postihnuté miesto prúdom tečúcej vody. Ak sa chemická látka dostane do očí, vyhľadajte ihneď lekársku pomoc. Chemická látka z akumulátoru môže spôsobiť vážne poranenie.

Servis

- ☼ Nevymieňajte časti náradia, neprevádzkajte sami opravy, ani iným spôsobom nezasahujte do konštrukcie náradia. Opravy náradia zverte kvalifikovaným osobám.
- ☼ Každá oprava alebo úprava výrobku bez oprávnenia našej spoločnosti je neprípustná (môže spôsobiť úraz, alebo škodu užívateľovi).
- ☼ Elektrické náradie vždy nechajte opraviť v certifikovanom servisnom stredisku. Používajte iba originálne alebo doporučené náhradné diely. Zaisťte tak bezpečnosť Vás i Vášho náradia.

5. ŠPECIFICKÉ BEZPEČNOSTNÉ POKYNY

⚠ POZOR! Pred použitím si prosím pozorne prečítajte tieto bezpečnostné pokyny a starostlivo ich uschovajte.

- ☼ Uistite sa, že napäťová hladina napájacej siete zodpovedá údajom na typovom štítku náradia.
- ☼ Píla je vybavená dvojpólovým káblom a zástrčkou!
- ☼ Pri práci používajte ochranné okuliare a v prípade tvorby prachu pri rezaní alebo vŕtaní aj respirátor. Pri dlhšej práci s náradím alebo pri veľkej hlučnosti používajte vhodnú ochranu sluchu.
- ☼ Ak je píla vybavená prípojkami na vysávač alebo zberač prachu, potom tieto zariadenia pri prevádzke píly skutočne používajte. Vrečko vo vysávači alebo zberači pravidelne vymieňajte.
- ☼ Obrábaný kus si pred začatím práce upevnite do zveráka alebo čelustí. Tento postup je bezpečnejší, než keď budete obrobok iba pridržovať rukou, a navyše budete mať obe ruky voľné na ovládanie náradia.
- ☼ Napájací kábel náradia uložte pri práci tak, aby sa o neho nedalo zakopnúť, šliafnuť na neho alebo položiť na neho ťažké bremeno. Uistite sa, že počas práce nedôjde k poškodeniu kábla.
- ☼ V prípade nedodržania pokynov uvedených v tejto príručke, hrozí riziko úrazu.
- ☼ Šablónová píla zodpovedá platným technickým predpisom a normám.
- ☼ Pri práci so šablónovou pílou musí byť ochranný kryt vždy zasunutý dole.
- ☼ Pravidelne kontrolujte obe skrutky na držiaku pílového listu.
- ☼ Nepoužívajte poškodené alebo opotrebované pílové listy.
- ☼ Pravidelne kontrolujte nastavenie vodiace kladky.
- ☼ Nespúšťajte pílu, ak je pílový list zasunutý v obrobku.
- ☼ Nikdy nepretěžujte pílu natolik, aby sa motor zastavil.
- ☼ Nikdy sa nesnažte zastaviť pohyb pílového listu, ani keď je motor už vypnutý.
- ☼ Pílový list sa sám veľmi rýchlo vysunie. Zuby listu sú veľmi ostré.
- ☼ Pílu nikdy nemierťe na iné osoby.
- ☼ Používajte ochranné prostriedky proti hluku, prachu a vibráciám!!!

⚠ POZOR! Tieto bezpečnostné pokyny uschovajte!!!

6. OCHRANA SLUCHU

- ⚠ POZOR!** V prípade, že hodnota akustického tlaku prekročí 90,2 dB (A), použite vhodnú ochranu sluchu. Zabráňte tak poškodeniu svojho sluchu!

7. POUŽITIE

- ⚠ VAROVANIE!** Zabráňte tomu, aby znalosť tohto výrobku spôsobila vašu neopatrnosť. Pamätajte si, že chvíľková nepozornosť pri práci stačí na spôsobenie vážneho zranenia.
- ⚠ VAROVANIE!** Vždy používajte ochranu zraku s bočnými krytmi označenými tak, aby spĺňali požiadavky normy ANSI Z87.1. Pri nedodržaní tohto pokynu môže dôjsť k zasiahnutiu vašich očí vymršteným predmetom alebo k inému vážnemu zraneniu.
- ⚠ VAROVANIE!** Nepoužívajte žiadne doplnky alebo príslušenstvo, ktoré neodporúča výrobca tohto výrobku. Použitie neodporúčaných doplnkov alebo príslušenstva môže viesť k spôsobeniu vážneho zranenia.
- ⚠ VAROVANIE!** Nikdy s touto pilou nepoužívajte rozbrusovacie kotúče akéhokoľvek druhu. Použitie kotúčov, ktoré nie sú určené na rezanie dreva, môže mať za následok poškodenie majetku alebo vážne zranenie.

APLIKÁCIA

Tento výrobok sa môže použiť na nižšie uvedené účely:

- ✿ Rezanie všetkých typov drevených výrobkov (rezivo, preglejka, obklady, kompozitné dosky a tvrdé drevo)

VLOŽENIE/VYBRATIE AKUMULÁTORA

Pozrite obr. 3, strana 3.

- ✿ Vložte akumulátor do náradia ako na uvedenom obrázku.
- ✿ Pred začatím práce sa uistite, či obe západky po oboch stranách akumulátora zaskočili na určené miesto a či je akumulátor riadne zaistený.
- ✿ Stlačte západky, aby bolo umožnené vybratie akumulátora.

Kompletné pokyny týkajúce sa nabíjania nájdete v príručkách pre akumulátor a nabíjačku.

- ⚠ VAROVANIE!** Akumulátorové náradie je vždy v prevádzkovom stave. Preto by mal byť spínač vždy zaistený, ak náradie nepoužívate alebo ak prenášate náradie pri boku.

SPÄTNÝ RÁZ

Pozrite obr. 4 – 7, strana 4.

K spätnému rázu dôjde v situácii, keď sa kotúč píly rýchlo zastaví a píla sa začne pohybovať späť smerom na vás. Zablockovanie kotúča je spôsobené akoukoľvek činnosťou, pri ktorej dôjde k uviaznutiu pilového kotúča v dreve.

- ⚠ NEBEZPEČENSTVO!** Ak dôjde k zaseknutiu alebo zablockovaniu kotúča, ihneď uvoľnite spínač píly. Spätný ráz môže spôsobiť stratu vašej kontroly nad pilou. Strata kontroly nad náradím môže viesť k spôsobeniu vážneho zranenia.

Ak sa chcete chrániť pred spätným rázom, vyvarujte sa nasledujúcich nebezpečných postupov:

- ✿ Nesprávne nastavenie hĺbky pílového kotúča.
- ✿ Rezanie do hrčí alebo klincov v obrobku.
- ✿ Krútenie pílového kotúča pri rezaní.
- ✿ Vytváranie rezu pomocou tupého, polepeného alebo nesprávne nastaveného pílového kotúča.
- ✿ Nesprávne podoprenie obrobku.
- ✿ Pôsobenie sily na pílový kotúč.
- ✿ Rezanie deformovaného alebo vlhkého reziva.
- ✿ Nesprávne použitie náradia alebo zlé zaobchádzanie s náradím.

Ak chcete zabrániť vzniku spätného rázu, dodržujte tieto bezpečnostné postupy:

- ✿ Udržujte pílový kotúč v správne nastavenej hĺbke. Táto nastavená hĺbka nesmie presiahnuť 6,5 mm pod rezaným materiálom.
- ✿ Pred začatím rezu skontrolujte obrobok, či sa v ňom nenachádzajú hrče alebo klince. Nikdy nerežte do hrče alebo klinca.
- ✿ Vykonávajte priame rezy. Pri vykonávaní pozdĺžnych rezov používajte priame hranové vodidlo. To pomáha pri zabránení krúteniu pílového kotúča.
- ✿ Používajte čisté, nabrúsené a riadne nastavené pílové kotúče. Nikdy nerežte s tupými pílovými kotúčmi.
- ✿ Pred začatím rezu podprite riadne obrobok.
- ✿ Pri rezaní používajte stály a rovnomerný tlak. Nikdy nerežte silou.
- ✿ Nerežte deformované alebo vlhké rezivo.
- ✿ Držte túto pílu pevne oboma rukami a udržujte stabilný postoj, aby ste v prípade nutnosti odolali silám spätného rázu.

⚠ VAROVANIE!

Pri použití tejto píly dávajte vždy pozor a kontrolujte vykonávanú prácu. Nevyberajte túto pílu z obrobku, ak je pílový kotúč v pohybe.

PÍLOVÉ KOTÚČE

Aj tie najlepšie pílové kotúče nebudú rezať efektívne, ak sa nebudú udržiavať v čistote, ak nebudú nabrúsené alebo ak budú zle nastavené. Pri použití tupého pílového kotúča sa bude na túto pílu prenášať veľké zaťaženie a bude zvýšené riziko spätného rázu. Majte vždy pripravené aj ďalšie pílové kotúče tak, aby boli rýchlo k dispozícii.

Živica a smola, ktorá zatvrdla na pílovom kotúči, bude pílu spomaľovať. Vyberte pílový kotúč z píly a odstráňte tieto usadeniny pomocou odstraňovača živice a smoly, horúcej vody alebo petroleja.

NEPOUŽÍVAJTE BENZÍN.

OCHRANNÝ SYSTÉM PÍLOVÉHO KOTÚČA

Pozrite obr. 8, strana 4.

Spodný kryt kotúča pripevnený k tejto kotúčovej píle sa používa na vašu ochranu a bezpečnosť. Nikdy ho zo žiadneho dôvodu neopravujte. Ak dôjde k jeho poškodeniu, nepoužívajte túto pílu, kým nedôjde k oprave alebo výmene tohto krytu. Pri práci s touto pílou nechávajte tento kryt vždy v pracovnej polohe.

- ⚠ **NEBEZPEČENSTVO!** Pri rezaní cez obrobok spodný kryt pílového kotúča nezakrýva kotúč na spodnej strane obrobku. Pretože nie je pílový kotúč na spodnej strane obrobku zakrytý, udržiavajte ruky a prsty v bezpečnej vzdialenosti od miesta rezu. Ak sa dostane akákoľvek časť vášho tela do kontaktu s pohybujúcim sa pílovým kotúčom, dôjde k vážnemu zraneniu.

⚠ POZOR! Nikdy nepoužívajte túto pílu, ak nepracuje tento kryt správne. Pred každým použitím píly skontrolujte správnu funkciu tohto krytu. Tento kryt pracuje správne, ak sa voľne pohybuje a ak sa automaticky vracia do uzatvorenej polohy. Ak dôjde k pádu vašej píly, pred opätovným použitím píly skontrolujte pri nastavení všetkých hĺbok rezu spodný kryt pílového kotúča a doraz, či nedošlo k ich poškodeniu.

SPUSTENIE/ZASTAVENIE PÍLY

Pozrite obr. 9, strana 4.

Táto píla je vybavená pracovným svetidlom, ktoré sa rozsvieti pri stlačení spúšťacieho spínača a vypne sa pri uvoľnení spúšťacieho spínača.

Spustenie píly:

- ✿ Stlačte odisťovacie tlačidlo.
- ✿ Stlačte spúšťací spínač.

Vždy nechajte pílu dosiahnuť maximálne otáčky, a potom pílu zavedte do obrobku.

⚠ VAROVANIE! Kontakt pílového kotúča s obrobkom, kým pílový kotúč ešte nedosiahol maximálne otáčky, by mohol spôsobiť spätný ráz a odhodenie píly dozadu smerom na vás, čo by mohlo viesť k spôsobeniu vážneho zranenia.

Zastavenie píly: uvoľnite spúšťací spínač.

Hneď ako uvoľníte spúšťací spínač, počkajte, kým nedôjde k úplnému zastaveniu pílového kotúča. Nevyberajte túto pílu z obrobku, ak je pílový kotúč v pohybe.

ODISŤOVACIE TLAČIDLO

Pozrite obr. 9, strana 4.

Toto odisťovacie tlačidlo obmedzuje možnosť náhodného spustenia. Toto odisťovacie tlačidlo je umiestnené na rukoväti nad spúšťacím spínačom. Toto odisťovacie tlačidlo musí byť stlačené pred stlačením spúšťacieho spínača. Poisťka bude resetovaná po každom stlačení spúšťacieho spínača.

POZNÁMKA: Toto odisťovacie tlačidlo môže byť stlačené z ľavej aj z pravej strany.

NASTAVENIE HĽBKY PÍLOVÉHO KOTÚČA

Pozrite obr. 10, strana 4.

Vždy správne nastavujte hĺbku pílového kotúča. Táto správne nastavená hĺbka pre všetky rezy nesmie presiahnuť výšku 6,5 mm pod rezaným materiálom. Vyššia hĺbka pílového kotúča bude zvyšovať pravdepodobnosť spôsobenia spätného rázu a spôsobí väčšiu hrubosť povrchu rezu. Na zvýšenie presnosti rezu je na hornom kryte pílového kotúča umiestnené meradlo.

- ✿ Povoľte upínaciu páku hĺbky zdvihnutím smerom hore a preč od základne.
- ✿ Určte požadovanú hĺbku rezu.
- ✿ Použite meradlo hĺbky rezu, ktoré sa nachádza na zadnej časti horného krytu pílového kotúča.
- ✿ Držte základňu rovnobežne vzhľadom na obrobok a zdvíhajte alebo spúšťajte pílu, kým sa indikačná značka na držiaku nezarovná so zárezom na kryte pílového kotúča.
- ✿ Utiahnite riadne upínaciu páku hĺbky rezu stlačením tejto páky smerom dole a k základni.

⚠ NEBEZPEČENSTVO! OVLÁDANIE PÍLY

Pozrite obr. 11 – 13, strana 5.

VAROVANIE! Vždy dbajte na to, aby ste mali kontrolu nad pilou, aby bolo rezanie jednoduchšie a bezpečnejšie. Strata kontroly nad pilou by mohla viesť k spôsobeniu nehody a k následnému vážnemu zraneniu.

Ak chcete dosiahnuť najvyššiu kvalitu rezov, dodržujte tieto užitočné pokyny.

- ✿ Držte túto pílu pevne oboma rukami.
- ✿ Pri rezaní sa vyvarujte ukladania rúk na obrobok.
- ✿ Podprite obrobok tak, aby sa rez nachádzal vždy na vašej strane.
- ✿ Podprite obrobok v blízkosti rezu.
- ✿ Upevnite obrobok pomocou svoriek alebo iným praktickým spôsobom tak, aby sa obrobok počas rezu nepohyboval.
- ✿ Vždy ukladajte pílu na obrobok, ktorý je riadne podopretý, neodrezávajúce kúsky obrobku.
- ✿ Ukladajte obrobok tak, aby bola jeho lepšia strana dole.
- ✿ Pred začatím rezu si nakreslite vodiacu čiaru pozdĺž požadovanej čiaru rezu.

PRIEČNE REZY A POZDĹŽNE REZY

Pozrite obr. 14, strana 5.

Pri vykonávaní priameho priečného rezu alebo pozdĺžneho rezu zarovnajte čiaru rezu so zárezom 00 na vodidle pilového kotúča na základni.

Pretože sa hrúbka pilových kotúčov líši, vždy urobte pozdĺž vodiidla skúšobný rez na odpadovom materiáli, aby ste určili, aký veľký presah musí mať vodidlo, ak je tento presah nutný, aby ste dosiahli presný rez.

POZNÁMKA: Vzdialenosť od čiaru rezu k vodidlu je hodnota, akú musí mať presah tohto vodiča.

POZDĹŽNE REZY

Pozrite obr. 15, strana 5.

Pri vykonávaní dlhých alebo širokých pozdĺžnych rezov s touto pilou používajte vodidlo.

- ✿ Upnite obrobok.
- ✿ Upnite k obrobku rovnú lištu pomocou svoriek v tvare C.
- ✿ Režte pozdĺž tejto lišty, aby ste dosiahli priamy pozdĺžny rez.

POZNÁMKA: Vyvarujte sa uviaznutia pilového kotúča v reze.

MERADLO ŠÍRKY REZU

Pozrite obr. 16, strana 5.

Meradlo šírky rezu je umiestnené na základni tejto píly. Pri vykonávaní priamych priečných rezov alebo pozdĺžnych rezov sa môže toto meradlo použiť na nastavenie až do hodnoty 115 mm na pravej strane pilového kotúča a až do hodnoty 25 mm na ľavej strane pilového kotúča.

ŠIKMÉ REZY

Pozrite obr. 17 – 18, strana 5 – 6.

- ✿ Nastavte uhol šikmého rezu na požadované nastavenie medzi hodnotami nula a 56°. Pozrite nasledujúcu časť Nastavenie uhla šikmého rezu.
- ✿ Pri vykonávaní šikmého rezu v uhle 45° zarovnajte čiaru rezu so zárezom 45° na vodidle pilového kotúča na základni.
- ✿ Urobte skúšobný rez na odpadovom materiáli, aby ste určili, aký veľký presah musí mať vodidlo.

NASTAVENIE UHLA ŠIKMÉHO REZU

Pozrite obr. 18, strana 6.

- ✿ Povoľte upínaciu skrutku pre šikmé rezy.
- ✿ Zdvíhajte časť píly s motorom, kým na meradle uhla šikmých rezov nedosiahnete nastavenie požadovanej hodnoty uhla.
- ✿ Uťahnite upínaciu skrutku pre šikmé rezy.

⚠ VAROVANIE! Vykonávanie šikmého rezu bez riadneho utiahnutia upínacej skrutky pre šikmé rezy môže viesť k spôsobeniu vážneho zranenia.

POZNÁMKA: Pri šikmých rezoch s uhlom 56° alebo s väčším uhlom presuňte upínaciu skrutku pre šikmé rezy do drážky v polohe 56° vyznačenej na meradle pre šikmé rezy, a bezpečne túto upínaciu skrutku utiahnite.

VYKONÁVANIE ŠIKMÉHO REZU

Pozrite obr. 18, strana 6.

- ✿ Držte túto pílu pevne oboma rukami ako na uvedenom obrázku.
- ✿ Oprite prednú hranu základne o obrobok.
- ✿ Zapnite pílu a počkajte, kým nedosiahne maximálne otáčky.
- ✿ Zavedte pílu do obrobku a vykonajte požadovaný rez.
- ✿ Uvoľnite spúšťač spínača a počkajte, kým nedôjde k úplnému zastaveniu pilového kotúča.
- ✿ Zdvihnite pílu z obrobku.

Pozrite obr. 19, strana 16.

PONORNÉ REZY

⚠ VAROVANIE! Pred vykonávaním ponorného rezu nastavte uhol šikmého rezu vždy na nulu. Ak sa pokúsite robiť ponorný rez s iným nastavením, môže dôjsť k strate kontroly nad pílu a k možnému spôsobeniu vážneho zranenia.

- ✿ Nastavte uhol šikmého rezu na nulu.
- ✿ Nastavte pilový kotúč na správnu hĺbku rezu.
- ✿ Pomocou príslušnej rukoväti otočte spodný kryt pilového kotúča nahor.

POZNÁMKA: Vždy zdvíhajte spodný kryt pilového kotúča pomocou rukoväti, aby ste zabránili spôsobeniu zranenia.

- ✿ Držte spodný kryt pilového kotúča pomocou rukoväti.

⚠ VAROVANIE! Nikdy nevysúvajte prsty, ak držíte spodný kryt pilového kotúča za rukoväť. Pri vysunutí prstov môže dôjsť k ich kontaktu s pilovým kotúčom a k následnému vážnemu zraneniu.

- ✿ Oprite prednú hranu základne o obrobok a zdvihnite zadnú časť rukoväti tak, aby sa pilový kotúč nedotýkal obrobku.
- ✿ Zapnite pílu a počkajte, kým nedosiahne maximálne otáčky.
- ✿ Zavedte pílu do obrobku a vykonajte požadovaný rez.

⚠ VAROVANIE! Pri ponorných rezoch vykonávajte tieto rezy smerom dopredu.

Rezanie smerom dozadu by mohlo spôsobiť pohyb píly smerom hore po obrobku a späť smerom na vás.

- ✿ Uvoľnite spúšťač spínača a počkajte, kým nedôjde k úplnému zastaveniu pilového kotúča.
- ✿ Zdvihnite pílu z obrobku.

- ☼ Pomocou ručnej píly alebo mečovej píly začistite rohy.

VAROVANIE! Nikdy neupevňujte spodný kryt pílového kotúča vo zdvihnutej polohe. Ponechanie odkrytého pílového kotúča by mohlo viesť k vážnemu zraneniu.

8. ZOSTAVENIE

VYBALENIE

Tento výrobok musí byť zostavený.

- ☼ Opatrne vyberte výrobok a kompletne príslušenstvo zo škatule. Všetky položky uvedené v časti Obsah balenia musia byť dodané spolu s týmto výrobkom.

VAROVANIE! Položky uvedené v tejto časti Zostavenie nie sú namontované výrobcom a vyžadujú montáž vykonanú zákazníkom. Použitie nesprávne zmontovaného výrobku môže mať za následok spôsobenie vážneho zranenia.

- ☼ Vykonajte dôkladnú kontrolu výrobku, aby ste zistili, či počas dopravy nedošlo k ich rozbitiu alebo poškodeniu.
- ☼ Nevyhadzujte obalové materiály, kým tento výrobok starostlivo neskontrolujete a kým sa nebude riadne používať.

VAROVANIE! Ak sú akékoľvek diely poškodené alebo ak došlo k ich strate, nepoužívajte tento výrobok, kým sa príslušné diely nevymenia. Používanie tohto výrobku s poškodenými alebo chýbajúcimi dielmi by mohlo viesť k spôsobeniu vážneho zranenia.

VAROVANIE! Nepokúšajte sa upravovať tento výrobok alebo vytvárať príslušenstvo, ktoré sa neodporúča na použitie s týmto výrobkom. Každá takáto zmena alebo úprava je nesprávnym použitím a môže viesť k nebezpečnému stavu, čo môže mať za následok vážne zranenie.

VAROVANIE! Pri montáži dielov vždy vyberte z tohto náradia akumulátor, aby sa zabránilo jeho náhodnému spusteniu, ktoré by mohlo spôsobiť vážne zranenie.

MONTÁŽ PÍLOVÉHO KOTÚČA

Pozrite obr. 1, strana 3.

VAROVANIE! Maximálny priemer pílového kotúča na tomto náradí je 185 mm. Nikdy nepoužívajte pílový kotúč, ktorý má príliš veľkú hrúbku, aby bolo umožnené zapadnutie vonkajšej podložky kotúča do plôšok na hriadeľi. Väčšie pílové kotúče sa dostanú do kontaktu s krytom pílového kotúča, zatiaľ čo hrubšie kotúče zabránia tomu, aby upínacia skrutka kotúča zaisťila kotúč na hriadeľi. Ktorákoľvek z týchto situácií môže viesť k spôsobeniu vážneho zranenia.

- ☼ Vyberte z píly akumulátor.
- ☼ Vyberte z úložného priestoru kľúč na pílový kotúč (šesťhranný kľúč 6 mm).
- ☼ Stlačte tlačidlo zaistenia hriadeľa, vyskrutkujte upínaciu skrutku pílového kotúča a odoberte vonkajšiu podložku pílového kotúča.

POZNÁMKA: Pri demontáži otáčajte upínacou skrutkou pílového kotúča v smere pohybu hodinových ručičiek.

UPOZORNENIE! Z dôvodu zabránenia poškodeniu hriadeľa alebo zaistenia hriadeľa pred použitím tlačidla na zaistenie hriadeľa vždy počkajte, kým nedôjde k úplnému zastaveniu hriadeľa píly.

POZNÁMKA: Neuvádzajte kotúčovú pílu do chodu, ak je stlačené tlačidlo zaistenia hriadeľa.

☼ Naneste kvapku oleja na vnútornú a vonkajšiu podložku pílového kotúča v mieste, kde sa dotýkajú pílového kotúča.

VAROVANIE! Ak sa vnútorná podložka pílového kotúča odobrala, pred umiestnením pílového kotúča na hriadeľ túto podložku vráťte na pôvodné miesto. Ak sa nedodrží tento pokyn, môže dôjsť k spôsobeniu nehody, pretože pílový kotúč nebude riadne upevnený.

- ☼ Nasadte pílový kotúč do ochranného krytu pílového kotúča a na hriadeľ píly. POZNÁMKA: Zuby pílového kotúča musia na prednej časti píly smerovať nahor.
- ☼ Nasadte späť vonkajšiu podložku pílového kotúča.
- ☼ Stlačte tlačidlo zaistenia hriadeľa a naskrutkujte upínaciu skrutku pílového kotúča. Riadne utiahnite upínaciu skrutku pílového kotúča otáčaním proti smeru pohybu hodinových ručičiek.
- ☼ Vráťte kľúč na pílový kotúč na príslušné úložné miesto.

POZNÁMKA: Nikdy nepoužívajte pílový kotúč, ktorý má príliš veľkú hrúbku, ktorá by neumožňovala riadne usadenie vonkajšej podložky na plôšky na hriadeľi.

DEMONTÁŽ PÍLOVÉHO KOTÚČA

Pozrite obr. 2, strana 3.

- ☼ Vyberte z píly akumulátor.
- ☼ Vyberte kľúč na pílový kotúč z úložného miesta.
- ☼ Nastavte pílu do zobrazenej polohy, stlačte tlačidlo zaistenia hriadeľa a vyskrutkujte upínaciu skrutku pílového kotúča otáčaním v smere pohybu hodinových ručičiek.
- ☼ Odoberte vonkajšiu podložku pílového kotúča.
- ☼ Odoberte pílový kotúč.

9. NASTAVENIE

VAROVANIE! Pri nastavovaní vždy vyberte z tohto náradia akumulátor, aby sa zabránilo jeho náhodnému spusteniu, ktoré by mohlo spôsobiť vážne zranenie.

DORAZ PRE ŠIKMÉ REZY 0°

Pozrite obr. 20, strana 6.

Táto píla má doraz v polohe 0° pre šikmé rezy, ktorý bol nastavený už vo výrobnom závode, aby bol zaistený uhol 0° pre rovinu pílového kotúča pri vykonávaní rezov v uhle 90°.

KONTROLA DORAZU PRE ŠIKMÉ REZY 0°

- ☛ Vyberte z náradia akumulátor.
- ☛ Položte túto pílu na pracovný stôl spodnou stranou otočenou nahor.
- ☛ Pomocou stolárskeho uholníka skontrolujte pravouhlosť roviny pílového kotúča vzhľadom na základňu píly.

10. STAROSTLIVOSŤ O ZARIADENIE

Prefažovanie

Nikdy nepoužívajte pri rezaní nadmernú silu. Prílišný tlak znižuje rýchlosť zariadenia a významne znižuje požadovaný výkon. To môže spôsobiť prefaženie, ktoré môže poškodiť motor zariadenia. Keď je zariadenie príliš horúce, nechajte ho dve minúty bežať bez záťaže a potom na chvíľu prerušte prácu. Očistite zariadenie čistou handričkou a kefou. Skontrolujte, či nie sú upchaté vetracie otvory.

11. ZÁRUKA

Záručný list je platný iba pri predložení spolu s potvrdenkou o nákupe. Uložte oba dokumenty na bezpečné miesto. Pri reklamácií v rámci záruky sa, prosím, obráťte na vášho predajcu alebo servisné stredisko. Záruka platí pre všetky chyby produktu a chyby vzniknuté počas záručnej lehoty, ktoré sú preukázateľne spôsobené chybami materiálu alebo výroby. V takých prípadoch sa produkt opraví a/alebo nastaví. Záruka sa netýka štandardného opotrebenia produktu, rovnako ako chýb v dôsledku prehriatia, použitia nevhodného príslušenstva alebo nesprávneho ovládania produktu.

12. TECHNICKÉ ÚDAJE

Model	FDUK 70305-0	
Menovité napätie	20 V	
Otáčky naprázdno	4300 ot./min	
Rozmery pílového kotúča	φ165 × φ16 mm	
Hĺbka rezu	0 °	55 mm
	45 °	38 mm

Príslušenstvo

Číslo položky	Príslušenstvo
FDUZ 79020	Akumulátor 2 Ah
FDUZ 79040	Akumulátor 4 Ah
FDUZ 79100	Rýchla nabíjačka
FDUZ 79110	Rýchla dvojité nabíjačka

13. RIEŠENIE PROBLÉMOV

1. Spúšť je stlačená, ale zariadenie nefunguje: Pri akumulátorových zariadeniach musíte pripojiť dostatočne nabitú batériu. Ak nebudete akumulátorové zariadenie dlhší čas používať, batéria sa vybije. Skúste batériu nabíť. Skontrolujte, či je batéria správne usadená v nabíjačke. Nabíjačka sa bude počas nabíjania zahrievať, to je celkom normálne.
2. Z batérie uniká elektrolyt: Pri extrémnych teplotách alebo extrémnej záťaži sa môže objaviť malé množstvo tekutiny. Ak sa tejto tekutiny náhodou dotknete, okamžite si umyte pokožku alebo oblečenie mydlom a vodou.
3. Batéria sa nenabíja a svetlo na nabíjačke nesvieti: Ak sa batéria nenabíja, skontrolujte, či je správne usadená v nabíjačke a či svieti indikátor. Ak nesvieti, skontrolujte, či je napájacia zástrčka nabíjačky správne pripojená do zásuvky. Ak áno, skontrolujte poistku/istič zásuvky.
4. Telo zariadenia sa po dlhšom používaní zahrieva: Pri normálnom zaťažení sa budú telo, spúšť a batéria zahrievať, pretože energia spotrebúvaná pri rezaní generuje teplo. To je normálne správanie. Stačí nechať zariadenie niekoľko minút vychladnúť.
5. Batéria sa počas používania zahrieva: Energia dodávaná z batérie generuje teplo. Batéria sa nepoškodí, generovanie tepla pri odoberaní energie je normálne. Ak chcete batériu ochladiť, nechajte zariadenie pred pokračovaním v práci niekoľko minút vychladnúť.
6. Batéria sa počas nabíjania zahrieva: To je normálne správanie, ktoré je dôsledkom chemických reakcií v batérii počas procesu nabíjania.
7. Nabíjacia jednotka sa počas nabíjania zahrieva: To je normálne správanie, ktoré je spôsobené znížením napätia z 230 V na 20 V.

14. LIKVIDÁCIA



Toto náradie, nabíjacia batéria, príslušenstvo a obaly sa musia triediť, aby bola zaistená ich ekologická recyklácia.

Nevyhadzujte elektrické náradie a batérie alebo nabíjacie batérie do bežného domového odpadu!

Iba pre krajiny z Európskej únie:



V súlade s európskymi smernicami 2012/19/EÚ a 2006/66/EC sa musí elektrické náradie, ktoré sa už ďalej nepoužíva, a takisto chybné alebo použité súpravy batérií/batérie, zbierať oddelene a likvidovať spôsobom šetrným k životnému prostrediu.

POKYNY A INFORMÁCIE PRE LIKVIDÁCIU VYRADENÝCH OBALOVÝCH MATERIÁLOV

Odovzdajte všetok použitý obalový materiál na mieste, ktoré je určené miestnymi úradmi pre likvidáciu odpadu.

LIKVIDÁCIA VYRADENÝCH ELEKTRICKÝCH A ELEKTRONICKÝCH ZARIADENÍ



Tento symbol na výrobkoch alebo v priloženej dokumentácii znamená, že vyradené elektrické alebo elektronické zariadenia sa nesmú vyhadzovať do bežného komunálneho odpadu. Odovzdajte tieto výrobky na určených zberných miestach, kde sa vykoná ich správna likvidácia, obnovenie a recyklácia. V niektorých štátoch Európskej únie alebo v niektorých európskych krajinách môžete pri nákupe zodpovedajúceho nového výrobku vrátiť vaše výrobky miestnemu predajcovi. Správnu likvidáciu tohto výrobku pomáhate chrániť cenné prírodné zdroje a zabránite možným negatívnym dopadom na životné prostredie a ľudské zdravie, ku ktorým by mohlo dôjsť v dôsledku nesprávnej likvidácie odpadu. Ďalšie podrobnosti vám poskytnú miestne úrady alebo najbližší zberný dvor. V prípade nesprávnej likvidácie tohto druhu odpadu sa môžu uložiť pokuty v súlade s platnými národnými predpismi.

Pre spoločnosti, ktoré pôsobia v krajinách Európskej únie

Ak chcete zlikvidovať elektrické alebo elektronické zariadenia, vyžiadajte si potrebné informácie od vášho predajcu alebo dodávateľa. Likvidácia v krajinách mimo Európskej únie. Ak chcete tento výrobok zlikvidovať, požiadajte miestne úrady alebo predajcu o nevyhnutné informácie o spôsobe likvidácie.



Tento produkt spĺňa všetky základné požiadavky všetkých príslušných smerníc EÚ.

Text, dizajn a technické špecifikácie sa môžu zmeniť bez predchádzajúceho upozornenia a vyhradujeme si právo na vykonávanie týchto zmien.

Používateľská príručka v originálnom jazyku.

Akkumulátoros körfűrész **20V** FASTPOWER

FELHASZNÁLÓI KÉZIKÖNYV

Köszönjük, hogy megvásárolta ezt a FIELDMANN akkumulátoros körfűrész. A szerszám használata előtt figyelmesen olvassa el a használati útmutatót és őrizze meg a későbbiekre.

TARTALOM

1. BIZTONSÁGI UTASÍTÁSOK	62
2. JELZÉSEK	63
3. A SZERSZÁM ÉS MELLÉKELT TARTOZÉKOK LEÍRÁSA.....	64
4. ÁLTALÁNOS BIZTONSÁGI UTASÍTÁSOK	65
5. SPECIÁLIS BIZTONSÁGI UTASÍTÁSOK	67
6. HALLÁSVÉDELEM.....	68
7. HASZNÁLAT.....	68
8. ÖSSZEÁLLÍTÁS	73
9. BEÁLLÍTÁS.....	74
10. A SZERSZÁM KARBANTARTÁSA.....	75
11. JÓTÁLLÁS.....	75
12. MŰSZAKI ADATOK	75
13. PROBLÉMAMEGOLDÁS	76
14. MEGSEMMISÍTÉS	77

1. BIZTONSÁGI UTASÍTÁSOK

FIGYELEM!

A készülék használata előtt kérjük figyelmesen olvassa el a használati útmutatót.

Fontos biztonsági figyelmeztetések

- ✿ Óvatosan csomagolja ki a terméket, és ellenőrizze, hogy a csomag tartalmazza a termék összes alkotórészét; ügyeljen arra, hogy ne vesszítse el ezen elemek egyikét sem.
- ✿ A terméket helyezze száraz helyre és gyermekektől távol.
- ✿ Olvassa el az összes figyelmeztetést és utasítást. A figyelmeztetések és utasítások be nem tartása balesetet, tüzet és/vagy súlyos sérüléseket okozhat.

Csomagolás

A termék csomagolásban van, amely védi a szállítás közbeni sérüléstől. Ez a csomagolás újrahasznosítható nyersanyag, ezért ajánlatos újrahasznosítani.

Használati utasítás

Mielőtt elkezdené a munkát a szerszámmal, olvassa el az alábbi biztonsági szabályokat és üzemeltetési utasításokat. Ismerkedjen meg alaposan a készülék kezelőelemeivel és azok megfelelő használatával. Az utasításokat tegye el biztos helyre későbbi felhasználás céljából. Javasoljuk, hogy az eredeti csomagolást, beleértve a belső csomagolóanyagokat, a nyugtát és a jótállási kártyát, legalább a garancia időtartamára őrizze meg.

Ha szállításra van szükség, akkor csomagolja a szerszámot a gyártó által szállított eredeti csomagolásba, ezáltal garantálja a termék maximális védelmét szállítás során (pl. szervizközpontba szállításkor vagy küldéskor).

Megjegyzés:

Ha továbbítja a szerszámot egy másik felhasználónak, mellékelje az utasításokat is. A készülék helyes használatának előfeltétele a mellékelt kézikönyvben szereplő kezelési utasítások betartása. Az üzemeltetési utasításokon kívül a használati utasítások a karbantartási és javítási munkákat is tartalmazzák.

A gyártó nem vállal felelősséget balesetekért vagy károkért, amelyek a kézikönyv utasításainak be nem tartásából erednek.

2. JELZÉSEK



A termék megfelel az alkalmazandó szabványok és előírások követelményeinek.



A készülék használata előtt figyelmesen olvassa el a használati útmutatót.



Viseljen szemvédőt



Viseljen fülvédőt



Lézeres AC: sérülésveszély - ne nézzen közvetlenül a sugárba

3. A SZERSZÁM ÉS MELLÉKELT TARTOZÉKOK LEÍRÁSA

A szerszám leírása (lásd 3. oldal)

- A. Biztosító gomb
- B. Indítókapcsoló
- C. Lemezkulcs elhelyezése
- D. Vágásmélység biztosítókar
- E. Vágásszélesség mérő
- F. Rögzítőcsavar ferde vágásokhoz
- G. Munka lámpa

Szállított tételek

Távolítsa el a doboz teljes tartalmát, és ellenőrizze, hogy az alább felsorolt elemek közül egy sem hiányzik és szállítás közben nem sérültek meg.

- Körfűrész
- Párhuzamos vezetőléc
- 1 fűrészlemez
- Garancialevél
- Használati útmutató

Ha valamelyik alkatrész hiányzik vagy sérült, vegye fel a kapcsolatot a forgalmazóval.

4. ÁLTALÁNOS BIZTONSÁGI UTASÍTÁSOK

A következő biztonsági utasításokat figyelmesen olvassa el, jegyezze meg és őrizze meg.

⚠ Figyelmeztetés! Az elektromos gépek és szerszámok használata esetén fontos respektálni és betartani a következő biztonsági utasításokat az elektromos áram által okozott balesetek, személyi sérülések és a tűz keletkezése veszélyének meggátolásának szempontjából. Az „elektromos szerszámok” kifejezés magába foglalja nemcsak az elektromos áram által táplált (kábelen keresztül), de az akumátorból táplált szerszámokat is (kábel nélkül). Őrizze meg a figyelmeztetéseket és utasításokat a jövőbeni használathoz.

Munkavégzési terület

- ☼ A munkavégzési területet tartsa tisztán és jól megvilágítva. A rendtelenség és a nem megfelelő megvilágítás gyakran a balesetek okozói. Rakja el a szerszámokat, amelyeket éppen nem használ.
- ☼ Ne használjon elektromos szerszámokat olyan környezetben, ahol tűz vagy robbanásveszély állhat fenn, tehát olyan helyeken, ahol gyúlékony folyadékok, gázok vagy porok találhatóak.
- ☼ Az elektromos szerszámokban szikrák keletkeznek, melyek előidézhetik a porok és gőzök gyulladását. Gondoskodjon arról, hogy az állatok ne férjenek hozzá a szerszámhoz.
- ☼ Az elektromos szerszámok használatakor akadályozzák meg az illetéktelen személyek, főleg a gyerekek bejárását a munkavégzési területre. Ha zavarva vannak a munka közben, elveszthetik a kontrollt a munkatevékenység felett. Semmi esetre se hagyja az elektromos szerszámokat felügyelet nélkül.

Biztonsági utasítások elektr. árammal való munkavégzéskor

- ☼ Az elektromos szerszám kábelének hálózati csatlakozójának meg kell felelnie az aljzattal. Soha semmilyen körülmények között ne hajtsanak végre módosításokat az elektromos kábelen. Olyan szerszámra, amely elektromos csatlakozója védőérintkezővel van ellátva, soha ne használjunk elosztót, sem egyéb adaptert.. A sértetlen hálózati csatlakozók és a megfelelő aljzatok csökkentik az elektromos áram által okozott sérülés veszélyét. A sérült vagy összegugancolt kábelek növelik az elektromos áram által okozott sérülések veszélyét. Abban az esetben, ha a hálózati kábel megsérül, ezt cseréljük speciális hálózati kábelre, amelyet a gyártónál, illetve ennek üzleti képviselőjénél szerezhet be.
- ☼ Óvakodjanak a testrészek érintkezésétől a földelt területtel, például a csővezetékek, központi fűtőtestek, gáztűzhelyek és hűtőszekrények esetében. Az elektromos áram által okozott sérülések veszélye nagyobb, ha az Ön teste érintkezésben áll a földdel.
- ☼ Az elektromos szerszámokat ne tegye ki az eső, pára és víz hatásainak. Az elektromos szerszámokhoz sose nyúljunk vizes kézzel. Sose mossa folyóvíz alatt vagy ne mártsa be víz alá az elektromos szerszámokat.
- ☼ Sose használja az elektromos kábelt más célokra, mint ami a rendeltetése. Soha ne húzzák vagy hordozzák az elektromos szerszámokat az elektromos kábelük által. Sose a kábelon keresztül húzzák ki az elektromos szerszám hálózati csatlakozóját az aljzataból. A csatlakozódugót ne húzzuk a kábelnél fogva. Ügyeljünk, hogy az elektromos csatlakozókábelt ne sértsük meg éles, sem forró tárgyal.
- ☼ Az elektromos szerszámok kizárólag váltóárammal való működésre voltak kigyártva. Mindig ellenőrizze le, hogy a hálózati feszültség megfelel-e a szerszámon levő címkén feltüntetett adatokkal.
- ☼ Sose dolgozzunk olyan szerszámmal amelynek sérült az elektromos kábele, vagy a hálózati csatlakozója, netán leesett vagy másképpen van megsérülve.
- ☼ Hosszabbító kábel használata esetén mindig ellenőrizze, hogy annak műszaki paraméterei megfelelnek-e a szerszám ismertető címkéjén feltüntetett adatoknak. Amennyiben az elektromos szerszámot a szabadban használja, alkalmazzon olyan hosszabbító kábelt, amely alkalmas a szabadban való

használatra. Hosszabbító dobok használata esetén tekerje le azokat, hogy megelőzze azok túlmelegedését.

- ✿ Amennyiben az elektromos szerszámot nedves környezetben vagy a szabadban használja, csak akkor szabad használni azt, ha az 30 mA-es túláramvédelemmel ellátott áramkörbe van bekötve. /RCD/ védelemmel ellátott áramkör használata csökkenti az áramütés veszélyét.
- ✿ Az elektromos kézi szerszámot kizárólag a megmarkolásra kialakított szigetelt felületeken tartsa, mivel működés közben a vágó- vagy fúrószerszám rejtett vezetékkel vagy saját kábelével érintkezhet.

Személyek biztonsága

- ✿ Az elektromos szerszámok használatakor legyenek figyelmesek, maximálisan figyeljenek oda a végzett tevékenységre, amit éppen végrehajtanak. Özpontosítsanak a munkára. Sose dolgozzanak elektromos szerszámokkal ha fáradtak, kábítószer, alkohol vagy gyógyszerek hatása alatt vannak. Egy pillanatnyi figyelmetlenség az elektromos szerszámok használatakor komoly sérüléseket is okozhat. Az elektromos szerszámok használata közben ne egyenek, ne igyanak és ne dohányozzanak.
- ✿ Használjon munkavédelmi eszközöket. Mindig használjon munkavédelmi szemvédőt. Használjon olyan munkavédelmi eszközöket amelyek megfelelnek az adott munkának. A munkavédelmi eszközök, mint pl. a respirátor, biztonsági lábbeli csúszásgátló talpazattal, fejtámla vagy hallásvédő, a munkafeltételekhez való alkalmazáshoz csökkentik a személyek sérülésének veszélyét.
- ✿ Óvakodjanak a nem szándékos elektromos szerszámok beindításától. Ne helyezzenek át szerszámot úgy, hogy feszültség alatt van és melynek be-, kikapcsolóján rajtatartják az ujjukat. A hálózatba való kapcsolás előtt győződjenek meg arról, hogy a be-, kikapcsoló a „kikapcsolt” helyzetben van. A szerszámok áthelyezése vagy hálózati aljzatba való helyezése melyeknek be-, kikapcsolóján rajtatartják az ujjukat, vagy a be-, kikapcsolójuk a „bekapcsolt” helyzetben van a balesetek okozójává válhat.
- ✿ A szerszámok bekapcsolása előtt távolítsa el az összes beállítókulcsot és eszközöket.
- ✿ Mindig egyensúlyban és stabil állásban dolgozzon. Csak ott dolgozzon, ahova biztosan elér. Sose becsülje túl az erejét és saját képességeit. Ha fáradt, ne használja az elektromos szerszámokat.
- ✿ Öltözködjön megfelelő módon. Használjon munkaruhát. Munkavégzőskor ne hordjon bő öltözetet és ékszereket. Ügyeljen arra, hogy az Ön haja, ruhája, kesztyűje vagy más testrésze ne kerüljön közvetlen közelbe az elektromos szerszámok rotációs vagy felforrósodott részeihez.
- ✿ Kapcsolja az elektromos berendezést a porszivóhoz. Ha a berendezés rendelkezik porszivó vagy porfelfogó csatlakozóval, győződjenek meg arról hogy a porszivó berendezés megfelelően van-e csatlakoztatva, ill. használva. Az ilyen berendezések használata meggátolhatja a por által keletkezett veszélyt.
- ✿ A munkadarabot erősen rögzítse. A megmunkálandó munkadarab rögzítse használjon asztalos szorítót vagy satut.
- ✿ Ne használjon semmilyen szerszámot, ha alkohol, drog, gyógyszer vagy más kábító-, függőséget okozó anyagok hatása alatt áll.
- ✿ A berendezést nem kezelhetik olyan személyek (gyerekeket is beleértve), akik csökkentett testi, értelmi vagy mentális képességekkel rendelkeznek, vagy akiknek nincs megfelelő tapasztalatuk és vonatkozó tudásuk, csak abban az esetben, ha a megfelelő felügyelet biztosított, illetve a berendezés működtetéséhez megkapták a szükséges utasításokat a biztonságukért felelős személytől. A gyerekeknek felügyelet alatt kell lenniük, hogy a berendezéssel ne játszhassanak.

Az akkumulátoros szerszámok használata

- ✿ Az akkumulátor behelyezése előtt győződjön meg arról, hogy a kapcsoló a "0-kikapcsolt" helyzetben van. A bekapcsolt állapotban levő szerszámba való akkumulátor behelyezése veszélyes helyzetek okozója lehet.

- ☼ Az akkumulátor töltésére csak a gyártó által előírt töltőt használja. Más fajta akkumulátor töltő használata tüzesetet idézhet elő.
- ☼ Csak olyan akkumulátort használjon, amely előírt az adott szerszámhoz. Más fajta akkumulátor töltő használata balesetet, ill. tüzesetet idézhet elő.
- ☼ Ha az akkumulátor használaton kívül van tárolják elkülönítve a fémtárgyaktól, mint például a kapcsok, szorítók, kulcsok, csavarok vagy más apró fémtárgyaktól amelyek előidézhetik az akkumulátor két kontaktusának összekapcsolását. Az akkumulátor rövidzárlata balesetet okozhat, égési sebeket és tüzesetet idézhet elő.
- ☼ Az akkumulátorokkal bánjunk kíméletesen. Kíméletlen bánásmóddal az akkumulátorból kifolyhat az elektrolit. Kerüljük a közvetlen érintkezést az elektrolittal. Ha mégis érintkezésbe kerülünk az elektrolittal, az érintet helyet mossuk le vízzel. Ha az elektrolit a szemünkbe kerül, azonnal menjünk orvoshoz. Az akkumulátor elektrolitje ingerületet vagy égéssérülést okozhat.

Szerviz

- ☼ Ne cseréljék az egyes szerszámok részeit, ne végezzenek el maguk javításokat, más módon se nyúljanak bele a szerszámokba. A berendezések javítását bizzuk szakképzett személyekre.
- ☼ A termék mindennemű javítása vagy módosítása a mi vállalatunk beleegyezése nélkül nem engedélyezett (balesetet idézhet elő, vagy kárt okozhat a felhasználónak).
- ☼ Az elektromos szerszámokat mindig certifikált szervizben javíttassuk. Csak eredeti vagy ajánlott pótalkatrészeket használjanak. Ezzel garantálja Ön és szerszáma biztonságát.

5. SPECIÁLIS BIZTONSÁGI UTASÍTÁSOK

▲ FIGYELEM! Kérjük, használat előtt olvassa el figyelmesen a biztonsági utasításokat, majd őrizze meg őket.

- ☼ Mindig ellenőrizze, hogy a hálózati feszültség megegyezik-e a gép adattábláján feltüntetett értékkel. A fűrész kétpólusú kábellel és csatlakozódugóval rendelkezik!
- ☼ Használjon védőszemüveget ha olyan anyaggal dolgozik amelyik sok forgácsot vagy szilánkot produkál, és esetenként használjon a megmunkált anyagnak és a munkaműveletnek megfelelő porvédő maszkot / légzőkészüléket. Hosszabb munkavégzés esetén használjon megfelelő fülvédőt is.
- ☼ Ha a kéziszerszám porszívó vagy porgyűjtő csonkkal rendelkezik, használja e készülékeket. A porszívó vagy porgyűjtő zsákját rendszeresen cserélje.
- ☼ Rögzítse a megmunkálni kívánt munkadarabot. Befogókészülékkel vagy satuval befogott munkadarabot sokkal biztonságosabban lehet rögzíteni mint a kézzel tartottat, és közben mindkét keze szabadon marad a szerszám használatához.
- ☼ Ügyeljen arra, hogy munka közben ne akadályozza a csatlakozókábel, ne léphessen rá, ne tehesen rá nehéz terhet és ne bukasson fel benne. Ellenőrizze le, hogy munka közben a kábel nem sérülhet.
- ☼ A jelen használati útmutatóban feltüntetett utasítások be nem tartása esetén személyi sérülés veszélye fenyeget.
- ☼ Az orrfűrész megfelel a vonatkozó műszaki előírásoknak és szabványoknak.
- ☼ Orrfűrészrel történő munkavégzéskor a védőburkolatot mindig le kell tolni.
- ☼ Rendszeresen ellenőrizze a fűrészlap tartó mindkét csavarját.
- ☼ Ne használjon se sérült, se elhasználadott fűrészlapokat.
- ☼ Rendszeresen ellenőrizze a vezetőcsiga beállítását.

- ✿ Ne indítsa el a szűrőfűrészgépet, amíg a fűrészlap a munkadarabban található.
- ✿ Soha ne tegye ki a gépet olyan terhelésnek, ami a motor leállásához vezet.
- ✿ Soha ne próbálja megállítani a fűrészlap mozgását, még akkor se, ha a motor már kikapcsolt állapotú.
- ✿ A fűrészlap nagyon gyorsan maga kitolódik. A fűrész fogai rendkívül élesek.
- ✿ Soha ne célozzon a fűrészszel másokra.
- ✿ Zajjal, porral, rezgéssel szemben használjon személyi védőeszközöket !!!

⚠ FIGYELEM! Őrizze meg e biztonsági rendelkezéseket!!!

6. HALLÁSVÉDELEM

⚠ FIGYELEM! Abban az esetben, ha az akusztikus nyomás értéke meghaladja a 90,2 dB(A) értéket, használjon megfelelő fülvédő eszközt. Ezzel megelőzheti a hallása károsodását!

7. HASZNÁLAT

⚠ FIGYELEM! Akadályozza meg, hogy a szerszám ismerete óvatlansághoz vezessen. Ne feledje, hogy munka közben egy pillanatnyi figyelmetlenség is súlyos sérülést okozhat.

⚠ FIGYELEM! Mindig használjon szemvédőt oldalvédőkkel, hogy megfeleljen az ANSI Z87.1 követelményeinek. Ha ezt nem tartja be, egy kicsapódó tárgy a szemét érheti, vagy más súlyos sérülés történhet.

⚠ FIGYELEM! Ne használjon olyan kiegészítőket vagy tartozékokat, melyeket nem a szerszámnak gyártója ajánlott. Nem ajánlott kiegészítők vagy tartozékok használata súlyos sérülést okozhat.

⚠ FIGYELEM! Soha ne használjon semmilyen vágókorongot ezzel a fűrészszel. A nem fa vágásra szánt fűrészlemezek anyagi károkat vagy súlyos sérüléseket okozhatnak.

ALKALMAZÁS

Ez a készülék az alábbi célokra használható:

- ✿ Minden típusú fatermék (fűrészáru, rétegelt lemez, csempe, kompozit táblák és keményfa) vágása

AZ AKKUMULÁTOR BEHELYEZÉSE/ELTÁVOLÍTÁSA

Lásd az 3. és 3. oldalt

- ✿ Helyezze az akkumulátort a szerszámba az ábra szerint.
- ✿ A munka megkezdése előtt ellenőrizze, hogy az akkumulátor mindkét oldalán mindkét retesz bepattant, és hogy az akkumulátor megfelelően van rögzítve.
- ✿ Az akkumulátor eltávolításához nyomja meg a reteszeket.

A teljes töltési utasításokat az akkumulátor és a töltő kézikönyvében találja meg.

⚠ FIGYELEM! Az akkus szerszámok mindig üzemképesek. Ezért a kapcsolót mindig reteszelni kell, ha a szerszám nincs használatban, vagy ha az oldalán viszi a szerszámot.

VISSZAÜTÉS

Lásd a 4-7. ábrát a 4. oldalon

Visszaütés akkor következik be, amikor a fűrészlap gyorsan leáll, és a fűrész visszafelé kezd mozogni. A fűrészlemez blokkolását olyan tevékenység okozza, amely során a fűrészlap beragad a fába.

⚠ VESZÉLY! Ha a lemez beszorul vagy elakad, azonnal engedje el a fűrészkapcsolót. A visszaütés okozhatja a vezérlés elvesztését a fűrész felet. Ha elveszti a vezérlést a szerszám felett, az súlyos sérülést okozhat.

Kerülje a következő veszélyes eljárásokat, hogy megvédje magát a visszaütéstől:

- ☼ A fűrészlap mélységének helytelen beállítása.
- ☼ Csomókba vagy szegekbe vágás a munkadarabon.
- ☼ A fűrészlap megcsavarodása vágás közben.
- ☼ Vágás létrehozása tompa, ragasztott vagy helytelenül beállított fűrészlappal.
- ☼ Nem megfelelő munkadarab-kitámasztás.
- ☼ Erőhatás a fűrészlapra.
- ☼ Deformált vagy nedves fűrészáru vágása.
- ☼ A szerszám nem megfelelő használata vagy a szerszám nem megfelelő kezelése.

A visszarúgás megelőzése érdekében kövesse az alábbi biztonsági eljárásokat:

- ☼ Tartsa a fűrészlapot a beállított mélységben. Ez a beállított mélység nem haladhatja meg a 6,5 mm-t a vágandó anyag alatt.
- ☼ A vágás megkezdése előtt ellenőrizze, hogy a munkadarabon nincs csomó vagy szög. Soha ne vágjon csomóba vagy szegbe.
- ☼ Végezzen egyenes vágásokat. Hosszirányú vágásokhoz használjon egyenes élvezetőt. Ez segít megakadályozni a fűrészlap elcsavarodását.
- ☼ Használjon tiszta, élezett és megfelelően beállított fűrészlapokat. Soha ne végezzen vágást tompa fűrészlapokkal.
- ☼ A vágás megkezdése előtt megfelelően támassza meg a munkadarabot.
- ☼ Vágáskor használjon állandó és egyenletes nyomást. A vágást soha ne végezze erővel.
- ☼ Ne vágjon deformálódott vagy nedves fűrészárut.
- ☼ Tartsa erőssen a fűrész mindkét kezével, és álljon stabilan, hogy szükség esetén ellenálljon a visszaütési erőnek.

⚠ FIGYELEM!

A fűrész használatakor mindig legyen óvatos és ellenőrizze az elvégzett munkát. Ne vegye ki a fűrész a munkadarabról, miközben a fűrészlap mozgásban van.

FÜRÉSZLAPOK

Még a legjobb fűrészlapok sem vágnak hatékonyan, ha nem tartják tisztán, nem élezik vagy rosszul vannak beállítva. Tompa fűrészlap használata esetén nagy teher kerül át erre a fűrészre, és megnő a visszaütés veszélye. Mindig készítsen be további fűrészlapokat, hogy gyorsan rendelkezésre álljanak.

A fűrészlapon megkeményedett gyanta és szurok lelassítja a fűrész. Vegye ki a fűrészlapot a fűrészből, és távolítsa el ezeket a lerakódásokat gyanta és szurokeltávolítóval, forró vízzel vagy kerozinnal.

NE HASZNÁLJON BENZINT.

FÜRÉSZLAPVÉDŐ RENDSZER

Lásd 8. ábra 4. oldal

A körfűrészhez rögzített alsó lemezfedél az Ön védelmére és biztonságára szolgál. Önkezűleg soha ne javítsa. Ha sérült, ne használja a fűrész, amíg a fedél nincs megjavítva vagy kicserélve. Ha a fűrészsel dolgozik, hagyja a fedelet mindig munkahelyzetben.

⚠ VESZÉLY! A munkadarab átvágásakor a fűrészlemez alsó fedele nem takarja el a lemezt a munkadarab alsó részén. Mivel a fűrészlemez nincs lefedve a munkadarab alsó részén, tartsa kezét és ujját biztonságos távolságban a vágási ponttól. Ha a teste bármely része érintkezik a mozgó fűrészlappal, súlyos sérülést okozhat.

⚠ FIGYELEM! Soha ne használja a fűrész, ha a burkolat nem működik megfelelően. A fűrész minden használata előtt ellenőrizze, megfelelően működik a fedél. A burkolat megfelelően működik, ha szabadon mozog és automatikusan visszatér rögzített helyzetbe. Ha a fűrész leesik, a fűrész újbóli használata előtt ellenőrizze a fűrészlemez alsó fedelet és az ütközőt, hogy nem sérült meg.

FŰRÉSZ BEINDÍTÁSA/LEÁLLÍTÁSA

Lásd 9. ábra 4. oldal

Ez a fűrész munkalámpával van felszerelve, amely világít, amikor az indítókapcsolót megnyomják, és kikapcsol, amikor az indítókapcsolót elengedik.

A fűrész beindítása:

- ✿ Nyomja meg egyszer a biztosító gombot.
- ✿ Nyomja meg az indítókapcsolót.

Mindig hagyja, hogy a fűrész elérje a maximális sebességet, majd helyezze a fűrész a munkadarabra.

⚠ FIGYELEM! A fűrészlemez érintkezése a munkadarabbal, miközben a fűrészlemez még nem érte el a maximális sebességet, visszaütést és a fűrész eldobását okozhatja, ami súlyos sérüléshez vezethet.

A fűrész leállítás: engedje el az indítókapcsolót.

Miután elengedte az indítókapcsolót, várja meg, amíg a fűrészlemez teljesen leáll. Ne vegye ki a fűrész a munkadarabról, miközben a fűrészlap mozgásban van.

KIOLDÓ GOMB

Lásd 9. ábra 4. oldal

A kioldógomb korlátozza a véletlen indítás lehetőségét. A kioldógomb a fogantyún található az indítókapcsoló felett. A kioldógombot meg kell nyomni az indítókapcsoló megnyomása előtt. A biztosíték az indítókapcsoló minden egyes megnyomásakor visszaáll.

MEGJEGYZÉS: Ezt a kioldógombot balról vagy jobbról lehet lenyomni.

A FŰRÉSZLAP MÉLYSÉGÉNEK BEÁLLÍTÁSA

Lásd 10. ábra 4. oldal

Mindig végezze el a megfelelő fűrészlapmélység-beállítást. Ez az összes vágáshoz megfelelően beállított mélység nem haladhatja meg a vágandó anyag alatti 6,5 mm-es magasságot. A fűrészlap nagyobb mélysége növeli a visszaütés valószínűségét, és nagyobb érdességet okoz a vágott felületen. A vágás pontosságának növelése érdekében a fűrészlap felső fedelére egy mércét helyeztünk.

- ✿ Engedje fel a mélység rögzítőkart úgy, hogy felemeli és eltávolítja az aljzattól.
- ✿ Adja meg a kívánt vágási mélységet.
- ✿ Használja a fűrészlemez felső borításának hátoldalán található vágásmélység mérőt.

- ☛ Tartsa az alapot párhuzamosan a munkadarabbal, és emelje fel vagy engedje le a fűrész, amíg a tartó jelzője nem egyezik a fűrészlemez fedelén található bevágással.
- ☛ Megfelelően húzza meg a vágasmélység rögzítőkart, hogy ezt a kart lefelé és az alap felé nyomja.

⚠ VESZÉLY! A FÜRÉSZ KEZELÉSE

Lásd 11-13. ábra 5-6. oldal

- ⚠ **FIGYELEM!** Mindig győződjön meg, hogy uralja a fűrész, hogy a vágás könnyebb és biztonságosabb legyen. A fűrész irányításának elvesztése balesetet és súlyos sérüléseket okozhat.

A legjobb minőségű vágások eléréséhez kövesse ezeket a hasznos irányelveket.

- ☛ Tartsa erősen a fűrész mindkét kezével.
- ☛ Vágáskor ne tegye a kezét a munkadarabra.
- ☛ Támogassa a munkadarabot úgy, hogy a vágás mindig az Ön oldalán legyen.
- ☛ Támassza meg a munkadarabot a vágás közelében.
- ☛ Rögzítse a munkadarabot bilincsekkel vagy más praktikus eszközzel, hogy a munkadarab vágás közben ne mozogjon.
- ☛ A fűrész mindig megfelelően megtámasztott munkadarabra helyezze, ne vágjon darabokat a munkadarabból.
- ☛ Helyezze a munkadarabot jobbik oldalával lefelé.
- ☛ A vágás megkezdése előtt rajzoljon vezetővonalat a kívánt vágási vonal mentén.

KERESZTMETSZETEK ÉS HOSSZANTI VÁGÁSOK

Lásd 14. ábra 5. oldal

Ha egyenes keresztmetszetet vagy hosszanti vágást végez, igazítsa a vágási vonalat az alaplapon lévő fűrészlapvezető 00 bevágásával.

Mivel a fűrészlemez vastagsága változó, mindig végezzen próbavágást hulladékanyagon a vezető mentén annak meghatározása érdekében, hogy a vezetőnek mekkora átfedéssel kell rendelkeznie - ha erre az átfedésre szükség van - a pontos vágás elérése érdekében.

MEGJEGYZÉS: A vágási vonal és a vezető közötti távolság az az érték, amely megegyezik a kívánt vezető-átfedéssel.

HOSSZANTI VÁGÁSOK

Lásd 15. ábra 5. oldal

Használjon vezetőt, ha hosszú vagy széles hosszanti vágásokat végez a fűrészrel.

- ☛ Rögzítse a munkadarabot.
- ☛ Rögzítsen egyenes listát a munkadarabhoz C-bilincsekkel.
- ☛ A vágást ezen lista mentén végezze az egyenes hosszanti vágás elérése érdekében.

MEGJEGYZÉS: Kerülje a fűrészlap beragadását a vágásba.

VÁGÁSSZÉLESSÉG MÉRŐ

Lásd 16. ábra 5. oldal

A vágási szélesség mérő ennek a fűrésznek az alján található. Egyenes keresztmetszetek vagy hosszanti vágások esetén ez a mérő a fűrészlap jobb oldalán 115 mm-ig és a fűrészlap bal oldalán 25 mm-ig használható.

FERDE VÁGÁSOK

Lásd 17-18. ábra 5-6. oldal

- ✿ Állítsa a ferde vágás szögét a kívánt értékre nulla és 56° között. Lásd a következő részt a Ferde vágás szögének beállítása.
- ✿ Ha 45°-os szögben végez ferde vágást, igazítsa a vágási vonalat az alaplapon lévő fűrészlapvezető 45° bevágásával.
- ✿ Végezzen próbavágást hulladékanyagon, hogy meghatározza, mekkora a vezető átfedése.

FERDE VÁGÁS SZÖGÉNEK BEÁLLÍTÁSA

Lásd 18. ábra 6. oldal

- ✿ Lazítsa meg a rögzítőcsavart ferde vágásokhoz.
- ✿ Emelje fel a fűrész motoros részét, amíg a kívánt szögérték meg nem jelenik a ferde szög mérőn.
- ✿ Húzza meg a rögzítőcsavart ferde vágásokhoz.

⚠ FIGYELEM! A ferde vágás a ferde vágásokhoz használatos rögzítőcsavar megfelelő meghúzása nélkül súlyos sérülést okozhat.

MEGJEGYZÉS: 56°-os vagy annál nagyobb szögű ferde vágások esetén mozgassa a ferde vágásokhoz tartozó rögzítőcsavart a horonyba a ferde vágások skáláján megjelölt 56°-os helyzetbe, és szorosan húzza meg ezt a rögzítőcsavart.

FERDE VÁGÁSOK VÉGZÉSE

Lásd 18. ábra 6. oldal

- ✿ Tartsa a fűrész erősen mindkét kezével, az ábra szerint.
- ✿ Támassza az alap elülső szélét a munkadarabnak.
- ✿ Kapcsolja be a fűrész és várja meg, amíg eléri a maximális fordulatszámot.
- ✿ Helyezze be a fűrész a munkadarabba, és végezze el a szükséges vágást.
- ✿ Elengedje el az indítókapcsolót és várja meg, amíg a fűrészlemez teljesen leáll.
- ✿ Emelje le a fűrész a munkadarabról.

Lásd 19. ábra 16. oldal

MERÜLŐ VÁGÁSOK

⚠ FIGYELEM! A merülő vágás előtt mindig állítsa a ferde vágás szögét nullára. Ha más beállítással próbál merülő vágást végezni, akkor elveszítheti fűrész felett az uralmát, ami súlyos sérüléseket okozhat.

- ✿ Állítsa a ferde vágás szögét nullára.
- ✿ Állítsa be a fűrészlemez megfelelő vágásmélységre.
- ✿ A megfelelő fogantyú segítségével fordítsa felfelé a fűrészlemez alsó fedelét.

MEGJEGYZÉS: A sérülés elkerülése érdekében mindig a fogantyúval emelje fel a fűrészlemez alsó fedelét.

- ✿ Fogja meg a fűrészlemez alsó fedelét a fogantyúval.

⚠ FIGYELEM! Soha ne nyújtsa ki az ujjait, miközben a fűrészlemez alsó fedelét a fogantyúnál fogja. Ha az ujjait kinyújtja, érintkezhetnek a fűrészlemezrel és ez súlyos sérüléseket okozhat.

- ✿ Támassza az alap elülső szélét a munkadarabhoz, és emelje meg a fogantyú hátulját, hogy a fűrészlap ne érjen a munkadarabhoz.

- ☼ Kapcsolja be a fűrészét és várja meg, amíg eléri a maximális fordulatszámot.
- ☼ Helyezze be a fűrészét a munkadarabba, és végezze el a szükséges vágást.

▲ FIGYELEM! Merülő vágásoknál ezeket a vágásokat előre haladva végezze. Hátrafelé végzett vágás esetén a fűrész a munkadarabon felfelé és visszafelé mozoghat.

- ☼ Elengedje el az indítókapcsolót és várja meg, amíg a fűrészlemez teljesen leáll.
- ☼ Emelje le a fűrészét a munkadarabról.
- ☼ A sarkak tisztításához használjon kézfűrészét vagy kardfűrészét.

▲ FIGYELEM! A fűrészlap alsó fedelét soha ne rögzítse emelt helyzetben. A fűrészlap szabadon hagyása súlyos sérülésekhez vezethet.

8. ÖSSZEÁLLÍTÁS

KICSOMAGOLÁS

A készüléket össze kell állítani.

- ☼ Óvatosan vegye ki a terméket és a tartozékokat a dobozból. A Csomag tartalma részben felsorolt összes elemet a termékkel együtt kell szállítani.

▲ FIGYELEM! Az ebben az Összeszerelés részben felsorolt elemeket a gyártó nem telepítette, és azokat a vásárlónak kell összeszerelni. A helytelenül összeszerelt termék használata súlyos sérülést okozhat.

- ☼ Szállítás közben gondosan ellenőrizze a terméket, hogy nincs rajta törés vagy sérülés.
- ☼ Majd csak akkor dobja ki a csomagolóanyagokat, ha a terméket gondosan megvizsgálta és rendeltetészerűen használja.

▲ FIGYELEM! Ha bármely alkatrész megsérült vagy elveszett, ne használja a terméket, amíg az alkatrészeket ki nem cserélte. A szerszám sérült vagy hiányzó alkatrészekkel történő használata súlyos sérülést okozhat.

▲ FIGYELEM! Ne próbálja módosítani a szerszámot vagy olyan tartozékot létrehozni, amelynek használata ezzel a termékkel nem ajánlott. Minden ilyen változtatás és módosítás helytelen használatnak minősül, és veszélyes helyzetet okozhat, melynek következménye súlyos sérülés lehet.

▲ FIGYELEM! Alkatrészek telepítése előtt mindig vegye ki az akkumulátort, nehogy a szerszám véletlenül beinduljon és súlyos sérülést okozzon.

FŰRÉSZLEMEZ TELEPÍTÉSE

Lásd 1. ábra 3. oldal

▲ FIGYELEM! Ennél a szerszámnál a fűrészlemez maximális átmérője 185 mm. Soha ne használjon túl vastag fűrészlemez, hogy a lemez külső alátéte illeszkedjen a tengelyen lévő mélyedésekbe. A nagyobb fűrészlemezek érintkeznek a fűrészlemez fedelével, míg a vastagabb lemezek megakadályozzák, hogy a lemez rögzítő csavarja rögzítse a lemezt a tengelyhez. Ezen helyzetek bármelyike súlyos sérüléshez vezethet.

- ✿ Vegye ki az akkumulátort a fűrészből.
- ✿ Vegye ki a fűrészlemezkulcsot (6 mm hatlapú kulcs) a tárolórekeszből.
- ✿ Nyomja meg a tengely rögzítőgombját, csavarja le a fűrészlemez rögzítőcsavarját, és távolítsa el a külső fűrészlemez-alátétet.

MEGJEGYZÉS: Eltávolításkor forgassa el a fűrészlemez rögzítőcsavarját az óramutató járásával megegyező irányba.

FIGYELMEZTETÉS! A tengely sérülésének elkerülése vagy a tengely rögzítése érdekében a tengely rögzítőgombjának használata előtt mindig várjon, amíg a fűrész tengelye teljesen leáll.

MEGJEGYZÉS: Ne indítsa el a körfűrész, amíg a tengely reteszelő gombja le van nyomva.

- ✿ Cseppentessen egy csepp olajat a fűrészlap belső és külső alátétére, ahol érintik a fűrészlapot.

⚠ FIGYELEM! Ha a belső fűrészlemez alátéte eltávolításra került, állítsa vissza a fűrészlemez az eredeti helyzetébe, mielőtt a fűrészlemez a tengelyre helyezné. Ennek az utasításnak a be nem tartása balesetet okozhat, mert a fűrészlemez nincs megfelelően rögzítve.

- ✿ Helyezze a fűrészlemez a fűrészlemez védőjébe, majd a fűrész tengelyére. MEGJEGYZÉS: A fűrész elülső részén a fűrészlapfogaknak felfelé kell mutatniuk.
- ✿ Helyezze vissza a külső fűrészlapalátétet.
- ✿ Nyomja meg a tengely reteszelő gombját és csavarja be a fűrészlap rögzítő csavarját. Húzza meg megfelelően a fűrészlap rögzítőcsavarját az óramutató járásával ellentétes irányba forgatva.
- ✿ Helyezze vissza a fűrészlapkulcsot a megfelelő tárolóhelyre.

MEGJEGYZÉS: Soha ne használjon túl vastag fűrészlemez, amely megakadályozná, hogy a lemez külső alátéte illeszkedjen a tengelyen lévő mélyedésekbe.

FŰRÉSZLEMEZ ELTÁVOLÍTÁSA

Lásd 2. ábra 3. oldal

- ✿ Vegye ki az akkumulátort a fűrészből.
- ✿ Vegye ki a fűrészlapkulcsot a tárolóhelyről.
- ✿ Állítsa be a fűrész a bemutatott helyzetbe, nyomja meg a tengely reteszelő gombját, és az óramutató járásával megegyező irányba forgatva csavarja le a fűrészlemez rögzítő csavarját.
- ✿ Vegye le a külső fűrészlapalátétet.
- ✿ Vegye le a fűrészlemez.

9. BEÁLLÍTÁS

⚠ FIGYELEM! Alkatrészek beállítása előtt mindig vegye ki az akkumulátort, nehogy a szerszám véletlenül beinduljon és súlyos sérülést okozzon.

ÜTKÖZŐ 0° SZÖGVÁGÁSHOZ

Lásd 20. ábra 6. oldal

A fűrésznek ferde vágásoknál 0°-os helyzetben van az ütközője, amelyet gyárilag már beállítottak, hogy a fűrészlemez síkja 0°-os szöget zárjon a 90°-os szögben történő vágáskor.

ÜTKÖZŐ ELLENŐRZÉSE 0° SZÖGVÁGÁSHOZ

- ☛ Vegye ki az akkumulátort a szerszámból.
- ☛ Helyezze a fűrész a munkaszaltra úgy, hogy az alja felfelé nézzen.
- ☛ Asztalos szögmérő segítségével ellenőrizze, hogy a fűrészlemez merőleges a fűrész aljához képest.

10. A SZERSZÁM KARBANTARTÁSA

Túterhelés

Fűrészelés közben soha ne fejtsen ki túl nagy erőt. A túl nagy nyomás csökkenti a szerszám sebességét és jelentősen rontja a teljesítményt. Ez túlerhelést okozhat, ami árthat a szerszám motorjának. Ha a gép túl forró, működtesse két percig terhelés nélkül, majd egy kis időre hagyja abba a munkát. Egy tiszta ronggyal és kefével tisztítsa meg a szerszámot. Ellenőrizze, nincsenek-e eldugulva a szellőzőnyílások.

11. JÓTÁLLÁS

A jótállási jegy csak a vásárlást igazoló bizonylat felmutatásával együtt érvényes. Tegye mindkét dokumentumot biztonságos helyre. A jótállási időn belüli reklamáció esetén forduljon az eladóhoz vagy a szervizközpontozhoz. A jótállás a terméknek a jótállási időn belül keletkezett valamennyi olyan hibájára vonatkozik, amelyeket igazolhatóan anyag- vagy gyártási hiba okozott. Ilyen esetben a termék megjavításra és/vagy beállításra kerül. A jótállás nem vonatkozik a termék szokásos elhasználódására, valamint a túlmelegedés, nem megfelelő tartozék használata vagy a termék nem megfelelő kezelése által okozott hibákra.

12. MŰSZAKI ADATOK

Modell	FDUK 70305-0	
Névleges feszültség	20 V	
Fordulatszám üresben	4 300 ford./perc	
Fűrészlemez méretei	φ165 × φ16 mm	
Vágásmélység	0°	55 mm
	45°	38 mm

Tartozékok

A tétel száma	Tartozékok
FDUZ 79020	Akkumulátor 2 Ah
FDUZ 79040	Akkumulátor 4 Ah
FDUZ 79100	Gyorstöltő
FDUZ 79110	Dupla gyorsöltő

13. PROBLÉMAMEGOLDÁS

1. A kioldógomb be van nyomva, de a berendezés nem működik: Akkumulátoros berendezések esetében megfelelően feltöltött akkumulátort kell csatlakoztatni. Ha az akkumulátoros berendezés hosszabb ideig nem használja, az akkumulátor lemerül. Próbálja meg feltölteni az akkumulátort. Ellenőrizze, hogy megfelelően van-e behelyezve az akkumulátor a töltőbe. A töltő a töltés közben felmelegszik, ez normális jelenség.
2. Az akkumulátorból elektrolit szivárog: Rendkívüli hőmérséklet vagy rendkívüli terhelés esetén megjelenhet egy kis mennyiségű folyadék. Ha véletlenül hozzáér ehhez a folyadékhoz, azonnal mossa le a bőrét vagy a ruháját szappannal és vízzel.
3. Az akkumulátor nem töltődik, és a töltőn nem világít a lámpa: Ha az akkumulátor nem töltődik, ellenőrizze, hogy megfelelően van-e behelyezve a töltőbe, és hogy világít-e a jelzőfény. Ha nem világít, ellenőrizze, hogy a töltő tápkábelének csatlakozója megfelelően be van-e dugva az aljzatba. Ha igen, ellenőrizze az aljzat biztosítékát.
4. A szerszám feste hosszabb használat esetén felmelegszik: Normál terhelés mellett a test, a kioldógomb és az akkumulátor felmelegszik, mivel a vágás során felhasznált energia hőt termel. Ez normális jelenség. Elég, ha néhány percig hagyja hűlni a szerszámot.
5. Az akkumulátor használat közben felmelegszik: Az akkumulátorból felvett energia hőt termel. Az akkumulátor nem sérül, az energiateljesítmény közepes hőtermelés normális jelenség. Ha szeretné lehűteni az akkumulátort, a munka folytatása előtt hagyja pár percig hűlni a szerszámot.
6. Az akkumulátor töltés közben felmelegszik: Ez normális jelenség, amely az akkumulátorban a töltés közben lejátszó kémiai reakciók következménye.
7. A töltőegység töltés közben felmelegszik: Ez normális jelenség, amit a feszültség 230 V-ról 20 V-ra való csökkentése okoz.

14. MEGSEMMISÍTÉS



A szerszámot, újratölthető akkumulátorokat, tartozékokat és csomagolóanyagokat a környezetkímélő újrahasznosítás érdekében szét kell válogatni.

Az elektromos szerszámokat, akkumulátorokat és újratölthető akkumulátorokat ne dobja a háztartási hulladék közé!

Csak az Európai Unió országai esetében:



A 2012/19/EU európai irányelv szerint a már nem használt elektromos szerszámokat, és a 2006/66/EK európai irányelvnek megfelelően a hibás vagy használt akkumulátorokat külön kell összegyűjteni és környezetbarát módon megsemmisíteni.

A HASZNÁLT CSOMAGOLÓANYAGOKRA VONATKOZÓ MEGSEMMISÍTÉSI UTASÍTÁSOK ÉS TÁJÉKOZTATÓ

Az összes használt csomagolóanyagot a hulladékkezelő hatóság által kijelölt helyen adja le.

HASZNÁLT ELEKTROMOS ÉS ELEKTRONIKUS BERENDEZÉSEK MEGSEMMISÍTÉSE



Ez a jel a terméken vagy a kísérő dokumentációban azt jelzi, hogy a kiselejtezett elektromos és elektronikus berendezéseket nem szabad a háztartási hulladék közé dobni. Vigye el őket az erre meghatározott gyűjtőudvarokba, ahol gondoskodnak helyes megsemmisítésükről, felújításukról vagy újrahasznosításukról. Az Európai Unió egyes országában vagy más európai országokban a termékek az eladóhelyen megfelelő új termék vásárlásánál visszaválthatók lehetnek. A termék megfelelő módon történő megsemmisítésével segít megőrizni az értékes természeti erőforrásokat, és hozzájárul a nem megfelelő hulladék-megsemmisítés által okozott esetleges negatív környezeti és egészségügyi hatások megelőzéséhez. További részletekért forduljon a helyi önkormányzathoz vagy a legközelebbi hulladék-megsemmisítő gyűjtőtelephez. Az ilyen típusú hulladék helytelen megsemmisítése esetén a vonatkozó nemzeti előírásoknak megfelelően bírságok szabhatók ki.

Az Európai Unió országában működő vállalatok számára

Ha elektromos vagy elektronikus berendezést kíván megsemmisíteni, kérjen információt a termék eladójától vagy forgalmazójától. Megsemmisítés Európai Unión kívüli országokban. Ha ezt a terméket meg akarja semmisíteni, kérje a helyi hatóságoktól vagy a forgalmazótól a megsemmisítéssel kapcsolatos információkat.



Ez a termék teljesíti az EU valamennyi vonatkozó irányelvnek alapkövetelményeit.

A szövegben, kivételben és műszaki jellemzőkben előzetes figyelmeztetés nélkül változtatások történhetnek, és e változtatások jogát fenntartjuk.

Eredeti nyelvű felhasználói kézikönyv.

Akumulatorowa piła tarczowa

INSTRUKCJA OBSŁUGI

Dziękujemy za zakup akumulatorowej piły tarczowej FIELDMANN. Przed przystąpieniem do użytkowania należy uważnie zapoznać się z niniejszą instrukcją i zachować ją do wglądu w przyszłości.

SPIS TREŚCI

1. OGÓLNE WSKAZÓWKI DOTYCZĄCE BEZPIECZEŃSTWA.....	80
2. SYMBOLE.....	81
3. OPIS NARZĘDZIA I ELEMENTY DOSTAWY.....	82
4. OGÓLNE ZALECENIA BEZPIECZEŃSTWA.....	83
5. SZCZEGÓLNE ZALECENIA BEZPIECZEŃSTWA.....	86
6. OCHRONA SŁUCHU.....	86
7. OBSŁUGA.....	87
8. MONTAŻ.....	92
9. USTAWIENIA.....	93
10. DBAŁOŚĆ O URZĄDZENIE.....	94
11. GWARANCJA.....	94
12. DANE TECHNICZNE.....	94
13. ROZWIĄZYWANIE PROBLEMÓW.....	95
14. UTYLIZACJA.....	96

1. OGÓLNE WSKAZÓWKI DOTYCZĄCE BEZPIECZEŃSTWA

UWAGA!

Przed użyciem produktu należy starannie przeczytać tę instrukcję.

Ważne ostrzeżenia dotyczące bezpieczeństwa

- ✿ Ostrożnie rozpakuj urządzenie i sprawdź, czy opakowanie zawiera wszystkie elementy urządzenia; uważaj, aby nie zgubić żadnego z tych elementów.
- ✿ Przechowuj produkt w suchym miejscu, niedostępnym dla dzieci.
- ✿ Przeczytaj wszystkie ostrzeżenia i wszystkie zalecenia. Postępowanie niezgodnie z ostrzeżeniami i zaleceniami może spowodować ryzyko wypadku, pożaru i/lub poważnych obrażeń.

Opakowanie

Urządzenie zostało umieszczone w opakowaniu chroniącym je przed uszkodzeniem podczas transportu. Opakowanie jest surowcem wtórnym i można je przekazać do recyklingu.

Wskazówki dotyczące obsługi

Przed rozpoczęciem pracy z tym narzędziem przeczytaj poniższe zasady bezpieczeństwa i instrukcję obsługi. Zapoznaj się dokładnie z elementami sterującymi urządzenia i właściwym sposobem ich użycia. Przechowuj instrukcję w bezpiecznym miejscu do użytku w przyszłości. Zaleca się zachowanie co najmniej przez okres gwarancji oryginalnego opakowania wraz z elementami wewnętrznymi, paragonu i karty gwarancyjnej. Przed transportem narzędzia należy zapakować narzędzie do oryginalnego pudełka dostarczonego przez producenta, aby zapewnić maksymalną ochronę podczas transportu (np. przewożenie lub wystanie urządzenia do serwisu).

Uwaga:

Przy przekazaniu narzędzia innemu użytkownikowi, należy dotychczas do niego instrukcję. Przestrzeganie zawartych w instrukcji zaleceń dotyczących użytkowania jest warunkiem koniecznym prawidłowej obsługi urządzenia. Instrukcja obsługi oprócz zaleceń dotyczących użytkowania zawiera także informacje na temat wykonywania konserwacji i napraw.

Producent nie ponosi odpowiedzialności za wypadki lub szkody powstałe w wyniku nieprzestrzegania zaleceń zawartych w niniejszej instrukcji.

2. SYMBOLE



Ten produkt spełnia wymagania obowiązujących norm i przepisów.



Przed użyciem tego narzędzia przeczytaj uważnie instrukcję obsługi.



Używaj środków ochrony wzroku



Używaj środków ochrony słuchu



Laser AC: niebezpieczeństwo obrażeń – nie patrz bezpośrednio na iskry

3. OPIS NARZĘDZIA I ELEMENTY DOSTAWY

Opis narzędzia (por. strona 3)

- A. Przycisk odblokowania
- B. Wyłącznik
- C. Lokalizacja klucza do tarczy
- D. Dźwignia zabezpieczająca głębokość cięcia
- E. Skala szerokości cięcia
- F. Śruba mocująca cięć ukośnych
- G. Oświetlenie robocze

Dostarczone elementy

Wymij całą zawartość pudełka i sprawdź, czy podczas transportu nie doszło do uszkodzenia i czy masz do dyspozycji wszystkie poniższe elementy.

- Piła tarczowa
- Prowadnica równoległa
- 1 tarcza do pił
- Karta gwarancyjna
- Instrukcja obsługi

Jeśli któregoś z elementów brakuje lub jest uszkodzony, skontaktuj się ze sprzedawcą urządzenia.

4. OGÓLNE ZALECENIA BEZPIECZEŃSTWA

Prosimy uważnie przeczytać poniższe zalecenia bezpieczeństwa, zapamiętać je i zachować na przyszłość

⚠ OSTRZEŻENIE! Przy korzystaniu z maszyn elektrycznych i elektronarzędzi trzeba przestrzegać i dotrzymywać następujących zaleceń bezpieczeństwa ze względu na zabezpieczenie przed możliwym porażeniem prądem elektrycznym, zranieniem ludzi i niebezpieczeństwem powstania pożaru. Pojęcie „elektronarzędzie” odnosi się we wszystkich niżej podanych zaleceniach zarówno do elektronarzędzi zasilanych z sieci (przewodem zasilającym), jak i narzędzi zasilanych z akumulatora (bez przewodu zasilającego). Wszystkie ostrzeżenia i zalecenia należy przechować do ewentualnego wykorzystania w przyszłości.

Środowisko pracy

- ☼ Miejsce pracy należy utrzymywać w czystości i zapewnić w nim dobre oświetlenie. Nieporządek i niewystarczające oświetlenie miejsca pracy mogą stać się przyczyną wypadku. Porządkujemy narzędzia, z których nie korzystamy w danej chwili.
- ☼ Nie korzystamy z elektronarzędzi w środowisku zagrożonym niebezpieczeństwem powstania pożaru albo wybuchu, to znaczy w miejscach, w których występują ciecz palna, gazy albo pyły. W elektronarzędziu na komutatorze powstaje iskra, która może spowodować zapłon pyłów albo oparów.
- ☼ Przy korzystaniu z elektronarzędzi ograniczamy dostęp niepowołanych osób, a szczególnie dzieci do przestrzeni roboczej! Jeżeli będziecie rozpraszani, możecie stracić kontrolę nad wykonywaną czynnością. W żadnym razie nie pozostawiamy elektronarzędzi bez nadzoru. Uniemożliwiamy dostęp zwierząt do tych urządzeń.

Bezpieczeństwo elektryczne

- ☼ Wtyczka przewodu zasilającego elektronarzędzia musi pasować do gniazdka sieciowego. Nigdy i w żaden sposób nie przerabiamy konstrukcji wtyczki. Do zasilania narzędzia, które ma we wtyczce przewodu zasilającego styk ochronny (bolec), nigdy nie stosujemy rozgałęźników, ani innych elementów przejściowych. Nieuszkodzona wtyczka i odpowiednie gniazdko ograniczają niebezpieczeństwo porażenia prądem elektrycznym. Uszkodzone albo poplątane przewody zasilające zwiększają niebezpieczeństwo porażenia prądem elektrycznym. Jeżeli przewód sieciowy jest uszkodzony, to trzeba go wymienić na nowy przewód sieciowy, który można zakupić w autoryzowanym ośrodku serwisowym albo u importera.
- ☼ Wystrzegamy się dotykania ciałem do uziemionych przedmiotów takich, jak na przykład rurociągi, grzejniki centralnego ogrzewania, kuchenki i lodówki. Niebezpieczeństwo porażenia prądem elektrycznym jest większe, jeżeli nasze ciało jest połączone z ziemią.
- ☼ Nie narażamy elektronarzędzi na działanie deszczu, wilgoci albo mokrego środowiska. Elektronarzędzi nigdy nie dotykamy mokrymi rękami. Elektronarzędzi nigdy nie myjemy pod bieżącą wodą, ani nie zanurzamy do wody.
- ☼ Przewodu zasilającego nie używamy do innego celu, niż ten, do którego jest przeznaczony. Nigdy nie nosimy i nie ciągniemy elektronarzędzi za przewód zasilający. Nie wyciągamy wtyczki z gniazdka przez pociągnięcie za przewód. Chronimy przewody elektryczne przed uszkodzeniami mechanicznymi spowodowanymi przez ostre albo gorące przedmioty.
- ☼ Elektronarzędzie zostało wykonane wyłącznie do zasilania prądem elektrycznym. Zawsze sprawdzamy, czy napięcie elektryczne w sieci odpowiada danym zamieszczonym na tabliczce znamionowej narzędzia.

- ✿ Nigdy nie pracujemy z narzędziem, które ma uszkodzony przewód elektryczny albo wtyczkę, ewentualnie upadło na ziemię i jest uszkodzone w jakikolwiek inny sposób.
- ✿ W przypadku zastosowania przedłużacza zawsze sprawdzamy, czy jego parametry techniczne odpowiadają danym zamieszczonym na tabliczce znamionowej narzędzia.
Jeżeli elektronarzędzie jest wykorzystywane na zewnątrz, trzeba stosować przedłużacz przystosowany do użytku zewnętrznego. Przy zastosowaniu przedłużacza zwijanego na szpuli, trzeba go rozwinąć, aby nie doszło do przegrzania przewodu.
- ✿ Jeżeli elektronarzędzie ma być wykorzystywane w pomieszczeniu wilgotnym albo na zewnątrz, to można z niego korzystać tylko, jeżeli jest podłączone do obwodu elektrycznego z wyłącznikiem różnicowoprądowym ≤ 30 mA.. Korzystanie z obwodu elektrycznego z wyłącznikiem różnicowoprądowym / RCD/ zmniejsza zagrożenie porażenia prądem elektrycznym.
- ✿ Ręczne elektronarzędzia trzymamy wyłącznie za izolowane uchwyty przeznaczone do ich trzymania, ponieważ przy pracy może dojść do kontaktu narzędzia tnącego albo wierzącego z niewidocznym przewodem albo z przewodem zasilającym nasze narzędzie.

Bezpieczeństwo osób

- ✿ Przy korzystaniu z elektronarzędzi musimy być ostrożni i przewidujący, poświęcić maksymalną uwagę czynności, którą właśnie wykonujemy. Koncentrujemy się na swojej pracy. Nie pracujemy z elektronarzędziem, jeżeli jesteśmy zmęczeni albo jesteśmy pod wpływem narkotyków, alkoholu albo lekarstw. Nawet chwilowa nieuwaga przy korzystaniu z elektronarzędzi może spowodować poważny wypadek z udziałem osób. Przy pracy z elektronarzędziem nie wolno jeść, pić i palić tytoniu.
- ✿ Korzystamy ze środków ochronnych. Zawsze korzystamy ze środków do ochrony oczu. Stosujemy środki ochronne odpowiadające rodzajowi pracy, którą wykonujemy. Środki ochronne, jak na przykład respirator, obuwie bezpieczeństwa z zabezpieczeniem przeciwpoślizgowym, nakrycie głowy albo ochrona słuchu stosowane zgodnie z warunkami pracy zmniejszają ryzyko wypadku z udziałem osób.
- ✿ Wstrzegamy się niekontrolowanego włączenia narzędzia. Nie przenosimy narzędzia, które jest włączone do sieci elektrycznej, z palcem na wyłączniku albo na przycisku do włączenia.
Przed podłączeniem do napięcia elektrycznego sprawdzamy, czy wyłącznik albo przycisk są w położeniu „wyłącz”. Przenoszenie narzędzia z palcem na wyłączniku albo z włączoną wtyczką narzędzia do gniazdka przy włączonym wyłączniku w instalacji może być przyczyną poważnego wypadku.
- ✿ Przed włączeniem narzędzia usuwamy wszystkie klucze i przyrządy służące do regulacji. Klucz do regulacji albo inny przyrząd, który będzie pozostawiony przymocowany do obracającej się części elektronarzędzia może spowodować obrażenia u osób.
- ✿ Zawsze utrzymujemy stabilną pozycję i równowagę. Pracujemy tylko tam, dokąd bezpiecznie sięgamy. Nigdy nie przeceniamy własnych możliwości. Nie korzystamy z elektronarzędzi, jeżeli jesteśmy zmęczeni.
- ✿ Ubieramy się w odpowiedni sposób. Korzystamy z odzieży roboczej. Nie nosimy luźnych ubrań, ani biżuterii. Dbamy o to, aby nasze włosy, ubranie, rękawice albo jakaś inna część ciała nie znalazła się w bezpośredniej bliskości wirujących albo rozgrzanych części elektronarzędzi.
- ✿ Podłączamy urządzenie do odsysania pyłu. Jeżeli narzędzie ma możliwość podłączenia urządzenia do wychwytywania albo odsysania pyłu zapewniamy, aby zostało ono dobrze podłączone i wykorzystywane. Korzystanie z tych urządzeń może ograniczyć niebezpieczeństwo spowodowane obecnością pyłu.
- ✿ Dobrze zamocowujemy obrabiany przedmiot. Korzystamy z zacisku stolarskiego albo ścisku do mocowania części, która będzie obrabiana.
- ✿ Nie korzystamy z elektronarzędzi będąc pod wpływem alkoholu, narkotyków, lekarstw albo innych substancji odurzających i uzależniających.

- ☼ To urządzenie nie jest przeznaczone do używania przez osoby (łącznie z dziećmi) o zmniejszonych predyspozycjach fizycznych, umysłowych albo mentalnych albo nie posiadające odpowiedniej wiedzy i doświadczenia, jeżeli nie są one pod dozorem albo nie zostały pouczone o zasadach korzystania z tych urządzeń przez osoby odpowiedzialne za ich bezpieczeństwo. Dzieci muszą być pod dozorem, aby mieć pewność, że nie będą się bawić tym urządzeniem.

Korzystanie z narzędzi akumulatorowych

- ☼ Przed włożeniem akumulatora sprawdzamy, czy wyłącznik jest w położeniu „0-wyłącz”. Włożenie akumulatora do włączonego elektronarzędzia może doprowadzić do niebezpiecznych sytuacji.
- ☼ Do ładowania akumulatorów stosujemy tylko ładowarki zalecane przez producenta. Zastosowanie ładowarki do innego typu akumulatora może spowodować jego uszkodzenie i powstanie pożaru.
- ☼ Korzystamy tylko z akumulatorów przeznaczonych dla danego narzędzia. Zastosowanie innych akumulatorów może spowodować wypadek albo powstanie pożaru.
- ☼ Jeżeli akumulator nie jest wykorzystywany, należy go przechowywać oddzielnie od takich przedmiotów metalowych, jak zaciski, klucze, śruby i inne drobne przedmioty metalowe, które mogą spowodować zwarcie styków akumulatora. Zwarcie akumulatora spowodować wypadek, oparzenia albo powstanie pożaru.
- ☼ Z akumulatorami należy postępować ostrożnie. Przy nieostrożnym postępowaniu z akumulatora mogą się wydostać zawarte w nim chemikalia. Unikamy kontaktu z takimi substancjami, a jeżeli dojdzie do takiego kontaktu, myjemy zanieczyszczone miejsce strumieniem bieżącej wody. Jeżeli substancja chemiczna przedostanie się do oczu, należy natychmiast wezwać pomoc lekarską. Substancja chemiczna z akumulatora może spowodować poważne obrażenia ciała.

Serwis

- ☼ Nie wymieniamy części narzędzia, nie wykonujemy napraw we własnym zakresie, ani w inny sposób nie ingerujemy do konstrukcji narzędzia. Naprawy narzędzia powierzamy specjalistom.
- ☼ Każda naprawa albo przeróbka wyrobu bez upoważnienia naszej spółki jest niedopuszczalna (może spowodować obrażenia ciała albo straty materialne).
- ☼ Elektronarzędzia zawsze oddajemy do naprawy do certyfikowanego ośrodka serwisowego. Stosujemy tylko oryginalne albo zalecane części zamienne. W ten sposób zapewniamy bezpieczeństwo własne i swojego narzędzia.

5. SZCZEGÓLNE ZALECENIA BEZPIECZEŃSTWA

⚠ UWAGA! Przed uruchomieniem prosimy uważnie przeczytać niniejsze zalecenia bezpieczeństwa i zachować je na przyszłość.

- ✿ Należy upewnić się, napięcie w sieci odpowiada danym umieszczonym na tabliczce znamionowej urządzenia. Wyrzynarka jest wyposażona w przewód dwubiegunowy i wtyk!
- ✿ Podczas pracy należy stosować okulary ochronne i w razie powstawania zapylenia przy cięciu lub wierceniu również maskę. Podczas dłużej trwającej pracy z użyciem narzędzia lub przy dużym poziomie hałasu należy stosować odpowiednie ochroniacze słuchu.
- ✿ Jeżeli wyrzynarka jest wyposażona w przyłączy do odkurzacza lub pochłaniacza pyłu, należy bezwzględnie używać tych urządzeń. Worek na odpady należy regularnie wymieniać.
- ✿ Obrabiany element przed rozpoczęciem pracy należy dobrze zamocować. Zapewnia to większe bezpieczeństwo pracy niż przytrzymywanie obrabianego elementu ręką.
- ✿ Przewód zasilający należy ułożyć w sposób zapewniający bezpieczeństwo podczas pracy.
- ✿ Należy sprawdzić czy nie występuje zagrożenie uszkodzenia przewodu podczas pracy.
- ✿ W przypadku nieprzestrzegania zaleceń zamieszczonych w tej instrukcji, zagraża ryzyko wypadku.
- ✿ Wyrzynarka spełnia wymogi obowiązujących przepisów i norm technicznych.
- ✿ Podczas pracy z wyrzynarką osłona powinna być opuszczona.
- ✿ Okresowo kontrolujemy obie śruby w uchwycie brzeszczotu.
- ✿ Nie korzystamy z uszkodzonych albo zużytych brzeszczotów.
- ✿ Okresowo kontrolujemy ustawienie rolki prowadzącej.
- ✿ Nie włączamy wyrzynarki, jeżeli brzeszczot znajduje się w materiale.
- ✿ Nigdy nie obciążamy wyrzynarki tak, aby silnik się zatrzymał.
- ✿ Nigdy nie przyspieszamy zatrzymania się brzeszczotu nawet, jeżeli silnik jest już wyłączony.
- ✿ Brzeszczot wysuwa się bardzo szybko. Zęby brzeszczotu są bardzo ostre.
- ✿ Brzeszczotu nigdy nie kierujemy w stronę innych osób.
- ✿ Korzystamy ze środków ochronnych zabezpieczających przed hałasem, pyłem i wibracjami!!!

⚠ UWAGA! Te zalecenia bezpieczeństwa należy zachować na przyszłość!!!

6. OCHRONA SŁUCHU

⚠ UWAGA! Jeżeli podczas pracy wartość ciśnienia akustycznego przekroczy 90,2 dB(A), należy stosować odpowiednią ochronę słuchu. Przeciwdziała to uszkodzeniu słuchu!

7. OBSŁUGA

- ⚠ UWAGA!** Nie pozwól, aby znajomość tego produktu doprowadziła do nieostrożności. Pamiętaj, że chwilowa nieostrożność podczas pracy wystarczy do spowodowania poważnych obrażeń.
- ⚠ UWAGA!** Zawsze używaj środków ochrony wzroku z bocznymi osłonami oznaczonymi tak, aby spełniały wymagania normy ANSI Z87.1. Niezastosowanie się do tego zalecenia może spowodować kontakt oczu z odrzuconym przedmiotem lub inne poważne obrażenia.
- ⚠ UWAGA!** Nie używaj akcesoriów lub dodatków, które nie są zalecane przez producenta produktu. Używanie niezalecanych akcesoriów lub dodatków może prowadzić do poważnych obrażeń.
- ⚠ UWAGA!** Nigdy nie używaj do tej piły żadnych tarcz do przecinarek. Użycie tarcz, które nie są przeznaczone do cięcia drewna, może spowodować uszkodzenie majątku lub poważne obrażenia.

APLIKACJA

Ten produkt może być używany do następujących celów:

- ✿ Cięcie wszystkich rodzajów produktów drewnianych (tarcica, sklejka, boazeria, płyty wiórowe i twarde drewno)

WŁOŻENIE/WYJĘCIE AKUMULATORA

Patrz rys. 3, strona 3.

- ✿ Włóż akumulator do narzędzia jak pokazano na obrazku.
- ✿ Przed rozpoczęciem pracy upewnij się, że obie zapadki po obu stronach akumulatora zaskoczyły na właściwe miejsce i że akumulator jest dobrze umocowany.
- ✿ Wciśnij zapadki, aby umożliwić wyjęcie akumulatora.

Kompletne instrukcje dotyczące ładowania znajdziesz w instrukcjach obsługi akumulatora i ładowarki.

- ⚠ UWAGA!** Narzędzia akumulatorowe zawsze są w stanie gotowości. Dlatego jeśli nie używasz narzędzia lub przenosisz je przy boku, włącznik powinien być zawsze zablokowany.

ODRZUT

Patrz rys. 4–7, strona 4.

Do odrzutu dojdzie w sytuacji, gdy tarcza piły szybko się zatrzyma, a piła zacznie szybko się poruszać wstecz w twoim kierunku. Przyczyną zablokowania tarczy może być jakakolwiek czynność, podczas której dojdzie do utknięcia tarczy w drewnie.

- ⚠ ZAGROŻENIE!** Jeśli dojdzie do utknięcia lub zablokowania tarczy, natychmiast zwolnij włącznik piły. Odrzut może spowodować utratę kontroli nad piłą. Utrata kontroli nad narzędziem może być przyczyną poważnych obrażeń.

Jeśli chcesz się ochronić przed odrzutem, unikaj poniższych niebezpiecznych czynności:

- ✿ Niewłaściwe ustawienie głębokości tarczy piły.
- ✿ Cięcie przez sęk lub gwóźdź w obrabianym materiale.
- ✿ Kręcenie tarczy piły podczas wykonywania cięcia.

- ✿ Cięcie przy pomocy tępą, oblepioną lub niewłaściwie ustawioną tarczycy.
- ✿ Niewłaściwe oparcie obrabianego materiału.
- ✿ Oddziaływanie siły na tarczę.
- ✿ Cięcie zdeformowanego lub wilgotnego materiału.
- ✿ Niewłaściwe użycie narzędzia lub niewłaściwe obchodzenie się z narzędziem.

Jeśli chcesz uniknąć odrzutu, przestrzegaj następujących zasad bezpieczeństwa:

- ✿ Utrzymuj tarczę do piły na prawidłowo ustawionej głębokości. Ustawiona głębokość nie może przekroczyć 6,5 mm pod ciętym materiałem.
- ✿ Przed rozpoczęciem cięcia skontroluj, czy w obrabianym materiale nie ma sęków lub gwoździ. Nigdy nie wykonuj cięcia przez sęk lub gwoździ.
- ✿ Wykonuj proste cięcia. Podczas wykonywania cięć wzdłużnych używaj prowadnicy krawędziowej do piły. Pomaga to zapobiegać obracaniu się tarczy.
- ✿ Używaj czystych, naostrzonych i dobrze zamontowanych tarcz do piły. Nigdy nie wykonuj cięć tępymi tarczami.
- ✿ Przed rozpoczęciem cięcia dobrze podeprzyj obrabiany materiał.
- ✿ Podczas cięcia używaj stałego i równomiernego nacisku. Nigdy nie wykonuj cięcia siłą.
- ✿ Nie tnij zdeformowanego lub wilgotnego materiału.
- ✿ Trzymaj piłę mocno obiema rękami i utrzymuj stabilną postawę, aby w razie konieczności oprzeć się sile odrzutu.

⚠ UWAGA!

Podczas używania tej piły zachowaj ostrożność i miej prace pod kontrolą. Nie wyjmuj piły z obrabianego materiału.

TARCZE DO PIŁ

Nawet najlepsze tarcze do pił nie będą ciąć efektywnie, jeśli nie będą utrzymane w czystości, jeśli nie będą naostrzone lub jeśli będą niewłaściwie ustawione. W przypadku użycia tępą tarczycy na piłę będzie przenoszone duże obciążenie i wzrośnie ryzyko odrzutu. Zawsze miej przygotowane do dyspozycji inne tarcze do pił.

Żywica i smoła, która stwardniała na tarczy, będzie spowalniać piłę. Wyjmij tarczę z piły i usuń te osady przy pomocy środka do usuwania żywicy i smoły, gorącej wody lub nafty.

NIE UŻYWAJ BENZYN.

SYSTEM OCHRONY TARCZY DO PIŁ

Patrz rys. 8, strona 4.

Dolna osłona tarczy przymocowana do tej piły służy do zapewnienia ci ochrony i bezpieczeństwa. Pod żadnym pozorem nigdy jej samodzielnie nie naprawiaj. Jeśli dojdzie do uszkodzenia osłony, nie używaj piły, aż do czasu naprawy lub wymiany osłony. Podczas pracy z piłą zawsze trzymaj tę osłonę w pozycji roboczej.

⚠ ZAGROŻENIE! Podczas cięcia przez obrabiany materiał dolna osłona nie przesłania tarczy na spodniej stronie obrabianego materiału. Ponieważ tarcza do pił na dolne obrabianego materiału nie jest zakryta, zachowaj bezpieczną odległość rąk i palców od miejsca cięcia. Jeśli jakkolwiek część ciała dostanie się do kontaktu z tarczą do pił, dojdzie do poważnych obrażeń.

⚠ UWAGA! Nigdy nie używaj piły, jeśli osłona nie działa prawidłowo. Przed każdym użyciem piły sprawdź, czy osłona działa prawidłowo. Osłona działa prawidłowo, jeśli porusza się swobodnie i jeśli automatycznie powraca do pozycji zamkniętej. Jeśli piła spadnie, przed ponownym użyciem skontroluj przy ustawieniu wszystkich głębokości cięcia, czy nie doszło do uszkodzenia osłony tarczy lub docisku.

URUCHAMIANIE/WYŁĄCZANIE PIŁY

Patrz rys. 9, strona 4.

Piła jest wyposażona w oświetlenie robocze, które się zapali po wciśnięciu spustu włącznika i wyłączy się po zwolnieniu włącznika.

Uruchamianie piły:

- ☛ Wciśnij przycisk odblokowania.
- ☛ Wciśnij włącznik.

Zawsze odczekaj do osiągnięcia przez piłę maksymalnych obrotów, potem wprowadzaj piłę w obrabiany materiał.

⚠ UWAGA! Kontakt tarczy do piły z obrabianym materiałem przed osiągnięciem maksymalnych obrotów mógłby spowodować odrzut i odrzucenie piły wstecz w twoim kierunku, co mogłoby prowadzić do poważnych obrażeń.

Zatrzymanie piły: zwolnij spust włącznika.

Gdy zwolnisz spust włącznika, odczekaj do pełnego zatrzymania tarczy. Nie wyjmuj piły z obrabianego materiału.

PRZYCIŚK ODBLOKOWANIA

Patrz rys. 9, strona 4.

Ten przycisk odblokowania organiczna możliwość przypadkowego uruchomienia. Ten przycisk odblokowania jest umieszczony na uchwycie na włączniku. Przycisk odblokowania musi zostać wciśnięty przed wciśnięciem spustu włącznika. Bezpiecznik zostanie zresetowany po każdym wciśnięciu włącznika.

UWAGA: Przycisk odblokowania może zostać wciśnięty z lewej i z prawej strony.

REGULACJA GŁĘBOKOŚCI TARCZY DO PIŁY

Patrz rys. 10, strona 4.

Zawsze dbaj o prawidłowe ustawienie głębokości tarczy. Właściwie ustawiona głębokość dla wszystkich cięć nie może przekroczyć 6,5 mm pod obrabianym materiałem. Większa głębokość tarczy zwiększy prawdopodobieństwo odrzutu i spowoduje większą chropowatość powierzchni cięcia. Aby zwiększyć precyzję cięcia, na górnej osłonie tarczy umieszczono skalę.

- ☛ Zwolnij dźwignię mocującą głębokość przez podniesienie ku górze i w stronę od podstawy.
- ☛ Określ pożądaną głębokość cięcia.
- ☛ Użyj miary głębokości cięcia, która znajduje się na tylnej stronie górnej osłony tarczy.
- ☛ Trzymaj podstawę równoległe do obrabianego materiału lub opuszczaj piłę aż wskaźnik na uchwycie zrówna się z nacięciem na osłonie tarczy.
- ☛ Dobrze dociśnij dźwignię mocującą głębokości cięcia ku dołowi i w kierunku podstawy.

⚠ ZAGROŻENIE! OBSŁUGA PIŁY

Patrz rys. 11 – 13, strona 5.

⚠ UWAGA! Zawsze dbaj o to, aby mieć kontrolę nad piłą, aby cięcie było łatwiejsze i bezpieczniejsze. Utrata kontroli nad piłą mogłaby prowadzić do wypadków i do poważnych obrażeń.

Jeśli chcesz osiągnąć najwyższą jakość cięcia, stosuj się do poniższych praktycznych wskazówek.

- ☛ Trzymaj piłę mocno obiema rękami.

- ✿ Podczas wykonywania cięcia unikaj kładzenia rąk na materiale.
- ✿ Podeprzyj materiał tak, aby cięcie znajdowało się zawsze po twojej stronie.
- ✿ Podeprzyj materiał w pobliżu cięcia.
- ✿ Umocuj obrabiany materiał przy pomocy zacisków lub w inny praktyczny sposób tak, aby podczas cięcia się nie poruszał.
- ✿ Zawsze kładź piłę na materiale, który jest dobrze podparty, nie odcinaj kawałków materiału.
- ✿ Obrabiany materiał kładź tak, aby jego lepsza strona znajdowała się na dole.
- ✿ Przed rozpoczęciem cięcia narysuj linię prowadzącą wzdłuż pożądanej linii cięcia.

CIĘCIE UKOŚNE I WZDŁUŻNE

Patrz rys. 14, strona 5.

Wykonując proste cięcie skośne lub wzdłużne, wyrównaj linię cięcia z nacięciem 00 na prowadnicy tarczy do pił na podstawie.

Ponieważ grubość tarcz do pił jest różna, zawsze wykonuj cięcie próbne wzdłuż prowadnicy na materiale odpadowym, aby przekonać się, jak duży zapas musi mieć prowadnica do osiągnięcia precyzyjnego cięcia, jeśli taki zapas jest konieczny.

UWAGA: Odległość od linii cięcia od prowadnicy to wartość, jaką musi mieć zapas tej prowadnicy.

CIĘCIE WZDŁUŻNE

Patrz rys. 15, strona 5.

Wykonując tą piłą cięcia wzdłużne lub szerokie cięcia wzdłużne korzystaj z prowadnicy.

- ✿ Umocuj obrabiany materiał.
- ✿ Przymocuj do materiału prostą listwę przy pomocy zacisków w kształcie C.
- ✿ Prowadź cięcie wzdłuż tej listwy, aby osiągnąć proste wzdłużne cięcie.

UWAGA: Unikaj utknięcia tarczy w cięciu.

SKALA SZEROKOŚCI CIĘCIA

Patrz rys. 16, strona 5.

Skala szerokości cięcia jest umieszczona na podstawie piły. Wykonując proste cięcia ukośne lub cięcia wzdłużne można użyć tej skali do ustawienia wartości do 115 mm na prawej stronie tarczy i do wartości 25 mm na lewej stronie tarczy.

CIĘCIA UKOŚNE

Patrz rys. 17–18, strona 5–6.

- ✿ Ustaw kąt cięcia ukośnego na pożądaną wartość między zero a 56°. Patrz następną część Ustawienia kąta cięcia ukośnego.
- ✿ Wykonując proste cięcie ukośne pod kątem 45°, wyrównaj linię cięcia z nacięciem 45° na prowadnicy tarczy do pił na podstawie.
- ✿ Wykonaj cięcie próbne na materiale odpadowym, aby przekonać się, jak duży zapas musi mieć prowadnica.

USTAW KĄT CIĘCIA UKOŚNEGO

Patrz rys. 18, strona 6.

- ✿ Zwolnij śrubę mocującą do cięć ukośnych.
- ✿ Podnoś część piły z silnikiem, aż na skali kąta cięć ukośnych osiągniesz pożądaną wartość kąta.
- ✿ Przykręć śrubę mocującą do cięć ukośnych.

⚠ UWAGA! Wykonywanie cięć ukośnych bez prawidłowego dokręcenia śruby mocującej do cięć ukośnych może być przyczyną poważnych obrażeń.

UWAGA: Dla cięć ukośnych z kątem 56° lub większym przesunij śrubę mocującą do cięć ukośnych do szczeliny w pozycji 56° oznaczonej na skali do cięć ukośnych, i bezpiecznie dokręć tę śrubę mocującą.

WYKONYWANIE CIĘCIA UKOŚNEGO

Patrz rys. 18, strona 6.

- ✿ Trzymaj piłę mocno obiema rękami jak pokazano na obrazku.
 - ✿ Oprzyj przednią krawędź podstawy o obrabiany materiał.
 - ✿ Włącz piłę i poczekaj na osiągnięcie maksymalnych obrotów.
 - ✿ Wprowadź piłę w obrabiany materiał i wykonaj pożądane cięcie.
 - ✿ Zwolnij spust włącznika i odczekaj do pełnego zatrzymania tarczy.
 - ✿ Podnieś piłę z obrabianego materiału.
- Patrz rys. 19, strona 16.

CIĘCIE WGLĘBNE

⚠ UWAGA! Przed wykonaniem cięcia wglębnego zawsze ustaw kąt cięcia ukośnego na zero. Przy próbie wykonania cięcia wglębnego przy innych ustawieniach może dojść do utraty kontroli nad piłą i do poważnych obrażeń.

- ✿ Ustaw kąt cięcia ukośnego na zero.
- ✿ Ustaw tarczę na właściwą głębokość cięcia.
- ✿ Przy pomocy odpowiedniego uchwytu obróć dolny uchwyt tarczy ku górze.

UWAGA: Zawsze podnoś dolną osłonę tarczy przy pomocy uchwytu, aby zapobiec ewentualnym obrażeniom.

- ✿ Trzymaj dolną osłonę tarczy przy pomocy uchwytu.

⚠ UWAGA! Nigdy nie wysuwaj palców, jeśli trzymasz osłonę tarczy za uchwyt. Przy wysunięciu palców może dojść do ich kontaktu z tarczą, a w konsekwencji do poważnych obrażeń.

- ✿ Oprzyj przednią krawędź podstawy o obrabiany materiał i podnieś tylną część uchwytu tak, aby tarcza nie dotykała obrabianego materiału.
- ✿ Włącz piłę i poczekaj na osiągnięcie maksymalnych obrotów.
- ✿ Wprowadź piłę w obrabiany materiał i wykonaj pożądane cięcie.

⚠ UWAGA! Cięcia wglębne wykonuj w kierunku do przodu.

Cięcie w kierunku do tyłu mogłoby spowodować ruch piły ku górze po materiale i z powrotem ku tobie.

- ✿ Zwolnij spust włącznika i odczekaj do pełnego zatrzymania tarczy.
- ✿ Podnieś piłę z obrabianego materiału.
- ✿ Przy pomocy piły ręcznej lub piły mieczowej wygładź rogi.

⚠ UWAGA! Nigdy nie mocuj dolnej osłony tarczy w podniesionej pozycji. Pozostawienie odsoniętej tarczy mogłoby prowadzić do poważnych obrażeń.

8. MONTAŻ

WYPAKOWANIE

Ten produkt wymaga montażu.

- ✿ Ostrożnie wypakuj produkt i wszystkie akcesoria z pudełka. Wszystkie pozycje wymienione w części Zawartość opakowania muszą być dostarczone wraz z tym produktem.

⚠ UWAGA! Pozycje wymienione w części Montaż nie są zainstalowane przez producenta i wymagają montażu przez klienta. Użycie niewłaściwie zmontowanego produktu może powodować poważne obrażenia.

- ✿ Przeprowadź staranną kontrolę produktu, aby ustalić, czy podczas transportu nie doszło do jego zniszczenia lub uszkodzenia.
- ✿ Nie wyrzucaj materiału opakowaniowego przed starannym skontrolowaniem produktu i jego użytkowania.

⚠ UWAGA! Jeśli jakiegokolwiek części są uszkodzone lub jeśli doszło do ich zagubienia, nie używaj produktu przed wymianą danych części. Używanie tego produktu z uszkodzonymi lub brakującymi częściami może spowodować poważne obrażenia.

⚠ UWAGA! Nie próbuj samodzielnie dokonywać przeróbek tego produktu lub tworzyć akcesoriów, które nie są zalecane do użycia z tym produktem. Każda taka zmiana lub przeróbka stanowi niewłaściwy sposób użycia i może prowadzić do niebezpiecznej sytuacji i w konsekwencji do poważnych obrażeń.

⚠ UWAGA! Podczas montażu części zawsze należy wyjąć z urządzenia akumulator, aby zapobiec przypadkowemu uruchomieniu, które mogłoby spowodować poważne obrażenia.

MONTAŻ TARCZY

Patrz rys. 1, strona 3.

⚠ UWAGA! Maksymalna średnica tarczy na tym narzędziu wynosi 185 mm. Nigdy nie używaj tarczy o zbyt dużej grubości, aby umożliwić zapadnięcie podkładki zewnętrznej tarczy w odpowiednie miejsca na wale. Większe tarcze będą miały kontakt z osłoną tarczy, natomiast grubsze tarcze nie pozwolą na to, aby śruba mocująca tarczy zabezpieczyła tarczę na wale. Którakolwiek z tych sytuacji może doprowadzić do poważnych obrażeń.

- ✿ Wyjmij z piły akumulator.
 - ✿ Wyjmij z pojemnika klucz do tarczy (klucz sześciokątny 6 mm).
 - ✿ Wciśnij przycisk mocowania wału, odkręć śrubę mocującą tarczy i zdejmij zewnętrzną podkładkę tarczy.
- UWAGA: Podczas demontażu obracaj śrubę tarczy w kierunku ruchu wskazówek zegara.

UWAGA! Aby zapobiec uszkodzeniu wału lub aby zabezpieczyć wał przez użyciem przycisku blokowania wału, zawsze odczekaj do pełnego zatrzymania wału piły.

UWAGA: Nie uruchamiaj piły, jeśli wciśnięty jest przycisk blokady wału.

- ☼ Nanieś kropelkę oleju na wewnętrzną i zewnętrzną podkładkę tarczy w miejscu, gdzie dotykają tarczy.

⚠ UWAGA! Jeżeli wewnętrzna podkładka tarczy zostanie zdjęta, przed umieszczeniem tarczy na wale, umieść tę podkładkę z powrotem na swoim miejscu. Jeśli nie zostanie spełniony ten warunek, może dojść do wypadku, ponieważ tarcza nie będzie prawidłowo umocowana.

- ☼ Załóż tarczę do osłony ochronnej tarczy i na wał piły. UWAGA: Zęby tarczy muszą na przedniej części piły być skierowane ku górze.
- ☼ Załóż z powrotem zewnętrzną podkładkę tarczy.
- ☼ Wciśnij przycisk blokowania wału i przykręć śrubę mocującą tarczy. Dobrze dokręć śrubę mocującą tarczy, obracając ją w kierunku przeciwnym do ruchu wskazówek zegara.
- ☼ Umieść klucz z powrotem na swoim miejscu.

UWAGA: Nigdy nie używaj tarczy, która ma zbyt dużą grubość, która nie umożliwiłaby prawidłowego założenia zewnętrznej podkładki na odpowiednie miejsca na wale.

DEMONTAŻ TARCZY

Patrz rys. 2, strona 3.

- ☼ Wyjmij z piły akumulator.
- ☼ Wyjmij klucz do tarczy ze skrytki.
- ☼ Ustaw piłę w pokazanej pozycji, wciśnij przycisk blokady wału i odkręć śrubę mocującą tarczy, obracając w kierunku ruchu wskazówek zegara.
- ☼ Zdejmij zewnętrzną podkładkę tarczy.
- ☼ Zdejmij tarczę.

9. USTAWIENIA

⚠ UWAGA! Podczas regulacji zawsze należy wyjąć z urządzenia akumulator, aby zapobiec przypadkowemu uruchomieniu, które mogłoby spowodować poważne obrażenia.

DOCISK DLA CIĘCIA UKOŚNEGO 0°

Patrz rys. 20, strona 6.

Ta piła posiada docisk w pozycji 0° dla cięcia ukośnego, który został ustawiony fabrycznie, aby zagwarantować kąt 0° dla płaszczyzny tarczy podczas cięć pod kątem 90°.

KONTROLA DOCISKU DLA CIĘCIA UKOŚNEGO 0°

- ☼ Wyjmij z narzędzia akumulator.
- ☼ Połóż piłę na stole roboczym dolną stroną ku górze.
- ☼ Przy pomocy kątownika stolarskiego sprawdź kąt prosty płaszczyzny tarczy względem podstawy piły.

10. DBAŁOŚĆ O URZĄDZENIE

Przeciążenie

Nie używaj nadmiernej siły podczas cięcia. Nadmierny nacisk zmniejsza prędkość urządzenia i zmniejsza wymaganą moc. Może dojść do przeciążenia, które może uszkodzić silnik urządzenia. Jeżeli urządzenie jest zbyt gorące, pozwól mu pracować przez dwie minuty bez obciążenia, a następnie przerwij pracę na jakiś czas. Oczyszcz urządzenie czystą szmatką i szczoteczka. Sprawdź, czy otwory wentylacyjne nie są zablokowane.

11. GWARANCJA

Karta gwarancyjna jest ważna tylko po okazaniu wraz z dowodem zakupu. Przechowuj oba dokumenty w bezpiecznym miejscu. W sprawie roszczeń gwarancyjnych należy skontaktować się ze sprzedawcą lub centrum serwisowym. Gwarancja obejmuje wszystkie wady produktu oraz wady powstałe w okresie gwarancyjnym, które w sposób oczywisty są spowodowane przez wady materiałowe lub produkcyjne. W takich wypadkach produkt zostanie naprawiony i/lub wyregulowany. Gwarancja nie obejmuje standardowego zużycia produktu oraz usterek spowodowanych przegrzaniem, użyciem nieodpowiednich akcesoriów lub nieprawidłową obsługą produktu.

12. DANE TECHNICZNE

Model	FDUK 70305-0	
Napięcie znamionowe	20 V	
Obroty na biegu jałowym	4300 obr./min	
Wymiary tarczy	φ165 × φ16 mm	
Głębokość cięcia	0°	55 mm
	45°	38 mm

Akcesoria

Numer pozycji	Akcesoria
FDUZ 79020	Akumulator 2 Ah
FDUZ 79040	Akumulator 4 Ah
FDUZ 79100	Szybka ładowarka
FDUZ 79110	Podwójna szybka ładowarka

13. ROZWIĄZYWANIE PROBLEMÓW

1. Spust jest wciśnięty, ale urządzenie nie działa: W przypadku urządzeń akumulatorowych należy podłączyć akumulator o wystarczającym poziomie naładowania. Jeżeli urządzenie akumulatorowe nie będzie używane przez dłuższy czas, nastąpi rozładowanie akumulatora. Spróbuj naładować akumulator. Sprawdź, czy akumulator jest prawidłowo włożony do ładowarki. Ładowarka nagrzewa się podczas ładowania, jest to normalne zjawisko.
2. Wyciek elektrolitu z akumulatora: W ekstremalnych temperaturach lub przy ekstremalnych obciążeniach może pojawić się niewielka ilość cieczy. Jeżeli przypadkowo dotkniesz tej cieczy, natychmiast umyj skórę lub ubranie wodą z mydłem.
3. Akumulator nie ładuje się, a lampka na ładowarce nie świeci: Jeżeli akumulator nie ładuje się, sprawdź, czy jest prawidłowo osadzony w ładowarce i czy wskaźnik się świeci. Jeżeli się nie świeci, sprawdź, czy wtyczka ładowarki jest prawidłowo podłączona do gniazdka. Jeżeli tak, sprawdź bezpiecznik/wyłącznik automatyczny w gniazdku.
4. Korpus urządzenia nagrzewa się po dłuższym użytkowaniu: Przy normalnym obciążeniu korpus, spust i akumulator nagrzewają się, ponieważ energia zużywana podczas cięcia wytwarza ciepło. Jest to normalne zjawisko. Wystarczy pozwolić urządzeniu odpocząć przez kilka minut.
5. Akumulator nagrzewa się podczas użytkowania: Energia dostarczana przez akumulator wytwarza ciepło. Akumulator nie zostanie uszkodzony w ten sposób - wydzielanie się ciepła podczas dostarczania energii jest normalnym zjawiskiem. Jeżeli chcesz schłodzić akumulator, pozwól urządzeniu ostygnąć przez kilka minut przed kontynuowaniem pracy.
6. Akumulator nagrzewa się podczas ładowania: Jest to normalne zjawisko, które jest wynikiem reakcji chemicznych zachodzących w akumulatorze podczas procesu ładowania.
7. Ładowarka nagrzewa się podczas ładowania: Jest to normalne zachowanie, spowodowane redukcją napięcia z 230 V do 20 V.

14. UTYLIZACJA



Narzędzie, akumulator, akcesoria i opakowania należy poddać sortowaniu, aby zapewnić ich ekologiczną utylizację.

Nie wyrzucaj narzędzi elektrycznych i baterii lub akumulatorów do odpadów komunalnych!

Wyłącznie dla krajów Unii Europejskiej:



Zgodnie z europejską dyrektywą 2012/19/UE narzędzia elektryczne, które nie są już używane, a zgodnie z europejską dyrektywą 2006/66/WE, uszkodzone lub zużyte zestawy baterii/akumulatorów należy zbierać oddzielnie i utylizować w sposób nieszkodliwy dla środowiska.

WSKAZÓWKI I INFORMACJE DOTYCZĄCE UTYLIZACJI ZUŻYTYCH OPAKOWAŃ

Wszelkie zużyte opakowania należy przekazać do miejsca określonego przez lokalny urząd zajmujący się likwidacją odpadów.

UTYLIZACJA ZUŻYTYCH URZĄDZEŃ ELEKTRYCZNYCH I ELEKTRONICZNYCH



Ten symbol umieszczony na produktach lub w załączonej dokumentacji oznacza, że zużyte urządzenia elektryczne i elektroniczne nie mogą być wyrzucane do odpadów komunalnych. Przekaż te produkty do właściwego punktu zbiórki odpadów, gdzie zostanie przeprowadzona ich prawidłowa utylizacja, renowacja lub recykling. W niektórych krajach Unii Europejskiej lub w niektórych państwach europejskich przy zakupie nowego podobnego produktu można dokonać zwrotu zużytego produktu lokalnemu sprzedawcy. Przez prawidłową utylizację tego produktu przyczyniasz się do ochrony cennych zasobów naturalnych i zapobiegasz ewentualnemu negatywnemu wpływowi odpadów na środowisko naturalne i zdrowie ludzkie, do którego mogłoby dojść w wyniku nieprawidłowej utylizacji odpadu. Szczegółowych informacji udzielą lokalne urzędy lub najbliższy punkt zbiórki odpadów. Nieprawidłowa utylizacja tego rodzaju odpadów może podlegać karom pieniężnym zgodnie z obowiązującymi przepisami krajowymi.

Dla firm, które działają w krajach Unii Europejskiej

Jeśli chcesz zutylizować urządzenia elektryczne lub elektroniczne, zasięgnij informacji u swego sprzedawcy lub dostawcy. Utylizacja produktu w krajach poza Unią Europejską. Jeżeli chcesz zutylizować ten produkt, zasięgnij niezbędnych informacji w lokalnych urzędach lub u sprzedawcy.



Produkt spełnia wszystkie podstawowe wymagania wszystkich właściwych dyrektyw UE.

Tekst, design i specyfikacje techniczne mogą ulec zmianie bez uprzedzenia. Zastrzegamy sobie prawo do dokonania tych zmian.

Instrukcja obsługi w języku oryginalnym.