

CANDY

**CCT 685/2 X, CCT 685/2 W,
CCT 685/2 N, CCT985/2 X,
CCT 985/2 W, CCT 985/2 N**

User manual

Manuel de l'utilisateur

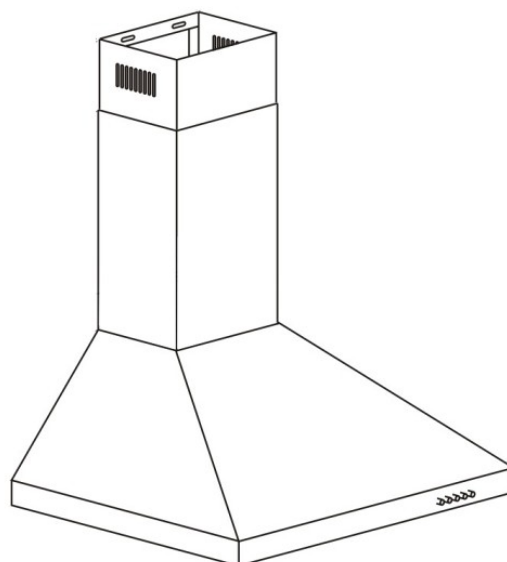
Manuale d'uso

Instrukcja obsługi

Návod k obsluze

Používateľská príručka

Korisnički priručnik



ENGLISH (EN).....	page 001
FRANÇAIS (FR).....	page 015
ITALIANO (IT).....	pagina 029
POLSKI (PL).....	strona 043
ČESKY (CZ).....	strana 057
SLOVENSKY(SK).....	strana 071
HRVATSKI (HR).....	stranica 085

CCT 685/2 X, CCT 685/2 W, CCT 685/2 N, CCT985/2 X, CCT 985/2 W, CCT 985/2 N

User manual

CONTENT

1.....	Introduction
2.....	Safety precaution
3.....	Installation
4.....	Notice of installation
5.....	Safety Warning
6.....	Operation
7.....	Maintenance
8.....	Environmental protection

1.Introduction

Carefully read the following important information regarding installation, safety and maintenance. Keep this information booklet accessible for further consultations.

The appliance has been designed as a exhausting version (external exhaust) or as a filter version (internal air recycle) cooker hood.

2. SAFETY PRECAUTION

Important! Always switch off the electricity supply at the mains during installation and maintenance such as light bulb replacement.

- The cooker hood must be installed in accordance with the installation instructions and all measurements followed.
- All installation work must be carried out by a competent person or qualified electrician.
- Please dispose of the packing material carefully. Children are vulnerable to it.
- Pay attention to the sharp edges inside the cooker hood especially during installation and cleaning.
- When the range hood is located above a gas appliance, the minimum distance between the supporting surface for the cooking vessels on the hob and the lowest part of the range hood that distance must be:

Gas cookers: 75 cm

Electric cookers: 65 cm

Coal or oil cookers: 75 cm

- Make sure the ducting has no bends sharper than 90 degrees as this will reduce the efficiency of the cooker hood.
- Cooker hood is for domestic use only.
- Always put lids on pots and pans when cooking on a gas cooker.
- Do not try to use the cooker hood without the grease filters or if the filters are excessively greasy!
- When in extraction mode, air in the room is being removed by the cooker hood. Please make sure that proper ventilation measures are being observed. The cooker hood removes odours from room but not steam.
- There shall be adequate ventilation of the room when the range hood is used at the same time as appliances burning gas or other fuels
- Do not install above a cooker with a high level grill.
- Do not leave frying pans unattended during use because overheated fats or oils might catch fire.
- Never leave naked flames under the cooker hood.

- If the cooker hood is damaged, do not attempt to use.
- If the supply cord is damaged, it must be replaced by the manufacturer, its service agent or similarly qualified persons in order to avoid a hazard.
- This appliance can be used by children aged from 8 years and above and persons with reduced physical, sensory or mental capabilities or lack of experience and knowledge if they have been given supervision or instruction concerning use of the appliance in a safe way and understand the hazards involved. Children shall not play with the appliance. Cleaning and user maintenance shall not be made by children without supervision.
- Caution: The appliance and its accessible parts can become hot during operation. Be careful to avoid touching the heating elements. Children younger than 8 years old should stay away unless they are under permanent supervision.
 - There shall be adequate ventilation of the room when the range hood is used at the same time as appliances burning gas or other fuels

- There is a fire risk if cleaning is not carried out in accordance with the instructions
- Do not flambé under the cooker hood.
- CAUTION: Accessible parts may become hot when used with cooking appliances.
- The air must not be discharged into a flue that is used for exhausting fumes from appliances burning gas or other fuels.
- The minimum distance between the supporting surface for the cooking vessels on the hob and the lowest part of the range hood. (When the range hood is located above a gas appliance, this distance shall be at least 65 cm
- Regulations concerning the discharge of air have to be fulfilled.
- Clean your appliance periodically by following the method given in the chapter MAINTENANCE.
- For safety reason, please use only the same size of fixing or mounting screw which are recommended in this instruction manual.
- Warning: Failure to install the screws or fixing device in accordance with these instructions may result in electrical hazards
- Regarding the instructions method of fixing

for the fixed appliance and how the appliance is to be fixed to its support, thanks to refer to the section **“INSTALLATION AND FIXING”**.

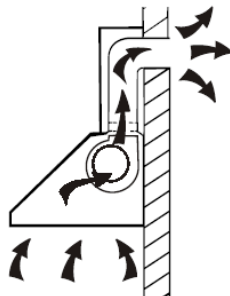
- Regarding the instructions for the bulb changing, thanks to refer to the section **“bulb changing”**.

ILCOS D code for lamp is: DBS-2.5/65-H-120/33

3. INSTALLATION

INSTALLATION (VENT OUTSIDE)

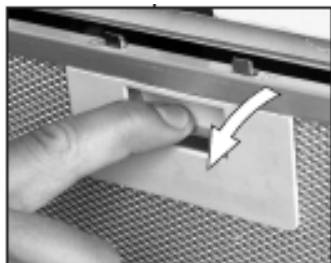
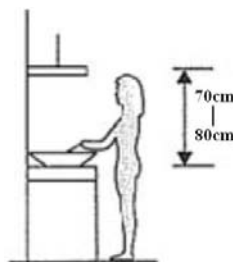
If you have an outlet to the outside, your cooker hood can be connected as below picture by means of an extraction duct (enamel, aluminum, flexible pipe or inflammable material with an interior diameter of 150mm)



Before installation, turn the unit off and unplug it from the outlet.



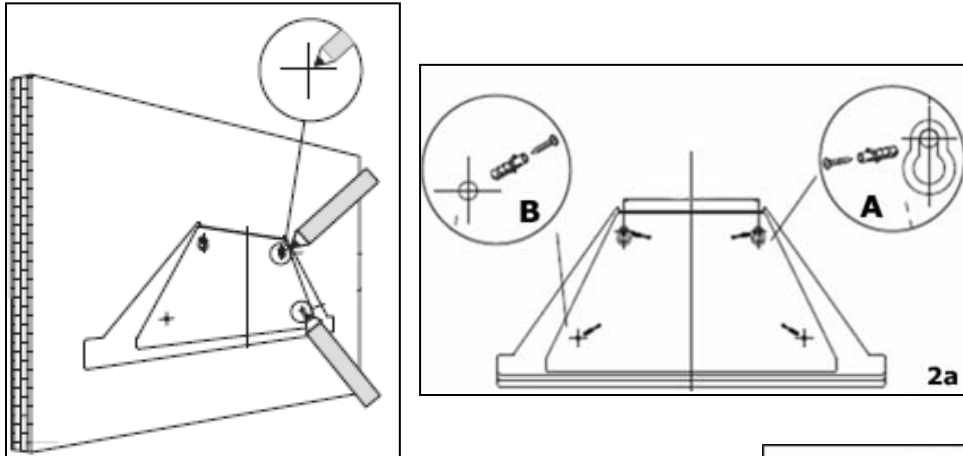
The cooker hood should be placed at a distance of 70~80cm above the cooking plane for best effect.



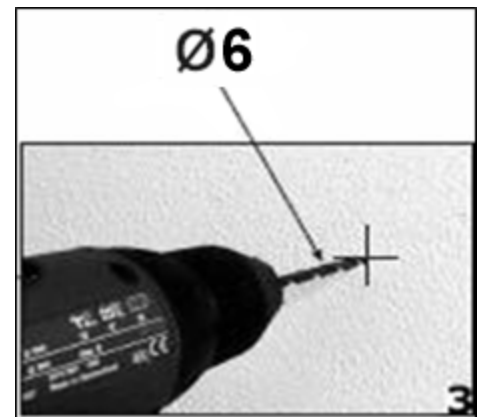
1. Remove the metal grease filters.

2. Position the hood against the wall that you are intending to install it on and mark the position of the support holes that are to be drilled (as shown in the figure below).

2a. The support screw holes are indicated by figure **A** in this drawing and the anchoring screw holes are indicated by figure **B**.

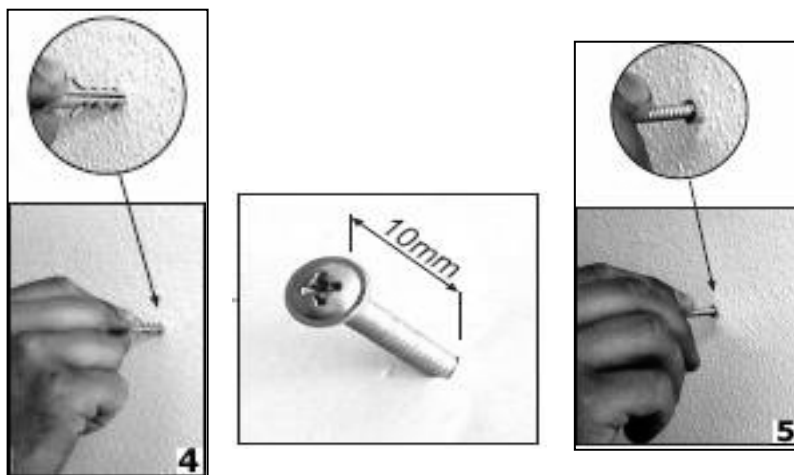


3. Using a drill bit with a 6 mm diameter, make holes in the wall on the positions that you have marked in step 2.

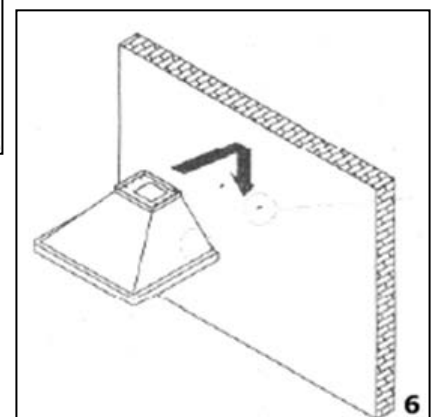


4. Insert rawl plugs into all of the holes that you have drilled.

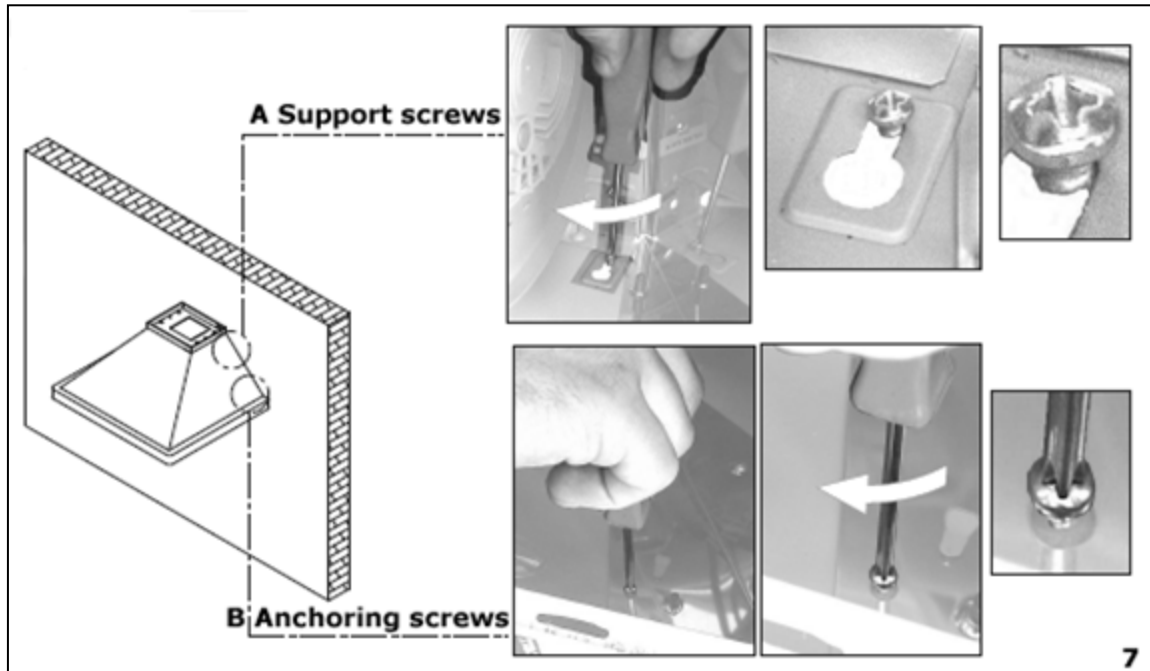
5. Fasten the support screws halfway in, leaving them 10 mm out of the wall.



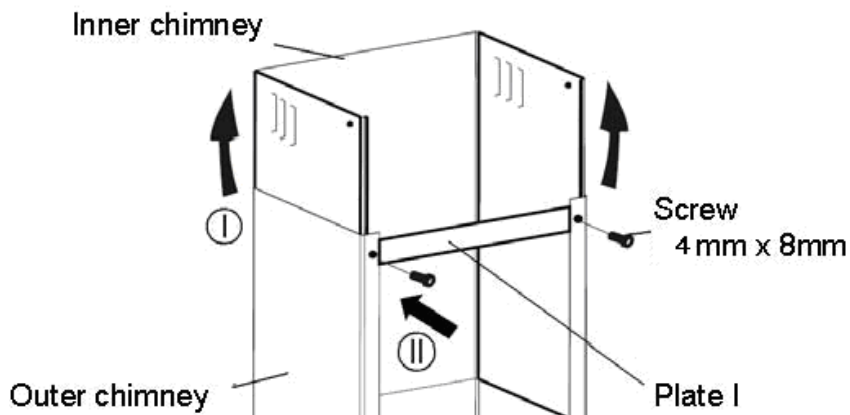
6. Hang the hood onto the support screws.



7. Fully tighten the support screws **(A)** and then screw the anchoring screws **(B)** through the relevant holes in the cooker hood. Fully tighten the anchoring screws into the wall.



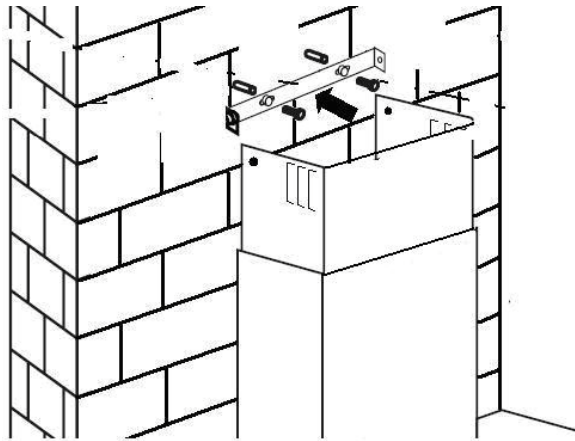
8 Plate I and II are used to fix the chimney on the wall. Put the inner chimney on the outer chimney. Then pull the inner chimney upwards. Install plate I on the chimney by two screws (4 mm x 8mm).



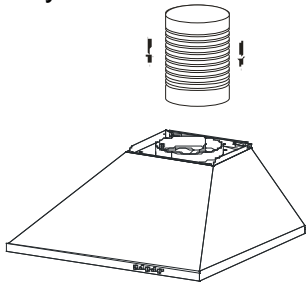
Place the chimney on the cooker hood and determine the location of plate I and II.

Drill holes to accommodate plate I & II.

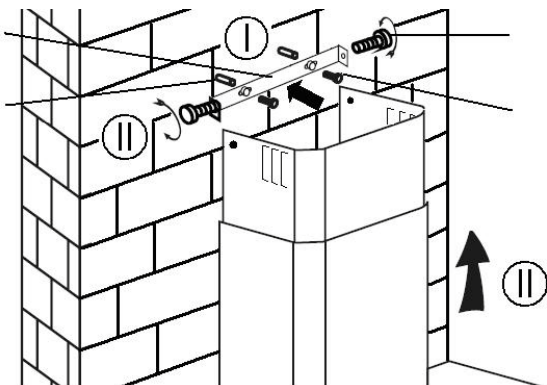
Fix plate II on the wall by two screws (4mm x 40mm) and wall plugs.



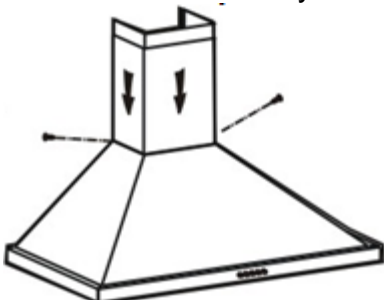
9. Take out the chimney from the cooker hood. Attach the exhaust pipe onto the one-way-valve as shown below.



10. Put the chimney back to the cooker hood. Before lifting the chimney on the desired height, fix plate I on the wall by two screws (4mm x 40mm) and wall plugs. Lift up the chimney to the desired height and fix the chimney on the plate II by 2 screws (4mm x 8mm)



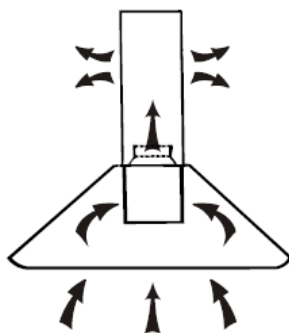
Fix the lower chimney on the cooker hood by 2 screws (4x8mm)



11. Before usage, read all the instructions and make sure that the power rating of the cooker hood matches the power rating of the supply.

INSTALLATION (OPTIONAL FOR VENT INSIDE)

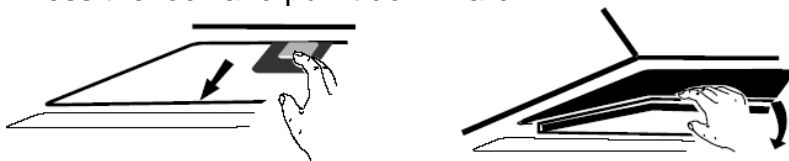
If you do not have an outlet to the outside, the exhaust pipe is not required and the installation is similar to the one shown in the “INSTALLATION (VENT OUTSIDE)” section



Carbon Filter

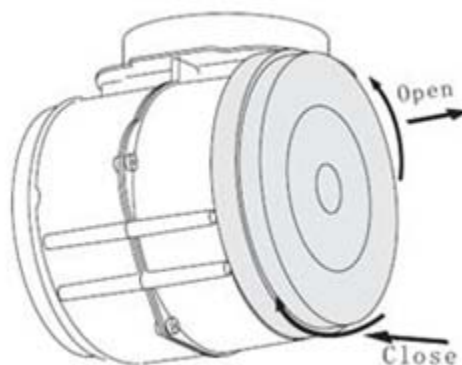
Activated carbon filter can be used to trap odors.

In order to install the activated carbon filter, the metallic anti-grease filter should be detached first. Press the lock and pull it downward.



Put the activated carbon filter into the unit, fix it by turning it.

Repeat the same on the other side.



NOTE:

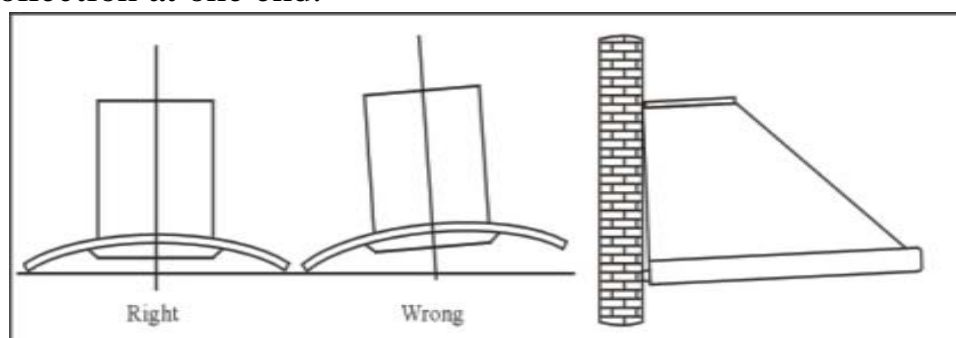
- Make sure the filter is securely locked. Otherwise, it could loosen and cause damage to unit.
- When activated carbon filter attached, the suction power will be lowered.

4. NOTICE OF INSTALLATION

- For safety reason, please use only the same size of fixing or mounting screw which are recommended in this instruction manual.
- Warning: Failure to install the screws or fixing device in accordance with these instructions may result in electrical hazards

1. Before installation, please ensure the area is clean to avoid suction of the remaining bits of broken wood and dust.
2. It cannot share the same air ventilation tube with other appliance such as gas tube, warmer tube, and hot wind tube.
3. The bending of ventilation tube should be $\leq 120^\circ$, parallel or above the start point and should be connected to the external wall.
4. After installation, make sure that the extractor is level to avoid grease collection at one end.

5.



Pic5

5.SAFETY WARNING

- ✧ Keep your children from using the cooker hood.
- ✧ Your cooker hood is for domestic use only, not suitable for barbecue, roast shop and other commercial use.
- ✧ Any installation work must be carried out by a qualified electrician or competent person.
- ✧ The cooker hood and its filter mesh should be cleaned regularly in order to keep in good working order.
- ✧ Before cleaning, always ensure that you have switched your cooker hood off.
- ✧ Clean the cooker hood according to the instruction manual and keep the cooker hood from the danger of burning.
- ✧ No fire for drying your cooker hood.

- ✧ If there is any fault with your cooker hood, please call the service department appointed by agent for servicing.
- ✧ Please keep the room draughty when your cooker hood and gas hob are working.
- ✧ Do not exhaust the gas from cooker hood through the same heated flue which is for the gas from gas hob and other kitchen appliances.
- ✧ Before installation and usage, read all the instructions and make sure that the voltage (V) and the frequency (Hz) indicated on your cooker hood are exactly the same as the voltage (V) and the frequency (Hz) in your home.
- ✧ In order to get the most out of your cooker hood, please read the instruction manual before installing & using, and keep it in a safe place.
- ✧ Ensure that you could get our guarantee for your cooker hood, please provide the warranty card and purchase receipt, or the guarantee will not be offered.

6.OPERATION

Push button

Switch off button for motor 0

Press this button to stop the motor operation.

Low Speed button ↻

Press this button to operate at low speed.

Medium Speed button ↻

Press this button to operate at medium speed.

High Speed button ↻

Press this button to operate at high speed.

Light button ✨

Press once, two lighting lamps will illuminate. Press again will turn all light off.

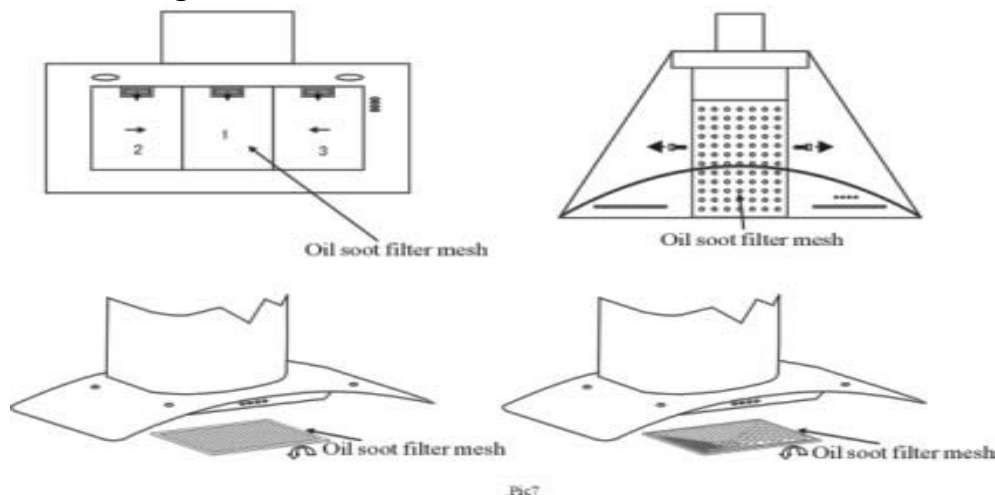
ILCOS D code for lamp is: DBS-2.5/65-H-120/33

7. MAINTENANCE

7.1 The cleaning of the carbon grease filter mesh

Your cooker hood includes a grease filter which helps to absorb grease particles to protect your kitchen and furniture from greasy residues.

- This aluminium filter may become flammable if it becomes saturated with this greasy residue.
- To prevent this fire hazard, the filter should be cleaned regularly.
- Depending on use, this should be done every 10-15 days or at least once a month, using hot water and normal washing-up detergent.
- DO NOT WASH THE GREASE FILTER IN A DISHWASHER.
- Soak the grease filter in hot water and washing up liquid for at least 5 minutes (or longer if the grease build up is severe)
- Rinse it off thoroughly with hot water. Repeat the process if required.
- Refit the grease filter once it has COMPLETELY dried.



7.2 Notice of cleaning cooker hood

- A.** To protect the main body from corrosion over a long period of time, the cooker hood should be cleaned with hot water plus non corrosive detergent every two months.
- B.** Please do not use abrasive detergent for it will damage the body.
- C.** Keep the motor and other spare parts free from water, as this will cause damage to the appliance.
- D.** Before cleaning the appliance please remember to cut off power
- E.** The carbon filter shouldn't be exposed to heat.
- F.** Please don't tear open the fixed bar around the carbon filter
- G.** If the plug or cord is damaged, please replace it with special soft cord.

8.ENVIRONMENTAL PROTECTION:



This product is marked with the symbol on the selective sorting of waste electronic equipment. This means that this product must not be disposed of with household waste but must be supported by a system of selective collection in accordance with Directive 2002/96/EC. It will then be recycled or dismantled to minimize impacts on the environment, electrical and electronic products are potentially dangerous for the environment and human health due to the presence of hazardous substances.

For more information, please contact your local or regional authorities.

Note:

- a. In order to reduce the environmental impact (e.g. energy use) of the cooking process, please be sure that your product is installed according to the user manual, keep the operation place ventilated, keep the extraction duct be direct and short as possible as it can be.
- b. For the product with manual operation mode, we suggest switch the motor off within 10 minutes after finishing the cooking process.
- c. Please be sure to dismantle related components according to the user manual when maintaining for non-destructive, protect the parts to make the re-installed work can be favoring and avoid damage.

CCT 685/2 X, CCT 685/2 W, CCT 685/2 N, CCT985/2 X, CCT 985/2 W, CCT 985/2 N

Manuel de l'utilisateur

SOMMAIRE

1. Introduction.....	16
2. Avertissements de sécurité.....	16
3. Installation	20
4. Remarques pour l'installation.....	25
5. Consignes de sécurité.....	25
6. Fonctionnement	26
7. Entretien.....	27
8. Protection environnementale	28

1. INTRODUCTION

Lisez avec attention les importantes informations suivantes concernant l'installation, la sécurité et l'entretien. Gardez ce manuel dans un endroit accessible pour de futures consultations.

L'appareil a été conçu dans une version évacuation (évacuation externe) ou dans une version à filtre (recyclage interne de l'air).

2. AVERTISSEMENTS DE SECURITE

Important Toujours penser à couper l'électricité pendant l'installation et l'entretien, comme pour remplacer une ampoule.

- La hotte doit être installée conformément aux instructions d'installation et toutes les mesures doivent être respectées.
- Tout travail d'installation doit être effectué par une personne compétente ou un électricien qualifié.
- Débarrassez-vous avec soin de l'emballage. Il peut représenter un danger pour les enfants.
- Faites attention aux bords aiguisés se trouvant sur la hotte, notamment pendant l'installation et le nettoyage.
- Quand la hotte est installée au-dessus d'un appareil à gaz, la distance minimale entre la surface de support pour les récipients de cuisson sur la plaque et la partie la plus basse de la hotte doit être :
 - Gazinière : 75 cm
 - Cuisinière électrique : 65 cm
 - Cuisinière à charbon
ou cuiseur à huile : 75 cm

- Assurez-vous que le tuyau n'ait pas de courbure de plus de 90 degrés car ceci réduirait l'efficacité de la hotte.
- La hotte est prévue pour un usage domestique uniquement.
- Utilisez toujours des couvercles sur les casseroles et poêles quand vous cuisinez avec une gazinière.
- N'essayez pas d'utiliser la hotte sans filtres à graisse ou si les filtres ont trop de graisse.
- En modalité d'extraction, l'air de la pièce est utilisé par la hotte. Assurez-vous que la pièce soit bien aérée. Cette hotte élimine les odeurs de la pièce mais pas la vapeur.
- Il doit y avoir une ventilation adéquate de la pièce lorsque la hotte est utilisée en même temps que des appareils à gaz ou employant d'autres combustibles.
- N'installez pas la hotte au-dessus d'une cuisinière comportant un gril élevé.
- Ne laissez pas de friture sans surveillance pendant l'utilisation de la hotte, car il existe un risque d'incendie avec la graisse chaude ou l'huile.
- Ne laissez jamais de flammes nues sous la hotte.
- Si la hotte est endommagée, ne l'utilisez pas.
- Si le câble d'alimentation est endommagé, il doit être remplacé par le fabricant, son agent d'entretien ou des personnes dotées du même type de qualification, afin d'éviter tout risque.

- Cet appareil peut être utilisé par des enfants âgés de 8 ans et plus et des personnes dont les capacités physiques, sensorielles ou mentales sont réduites, ou des personnes dénuées d'expérience et de connaissances, s'ils ont été informés de la manière d'utiliser l'appareil en toute sécurité et comprennent les risques impliqués. Les enfants ne doivent pas jouer avec l'appareil. L'entretien et le nettoyage ne doivent pas être effectués par des enfants sans surveillance.
- Attention : L'appareil et ses parties accessibles chauffent pendant l'utilisation. Faites attention de ne pas toucher les éléments chauds. Les enfants de moins de 8 ans doivent se tenir éloignés, à moins qu'ils ne soient sous surveillance permanente.
- Il doit y avoir une ventilation adéquate de la pièce lorsque la hotte est utilisée en même temps que des appareils à gaz ou employant d'autres combustibles.
 - Il existe un risque d'incendie si le nettoyage n'est pas réalisé conformément aux instructions.
 - Ne pas faire flamber les aliments sous la hotte.
 - ATTENTION : Les pièces accessibles peuvent être chaudes lorsqu'elles sont utilisées avec des appareils de cuisson.
 - L'air ne doit pas être évacué par un conduit utilisé pour l'évacuation des fumées d'autres appareils à gaz ou alimentés par d'autres carburants.

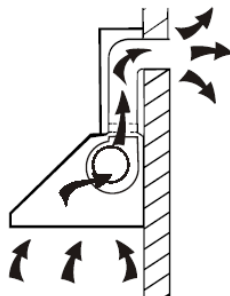
- Attention à la distance minimale entre la surface de support pour les récipients de cuisson sur la plaque et la partie la plus basse de la hotte. (Quand la hotte est placée au-dessus d'une gazinière, la distance doit être d'au moins 65 cm).
- Les réglementations en matière d'évacuation de l'air doivent être respectées.
- Nettoyez votre appareil régulièrement en suivant la méthode indiquée au chapitre **ENTRETIEN**.
- Pour des raisons de sécurité, utilisez uniquement des vis de fixation ou de montage de la taille recommandée dans ce manuel d'instructions.
- Attention : Le fait de ne pas installer les vis ou le dispositif de fixation conformément à ces instructions peut entraîner des risques électriques.
- Concernant la méthode d'instructions ou de fixation pour les appareils à fixer, et pour savoir comment les fixer sur leur support, veuillez vous référer à la section « **INSTALLATION ET FIXATION** ».
- Concernant les instructions pour changer l'ampoule, veuillez vous référer à la section « **changer l'ampoule** ».

Le code ILCOS D de l'ampoule est :
DBS-2.5/65-H-120/33

3. INSTALLATION

INSTALLATION (ÉVACUATION EXTERNE)

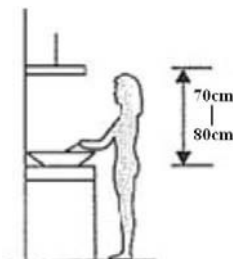
Si vous avez une sortie à l'extérieur, votre hotte peut être connectée comme dans l'image ci-dessous par un conduit d'extraction (émail, aluminium, gaine souple ou matériau inflammable avec un diamètre intérieur de 150 mm)



Avant l'installation, éteignez l'appareil et débranchez-le de la prise de courant.



Pour une meilleure prestation, la hotte doit être placée à une distance de 70 à 80 cm au-dessus de la plaque de cuisson.

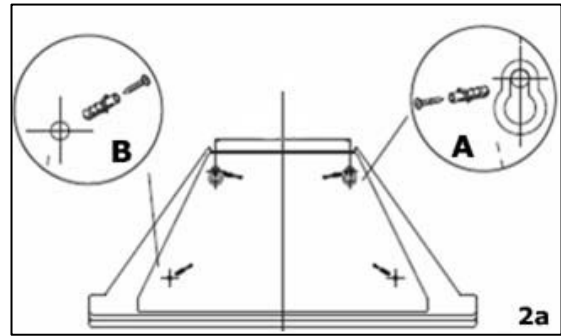
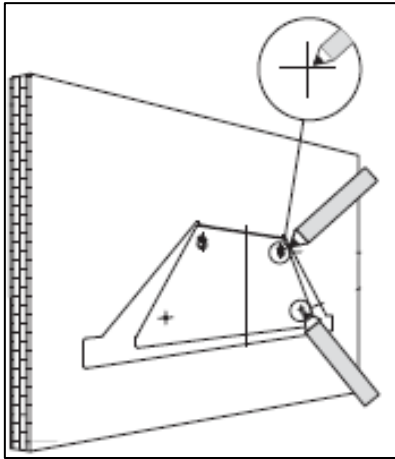


1. Retirez les filtres à graisse métalliques.

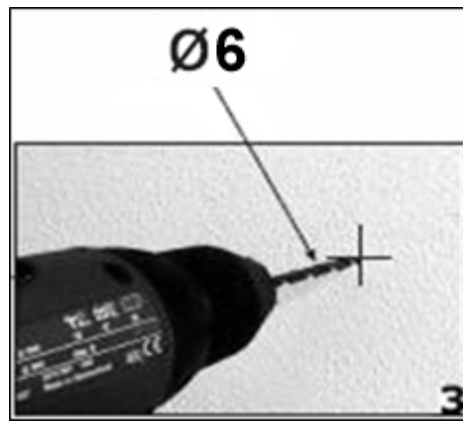


2. Placez la hotte contre le mur sur lequel vous envisagez de l'installer et marquez la position des trous de support à percer (voir l'image ci-dessous).

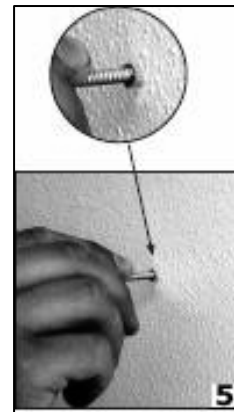
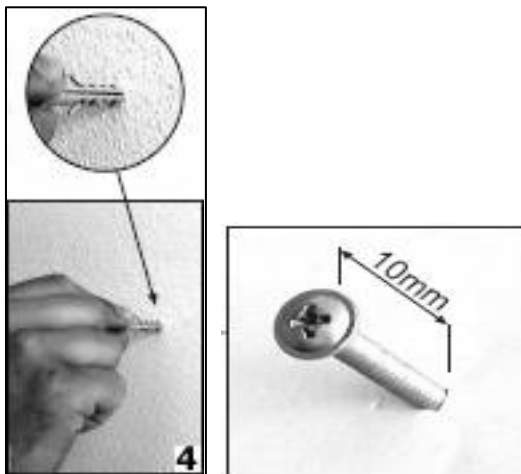
2a. Les trous de vis de support sont indiqués par l'image **A** dans ce dessin et les trous de vis d'ancrage sont indiqués par l'image **B**.



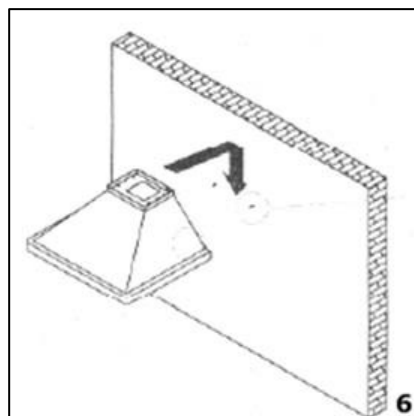
3. En utilisant un foret de 6 mm de diamètre, faites des trous dans le mur sur les positions que vous avez marquées à l'étape 2.



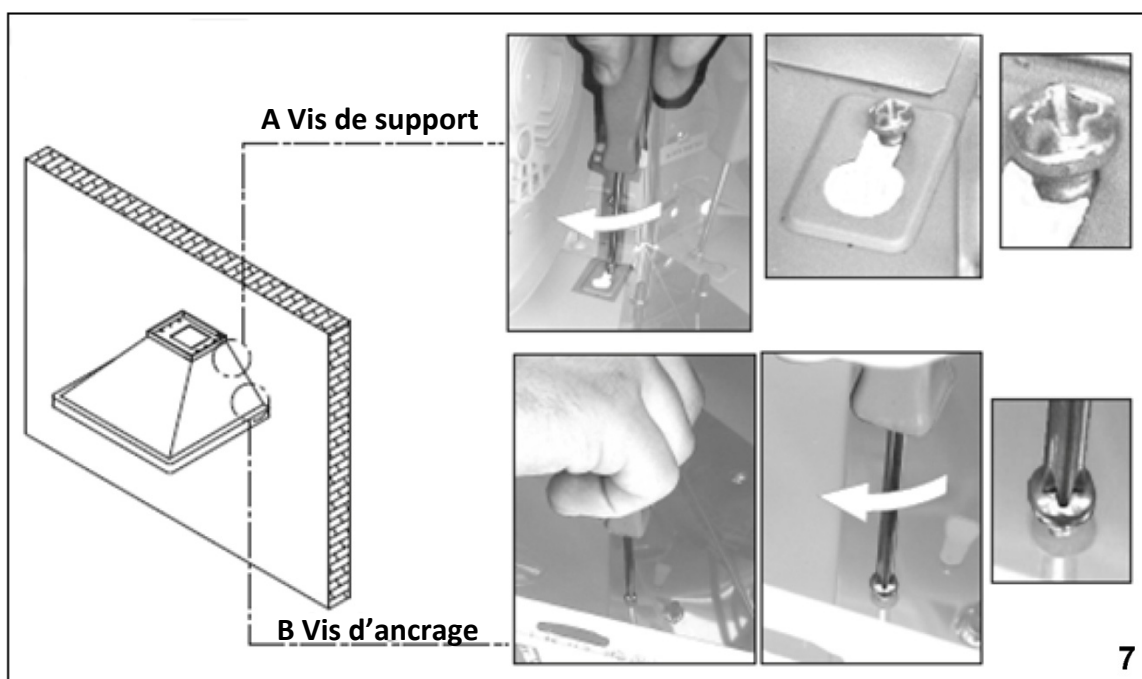
4. Insérez des chevilles dans tous les trous que vous avez percés.
5. Fixez les vis de support à moitié, en les laissant 10 mm hors du mur.



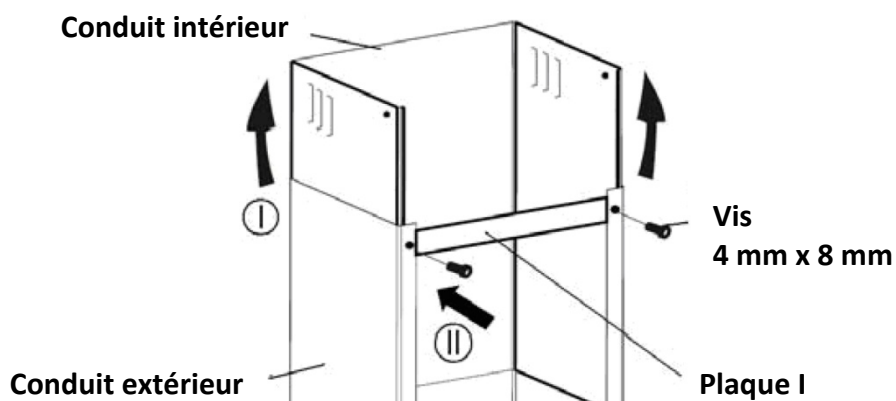
6. Accrochez la hotte sur les vis de support.



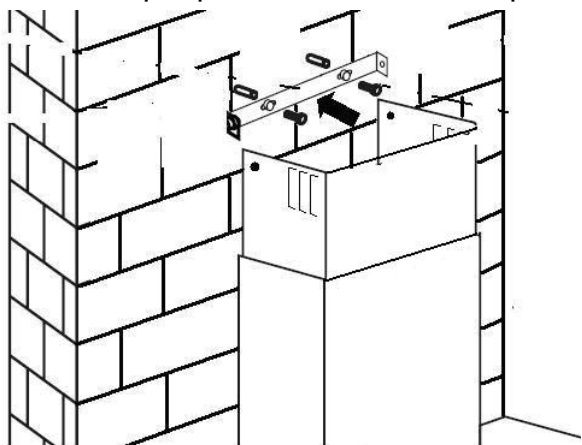
7. Serrer complètement les vis de support (A), puis visser les vis d'ancrage (B) à travers les trous correspondants dans la hotte. Serrer complètement les vis d'ancrage dans le mur.



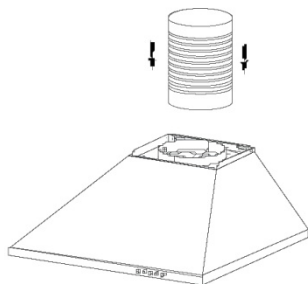
8. Les plaques I et II servent à fixer la cheminée sur le mur. Placez la cheminée intérieure sur la cheminée extérieure. Ensuite, tirez la cheminée intérieure vers le haut. Installez la plaque I sur la cheminée par deux vis (4 mm x 8 mm).



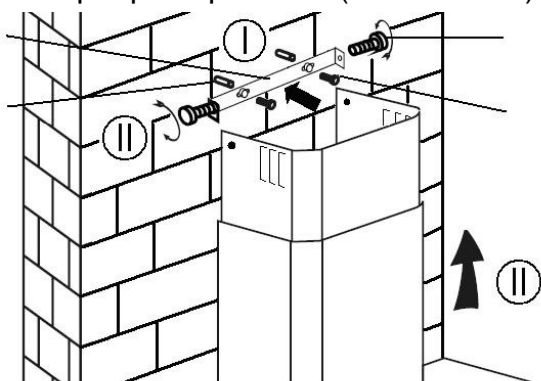
Placez la cheminée sur la hotte et déterminez l'emplacement de la plaque I et II.
Percez les trous pour placer les plaques I et II.
Installez la plaque II sur la cheminée par deux vis (4mm x 40mm) et des chevilles.



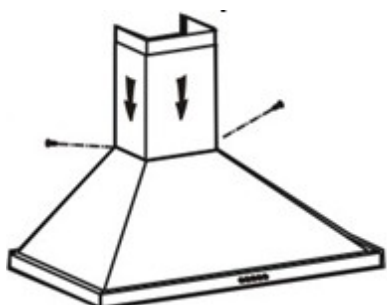
9. Sortez la cheminée de la hotte. Fixez le tuyau d'évacuation sur la vanne unidirectionnelle comme indiqué ci-dessous.



10. Remettez la cheminée dans la hotte. Avant de soulever la cheminée à la hauteur souhaitée, fixez la plaque I sur le mur par deux vis (4mm x 40mm) et des chevilles. Soulevez la cheminée jusqu'à la hauteur souhaitée et fixez la cheminée sur la plaque II par 2 vis (4mm x 8mm).



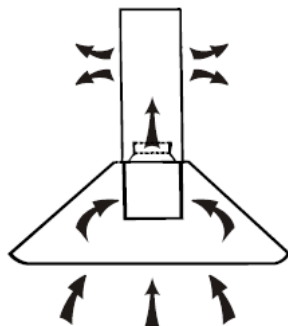
Fixer la cheminée inférieure sur la hotte par 2 vis (4x8mm).



11. Avant l'utilisation, lisez toutes les instructions et assurez-vous que la puissance nominale de la hotte corresponde à la puissance nominale de l'alimentation.

INSTALLATION (OPTION RECYCLAGE)

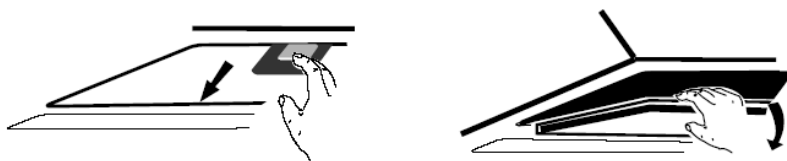
Si vous n'avez pas de sortie vers l'extérieur, le tuyau d'évacuation n'est pas nécessaire et l'installation est identique à celle expliquée dans la section « Installation en évacuation externe ».



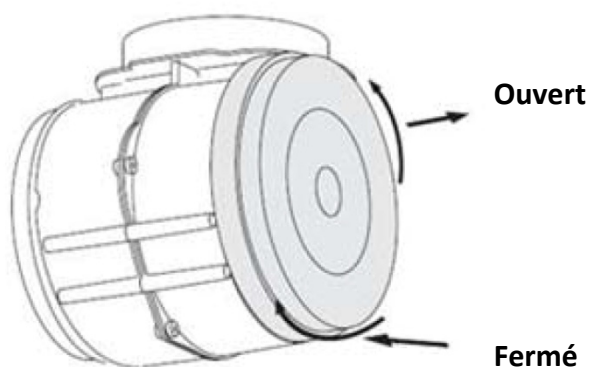
Filtre à charbon

Les filtres à charbon actif sont utilisés pour absorber les odeurs.

Pour installer le filtre à charbon actif, retirez dans un premier temps le filtre à graisse métallique. Appuyez sur le système d'ouverture de la grille et tirez-la vers le bas.



Positionnez le filtre à charbon actif dans le bloc et tournez-le. Faites pareil de l'autre côté.

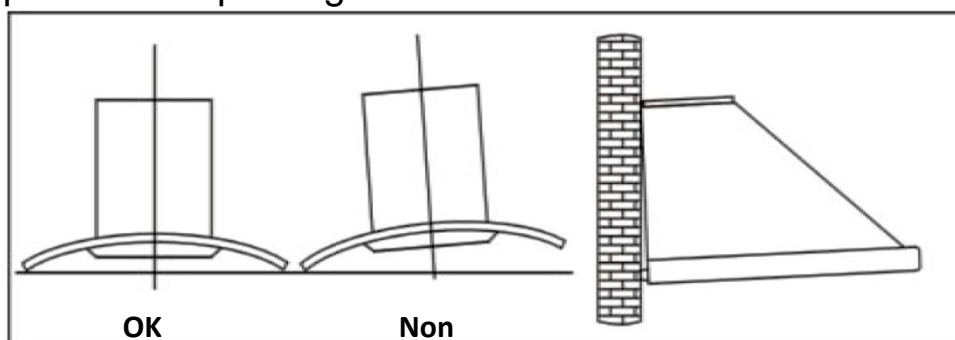


REMARQUE :

- Assurez-vous que le filtre soit correctement enclenché. Autrement, il pourrait tomber et causer des dommages au bloc.
- Quand le filtre à charbon actif est enclenché, la force d'aspiration baisse.

4. REMARQUES POUR L'INSTALLATION

- Pour des raisons de sécurité, utilisez uniquement des vis de fixation ou de montage de la taille recommandée dans ce manuel d'instructions.
- Attention : Le fait de ne pas installer les vis ou le dispositif de fixation conformément à ces instructions peut entraîner des risques électriques.
 1. Avant l'installation, assurez-vous que la zone soit propre pour éviter l'aspiration de copeaux de bois et de poussière.
 2. La hotte ne peut pas partager le même tube de ventilation avec un autre appareil tel qu'un tuyau à gaz, tuyau pour réchaud ou un tuyau à air chaud.
 3. La flexion du tuyau de ventilation doit être de 120°, parallèle ou au-dessus du point de départ et doit être reliée à la paroi extérieure.
 4. Après l'installation, assurez-vous que l'extracteur soit à niveau pour éviter que la graisse ne s'accumule à une extrémité.



5. CONSIGNES DE SÉCURITÉ

- ✧ Tenir la hotte hors de portée des enfants.
- ✧ Votre hotte est destinée à un usage domestique et ne convient pas pour les barbecues, rôtisseries ou autres usages commerciaux.
- ✧ Tout travail d'installation doit être effectué par un électricien qualifié ou une personne compétente.
- ✧ La hotte aspirante et son filtre doivent être nettoyés régulièrement afin de maintenir un bon état de fonctionnement

- ✧ Avant de nettoyer, assurez-vous toujours que vous avez éteint votre hotte.
- ✧ Nettoyez la hotte selon le mode d'emploi et évitez les risques d'incendie.
- ✧ N'utilisez pas de source de feu pour sécher votre hotte.
- ✧ En cas de défaillance de votre hotte, appelez le service après-vente.
- ✧ Aérez la pièce lorsque votre hotte et votre plaque à gaz fonctionnent.
- ✧ N'évacuez pas le gaz de la hotte par le même tuyau que celui de la plaque de cuisson à gaz ou d'autres appareils de cuisine.
- ✧ Avant l'installation et l'utilisation, lisez toutes les instructions et assurez-vous que la tension (V) et la fréquence (Hz) indiquées sur votre hotte soient exactement les mêmes que la tension (V) et la fréquence (Hz) dans votre maison.
- ✧ Pour tirer le meilleur parti de votre hotte, lisez le mode d'emploi avant l'installation et l'utilisation, et conservez-la dans un endroit sûr.
- ✧ Assurez-vous que vous pouvez obtenir notre garantie pour votre hotte : veuillez fournir la carte de garantie et le ticket de caisse, sous peine de perdre la garantie.

6. FONCTIONNEMENT

Appuyez sur le bouton

Bouton pour éteindre le moteur 

Appuyez sur ce bouton pour stopper le fonctionnement du moteur.

Bouton vitesse minimale 

Appuyez sur ce bouton pour lancer le fonctionnement à basse vitesse.

Bouton vitesse intermédiaire 

Appuyez sur ce bouton pour lancer le fonctionnement à vitesse moyenne.

Bouton vitesse maximale 

Appuyez sur ce bouton pour lancer le fonctionnement à grande vitesse.

Bouton d'éclairage 

Appuyez une fois, deux éclairages s'allumeront. Appuyez encore une fois pour éteindre toutes les lumières.

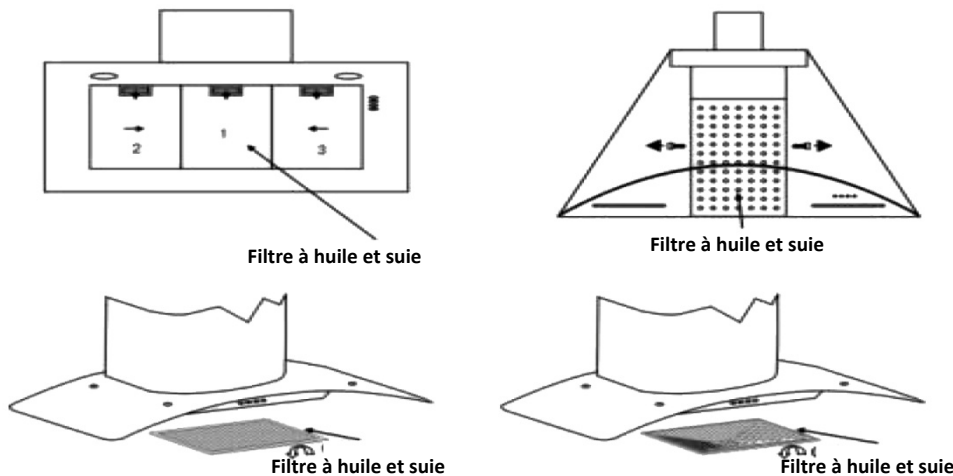
**Le code ILCOS D de l'ampoule est :
DBS-2.5/65-H-120/33**

7. ENTRETIEN

7.1 Nettoyage du filtre à graisse métallique

Votre hotte comprend un filtre à graisse qui permet d'absorber les particules de graisse pour protéger votre cuisine et vos meubles contre les résidus gras.

- Ce filtre en aluminium peut devenir inflammable s'il est saturé de résidu gras.
- Pour éviter le risque d'incendie, le filtre doit être nettoyé régulièrement.
- Selon l'utilisation, cela devrait être effectué tous les 10-15 jours ou au moins une fois par mois, en utilisant de l'eau chaude et un liquide vaisselle normal.
- **NE LAVEZ PAS LE FILTRE À GRAISSE AU LAVE-VAISSELLE**
- Faites tremper le filtre à graisse dans de l'eau chaude et du liquide vaisselle pendant au moins 5 minutes (ou plus si l'accumulation de graisse est importante).
- Rincez abondamment à l'eau chaude. Répétez le processus si nécessaire.
- Remettez le filtre à graisse quand il sera **COMPLÈTEMENT** sec.



7.2 Nettoyage de la hotte

- A.** Pour protéger la structure principale de la corrosion sur une longue période de temps, la hotte doit être nettoyée avec de l'eau chaude et un détergent non corrosif tous les deux mois.
- B.** N'utilisez pas de détergent abrasif car cela endommagerait la structure.
- C.** Ne mouillez pas le moteur et les autres pièces détachées, car cela pourrait endommager l'appareil.
- D.** Avant de nettoyer l'appareil, n'oubliez pas de l'éteindre.
- E.** Le filtre à charbon ne doit pas être exposé au feu.
- F.** N'arrachez pas la barre fixée autour du filtre à charbon.

- G. Si la fiche ou le cordon est endommagé, remplacez-le par un cordon doux spécial.

8. PROTECTION ENVIRONNEMENTALE



Ce produit se distingue par le symbole du tri sélectif des équipements électroniques. Cela signifie que ce produit ne doit pas être éliminé en tant que déchet ménager mais doit être traité selon un système de collecte sélective, conformément à la directive 2002/96/CE. Il sera ensuite recyclé ou démantelé pour amoindrir l'impact environnemental ; les produits électriques et électroniques sont potentiellement dangereux pour l'environnement et la santé humaine en raison de substances toxiques.

Pour plus d'informations, veuillez contacter les autorités régionales ou locales.

Remarque :

- a. Afin de réduire l'impact environnemental (par exemple l'utilisation d'énergie) du processus de cuisson, assurez-vous que votre produit soit installé conformément au manuel de l'utilisateur, maintenez le lieu de fonctionnement aéré, faites en sorte que le conduit d'extraction soit aussi direct et aussi court que possible.
- b. Lorsque le produit a un mode de fonctionnement manuel, nous suggérons d'éteindre le moteur dans les 10 minutes qui suivent l'achèvement du processus de cuisson.
- c. Assurez-vous de démonter les composants correspondants selon le manuel de l'utilisateur lors de l'entretien non destructif ; protégez les pièces pour le travail de réinstallation afin d'éviter des dommages.

CCT 685/2 X, CCT 685/2 W, CCT 685/2 N, CCT985/2 X, CCT 985/2 W, CCT 985/2 N

Manuale d'uso

INDICE

1. Generalità.....	30
2. Precauzioni di sicurezza.....	30
3. Installazione	34
4. Consigli di installazione.....	39
5. Avvertenze di sicurezza	39
6. Funzionamento	40
7. Manutenzione	41
8. Protezione ambientale.....	42

1. GENERALITÀ

Leggere attentamente le seguenti informazioni importanti in materia di installazione, sicurezza e manutenzione. Tenere questo manuale di istruzioni a disposizione per futuro riferimento.

L'elettrodomestico è stato progettato come cappa in versione con scarico (scarico all'esterno) o con filtro (ricircolo aria interno).

2. PRECAUZIONI DI SICUREZZA

Importante Staccare sempre l'alimentazione elettrica dalla rete durante le attività di installazione e manutenzione, quale ad esempio la sostituzione delle lampadine.

- La cappa deve essere montata in accordo con le istruzioni di installazione e rispettando tutte le misure indicate.
- Tutti i lavori di installazione devono essere effettuati da operatori competenti o da elettricisti qualificati.
- Si prega di smaltire in modo appropriato il materiale di imballaggio. È pericoloso per i bambini.
- Prestare attenzione agli spigoli vivi all'interno della cappa, in particolare durante l'installazione e la pulizia.
- Quando la cappa aspirante si trova al di sopra di un elettrodomestico a gas, la distanza minima tra la superficie di supporto dei recipienti di cottura sul piano di cottura e la parte inferiore della cappa aspirante deve essere la seguente:

Fornelli a gas: 75 cm

Fornelli elettrici: 65 cm

Fornelli a carbone o gasolio: 75 cm

- Accertarsi che le tubazioni non abbiano curve più strette di 90 gradi in quanto ciò riduce la resa della cappa.
- La cappa è progettata per un uso esclusivamente domestico.
- Mettere sempre i coperchi su pentole e tegami quando si cuoce su un fornello a gas.
- Non cercare di utilizzare la cappa senza i filtri per grasso oppure se i filtri sono eccessivamente sporchi di grasso
- In modalità di estrazione, l'aria all'interno dell'ambiente viene aspirata dalla cappa. Accertarsi che siano adottate misure adeguate per la ventilazione. La cappa toglie gli odori dall'ambiente ma non il vapore.
- Deve esserci un'adeguata ventilazione dell'ambiente quando si utilizza la cappa aspirante insieme ad elettrodomestici con combustione a gas o altri combustibili
- Non montare la cappa sopra ad un fornello con grill molto alto.
- Non lasciare pentole con olio bollente incustodite durante l'utilizzo in quanto i grassi o gli oli surriscaldati possono incendiarsi.
- Non lasciare mai fiamme libere sotto la cappa.
- Se la cappa è danneggiata, non cercare di utilizzarla.
- Se il cavo di alimentazione dell'elettrodomestico

dovesse essere danneggiato, farlo sostituire dal produttore, dal suo servizio tecnico o da un tecnico qualificato, per evitare rischi.

- L'elettrodomestico può essere utilizzato da bambini di età superiore a 8 anni e da persone con ridotte capacità fisiche, sensoriali o mentali, oppure prive di esperienza e conoscenza, se supervisionate o istruite riguardo all'uso dell'elettrodomestico in sicurezza, e se comprendono i rischi che derivano dall'uso dello stesso. I bambini non devono giocare con l'elettrodomestico. La pulizia e la manutenzione da parte dell'utente non possono essere effettuate da bambini senza supervisione.
- **Attenzione:** L'elettrodomestico e i componenti accessibili si surriscaldano durante l'uso. Fare attenzione a non toccare le parti calde. I bambini di età inferiore a 8 anni devono sempre rimanere a distanza se non costantemente supervisionati.
- Deve esserci un'adeguata ventilazione dell'ambiente quando si utilizza la cappa aspirante insieme ad elettrodomestici con combustione a gas o altri combustibili
 - Se la pulizia non viene effettuata in accordo con le istruzioni, sussiste il rischio di incendi
 - Non effettuare cotture flambé sotto la cappa.
 - **ATTENZIONE:** Durante l'uso con elettrodomestici di cottura le parti accessibili possono essere molto calde.

- L'aria non deve essere scaricata in un camino usato per i fumi da elettrodomestici con combustione a gas o altri combustibili.
- La distanza minima tra la superficie di supporto dei recipienti sul piano di cottura e la parte inferiore della cappa aspirante, quando la cappa aspirante è posta sopra un elettrodomestico a gas, deve essere almeno di 65 cm
- È necessario rispettare le normative relative allo scarico dell'aria.
- Pulire con regolarità l'elettrodomestico seguendo il metodo descritto nel capitolo **MANUTENZIONE**.
- Per ragioni di sicurezza, utilizzare esclusivamente viti di fissaggio o di montaggio con le misure consigliate sul manuale di istruzioni.
- Avvertenza: Se le viti o il dispositivo di fissaggio non sono installati seguendo queste istruzioni potrebbero verificarsi rischi elettrici
- Per quanto riguarda il metodo di fissaggio dell'elettrodomestico fisso e come bloccarlo al relativo supporto, fare riferimento alla sezione **"INSTALLAZIONE E FISSAGGIO"**.
- Per quanto riguarda le istruzioni per la sostituzione delle lampadine, fare riferimento alla sezione **"Sostituzione lampadine"**.

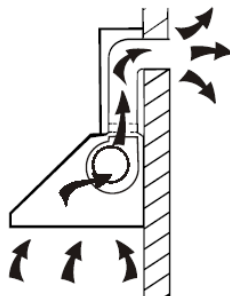
Il codice ILCOS D per la lampada è:

DBS-2.5/65-H-120/33

3. INSTALLAZIONE

INSTALLAZIONE (SCARICO ALL'ESTERNO)

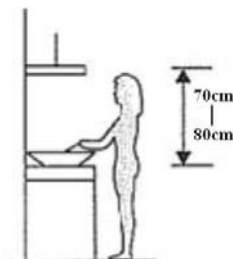
Se è disponibile uno scarico verso l'esterno la cappa può essere collegata come indicato qui di seguito tramite un tubo di estrazione (smalto, alluminio, tubo flessibile o materiale ignifugo con diametro interno di 150 mm)



Prima dell'installazione, spegnere l'elettrodomestico e staccarlo dalla presa.



La cappa deve essere posizionata ad una distanza di circa 70-80 cm dal piano di cottura per ottenere i migliori effetti.

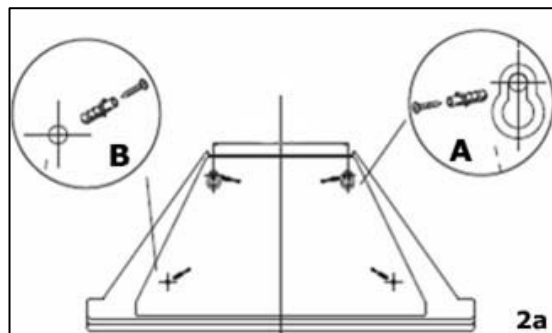
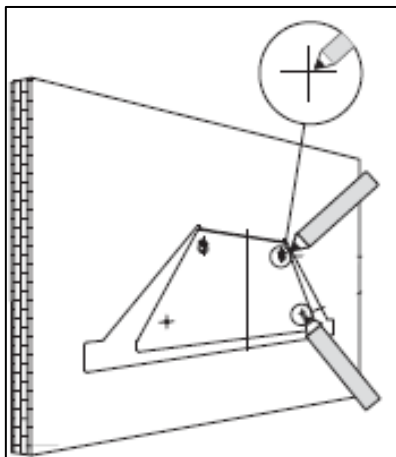


1. Togliere i filtri in metallo per il grasso.

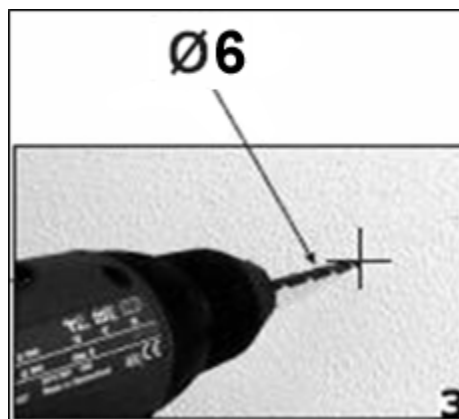


2. Posizionare la cappa contro la parete sulla quale deve essere installata e contrassegnare la posizione dei fori di supporto da praticare (come mostrato nella figura seguente).

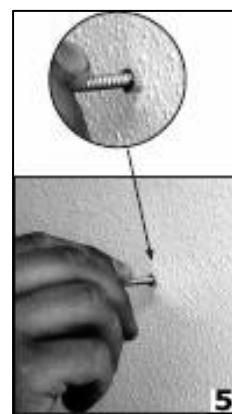
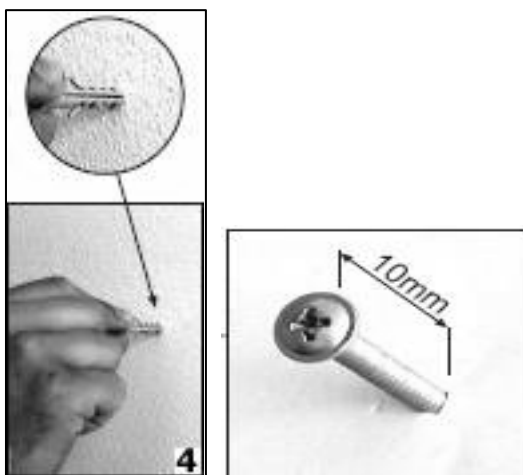
- 2a. I fori delle viti di supporto sono indicati nella figura **A** mentre i fori delle viti di fissaggio sono indicati nella figura **B**.



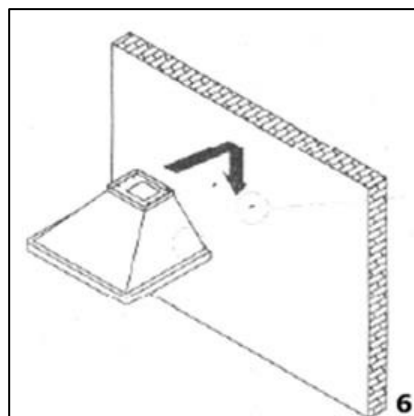
3. Utilizzando una punta da trapano con diametro di 6 mm, praticare fori nella parete nelle posizioni contrassegnate durante la fase 2.



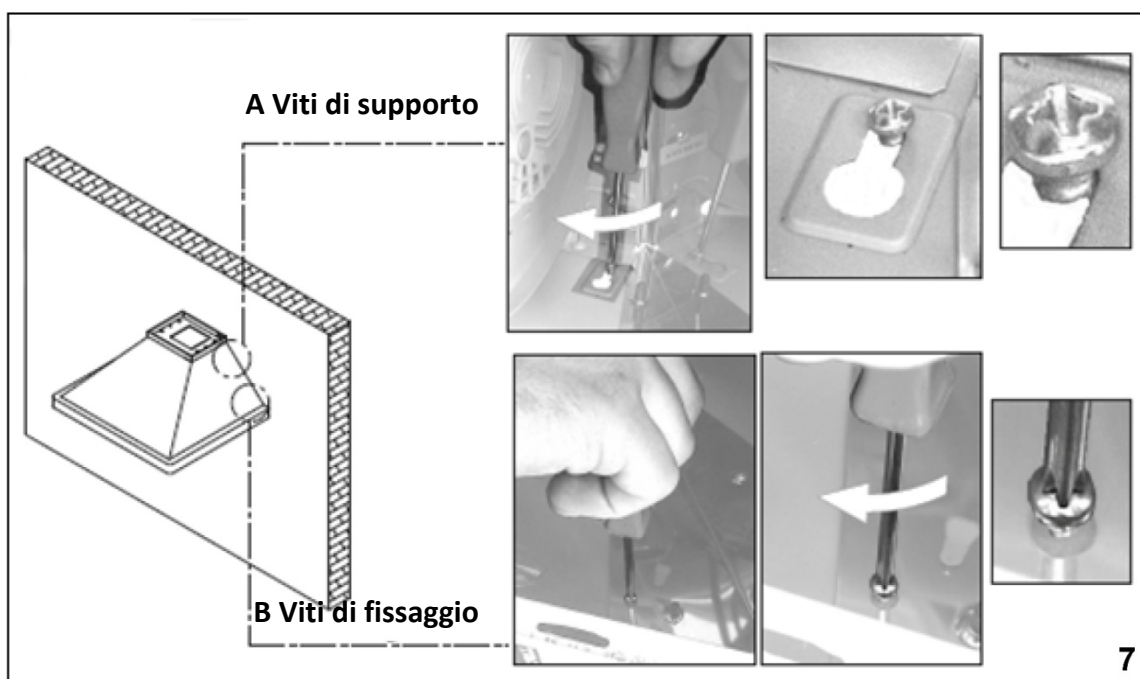
4. Inserire i tasselli in tutti i fori praticati.
 5. Avvitare per metà corsa le viti di supporto, lasciandole sporgere di 10 mm dalla parete



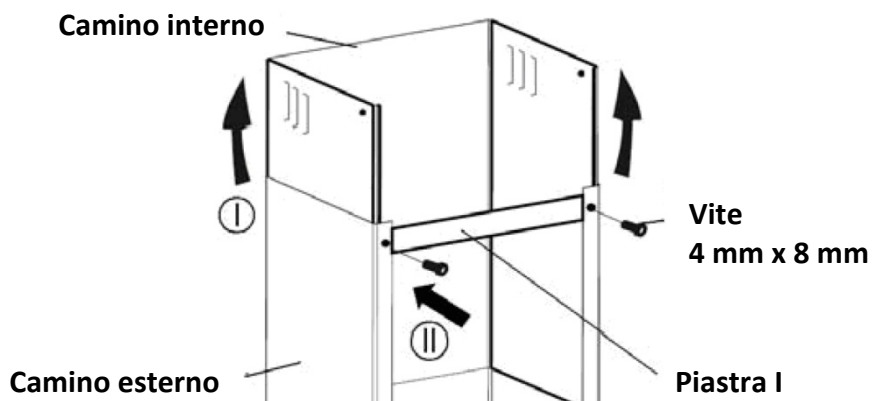
6. Appendere la cappa alle viti di supporto.



7. Avvitare a fondo le viti di supporto (A) e quindi le viti di fissaggio (B) attraverso i relativi fori nella cappa. Avvitare a fondo le viti di fissaggio nella parete.



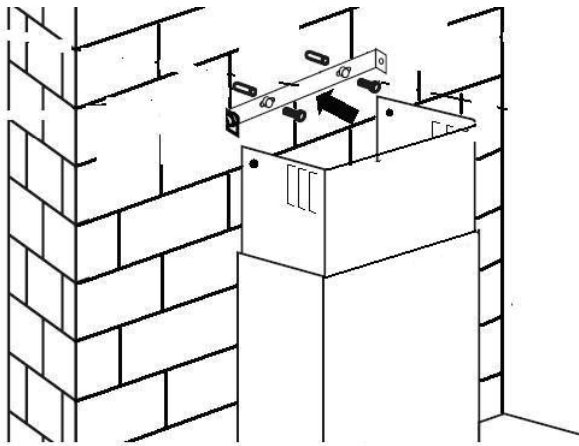
- 8 Le piastre I e II sono utilizzate per fissare il camino alla parete. Mettere il camino interno nel camino esterno. Poi tirare verso l'alto il camino interno. Montare la piastra I sul camino usando due viti (4 mm x 8 mm).



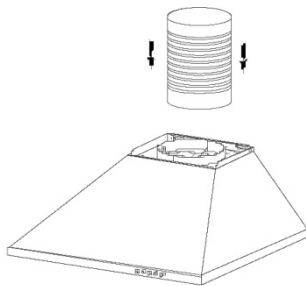
Mettere il camino nella cappa e individuare la posizione delle piastre I e II.

Praticare i fori per posizionare le piastre I e II.

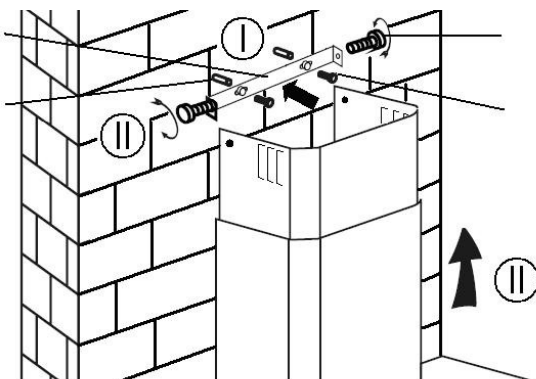
Fissare la piastra I sulla parete usando due viti (4 mm x 40 mm) e tasselli a parete.



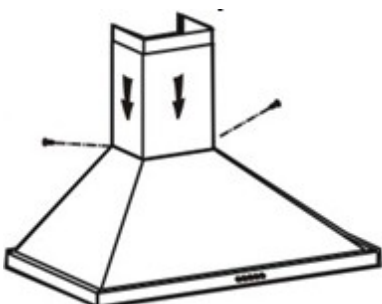
9. Estrarre il camino dalla cappa. Collegare il tubo di scarico sulla valvola unidirezionale come indicato qui di seguito.



10. Rimettere il camino sulla cappa. Prima di sollevare il camino all'altezza richiesta, fissare la piastra I sulla parete usando due viti (4 mm x 40 mm) e tasselli a parete. Sollevare il camino all'altezza richiesta e fissarlo sulla piastra II tramite 2 viti (4 mm x 8 mm)



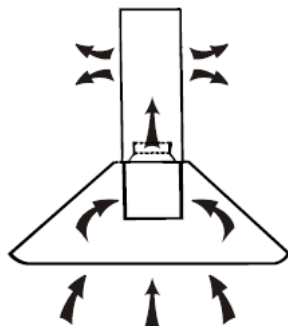
Fissare il camino inferiore sulla cappa utilizzando 2 viti (4x8 mm).



11. Prima dell'uso, leggere tutte le istruzioni ed accertarsi che la potenza di funzionamento della cappa corrisponda a quella della rete di alimentazione.

INSTALLAZIONE (PER SCARICO ALL'INTERNO)

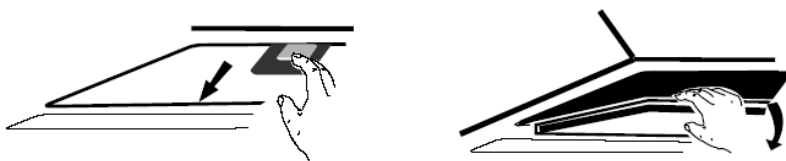
Se non si dispone di uno scarico all'esterno, il tubo di scarico non è necessario e l'installazione è simile a quella indicata nella sezione "INSTALLAZIONE (SCARICO ALL'ESTERNO)"



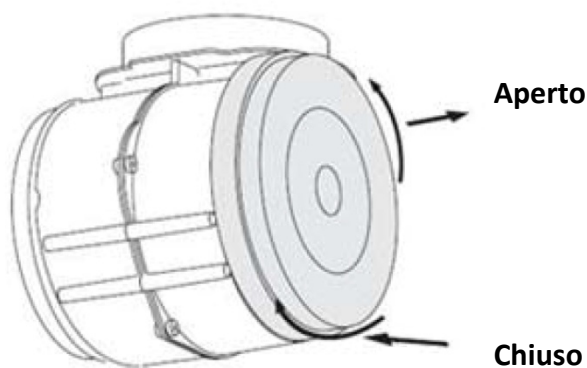
Filtro al carbone

Il filtro al carbone attivo si utilizza per filtrare gli odori.

Per montare il filtro al carbone attivo, il filtro metallico per grasso deve essere tolto. Premere il fermo e tirarlo verso il basso.



Mettere il filtro al carbone attivo nella cappa e fissarlo facendolo ruotare. Ripetere la stessa operazione sull'altro lato.

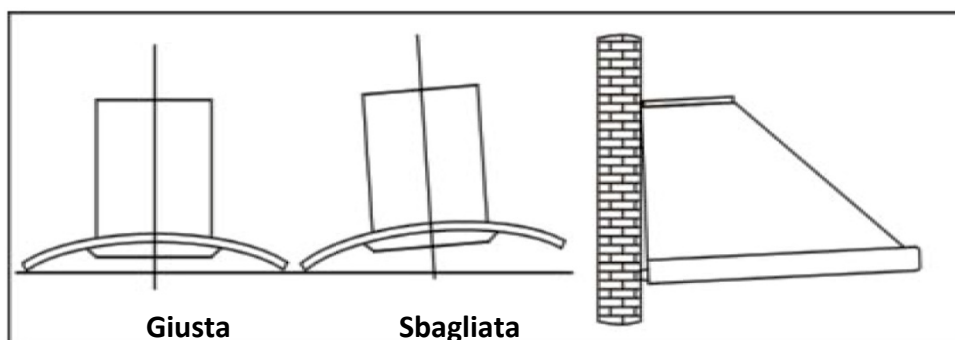


NOTA:

- Accertarsi che il filtro sia fissato saldamente. In caso contrario, il filtro potrebbe staccarsi e danneggiare la cappa.
- Quando il filtro al carbone è fissato, la potenza di aspirazione diminuisce.

4. CONSIGLI DI INSTALLAZIONE

- Per ragioni di sicurezza, utilizzare esclusivamente viti di fissaggio o di montaggio con le misure consigliate sul manuale di istruzioni.
 - **Avvertenza:** Se le viti o il dispositivo di fissaggio non sono installati seguendo queste istruzioni potrebbero verificarsi rischi elettrici
1. Prima dell'installazione, accertarsi che la zona sia pulita per evitare di aspirare frammenti di legno e polvere.
 2. La cappa non può avere lo stesso tubo di ventilazione aria di altri elettrodomestici quali il tubo del gas, il tubo del riscaldatore e il tubo di ventilazione aria calda.
 3. La curva del tubo di ventilazione deve essere a 120°, parallela o al di sopra del punto di partenza e deve essere collegata alla parete esterna.
 4. Dopo l'installazione, assicurarsi che l'estrattore sia perfettamente orizzontale, per evitare l'accumulo di grasso su una delle estremità.



5. AVVERTENZE DI SICUREZZA

- ✧ Non fare utilizzare la cappa ai bambini.
- ✧ La cappa è destinata al solo uso domestico e non è adatta per barbecue, rosticcerie e altri usi commerciali.
- ✧ Tutti i lavori di installazione devono essere effettuati da operatori competenti o da elettricisti qualificati.
- ✧ La cappa e il suo filtro devono essere puliti regolarmente per garantirne il buono stato di funzionamento.

- ✧ Prima della pulizia, assicurarsi di avere spento la cappa.
- ✧ Pulire la cappa secondo il manuale di istruzioni per evitare il rischio di bruciature.
- ✧ Non utilizzare fiamme per fare asciugare la cappa.
- ✧ Qualora la cappa presenti anomalie di funzionamento, contattare immediatamente il servizio di assistenza incaricato dall'agente.
- ✧ Ventilare la stanza quando la cappa e il piano di cottura a gas sono in funzione.
- ✧ Non scaricare il gas dalla cappa attraverso la stessa tubazione riscaldata utilizzata per il gas del piano di cottura a gas e altri elettrodomestici da cucina.
- ✧ Prima dell'installazione e dell'uso, leggere tutte le istruzioni ed accertarsi che la tensione (V) e la frequenza (Hz) indicate sulla cappa corrispondano esattamente alla tensione (V) e alla frequenza (Hz) del vostro impianto elettrico.
- ✧ Per ottenere le migliori prestazioni dalla cappa, si consiglia di leggere il manuale di istruzioni prima dell'installazione e dell'uso e di conservarlo in un luogo sicuro.
- ✧ Accertarsi che la cappa sia coperta da garanzia, fornire la scheda di garanzia e la ricevuta dell'acquisto, altrimenti la garanzia non risulterà valida.

6. FUNZIONAMENTO

Tasto

Tasto di spegnimento motore 

Premere questo tasto per interrompere il funzionamento del motore.

Tasto bassa velocità 

Premere questo tasto per azionare la cappa a bassa velocità.

Tasto media velocità 

Premere questo tasto per azionare la cappa a media velocità.

Tasto alta velocità 

Premere questo tasto per azionare la cappa ad alta velocità.

Tasto della luce 

Premendo una volta, si accendono le due lampade.
Premendo nuovamente tutte le luci si spengono.

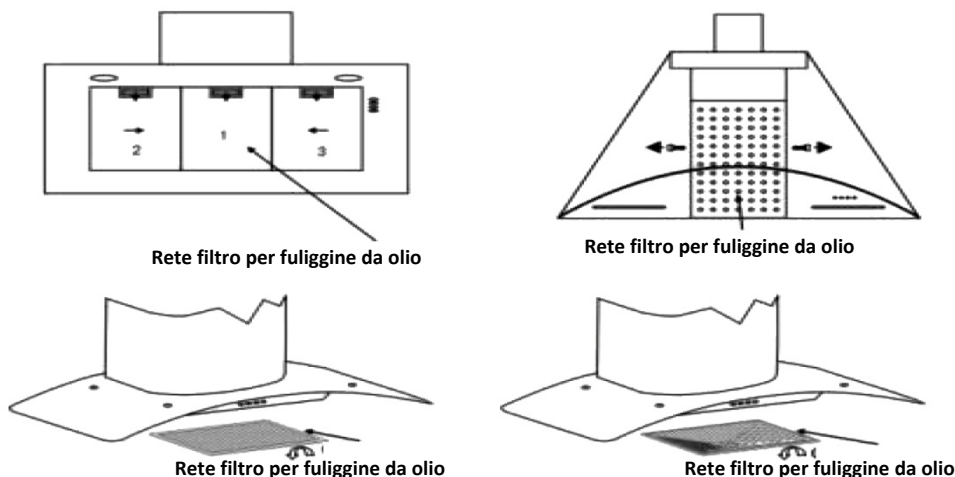
**Il codice ILCOS D per la lampada è:
DBS-2.5/65-H-120/33**

7. MANUTENZIONE

7.1 Pulizia della rete del filtro al carbone per grassi

La cappa è dotata di un filtro per grassi che facilita l'assorbimento di particelle di grasso, in modo da proteggere la cucina ed i mobili da residui di grasso.

- Questo filtro in alluminio diventa infiammabile se si satura di residui di grasso.
- Per evitare rischi di incendi, il filtro va pulito con regolarità.
- A seconda dell'uso, tale attività deve essere effettuata ogni 10-15 giorni o almeno una volta al mese, utilizzando acqua calda e un normale detergente.
- **NON LAVARE IL FILTRO PER GRASSI IN LAVASTOVIGLIE.**
- Immergere il filtro per grassi in una soluzione di acqua calda e liquido detergente per almeno 5 minuti (o più a lungo con accumulo di grasso notevole).
- Risciacquare a fondo con acqua calda. Ripetere la procedura se necessario.
- Rimontare il filtro per grassi una volta asciugato **COMPLETAMENTE**



7.2 Istruzioni per la pulizia della cappa

- A.** Per proteggere il corpo principale dalla corrosione per un lungo periodo di tempo, la cappa deve essere pulita con acqua calda e detergente non corrosivo ogni due mesi.
- B.** Non usare detersivi abrasivi per la pulizia della cappa, in quanto il corpo potrebbe danneggiarsi.
- C.** Togliere le tracce di acqua dal motore e da altri componenti, in quanto l'acqua rischia di danneggiarli.
- D.** Ricordarsi di staccare l'alimentazione prima di pulire l'elettrodomestico
- E.** Il filtro al carbone non deve essere esposto al calore.
- F.** Non strappare per aprire la barra fissa intorno al filtro al carbone.
- G.** Se la spina o il cavo sono danneggiati, sostituirli con un cavo flessibile speciale.

8. PROTEZIONE AMBIENTALE



Questo prodotto riporta il simbolo relativo alla raccolta differenziata dei rifiuti di apparecchiature elettriche ed elettroniche. Ciò significa che il prodotto non deve essere smaltito come rifiuto domestico ma tramite una raccolta differenziata, in accordo con la Direttiva 2002/96/CE. Sarà quindi riciclato o smantellato in modo tale da ridurre al minimo gli impatti sull'ambiente; i prodotti elettrici ed elettronici sono potenzialmente pericolosi per l'ambiente e la salute dell'uomo a causa della presenza di sostanze pericolose.

Per ulteriori informazioni, si prega di rivolgersi alle autorità locali o regionali.

Nota

- a. Per ridurre l'impatto ambientale (ad esempio consumo energetico) del processo di cottura, accertarsi sempre che il prodotto sia stato montato secondo il manuale d'uso, tenere ventilato il locale nel quale si utilizza, mantenere il tubo di estrazione il più diretto e corto possibile.
- b. Per il prodotto con modalità di funzionamento manuale, si suggerisce di spegnere il motore entro 10 minuti dal termine del processo di cottura.
- c. Accertarsi di smontare i componenti collegati secondo il manuale d'uso quando si effettua una manutenzione conservativa: proteggere i componenti per facilitare le operazioni di rimontaggio e prevenire rotture.

CCT 685/2 X, CCT 685/2 W, CCT 685/2 N, CCT985/2 X, CCT 985/2 W, CCT 985/2 N

Instrukcja obsługi

SPIS TREŚCI

1. Wprowadzenie	44
2. Środki bezpieczeństwa.....	44
3. Instalacja	48
4. Wskazówki dotyczące instalacji	53
5. Ostrzeżenia związane z bezpieczeństwem	53
6. Obsługa	54
7. Konserwacja	55
8. Ochrona środowiska	56

1. WPROWADZENIE

Należy uważnie przeczytać podane poniżej ważne informacje dotyczące instalacji, bezpieczeństwa i konserwacji. Zachować niniejszą broszurę informacyjną w razie potrzeby przejrzenia informacji w przyszłości.

Urządzenie to zaprojektowano jako okap kuchenny w wersji odprowadzającej powietrze (wylot na zewnątrz) lub w wersji z filtrem (recyrkulacja powietrza wewnętrznego).

2. ŚRODKI BEZPIECZEŃSTWA

Ważne! Należy zawsze odłączać zasilanie od sieci elektrycznej na czas instalacji i przeprowadzania czynności konserwacyjnych, na przykład wymiany żarówki.

- Okap kuchenny należy zainstalować zgodnie z instrukcją instalacji i podanymi środkami ostrożności.
- Wszelkie czynności instalacyjne powinna wykonać kompetentna osoba lub wykwalifikowany elektryk.
- Usunąć materiał opakowania z należytą starannością. Może on stanowić zagrożenie dla dzieci.
- Uważać na ostre krawędzie wewnątrz okapu, zwłaszcza podczas instalacji i czyszczenia.
- Gdy okap kuchenny jest umieszczany nad kuchenką gazową, minimalna odległość między powierzchnią płyty grzejnej, na której położone są naczynia do gotowania, a najniższą częścią okapu, musi być następująca:

Kuchenki gazowe: 75 cm

Kuchenki elektryczne: 65 cm

Kuchenki węglowe lub olejowe: 75 cm

- Upewnić się, że kanał nie jest zagięty bardziej niż pod kątem 90 stopni, ponieważ może to ograniczyć skuteczność działania okapu.
- Okap kuchenny służy wyłącznie do użytku domowego.
- Zawsze umieszczać pokrywki na garnkach i patelniach podczas gotowania na kuchence gazowej.
- Nie próbować używać okapu bez filtrów przeciwtłuszczowych lub jeśli filtry są nadmiernie zabrudzone tłuszczem.
- W trybie wyciągania powietrze jest przez okap usuwane z pomieszczenia. Upewnić się, że zapewniona jest prawidłowa wentylacja pomieszczenia. Okap kuchenny usuwa z pomieszczenia nieprzyjemny zapach, ale nie parę.
- Powinna być zapewniona odpowiednia wentylacja pomieszczenia, kiedy okap kuchenny jest używany wspólnie z urządzeniami spalającymi gaz lub inne paliwa.
- Nie instalować nad kuchenką z wysoko położonym grillem.
- Nie zostawiać bez nadzoru patelni, na której smaży się potrawa, ponieważ przegrzane tłuszcze lub oleje mogą się zapalić.
- Nigdy nie zostawiać otwartych płomieni pod okapem.
- W razie uszkodzenia okapu nie należy próbować z niego korzystać.
- W razie uszkodzenia kabla zasilającego powinien go wymienić producent, serwisant lub inna wykwalifikowana osoba, aby uniknąć zagrożenia.

- Urządzenie to może być obsługiwane przez dzieci powyżej 8 roku życia oraz osoby o ograniczonej zdolności fizycznej, czuciowej lub psychicznej bądź nieposiadające doświadczenia i wiedzy, jeśli są one pod nadzorem lub poinstruowano je w zakresie bezpiecznej obsługi urządzenia i zrozumiały one ewentualne zagrożenia. Nie zezwalać dzieciom na zabawę z urządzeniem. Czyszczenie i konserwacja urządzenia nie powinny być przeprowadzane przez dzieci bez nadzoru.
- Przestroga: Urządzenie i niektóre z jego elementów mogą się nagrzać w trakcie pracy. Należy unikać dotykania nagrzaných elementów. Dzieci w wieku poniżej 8 lat należy trzymać z dala od urządzenia, chyba że są one pod stałym nadzorem.
- Powinna być zapewniona odpowiednia wentylacja pomieszczenia, kiedy okap kuchenny jest używany wspólnie z urządzeniami spalającymi gaz lub inne paliwa.
 - Istnieje ryzyko pożaru, jeśli czyszczenie nie będzie przeprowadzane zgodnie z instrukcjami.
 - Nie doprowadzać do powstawania wysokiego płomienia pod okapem.
 - **PRZESTROGA:** Dostępne elementy mogą się nagrzewać w przypadku korzystania z urządzeń kuchennych.
 - Powietrze nie może być odprowadzane do kanału wentylacyjnego, który jest wykorzystywany do odprowadzania dymów z urządzeń spalających gaz lub inne paliwa.

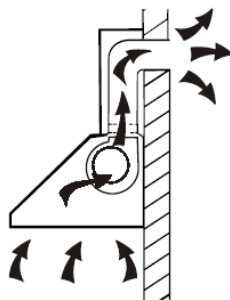
- Minimalna odległość między powierzchnią płyty grzejnej, na której położone są naczynia do gotowania, a najniższą częścią okapu. (Gdy okap kuchenny umieszczony jest nad urządzeniem gazowym, należy zachować co najmniej 65 cm odległości).
- Należy przestrzegać przepisów dotyczących odprowadzania powietrza.
- Okresowo należy czyścić swoje urządzenie zgodnie z metodą opisaną w rozdziale **KONSERWACJA**.
- Ze względów bezpieczeństwa należy stosować wyłącznie taki sam rozmiar mocowania lub śrub montażowych, jaki zalecany jest w niniejszej instrukcji.
- Ostrzeżenie: Niezainstalowanie śrub lub mocowania zgodnie z instrukcjami może skutkować zagrożeniami związanymi z zasilaniem elektrycznym.
- Jeśli chodzi o instrukcję mocowania zmontowanego urządzenia i sposób mocowania urządzenia do jego wspornika, należy zapoznać się z rozdziałem „**INSTALACJA I MOCOWANIE**”.
- Jeśli chodzi o instrukcję wymiany żarówki, należy zapoznać się z rozdziałem „**Wymiana żarówki**”.

Kod ILCOS D żarówki jest następujący:
DBS-2.5/65-H-120/33

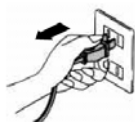
3. INSTALACJA

INSTALACJA (WYLOT NA ZEWNĄTRZ)

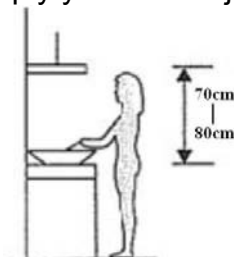
Jeśli dostępne jest odprowadzenie na zewnątrz, okap kuchenny można podłączyć, jak pokazano na poniższym rysunku, używając kanału wylotowego (pokrytego emalią, wykonanego z aluminium, rury elastycznej lub niepalnego materiału o średnicy wewnętrznej 150 mm).



Przed instalacją należy wyłączyć urządzenie i odłączyć je od zasilania.



W celu uzyskania najlepszego efektu okap kuchenny powinien być umieszczany w odległości 70~80 cm od powierzchni płyty kuchennej.

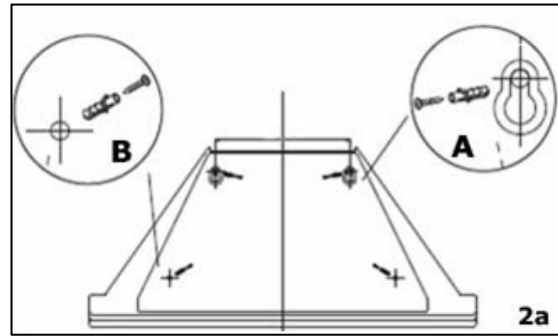
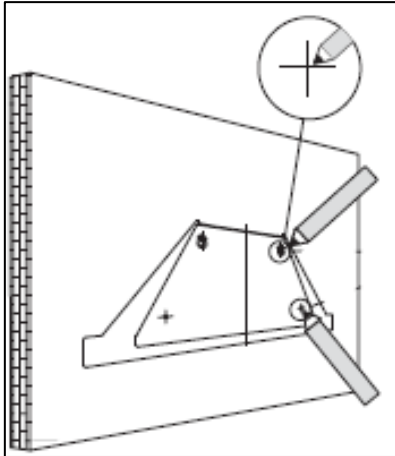


1. Wyjąć metalowe filtry przeciw tłuszczowe.

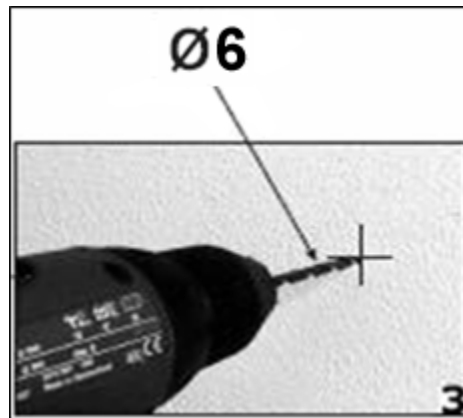


2. Przyłożyć okap do ściany, na której zamierzasz go zainstalować i zaznaczyć pozycję otworów na śruby podporowe, które należy wywiercić (jak pokazano na poniższym rysunku).

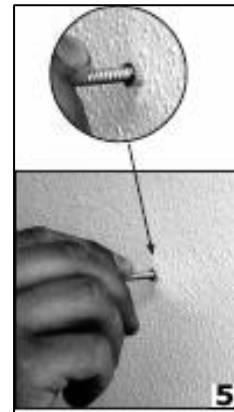
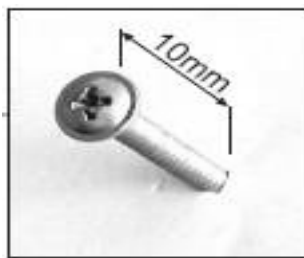
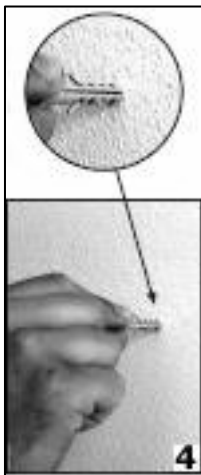
2a. Otwory na śruby podporowe pokazano na szczególe **A** wspomnianego rysunku, a otwory na śruby mocujące pokazano na szczególe **B**.



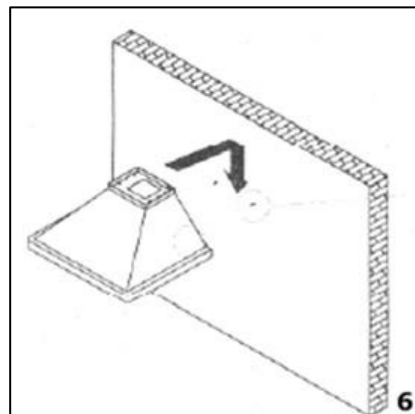
3. Przy użyciu wiertarki z wiertłem o średnicy 6 mm wykonać w ścianie otwory w zaznaczonych w punkcie 2 miejscach.



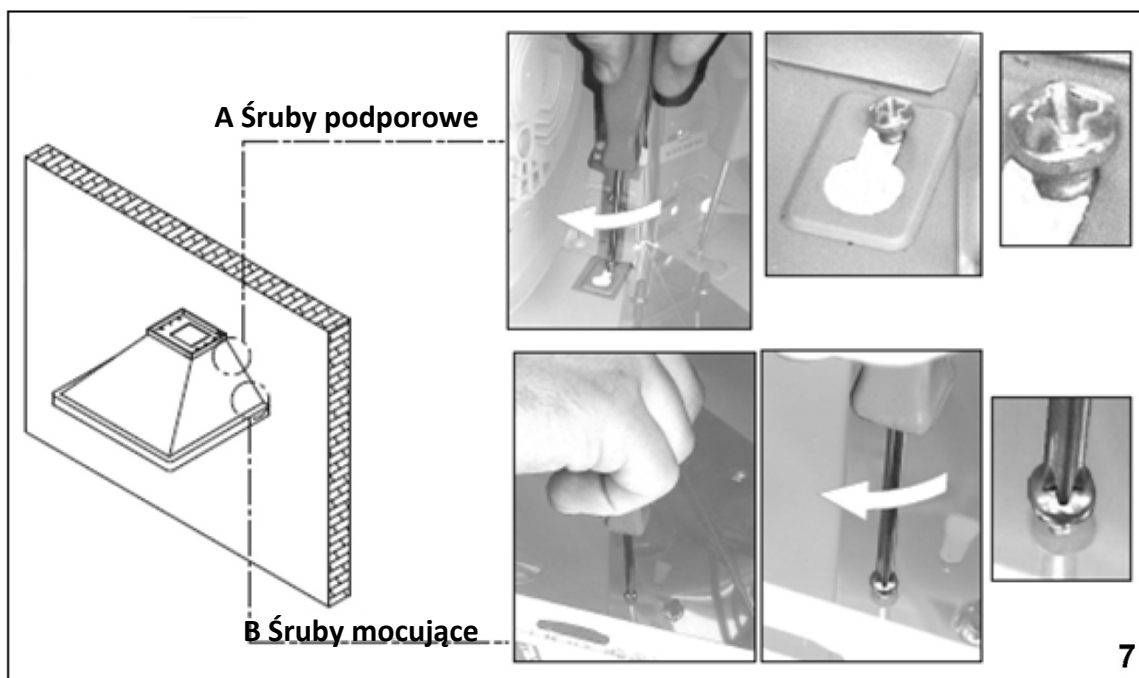
4. Włożyć kołki montażowe do wszystkich wywierconych otworów.
5. Wkręcić śruby podporowe do połowy gwintu, tak aby 10 mm wystawało poza ścianę.



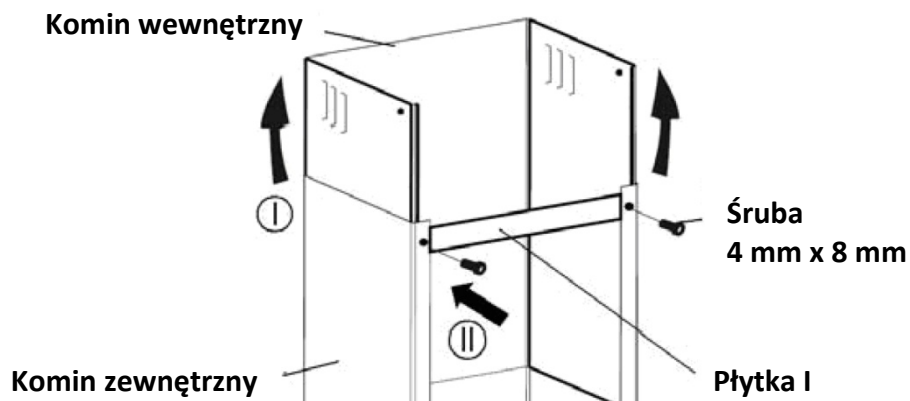
6. Powiesić okap kuchenny na śrubach.



7. Całkowicie dokręcić śruby podporowe (**A**), a następnie śruby mocujące (**B**) przez odpowiednie otwory w okapie. Całkowicie dokręcić śruby mocujące do ściany.



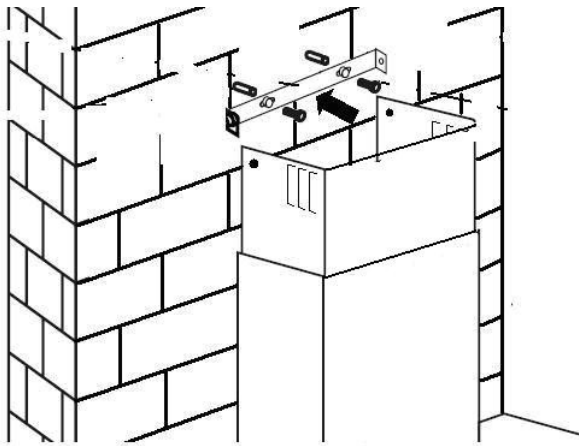
- 8 Płytki I i II służą do umocowania kominu do ściany. Nałożyć komin wewnętrzny na komin zewnętrzny. Następnie wyciągnąć komin wewnętrzny do góry. Zainstalować płytkę I na kominie za pomocą dwóch śrub (4 mm x 8 mm).



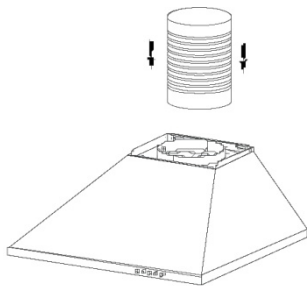
Umieścić komin na okapie i określić położenie płytek I i II.

Wywiercić otwory w celu ułożenia płytek I i II.

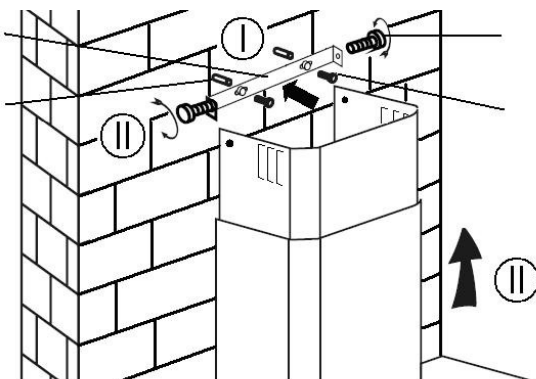
Zamocować płytkę II na ścianie za pomocą dwóch śrub (4 mm x 40 mm) i kołków montażowych.



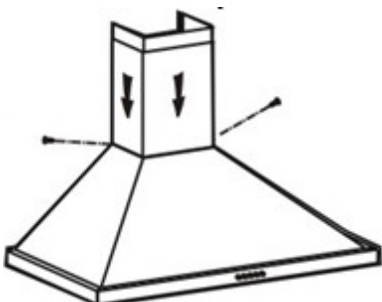
9. Wyjąć komin z okapu. Zamocować rurę wylotową na zaworze jednokierunkowym, jak pokazano poniżej.



10. Umieścić ponownie komin na okapie. Przed podniesieniem komina na żądaną wysokość należy zamocować płytkę I na ścianie za pomocą dwóch śrub (4 mm x 40 mm) i kołków montażowych. Podnieść komin na żądaną wysokość i zamontować komin na płytce II za pomocą 2 śrub (4 mm x 8 mm)



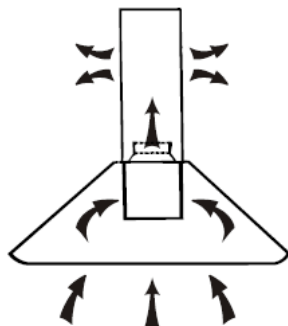
Zamontować dolny komin na okapie za pomocą 2 śrub (4 x 8 mm)



11. Przed użyciem należy przeczytać wszystkie instrukcje i upewnić się, że moc znamionowa okapu kuchennego pasuje do mocy układu zasilania.

INSTALACJA (OPCJONALNA W PRZYPADKU WENTYLACJI WEWNĘTRZNEJ)

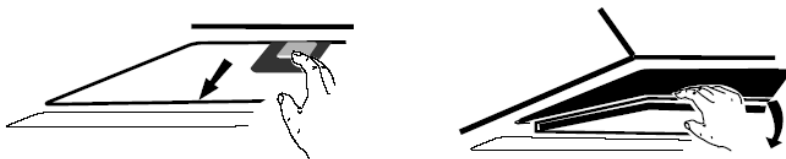
Jeśli nie jest dostępne odprowadzenie na zewnątrz, rura wylotowa nie jest wymagana i instalacja jest podobna do tej opisanej w rozdziale „INSTALACJA (WENTYLACJA NA ZEWNĄTRZ)”.



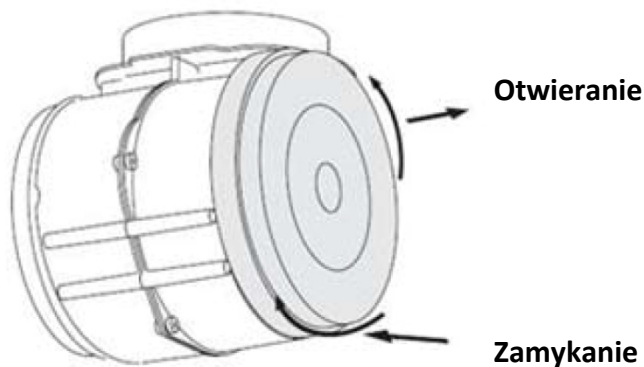
Filtr węglowy

W uchylanych drzwiczkach może być stosowany filtr z węglem aktywnym.

W celu zainstalowania filtra z węglem aktywnym należy najpierw wymontować metalowy filtr przeciw tłuszczowy. Nacisnąć na blokadę i pociągnąć w dół.



Umieścić filtr z węglem aktywnym w urządzeniu, mocując go poprzez obrócenie nim. Powtórzyć tę samą czynność po drugiej stronie.

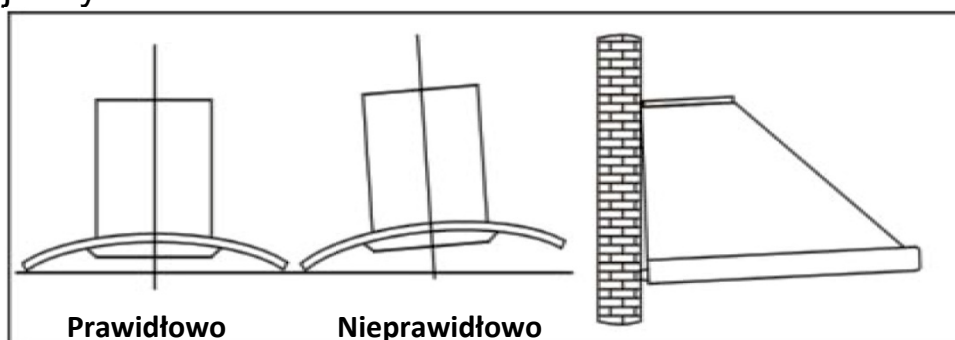


UWAGA:

- Upewnić się, że filtr jest bezpiecznie zablokowany. W przeciwnym razie może wypaść i spowodować uszkodzenie urządzenia.
- Po zamontowaniu filtra z węglem aktywnym moc ssania okapu zostanie obniżona.

4. WSKAZÓWKI DOTYCZĄCE INSTALACJI

- Ze względów bezpieczeństwa należy stosować wyłącznie taki sam rozmiar mocowania lub śrub montażowych, jaki zalecany jest w niniejszej instrukcji.
- Ostrzeżenie: Niezainstalowanie śrub lub mocowania zgodnie z instrukcjami może skutkować zagrożeniami związanymi z zasilaniem elektrycznym.
 1. Przed instalacją należy się upewnić, że dane miejsce jest czyste, aby uniknąć wessania pozostałych kawałków drewna i kurzu.
 2. Urządzenie to nie może dzielić kanału wentylacyjnego z kanałami odprowadzającymi z innych urządzeń, jak kanał odprowadzania spalin gazowych czy ciepłego powietrza.
 3. Kąt wygięcia kanału wentylacyjnego powinien wynosić 120° , równoległe lub powyżej punktu początkowego i powinien on być podłączony do ściany zewnętrznej.
 4. Po zainstalowaniu należy upewnić się, że wyciąg jest wypoziomowany, aby zapobiec gromadzeniu się tłuszczu na jednym końcu.



5. OSTRZEŻENIA ZWIĄZANE Z BEZPIECZEŃSTWEM

- ✧ Dzieci nie powinny korzystać z okapu kuchennego.
- ✧ Okap kuchenny służy wyłącznie do użytku domowego, nie nadaje się do grillowania, użytkowania w barach szybkiej obsługi czy do użytku komercyjnego.
- ✧ Wszelkie czynności instalacyjne powinien wykonać wykwalifikowany elektryk lub kompetentna osoba.

- ✧ Okap kuchenny oraz jego filtr powinny być regularnie czyszczone, aby utrzymać je we właściwym stanie technicznym.
- ✧ Przed czyszczeniem należy się zawsze upewnić, że okap kuchenny został wyłączony.
- ✧ Okap kuchenny należy czyścić zgodnie z instrukcją obsługi i zapobiegać ryzyku powstania pożaru.
- ✧ Do suszenia okapu kuchennego nie należy używać ognia.
- ✧ W razie jakiegokolwiek usterki posiadanego okapu kuchennego należy natychmiast skontaktować się z wyznaczonym przez przedstawiciela firmy działem serwisowym.
- ✧ Podczas korzystania z okapu kuchennego i kuchenki gazowej należy zapewnić, aby pomieszczenie było przewiewne.
- ✧ Nie należy odprowadzać gazów z okapu kuchennego przez ten sam kanał, który używany jest przez kuchenkę gazową lub inne urządzenia kuchenne.
- ✧ Przed instalacją i użyciem należy przeczytać wszystkie instrukcje i upewnić się, że podane na okapie napięcie (V) oraz częstotliwość (Hz) są jednakowe jak napięcie (V) i częstotliwość (Hz) przewidziane w sieci domowej.
- ✧ Aby jak najlepiej wykorzystywać posiadany okap kuchenny, należy przeczytać instrukcję obsługi przed zainstalowaniem go i pierwszym użyciem, a następnie przechowywać ją w bezpiecznym miejscu.
- ✧ W celu skorzystania z naszej gwarancji na okap kuchenny należy posiadać kartę gwarancyjną oraz dowód zakupu, w przeciwnym razie gwarancja nie zostanie uznana.

6. OBSŁUGA

Przycisk

Wyłącznik silnika 0

Nacisnąć ten przycisk, aby zatrzymać pracę silnika.

Przycisk niskiej prędkości ↻

Nacisnąć ten przycisk, aby uruchomić niską prędkość.

Przycisk średniej prędkości ↻

Nacisnąć ten przycisk, aby uruchomić średnią prędkość.

Przycisk wysokiej prędkości ↻

Nacisnąć ten przycisk, aby uruchomić wysoką prędkość.

Przycisk oświetlenia ✨

Nacisnąć raz, zaświecą się dwie lampki. Nacisnąć ponownie, aby wyłączyć oświetlenie.

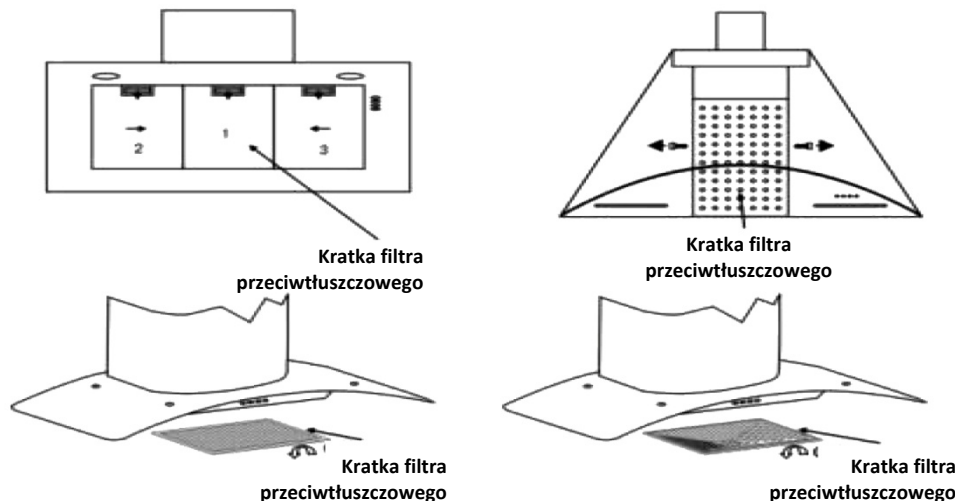
**Kod ILCOS D żarówki jest następujący:
DBS-2.5/65-H-120/33**

7. KONSERWACJA

7.1 Czyszczenie siatki filtra przeciwtłuszczowego

Niniejszy okap kuchenny posiada filtr przeciwtłuszczowy, który pochłania cząstki tłuszczu w celu zabezpieczania kuchenki i mebli przed jego pozostałościami.

- Ten aluminiowy filtr może stać się łatwopalny, jeśli nagromadzi się na nim zbyt duża ilość pozostałości tłuszczu.
- Aby uniknąć ryzyka pożaru, filtr ten powinien być regularnie czyszczony.
- W zależności od częstotliwości użytkowania czynność tę należy wykonywać co 10-15 dni lub przynajmniej raz w miesiącu przy użyciu gorącej wody i normalnego płynu do mycia naczyń.
- **NIE NALEŻY MYĆ FILTRA PRZECIWTŁUSZCZOWEGO W ZMYWARCE.**
- Zmoczyć filtr przeciwtłuszczowy gorącą wodą i przemywać płynem przez co najmniej 5 minut (lub dłużej, jeśli nagromadziła się na nim duża ilość tłuszczu)
- Przepłukać obficie gorącą wodą. W razie potrzeby czynność powtórzyć.
- Zamontować filtr na miejscu, gdy będzie **CAŁKOWICIE** suchy.



7.2 Uwaga dotycząca czyszczenia okapu kuchennego

- A.** Aby uchronić główny korpus przed korozją w dłuższej perspektywie czasowej, co dwa miesiące okap kuchenny powinien być czyszczony gorącą wodą i niekorozyjnym detergentem.
- B.** Nie należy używać detergentu ściernego, ponieważ może on uszkodzić powierzchnię korpusu.
- C.** Należy uważać, aby do silnika oraz innych części nie przedostała się woda, ponieważ spowoduje ona uszkodzenie urządzenia.
- D.** Przed czyszczeniem urządzenia należy pamiętać o odłączeniu go od zasilania.

- E. Filtr węglowy nie powinien być wystawiany na działanie wysokich temperatur.
- F. Nie należy rozrywać stałej kratki wokół filtra węglowego.
- G. W razie uszkodzenia wtyczki lub przewodu należy je wymienić na specjalny miękki przewód.

8. OCHRONA ŚRODOWISKA



Produkt ten jest oznaczony symbolem dotyczącym selektywnego sortowania odpadów elektronicznych. Oznacza to, że produktu tego nie należy wyrzucać razem z odpadami domowymi, ale należy skorzystać z systemu selektywnej zbiórki odpadów zgodnie z Dyrektywą 2002/96/WE. Zostanie on następnie poddany recyklingowi lub zdemontowany w celu zminimalizowania wpływu na środowisko. Produkty elektryczne i elektroniczne są potencjalnie niebezpieczne dla środowiska i zdrowia ludzkiego ze względu na zawarte w nich niebezpieczne substancje. W celu uzyskania dodatkowych informacji należy skontaktować się z władzami lokalnymi lub regionalnymi.

Uwaga:

- a. Aby ograniczyć wpływ procesu gotowania na środowisko (np. zużycie energii), należy się upewnić, że posiadany produkt jest zainstalowany zgodnie z instrukcją obsługi, zapewnić odpowiednią wentylację pomieszczenia, a także przewidzieć możliwie jak najkrótszy i najbardziej bezpośredni kanał odprowadzający.
- b. W przypadku produktów obsługiwanych ręcznie zalecamy wyłączenie silnika w ciągu 10 minut od momentu ukończenia procesu gotowania.
- c. Należy się upewnić, że poszczególne komponenty są demontowane zgodnie z instrukcją obsługi, aby nie doprowadzić do uszkodzeń i aby możliwe było późniejsze ponowne, łatwe zmontowanie i zainstalowanie urządzenia.

CCT 685/2 X, CCT 685/2 W, CCT 685/2 N, CCT985/2 X, CCT 985/2 W, CCT 985/2 N

Návod k obsluze

OBSAH

1. Úvod	58
2. Bezpečnostní opatření	58
3. Instalace	62
4. Upozornění k instalaci	67
5. Bezpečnostní varování	67
6. Provoz	68
7. Údržba	69
8. Ochrana životního prostředí	70

1. ÚVOD

Pečlivě si přečtěte následující důležité informace týkající se instalace, bezpečnosti a údržby. Tuto informační brožuru uchovávejte na přístupném místě, abyste do ní mohli případně v budoucnu nahlédnout.

Tento spotřebič byl navržen ve verzi odsávání (externí odtah) nebo ve verzi filtru (recyklace interního vzduchu).

2. BEZPEČNOSTNÍ OPATŘENÍ

Důležité! Během instalace a údržby, jako je výměna žárovky, vždy vypněte přívod elektřiny v síti.

- Odsavač musí být instalován v souladu s pokyny pro instalaci a je nutné dodržet všechny uvedené rozměry.
- Veškeré instalační práce musí být provedeny odborně způsobilou osobou nebo kvalifikovaným elektrikářem.
- Obalový materiál zlikvidujte dle předpisů. Děti by se jím mohly poranit.
- Dávejte pozor na ostré hrany uvnitř odsavače, zvláště při jeho instalaci a čištění.
- Je-li odsavač umístěn nad plynovým spotřebičem, minimální vzdálenost mezi nosnou plochou varných nádob na varné desce a nejnižší částí okraje odsavače musí být:

Plynové sporáky:	75 cm
Elektrické sporáky:	65 cm
Sporáky na uhlí nebo olej:	75 cm
- Zkontrolujte, zda vedení nemá ohyb větší než 90 stupňů, protože to snižuje účinnost odsavače.

- Odsavač je určen výhradně k domácímu použití.
- Při vaření na plynovém sporáku vždy přikryjte nádoby pokličkou.
- Nepokoušejte se používat odsavač bez tukových filtrů nebo s nadměrně mastnými filtry.
- V režimu odsávání se pomocí odsavače odsává vzduch v místnosti. Zkontrolujte prosím, zda jsou dodržena správná opatření pro větrání. Odsavač odstraňuje pachy z místnosti, ale ne páru.
- Pokud se odsavač používá společně s jinými spotřebiči spalujícími plyn nebo jiná paliva, musí být v místnosti dostatečné větrání.
- Neinstalujte odsavač nad sporák se samostatným grilováním nad varnou deskou.
- Při smažení jídel nenechávejte pánev bez dozoru, protože přehřátý tuk nebo olej by se mohl vznítit.
- Nikdy nenechávejte pod odsavačem otevřený plamen.
- Jestliže se odsavač sporáku poškodí, nepoužívejte ho.
- Jestliže je poškozený přívodní kabel, smí ho vyměnit pouze výrobce, servisní technik nebo osoba s podobnou příslušnou kvalifikací, jinak by mohlo dojít k úrazu.
- Tento spotřebič nesmějí používat děti do 8 let a osoby se sníženými fyzickými, smyslovými nebo duševními schopnostmi, nebo bez

patřičných zkušeností a znalostí, pokud je nesledují osoby odpovědné za jejich bezpečnost, nebo jim nedávají příslušné pokyny k bezpečnému použití spotřebiče, a pokud si tyto osoby a děti neuvědomují možná nebezpečí. Děti si se spotřebičem nesmějí hrát. Děti nesmějí bez dozoru dospělých zařízení čistit, ani provádět činnosti údržby.

- Pozor: Spotřebič a jeho přístupné části se během provozu mohou zahřát na vysokou teplotu. Buďte opatrní a nedotýkejte se topných článků. Děti mladší než 8 let by se neměly ke spotřebiči přibližovat, pokud nejsou pod stálým dohledem.
- Pokud se odsavač používá společně s jinými spotřebiči spalujícími plyn nebo jiná paliva, musí být v místnosti dostatečné větrání.
 - Pokud čištění není prováděno v souladu s pokyny, hrozí nebezpečí vzniku požáru.
 - Pod odsavačem nepřipravujte flambovaná jídla.
 - POZOR: Přístupné díly spotřebiče se při použití s varnými spotřebiči mohou zahřát na vysokou teplotu.
 - Vzduch se nesmí odvádět do kouřových trubek, které se používají k odtahu spalin z topení na plyn nebo jiné palivo.
 - Minimální vzdálenost mezi nosnou plochou varných nádob na varné desce a nejnižší částí okraje odsavače musí být dodržena. (Je-li

odsavač umístěn nad plynovým spotřebičem, vzdálenost musí být nejméně 65 cm.)

– Musí být dodrženy předpisy týkající se vypouštění vzduchu.

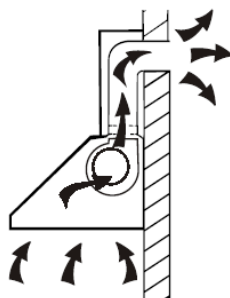
- Spotřebič čistěte pravidelně podle postupu uvedeného v kapitole ÚDRŽBA.
- Z bezpečnostních důvodů používejte pouze stejnou velikost upevňovacího nebo montážního šroubu, která je doporučena v tomto návodu k obsluze.
- Varování: Pokud nepoužijete šrouby nebo upevňovací zařízení v souladu s těmito pokyny, může dojít k úrazu elektrickým proudem.
- Pokyny ke způsobu připevnění spotřebiče a postup připevnění k jeho držáku naleznete v části „**INSTALACE A PŘIPEVNĚNÍ**“.
- Pokyny k výměně žárovky naleznete v části „**Výměna žárovky**“.

Kód ILCOS D pro lampu je: DBS-2.5/65-H-120/33

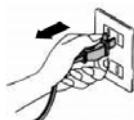
3. INSTALACE

INSTALACE (VENKOVNÍ ODVĚTRÁNÍ)

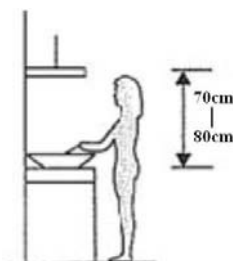
Pokud je ve zdi otvor ven, lze odsavač připojit podle níže uvedeného obrázku pomocí odtahového vedení (smaltovaná, hliníková ohebná trubka nebo trubka z nehořlavého materiálu s vnitřním průměrem 150 mm).



Před instalací spotřebič vypněte a odpojte jej ze zásuvky.



Odsavač nejlépe funguje, pokud je umístěn ve vzdálenosti 70–80 cm nad varnou plochou.

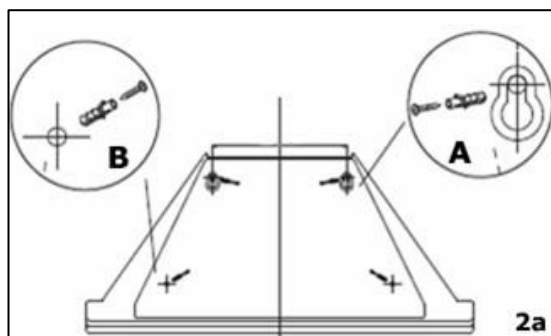
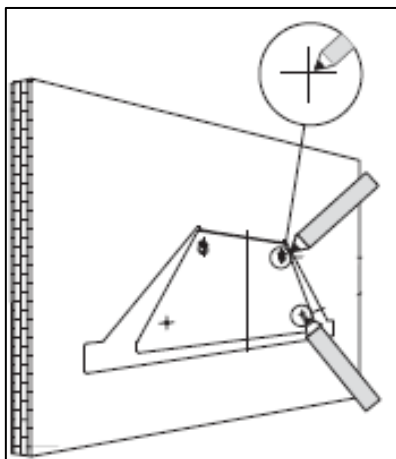


1. Vyjměte kovové tukové filtry.

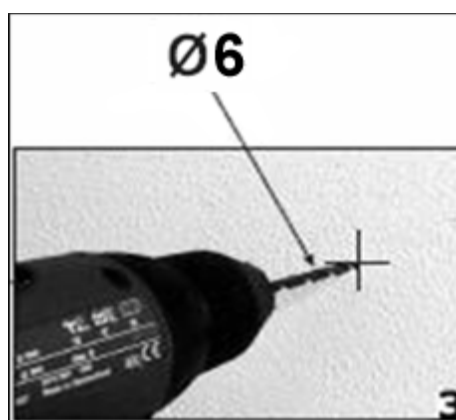


2. Umístěte odsavač proti stěně, kam jej chcete nainstalovat, a označte polohu otvorů, které se mají vyvrtat (jak je znázorněno na obrázku níže).

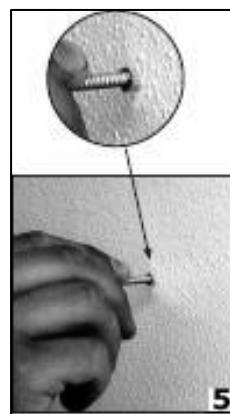
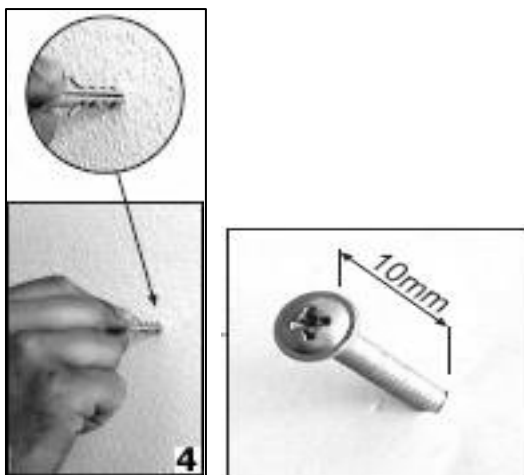
- 2a. Otvory opěrných šroubů jsou znázorněny na obrázku **A** tohoto výkresu a otvory pro ukotvovací šrouby jsou znázorněny na obrázku **B**.



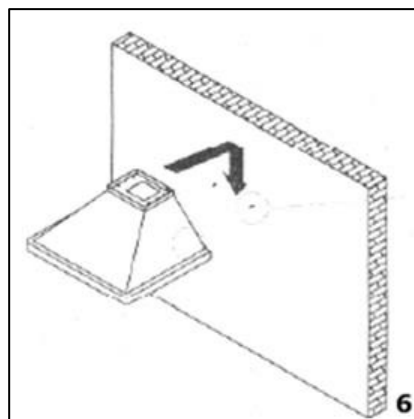
3. Vrtákem o průměru 6 mm vyvrtejte ve zdi otvory v pozicích, které jste označili v kroku 2.



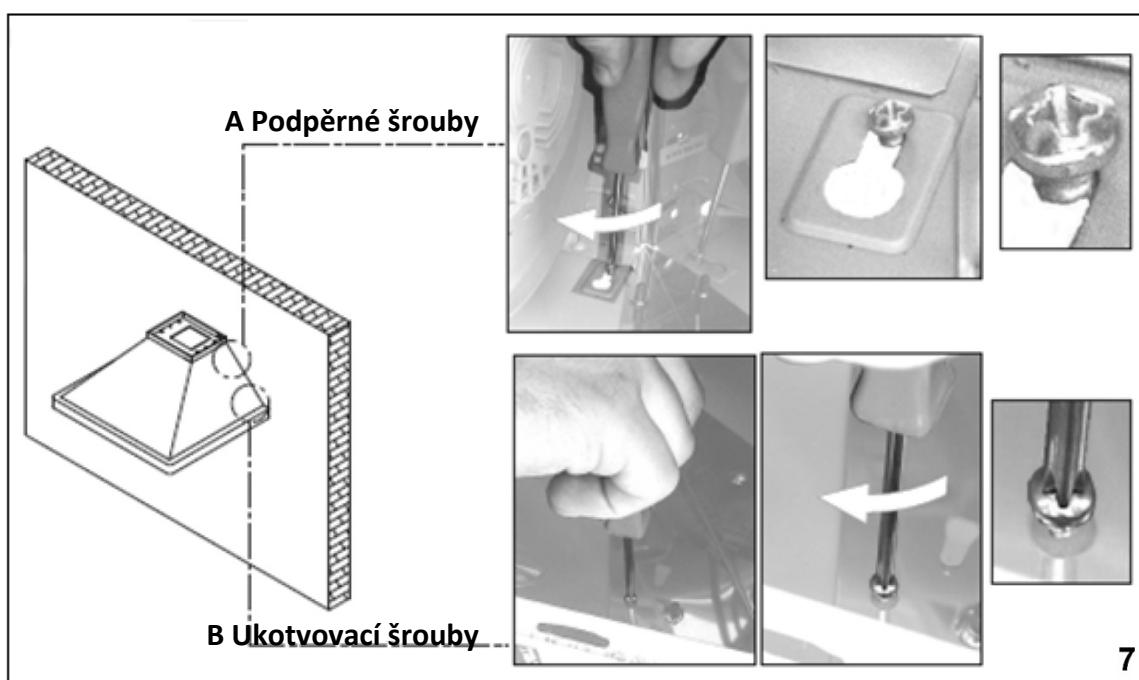
4. Do všech otvorů, které jste vyvrtali, zasuňte hmoždinky Rawl.
5. Podpěrné šrouby utáhněte napůl, přičemž je nechte 10 mm od stěny.



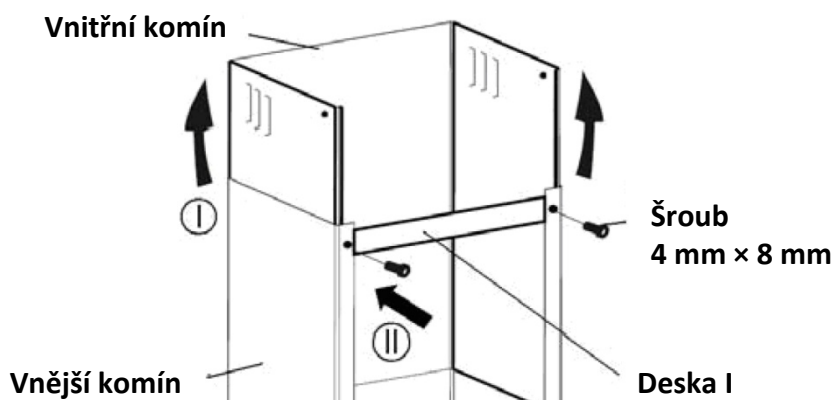
6. Pověste odsavač na podpěrné šrouby.



7. Úplně dotáhněte podpěrné šrouby (A) a potom našroubujte příslušnými otvory v odsavači par ukotvovací šrouby (B). Úplně dotáhněte ukotvovací šrouby do stěny.



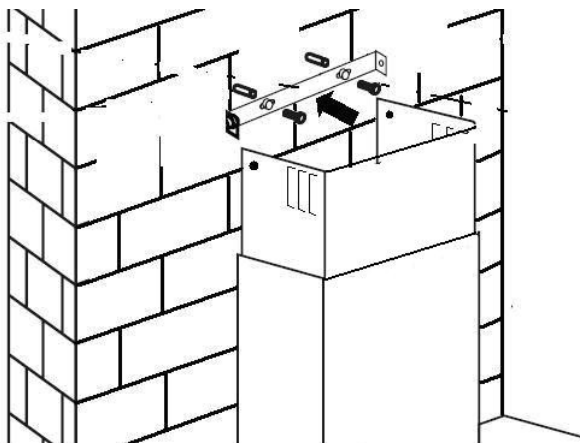
8. Desky I a II slouží k upevnění komínu na stěnu. Položte vnitřní komín na vnější komín. Potom vytáhněte vnitřní komín vzhůru. Nainstalujte desku I na komín pomocí dvou šroubů (4 mm x 8 mm).



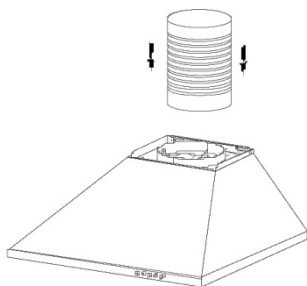
Umístěte komín na odsavač a určete umístění desky I a II.

Vyvrtejte otvory k umístění desky I a II.

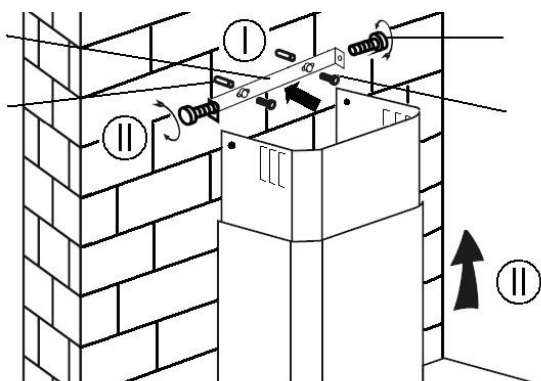
Přišroubujte desku II pomocí dvou šroubů (4 mm x 40 mm) a hmoždinek.



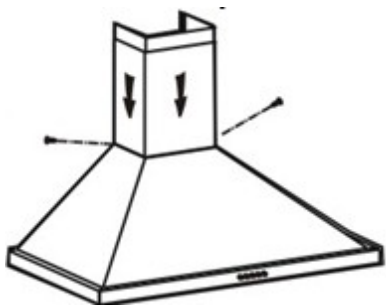
9. Vytáhněte komín z odsavače. Připojte odtahovou trubku na jednocestný ventil, jak je znázorněno níže.



10. Vložte komín zpět do odsavače. Před zvednutím komínu do požadované výšky upevněte desku I na zeď pomocí dvou šroubů (4 mm x 40 mm) a hmoždinek. Zvedněte komín do požadované výšky a pomocí 2 šroubů (4 mm x 8 mm) jej připevněte na desku II.



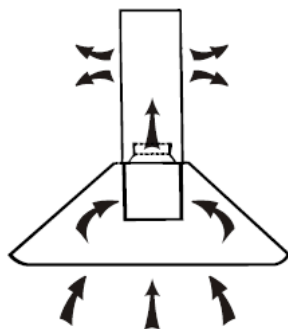
Pomocí 2 šroubů (4 x 8 mm) připevněte spodní komín na odsavač.



11. Před použitím si přečtěte všechny pokyny a ujistěte se, že jmenovitý výkon odsavače odpovídá jmenovitému výkonu napájení.

INSTALACE (VOLITELNĚ PRO VNITŘNÍ ODVĚTRÁNÍ)

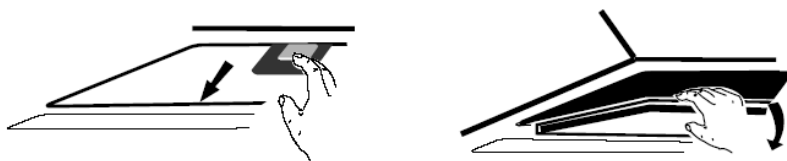
Pokud nemáte větrací otvor směrem ven, odtahová trubka není nutná a instalace vypadá jako na obrázku v části „INSTALACE (VENKOVNÍ ODVĚTRÁNÍ)“.



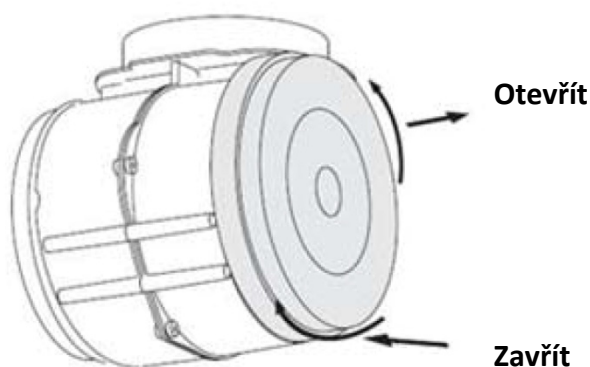
Uhlíkový filtr

K zachycení pachů lze použít aktivovaný uhlíkový filtr.

Aby bylo možné nainstalovat aktivovaný uhlíkový filtr, musí se nejprve odpojit tukový filtr. Stiskněte pojistku a stáhněte ho směrem dolů.



Vložte aktivovaný uhlíkový filtr do jednotky, upevněte ho otočením. Opakujte stejný postup na druhé straně.

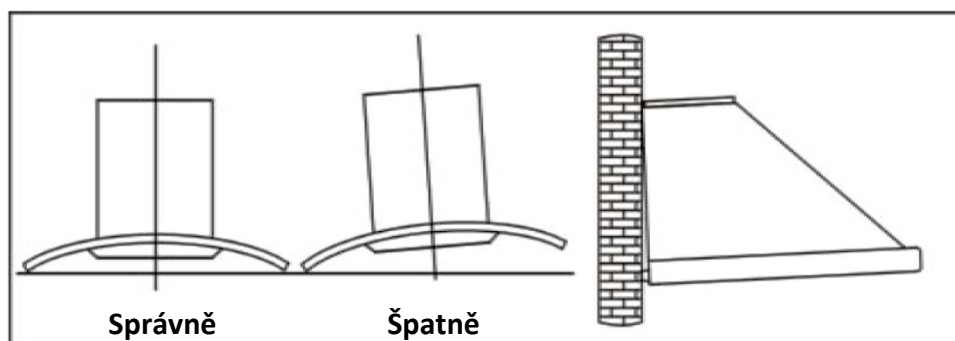


POZNÁMKA:

- Ujistěte se, že je filtr pevně zablokován. V opačném případě by se mohl uvolnit a způsobit poškození jednotky.
- Když je připevněn aktivovaný uhlíkový filtr, sací výkon se sníží.

4. UPOZORNĚNÍ K INSTALACI

- Z bezpečnostních důvodů používejte pouze stejnou velikost upevňovacího nebo montážního šroubu, která je doporučena v tomto návodu k obsluze.
- Varování: Pokud nepoužijete šrouby nebo upevňovací zařízení v souladu s těmito pokyny, může dojít k úrazu elektrickým proudem.
 1. Před instalací zajistěte, aby byla plocha čistá, a nedošlo tak k odsávání zbývajících kousků odštipnutého dřeva a prachu.
 2. Odsavač nemůže sdílet stejnou větrací trubku s jiným spotřebičem, jako je plynová trubka, trubka ohřívače či trubka s horkým vzduchem.
 3. Ohyb větrací trubky by měl být 120°, rovnoběžně s výchozím bodem nebo nad ním a měl by být připojen k vnější stěně.
 4. Po dokončení instalace se ujistěte, že je odsavač ve vodorovné poloze, aby se zabránilo hromadění tuku na jednom konci.



5. BEZPEČNOSTNÍ VAROVÁNÍ

- ✧ Nenechávejte děti používat odsavač par.
- ✧ Odsavač par je určen pouze pro domácí použití, není vhodný pro grilování, pečení ani jiná komerční využití.
- ✧ Všechny instalační práce smí provádět pouze kvalifikovaný elektrikář nebo osoba s příslušným oprávněním.
- ✧ Odsavač par a síťový filtr se musí pravidelně čistit, aby správně fungovaly.
- ✧ Před čištěním se vždy ujistěte, že jste odsavač par vypnuli.
- ✧ Odsavač par čistěte podle návodu k obsluze a chraňte jej před nebezpečím spálení.

- ✧ Pro sušení odsavače par nepoužívejte v žádném případě oheň.
- ✧ Pokud dojde k poruše odsavače par, obraťte se prosím na servisní oddělení jmenované zástupcem pro servis.
- ✧ Když jsou v provozu odsavač par a plynová varná deska, udržujte v místnosti průvan.
- ✧ Neodtahujte plyn z odsavače par stejným ohřívaným kouřovodem, který slouží pro plyn z plynové varné desky a jiných kuchyňských spotřebičů.
- ✧ Před instalací a použitím si přečtěte všechny pokyny a ujistěte se, že napětí (V) a frekvence (Hz) uvedené na odsavači jsou přesně stejné jako napětí (V) a frekvence (Hz) ve vaší domácnosti.
- ✧ Abyste váš odsavač par využili co nejlépe, přečtěte si prosím před instalací a použitím návod k použití a tento návod uschovejte na bezpečném místě.
- ✧ Abyste mohli na odsavač par získat naši záruku, ujistěte se prosím, že můžete předložit záruční list a potvrzení o nákupu. V opačném případě nebude záruka poskytnuta.

6. PROVOZ

Tlačítko

Tlačítko vypnutí motoru 

Stisknutím tohoto tlačítka zastavíte motor.

Tlačítko nízké rychlosti 

Stisknutím tohoto tlačítka zapnete nízkou rychlost.

Tlačítko střední rychlosti 

Stisknutím tohoto tlačítka zapnete střední rychlost.

Tlačítko vysoké rychlosti 

Stisknutím tohoto tlačítka zapnete vysokou rychlost.

Tlačítko osvětlení 

Jedním stisknutím se rozsvítí obě osvětlovací lampy.

Opětovným stisknutím všechna světla vypnete.

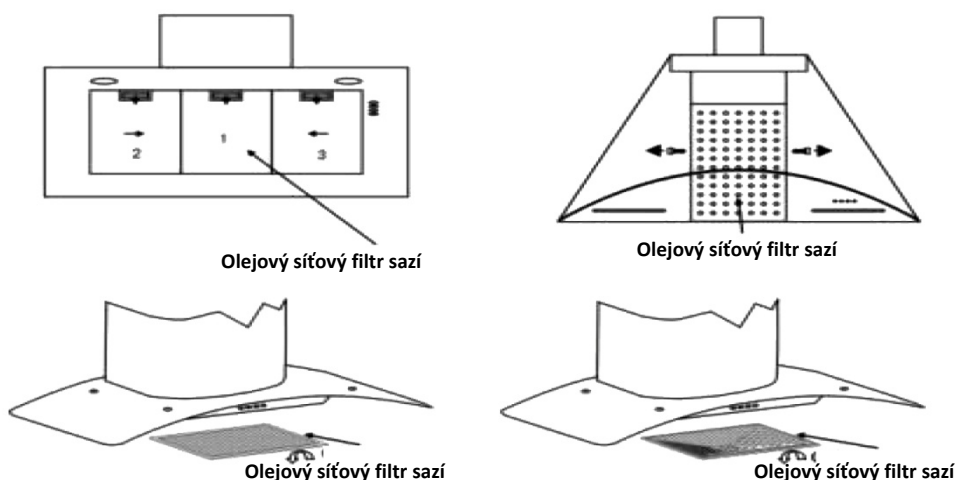
Kód ILCOS D pro lampu je: DBS-2.5/65-H-120/33

7. ÚDRŽBA

7.1 Čištění uhlíkového tukového síťového filtru

Odsavač par obsahuje tukový filtr, který pomáhá pohlcovat tukové částice a chrání tak vaši kuchyň a nábytek před zbytky mastnoty.

- Tento hliníkový filtr, pokud dojde k jeho nasycení zbytky mastnoty, může být hořlavý.
- Abyste tomuto nebezpečí požáru předešli, je třeba filtr pravidelně čistit.
- V závislosti na použití by se čištění mělo provádět každých 10 až 15 dní nebo alespoň jednou za měsíc, a to s použitím horké vody a běžného mycího prostředku.
- TUKOVÝ FILTR NEUMÝVEJTE V MYČCE NA NÁDOBÍ.
- Ponořte tukový filtr do horké vody a kapalného mycího prostředku po dobu nejméně 5 minut (nebo déle, pokud jsou nánosy mastnoty silné).
- Důkladně jej opláchněte horkou vodou. V případě potřeby postup opakujte.
- Po ÚPLNÉM vysušení nasadte tukový filtr zpět.



7.2 Upozornění ohledně čištění odsavače par

- A. Abyste hlavní tělo ochránili před korozí po dlouhou dobu, měl by být odsavač par čistěn horkou vodou a nekorozivním čisticím prostředkem každé dva měsíce.
- B. Nepoužívejte abrazivní čisticí prostředky, protože by se tělo odsavače mohlo poškodit.
- C. Motor a ostatní náhradní díly nesmí přijít do styku s vodou, protože by mohlo dojít k poškození spotřebiče.
- D. Před čištěním spotřebiče nezapomeňte vypnout napájení.
- E. Uhlíkový filtr by neměl být vystaven teple.
- F. Pevnou lištu kolem uhlíkového filtru neodtrávejte.
- G. Pokud je zástrčka nebo kabel poškozen, vyměňte jej za speciální měkký kabel.

8. OCHRANA ŽIVOTNÍHO PROSTŘEDÍ



Tento výrobek je označen symbolem pro selektivní třídění odpadních elektronických zařízení. To znamená, že tento výrobek nesmí být likvidován spolu s komunálním odpadem, ale musí být zlikvidován systémem tříděného sběru v souladu se směrnicí 2002/96/ES. Výrobek se pak musí recyklovat nebo demontovat tak, aby se minimalizoval dopad na životní prostředí. Elektrické a elektronické výrobky jsou potenciálně nebezpečné pro životní prostředí a lidské zdraví, protože obsahují nebezpečné látky.

Více informace získáte u svých místních nebo krajských úřadů.

Poznámka:

- a. Abyste snížili dopad procesu vaření (např. spotřebu energie) na životní prostředí, ujistěte se, že je váš výrobek instalován podle návodu k obsluze, místo provozu větrejte a odtahové vedení udržujte co možná nejpřímější a nejkratší.
- b. U výrobku s režimem manuálního provozu doporučujeme vypnout motor do 10 minut po dokončení procesu vaření.
- c. Ujistěte se, že při údržbě nedestruktivních částí demontujete související součásti podle návodu k obsluze, a chraňte díly tak, aby byla možná opakovaná instalace a nedošlo k jejich poškození.

CCT 685/2 X, CCT 685/2 W, CCT 685/2 N, CCT985/2 X, CCT 985/2 W, CCT 985/2 N

Používateľská príručka

OBSAH

1. Úvod	72
2. Bezpečnostné opatrenia	72
3. Inštalácia	76
4. Postup inštalácie	81
5. Bezpečnostné upozornenie	81
6. Prevádzka.....	82
7. Údržba	83
8. Ochrana životného prostredia	84

1. ÚVOD

Pozorne si prečítajte nasledujúce dôležité informácie ohľadom inštalácie, bezpečnosti a údržby. Uchovajte si tento informačný leták, môžete ho ešte v budúcnosti potrebovať.

Toto zariadenie bolo navrhnuté ako odsávacía verzia (externé odsávanie) alebo ako filtrová verzia (vnútorná recyklácia vzduchu) digestora.

2. BEZPEČNOSTNÉ OPATRENIA

Dôležité! Počas inštalácie a údržby, ako napr. výmeny žiarovky, vždy vypnite napájanie z elektrickej siete.

- Digestor musíte nainštalovať v súlade s pokynmi na inštaláciu a pri dodržaní všetkých meraní.
- Všetky inštalačné práce musí vykonať kompetentná osoba alebo spôsobilý elektrikár.
- Obalový materiál zlikvidujte starostlivým spôsobom. Môže spôsobiť deťom zranenie.
- Dávajte pozor na ostré hrany vnútri digestora, hlavne počas inštalácie a pri čistení.
- Ak je digestor umiestnený nad plynovým zariadením, minimálna vzdialenosť medzi nosným povrchom pre varné nádoby na platni a najnižšou časťou digestora musí byť:

Plynové sporáky:	75 cm
Elektrické sporáky:	65 cm
Pece na uhlie alebo olej:	75 cm
- Ubezpečte sa, že potrubné vedenie nemá kolená s uhlom ostrejším než 90 stupňov, pretože by došlo k zníženiu účinnosti digestora.
- Digestor je určený len na používanie v

domácnosti.

- Pri varení na plynovom sporáku hrnce a panvice vždy zakryte s vekom.
- Neskúšajte používať digestor bez filtrov na mastné látky alebo ak sú filtre nadmerne zamastené!
- V režime odsávanie dochádza k odsávaniu vzduchu z miestnosti digestorom. Ubezpečte sa, že sú dodržané správne opatrenia na vetranie. Digestor odvádza z miestnosti pachy, ale nie paru.
- Počas používania digestora súčasne so zariadeniami, ktoré spaľujú plyn alebo iné palivá, treba mať dostatočné vetranie miestnosti.
- Zariadenie neinštalujte nad vyvýšený gril.
- Panvice nenechávajte počas vyprážania bez dozoru, pretože prehriate tuky alebo oleje sa môžu vznietiť.
- Pod digestorom nikdy nenechávajte horieť nezakryté plamene.
- Poškodený digestor nepoužívajte.
- Ak došlo k poškodeniu prívodnej šnúry, musí ju vymeniť výrobca, jeho servisný zástupca alebo obdobne spôsobilá osoba, aby nedošlo k nebezpečenstvu.
- Toto zariadenie môžu používať deti staršie než 8 rokov a osoby so zníženými telesnými, vnímacími alebo duševnými schopnosťami alebo s nedostatkom skúseností a znalostí, len

ak majú dozor alebo dostali pokyny ohľadne používania zariadenia bezpečným spôsobom a ak chápu nebezpečenstvá s ním súvisiace. Deti sa nesmú hrať s prístrojom. Čistenie a užívateľskú údržbu nesmú vykonávať deti bez dozoru.

- Pozor: Prístroj a prístupné časti sa môžu počas prevádzky nahriať. Dajte si pozor, aby ste sa nedotkli vyhrievacích článkov. Deti mladšie než 8 rokov by sa pri prístroji nemali zdržiavať vôbec, ak nie sú pod neustálym dohľadom.
- Počas používania digestora súčasne so zariadeniami, ktoré spaľujú plyn alebo iné palivá, treba mať dostatočné vetranie miestnosti.
 - Ak sa čistenie nevykonáva v súlade s pokynmi, existuje riziko požiaru.
 - Pod digestorom nevlambujte.
 - POZOR: Prístupné časti sa pri používaní s prostriedkami na varenie môžu nahriať.
 - Vzduch sa nesmie odvádzať do komína, ktorý sa používa na odvádzanie výparov zo zariadení, ktoré spaľujú plyn alebo iné palivá.
 - Minimálna vzdialenosť medzi nosným povrchom pre varné nádoby na platni a najnižšou časťou digestora. (Ak je digestor umiestnený nad plynovým zariadením, vzdialenosť musí byť najmenej 65 cm).
 - Musíte dodržiavať predpisy o odvádzaní vzduchu.

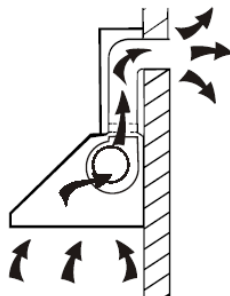
- Prístroj čistite pravidelne spôsobom opísaným v kapitole ÚDRŽBA.
- Z bezpečnostných dôvodov výlučne používajte tú istú veľkosť upevňovacej alebo montážnej skrutky, ktorá sa odporúča v tomto návode na používanie.
- Varovanie: Ak skrutky alebo upevňovacie zariadenia nenainštalujete podľa týchto pokynov, môže dôjsť k nebezpečenstvu spôsobenému elektrickým prúdom.
- Pokyny o spôsobe upevnenia pevného spotrebiča a to, ako sa má spotrebič upevniť k podpere, si pozrite v časti „**INŠTALÁCIA A UPEVNENIE**“.
- Pokyny o výmene žiarovky si pozrite v časti „**Výmena žiarovky**“.

ILCOS D kód lampy je: DBS-2.5/65-H-120/33

3. INŠTALÁCIA

INŠTALÁCIA (EXTERNÉ VETRANIE)

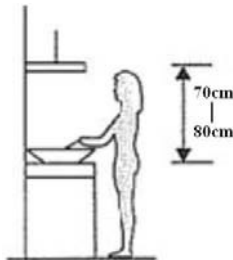
Ak máte urobený vývod vonku, digestor môžete pripojiť, ako je zobrazené na obrázku dole s pomocou odsávacieho potrubia (smalt, hliník, ohybná rúra alebo nehorľavý materiál s vnútorným priemerom 150 mm).



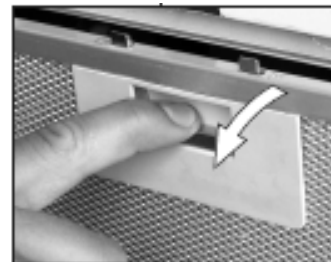
Prístroj pred inštaláciou vypnite a odpojte od siete.



Digestor treba na dosiahnutie najlepšieho účinku umiestniť 70~80 cm nad varnú dosku.

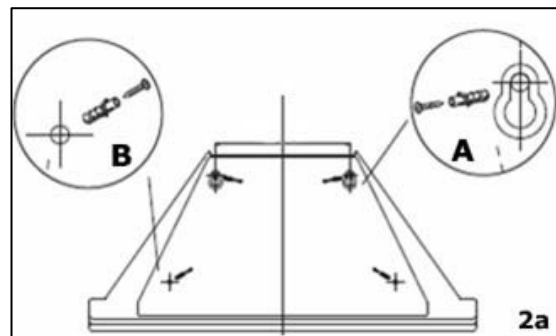
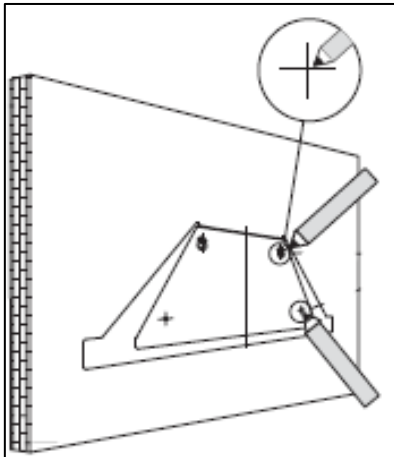


1. Vyberte kovové filtre proti mastnote.

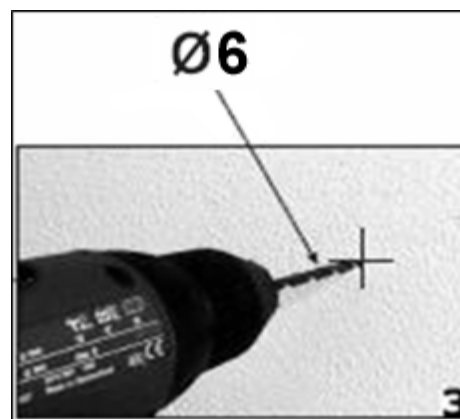


2. Umiestnite digestor proti stene, na ktorú ho chcete nainštalovať, a označte polohu oporných otvorov, ktoré chcete vyvŕtať (ako je znázornené na nižšie uvedenom obrázku).

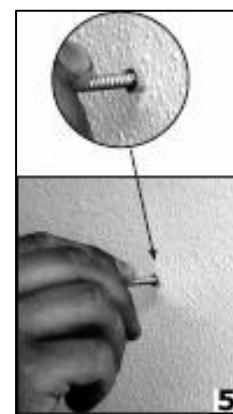
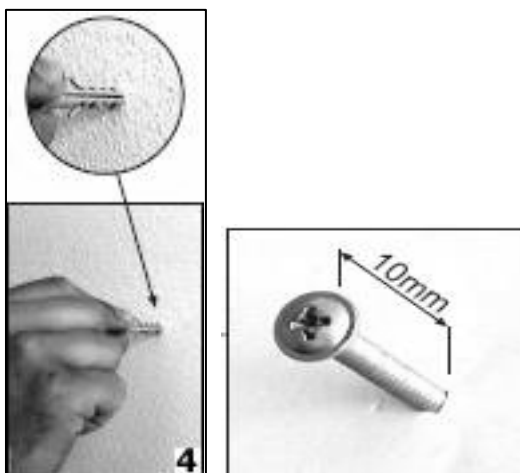
- 2a. Otvory na oporné skrutky sú označené na obrázku **A** tohto nákresu a otvory na kotviace skrutky sú označené na obrázku **B**.



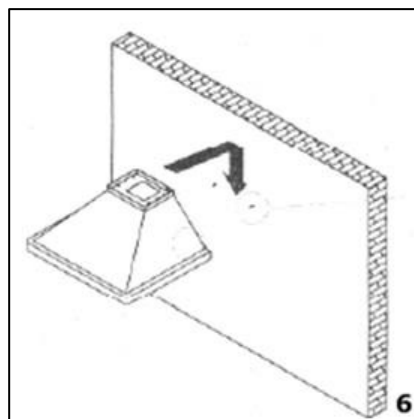
3. Pomocou vrtáka s priemerom 6 mm vyvrtajte do steny otvory v polohe, ktorú ste si naznačili v 2. kroku.



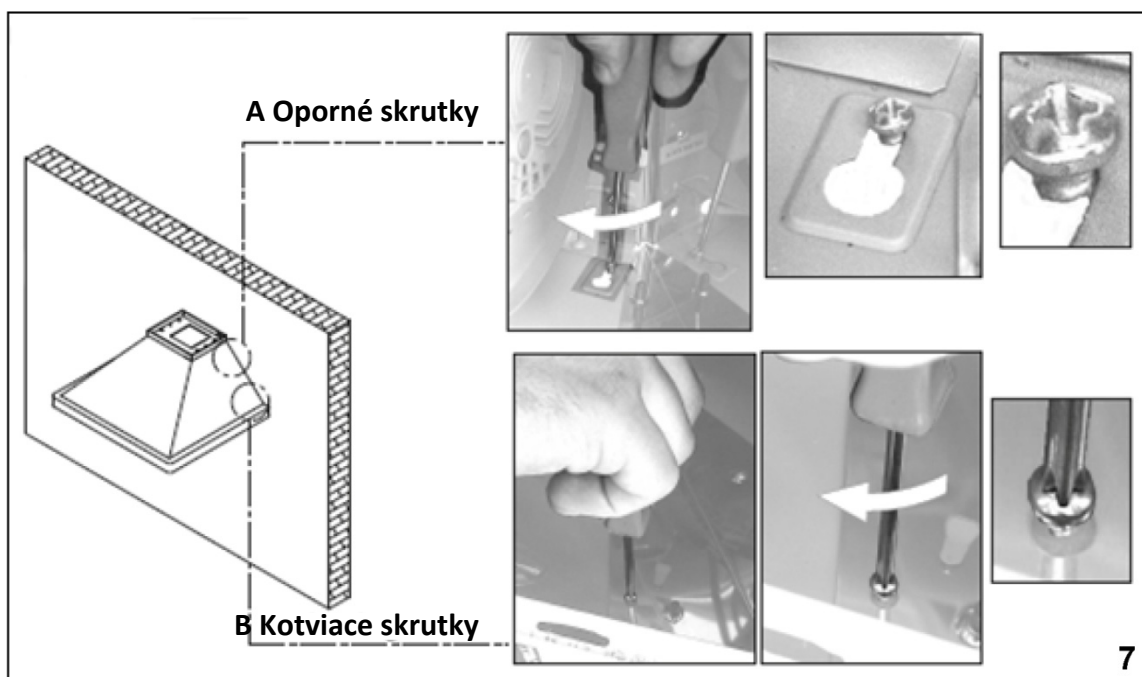
4. Do otvorov, ktoré ste vyvrtali, vložte hmoždinky.
 5. Uťahnite oporné skrutky do polovice tak, že necháte 10 mm trčať von zo steny.



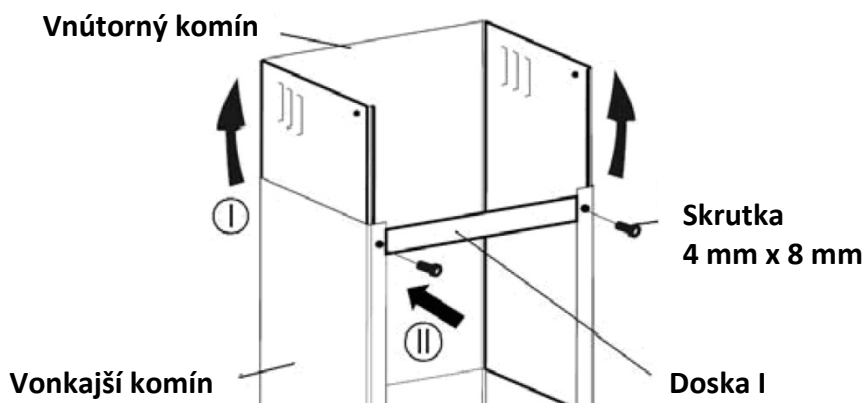
6. Zaveste digestor na oporné skrutky.



7. Oporné skrutky úplne utiahnite (**A**), a potom zaskrutkujte kotviace skrutky (**B**) cez príslušné otvory v digestore. Úplne utiahnite kotviace skrutky do steny.



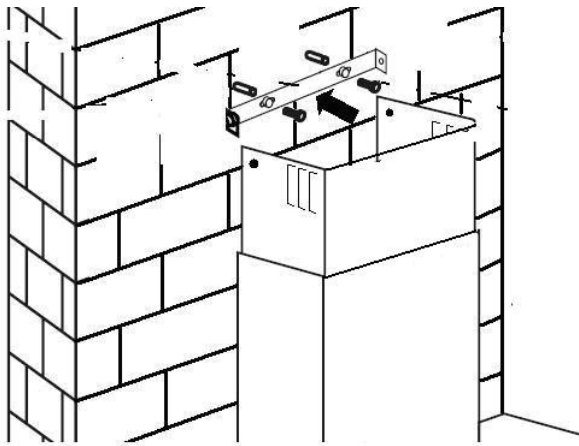
8. Dosky I a II sa používajú na uchytenie komína k stene. Vnútrotný komín položte na vonkajší. Vnútrotný komín potom vytiahnite dohora. Na komín nainštalujte dosku I s pomocou 2 skrutiek (4 mm x 8 mm).



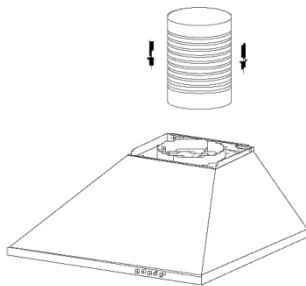
Komín položte na digestor a určite polohu dosiek I a II.

Vyvrtajte otvory pre dosky I a II.

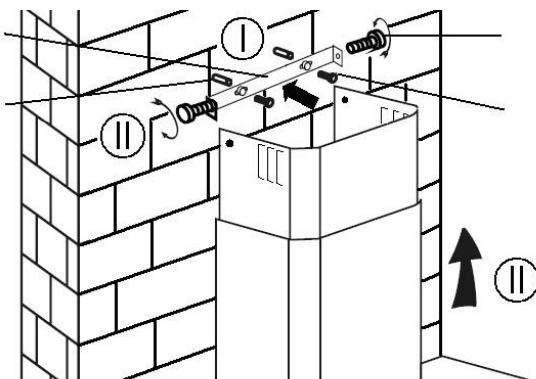
Dosku II uchyťte na stenu pomocou 2 skrutiek (4 mm x 40 mm) a hmoždínok.



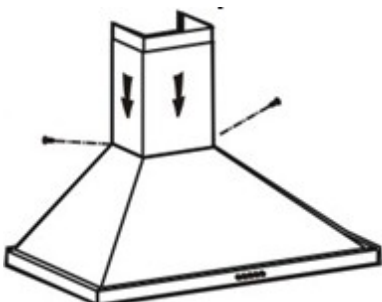
9. Komín vytiahnite z digestora. Odsávacie potrubie pripevnite na jednocestný ventil podľa nižšie uvedeného obrázka.



10. Komín položte späť na digestor. Pred nadvihnutím komína do požadovanej výšky uchyťte dosku I na stenu pomocou 2 skrutiek (4 mm x 40 mm) a hmoždiniek. Komín nadvihnite do požadovanej výšky a upevnite ho na dosku II s 2 skrutkami (4 mm x 8 mm).



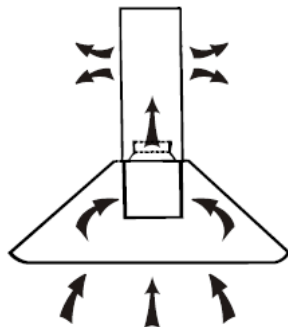
Spodný komín upevnite na digestor s použitím 2 skrutiek (4 mm x 8 mm).



11. Pred použitím si prečítajte všetky pokyny a ubezpečte sa, či sa menovitý výkon digestora zhoduje s menovitým výkonom napájania.

INŠTALÁCIA (VOLITEĽNÁ V PRÍPADE VETRANIA DO INTERIÉRU)

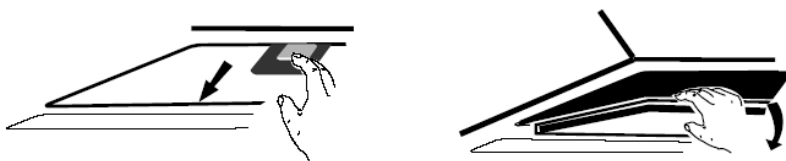
Ak nemáte vývod vonku, odsávacie potrubie nie je potrebné a inštalácia je podobná ako v časti „INŠTALÁCIA (EXTERNÉ VETRANIE)“.



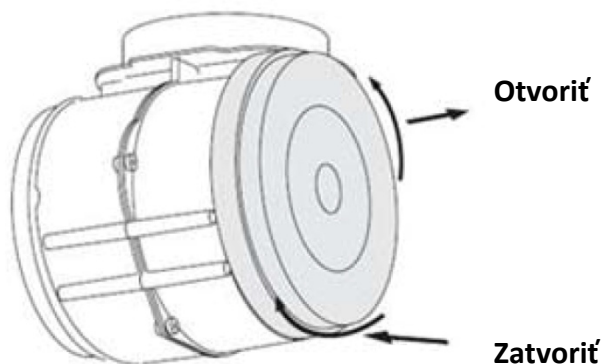
Filter s aktívnym uhlím

Filter s aktívnym uhlím sa dá používať na zachytávanie pachov.

Na inštaláciu filtra s aktívnym uhlím treba najprv odobrať kovový filter proti masťnote. Zatláčte zámok a potiahnite ho nadol.



Filter s aktívnym uhlím vložte do jednotky a upevnite ho otočením. Ten istý postup zopakujte na opačnej strane.

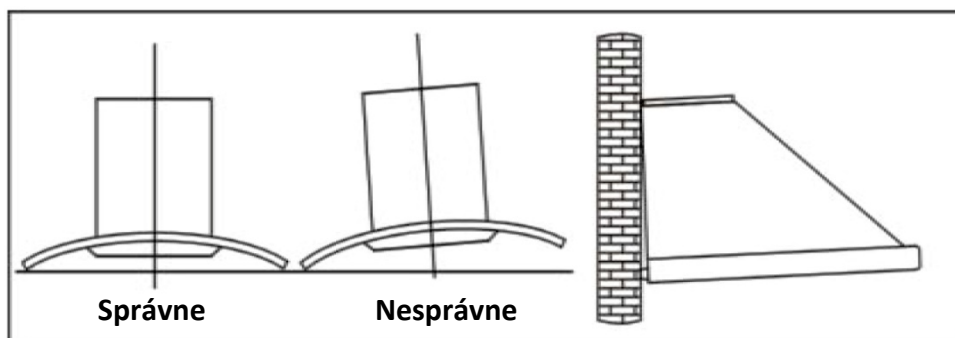


POZNÁMKA:

- Presvedčte sa, že je filter bezpečne zaistený. Ináč by sa mohol uvoľniť a spôsobiť poškodenie jednotky.
- Po pripojení filtra s aktívnym uhlím sa zníži sací výkon.

4. POSTUP INŠTALÁCIE

- Z bezpečnostných dôvodov výlučne používajte tú istú veľkosť upevňovacej alebo montážnej skrutky, ktorá sa odporúča v tomto návode na používanie.
- Varovanie: Ak skrutky alebo upevňovacie zariadenia nenainštalujete podľa týchto pokynov, môže dôjsť k nebezpečenstvu spôsobenému elektrickým prúdom.
 1. Pred inštaláciou sa uistite, či je priestor čistý, aby ste sa vyhli nasatiu zostávajúcich častí prachu či úlomkov dreva.
 2. Nie je možné, aby digestor používal tú istú vetráciu trubicu spolu s iným spotrebičom, ako je napríklad plynové potrubie, ohrevné potrubie či potrubie sušiča.
 3. Ventilačná trubica by sa mala ohýbať pod 120° uhlom rovnobežne so začiatočným bodom alebo nad ním a mala by byť pripojená k vonkajšej stene.
 4. Po inštalácii skontrolujte, či je odsávač v rovine, aby sa mastnota nezberala len na jednom konci.



5. BEZPEČNOSTNÉ UPOZORNENIE

- ✧ Deťom digestor používať nedovoľte.
- ✧ Tento digestor je určený len na domáce použitie, nie je vhodný na grilovanie, opekanie či iné komerčné využitie.
- ✧ Všetky inštalačné práce musí vykonať spôsobilý elektrikár alebo kompetentná osoba.
- ✧ Digestor aj filtračnú sieť treba pravidelne čistiť, aby boli v dobrom funkčnom stave.
- ✧ Pred čistením vždy skontrolujte, či ste digestor vyplí.

- ✧ Vyčistite digestor podľa návodu na použitie a dávajte pozor, aby nebol vystavený nebezpečenstvu ohňa.
- ✧ Na sušenie digestora nepoužívajte oheň.
- ✧ Ak má digestor nejakú poruchu, kontaktujte servisné oddelenie, ktoré určil servisný zástupca.
- ✧ Počas prevádzky digestora a plynovej varnej dosky miestnosť vetrajte.
- ✧ Neodvádzajte plyn z digestora tou istou vyhrievanou komínovou rúrou, ktorá je určená na plynovú varnú dosku a iné kuchynské spotrebiče.
- ✧ Pred inštaláciou a použitím si prečítajte všetky pokyny a uistite sa, že je napätie (V) aj frekvencia (Hz) uvedená na digestore taká istá ako napätie (V) a frekvencia (Hz) vo vašej domácnosti.
- ✧ Z dôvodu optimálneho použitia digestora si pred inštaláciou a použitím prečítajte návod na použitie a ponechajte si ho na bezpečnom mieste.
- ✧ Aby ste si mohli na digestor uplatniť záruku, budete musieť poskytnúť záručný list aj doklad o kúpe, inak záruka nebude platná.

6. PREVÁDZKA

Stlačte tlačidlo

Tlačidlo vypnutia motora 

Toto tlačidlo stlačte, ak chcete zastaviť prevádzku motora.

Tlačidlo pomalých otáčok 

Toto tlačidlo stlačte, ak chcete prevádzku pri nízkych otáčkach.

Tlačidlo stredných otáčok 

Toto tlačidlo stlačte, ak chcete prevádzku pri stredných otáčkach.

Tlačidlo vysokých otáčok 

Toto tlačidlo stlačte, ak chcete prevádzku pri vysokých otáčkach.

Tlačidlo svetla 

Po jednom stlačení sa zažnú obe svetlá. Po ďalšom stlačení sa vypnú.

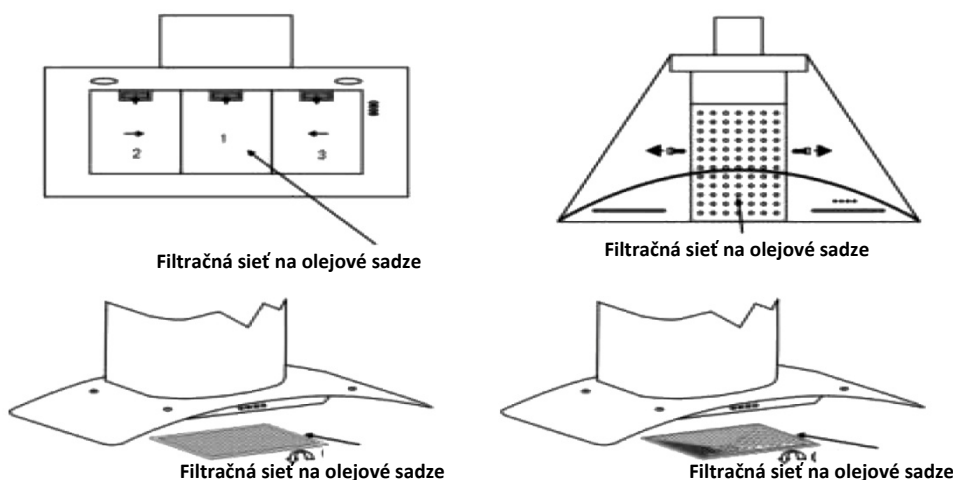
ILCOS D kód lampy je: DBS-2.5/65-H-120/33

7. ÚDRŽBA

7.1 Čistenie uhlíkovej filtračnej mriežky na zachytávanie mastnoty

Digestor zahŕňa filter proti mastnote, ktorý napomáha pohlcovať mastné čiastočky a chráni kuchyňu aj nábytok od nánosov mastných zvyškov.

- Ak sa hliníkový filter nasýti týmito mastnými zvyškami, môže vzplanúť.
- Z dôvodu prevencie nebezpečenstva požiaru by sa mal filter pravidelne čistiť.
- V závislosti od používania by to malo byť každých 10 – 15 dní alebo najmenej raz mesačne pomocou horúcej vody a bežného čistiaceho prostriedku.
- FILTER PROTI MASTNOTE NEČISTITE V UMÝVAČKE RIADU.
- Namočte filter proti mastnote do horúcej vody a čistite ho prostriedkom aspoň 5 minút (alebo aj dlhšie, ak je mastnoty príliš veľa).
- Prepláchnite ho horúcou vodou. Tento postup v prípade potreby zopakujte.
- Po ÚPLNOM vysušení filter proti mastnote vložte späť.



7.2 Návod na čistenie digestora

- A. Aby po čase nezačal korpus hrdzavieť, mali by ste každé dva mesiace digestor umývať horúcou vodou a nekorozívnym čistiacim prostriedkom.
- B. Abrázívne čistiace prostriedky nepoužívajte, pretože by poškodili korpus.
- C. Motor aj ostatné náhradné diely uchovávajte ďaleko od vody, pretože by došlo k poškodeniu spotrebiča.
- D. Pred čistením spotrebiča nezabúdajte odpojiť napájanie.
- E. Uhlíkový filter by sa nemal vystavovať teplu.
- F. Neotvárajte pevnú lištu okolo uhlíkového filtra.
- G. Ak je poškodená zástrčka alebo kábel, nahradte ho špeciálnym mäkkým káblom.

8. OCHRANA ŽIVOTNÉHO PROSTREDIA



Tento výrobok je označený symbolom o selektívnom triedení odpadu z elektrických zariadení. To znamená, že tento výrobok sa nesmie likvidovať spolu s domácim odpadom, ale musí sa dostať do systému selektívneho zberu v súlade so smernicou 2002/96/ES. Potom sa zrecykluje alebo rozoberie v záujme minimalizovania dopadov na životné prostredie, elektrické a elektronické výrobky sú potenciálne nebezpečné pre životné prostredie a ľudské zdravie z dôvodu prítomnosti nebezpečných látok.

Ak potrebujete viac informácií, spojte sa s miestnym alebo regionálnym úradom.

Poznámka:

- a. Za účelom zníženia dopadu na životné prostredie počas varenia (napr. spotrebou energie) skontrolujte, či je výrobok nainštalovaný podľa používateľskej príručky, dobre vetrajte miesto používania, majte priame a čo najkratšie vedenie odsávania.
- b. V prípade výrobku s manuálnym režimom prevádzky navrhujeme, aby ste do 10 minút po ukončení varenia vypli motor.
- c. Dohliadnite, aby boli príslušné súčasti rozmontované podľa používateľskej príručky za účelom šetrnej údržby, a dávajte na súčasti pozor, aby bola opätovná inštalácia šetrná a aby ste sa vyhli poškodeniu.

CCT 685/2 X, CCT 685/2 W, CCT 685/2 N, CCT985/2 X, CCT 985/2 W, CCT 985/2 N

Korisnički priručnik

SADRŽAJ

1. Uvod	86
2. Sigurnosne mjere opreza.....	86
3. Ugradnja	90
4. Obavijesti o ugradnji.....	95
5. Sigurnosna upozorenja.....	95
6. Rad.....	96
7. Održavanje	97
8. Zaštita okoliša	98

1. UVOD

Pažljivo pročitajte važne informacije o ugradnji, sigurnosti i održavanju koje slijede. Čuvajte ovu informativnu knjižicu kako bi bila dostupna za buduće potrebe.

Uređaj je projektiran kao kuhinjska napa u odvodnoj verziji (vanjski odvod) ili u verziji s filtrom (recikliranje unutarnjeg zraka).

2. SIGURNOSNE MJERE OPREZA

Važno! Uvijek isključite električno napajanje na električnoj mreži prilikom ugradnje i održavanja, kao npr. prilikom zamjene žarulje.

- Kuhinjsku napu treba ugraditi u skladu s uputama za ugradnju i svim mjerama.
- Samo stručna osoba ili kvalificirani električar mogu obaviti ugradnju.
- Molimo pažljivo zbrinite materijal za pakiranje. On može biti opasan za djecu.
- Pazite na oštre rubove u unutrašnjosti kuhinjske nape, osobito tijekom ugradnje i čišćenja.
- Kada se kuhinjska napa nalazi iznad plinskog uređaja, najmanja udaljenost između potporne površine za posude za kuhanje na površini za kuhanje i najnižeg dijela kuhinjske nape mora biti:

Plinska kuhala:	75 cm
Električna kuhala	65 cm
Kuhala na ugljen ili ulje:	75 cm
- Pazite da lukovi vodova nisu oštiji od 90 stupnjeva budući da se tako smanjuje učinkovitost kuhinjske nape.

- Kuhinjska je napa predviđena samo za uporabu u kućanstvu.
- Kad kuhate na plinskom kuhalu, uvijek stavite poklopac na lonce i tave.
- Ne pokušavajte rabiti kuhinjsku napu bez filtera za masnoću ili ako su se filteri pretjerano zamastili.
- Kada je u modu za isis, zrak u prostoriji uklanja kuhinjska napa. Pobrinite se za pridržavanje prikladnih propisa provjetravanja. Kuhinjska napa uklanja neugodne mirise u prostoriji, ali ne i paru.
- Ako se kuhinjska napa rabi istovremeno s uređajima na plin ili druga goriva, obavezno je prikladno provjetriti prostoriju.
- Nemojte ugrađivati kuhinjsku napu iznad kuhala s povišenom rešetkom.
- Tijekom uporabe tava za pečenje, ne ostavljajte ih bez nadzora jer se pregrijane masti ili ulja mogu zapaliti.
- Nikad ne ostavljajte otvoreni plamen ispod kuhinjske nape.
- Ne pokušavajte upotrijebiti kuhinjsku napu ako je oštećena.
- Ako je oštećen kabel za napajanje, radi izbjegavanja opasnosti moraju ga zamijeniti proizvođač, ovlašteni agent ili osobe sličnih kvalifikacija.

- Ovaj uređaj smiju rabiti djeca starosti 8 i više godina te osobe smanjenih fizičkih, osjetilnih ili mentalnih sposobnosti ili bez iskustva i znanja ako su pod nadzorom ili ako su dobili upute o uporabi uređaja na siguran način i ako razumiju opasnosti koje uključuje uporaba uređaja. Djeca se ne smiju igrati s uređajem. Djeca bez nadzora ne smiju čistiti uređaj niti obavljati radnje održavanja.
- Oprez: Uređaj i njegovi dostupni dijelovi mogu se zagrijati tijekom rada. Pazite da ne dodirujete dijelove koji su vrući. Djeca mlađa od 8 godina trebaju se držati podalje osim ako su pod stalnim nadzorom.
- Ako se kuhinjska napa rabi istovremeno s uređajima na plin ili druga goriva, obavezno je prikladno provjetriti prostoriju.
 - Ako se čišćenje ne obavlja u skladu s uputama, postoji rizik od požara.
 - Nemojte flambirati ispod kuhinjske nape.
 - OPREZ: Dostupni dijelovi mogu se zagrijati kad se rabe s uređajima za kuhanje.
 - Zrak se ne smije ispuštati u dimovod koji se rabi za ispušne plinove iz uređaja na plin ili druga goriva.
 - Najmanja udaljenost između potporne površine za posude za kuhanje na površini za kuhanje i najnižeg dijela kuhinjske nape. (Ako se kuhinjska napa nalazi iznad plinskog uređaja, udaljenost mora biti najmanje 65 cm)

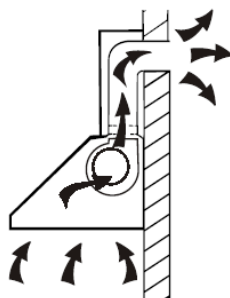
- Treba se pridržavati propisa o ispuštanju zraka.
- Periodično očistite uređaj slijedeći metodu opisanu u poglavlju ODRŽAVANJE.
- Iz sigurnosnih razloga molimo rabite samo pričvrsne ili montažne vijke iste veličine koja se preporučuje u ovom priručniku s uputama.
- Upozorenje: Ako ne ugradite vijke ili uređaj za pričvršćivanje u skladu s ovim uputama, može doći do opasnosti sa strujom
- Upute o pričvršćivanju uređaja i o tome kako ga pričvrstiti na njegov potporni element, pogledajte u odjeljku „**UGRADNJA I PRIČVRŠĆIVANJE**”.
- Upute o zamjeni žarulje pogledajte u odjeljku „**zamjena žarulje**”.

Šifra ILCOS D za žarulju je: DBS-2.5/65-H-120/33

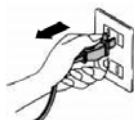
3. UGRADNJA

UGRADNJA (VANJSKI ODUŠNIK)

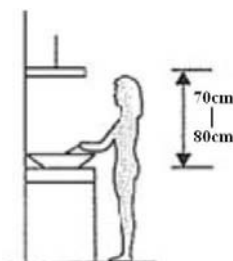
Ako postoji izlaz prema vani, kuhinjsku napu možete spojiti kao na donjoj slici pomoću isisnog voda (emajlirana, aluminijska, savitljiva cijev ili vatrootporan materijal unutarnjeg promjera 150 mm)



Prije ugradnje, isključite uređaj i izvucite utikač iz utičnice.



Kuhinjsku napu treba postaviti na udaljenost od 70 ~ 80 cm iznad površine za kuhanje da bi najuspješnije radila.

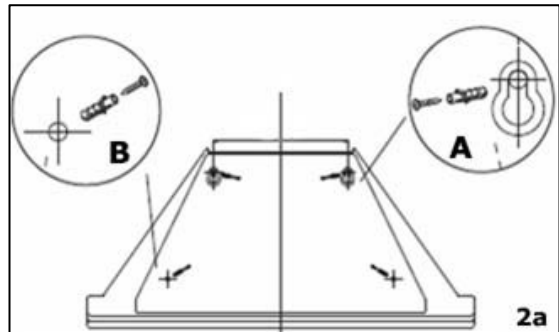
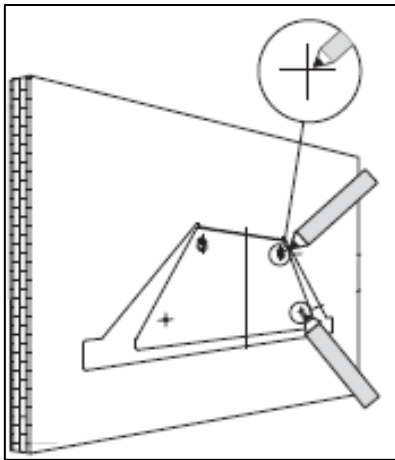


1. Skinite metalne filtre za masnoću.

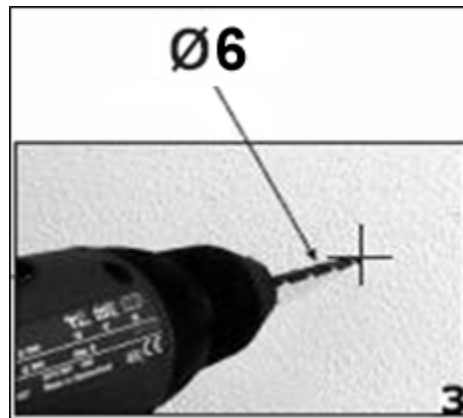


2. Namjestite napu na zidu na kojem je želite ugraditi pa označite položaj potpornih rupa koje treba probušiti (kao što se vidi na slici dolje).

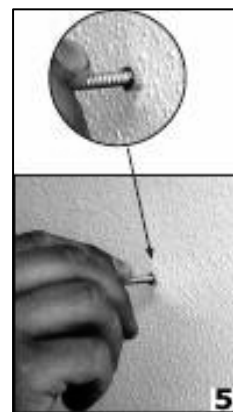
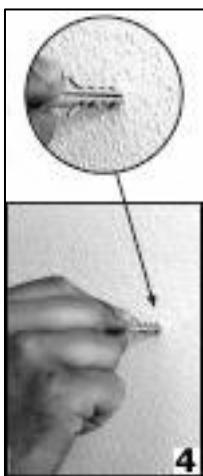
- 2a. Rupe za potporne vijke označava slika **A** na ovom crtežu, a rupe za vijke za sidrenje označava slika **B**.



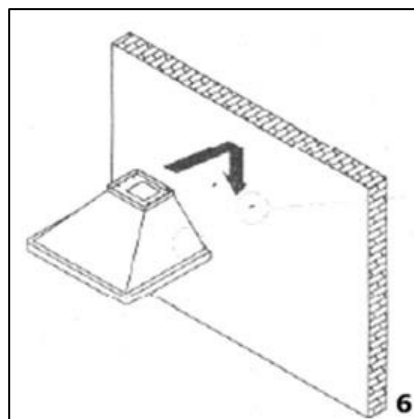
3. Svrdlom promjera 6 mm napravite rupe u zidu na položajima koje ste označili u koraku 2.



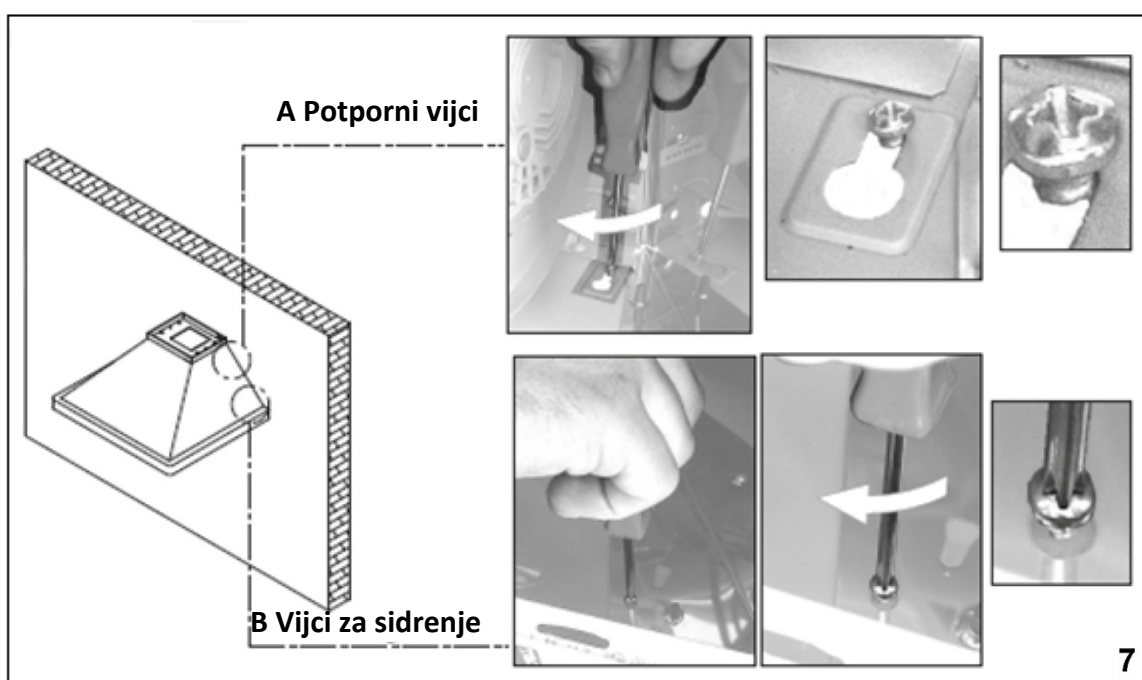
4. Uvucite sidrene čahure u rupe koje ste probušili.
5. Navijte potporne vijke do pola unutra, tj. neka 10 mm bude izvan zida.



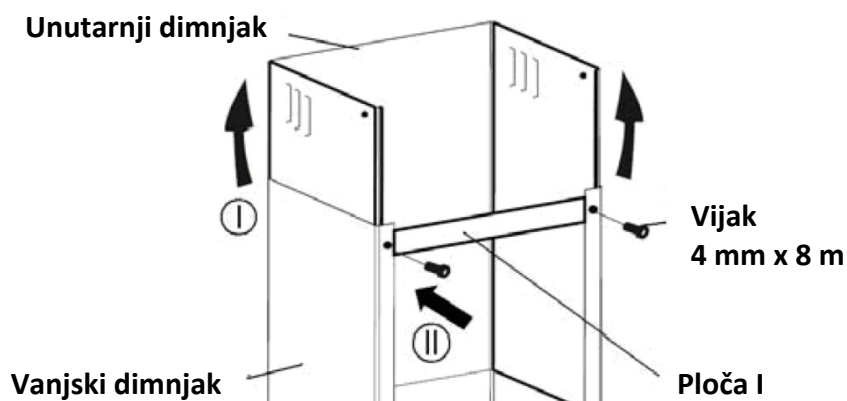
6. Objesite napu na potporne vijke.



7. Potpuno zategnite potporne vijke (A), zatim navijte vijke za sidrenje (B) kroz odgovarajuće rupe u kuhinjskoj napi. Potpuno zategnite vijke za sidrenje u zidu.



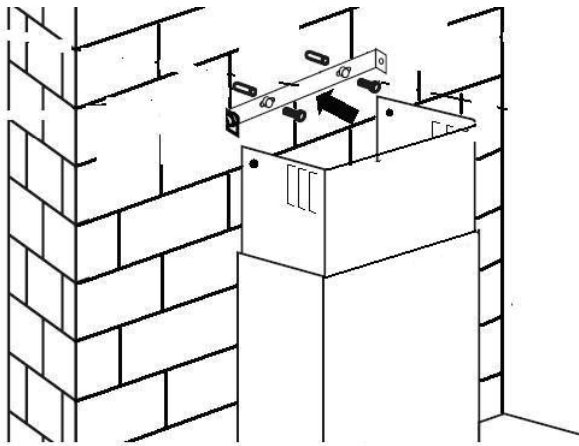
- 8 Ploča I i II rabe se za pričvršćivanje dimnjaka na zid. Stavite unutarnji dimnjak na vanjski dimnjak. Zatim povucite unutarnji dimnjak prema gore. Ugradite ploču I na dimnjak pomoću dva vijka (4 mm x 8 mm).



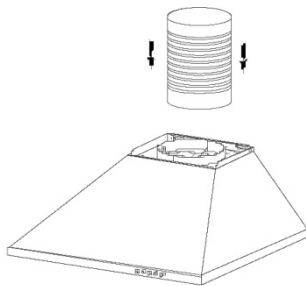
Stavite dimnjak na kuhinjsku napu i odredite položaj ploče I i II.

Izbušite rupe za ploču I i II.

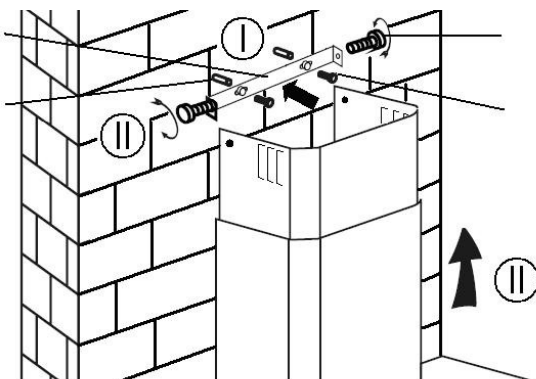
Pričvrstite ploču II na zid pomoću dva vijka (4 mm x 40 mm) i zidnih utikača.



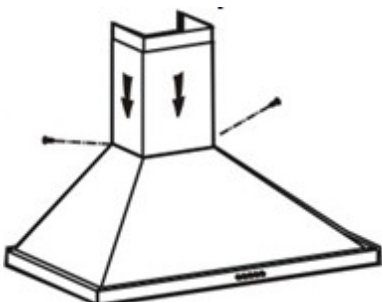
9. Izvucite dimnjak iz kuhinjske nape. Pričvrstite ispušnu cijev na jednosmjerni ventil kako se dolje vidi.



10. Vratite dimnjak na kuhinjsku napu. Prije nego podignete dimnjak na željenu visinu, pričvrstite ploču I na zid pomoću dva vijka (4 mm x 40 mm) i zidnih utikača. Podignite dimnjak na željenu visinu i pričvrstite ga na ploču II pomoću 2 vijka (4 mm x 8 mm)



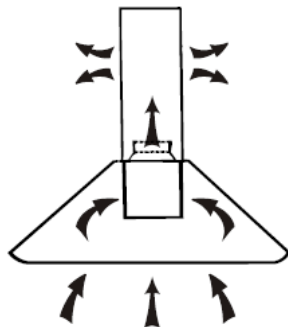
Pričvrstite donji dimnjak na kuhinjsku napu pomoću dva vijka (4 x 8 mm).



11. Prije uporabe, pročitajte sve upute i pazite da se nazivna snaga kuhinjske nape podudara s nazivnom snagom dovoda.

UGRADNJA (NEOBAVEZNO ZA UNUTARNJI ODUŠNIK)

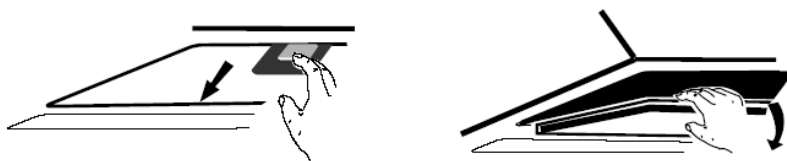
Ako nemate izlaz prema van, nije potrebna ispušna cijev i ugradnja je slična onoj prikazanoj u odjeljku „UGRADNJA (VANJSKI ODUŠNIK)“



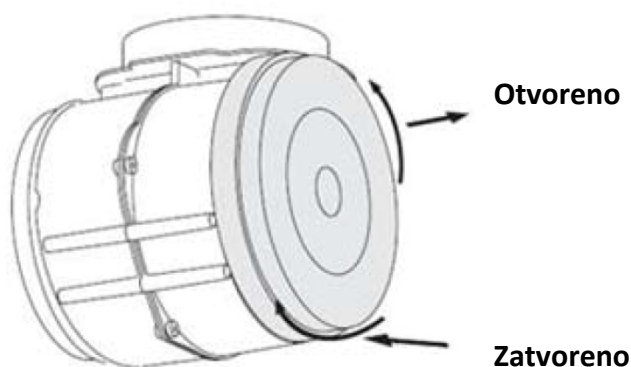
Filtar s umetkom od ugljena

Filtar s umetkom od aktivnog ugljena može se rabiti za zadržavanje neugodnih mirisa.

Da biste ugradili filtara s umetkom od aktivnog ugljena, prvo trebate odvojiti metalni filtara za odmašćivanje. Pritisnite zapinjač i povucite ga prema dolje.



Stavite filtara s umetkom od aktivnog ugljena u uređaj. Okrenite ga i tako ga pričvrstite. Ponovite isto s druge strane.

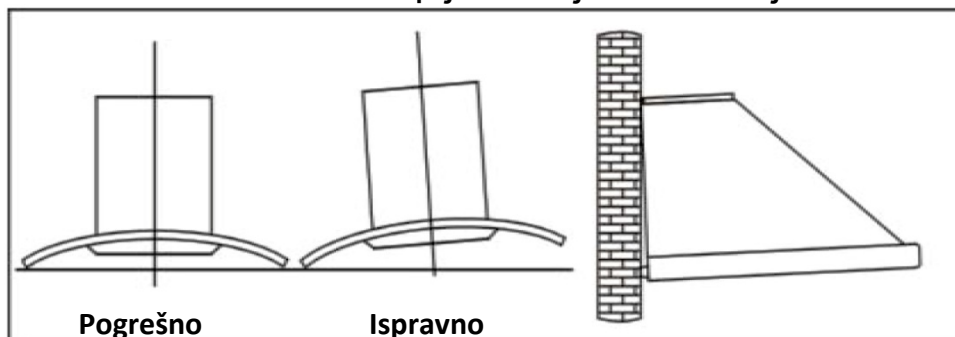


NAPOMENA:

- Pazite da je filtara sigurno zakočen. U suprotnom, mogao bi popustiti i prouzročiti štetu na uređaju.
- Kad je pričvršćen filtara s umetkom od aktivnog ugljena, snižava se snaga usisa.

4. OBAVIJESTI O UGRADNJI

- Iz sigurnosnih razloga molimo rabite samo pričvrrsne ili montažne vijke iste veličine koja se preporučuje u ovom priručniku s uputama.
 - Upozorenje: Ako ne ugradite vijke ili uređaj za pričvršćivanje u skladu s ovim uputama, može doći do opasnosti sa strujom
1. Prije ugradnje uvjerite se da je područje čisto, kako biste izbjegli usisavanje preostalih komadića drva i prašine.
 2. Ovaj uređaj ne može dijeliti cijev za ventilaciju zraka s drugim uređajima npr. kao plinsku cijev, cijev za grijanje i cijev za topli zrak.
 3. Ventilacijska cijev treba biti savijena 120°, paralelno ili iznad početne točke, i treba biti spojena na vanjski zid.
 4. Nakon ugradnje uvjerite se da kuhinjska napa stoji ravno, kako se masnoća ne bi nakupljala na jednom kraju.



5. SIGURNOSNA UPOZORENJA

- ✧ Ne dopuštajte djeci da rabe kuhinjsku napu.
- ✧ Vaša kuhinjska napa namijenjena je samo kućnoj uporabi, nije prikladna za roštilje, pečenjarnice i druge komercijalne svrhe.
- ✧ Bilo kakav rad na ugradnji moraju obaviti kvalificirani električar ili stručna osoba.
- ✧ Da bi bili u dobrom radnom stanju, kuhinjsku napu i njezinu mrežu za filtriranje treba redovito čistiti.
- ✧ Prije čišćenja uvijek se uvjerite da ste kuhinjsku napu isključili.
- ✧ Kuhinjsku napu čistite prema priručniku s uputama i zaštitite je od opasnosti da se zapali.
- ✧ Za sušenje kuhinjske nape ne smijete rabiti nikakvu vatru.
- ✧ Ako postoji bilo kakav kvar na kuhinjskoj napi, pozovite servisni odjel koji vam je zastupnik odredio za servisiranje.
- ✧ Pazite da u prostoriji bude propuh dok kuhinjska napa i ploča za kuhanje rade.

- ✧ Plin iz kuhinjske nape ne smije se odvoditi kroz isti dimnjak kroz koji se odvodi plin ploče za kuhanje i drugih kuhinjskih uređaja.
- ✧ Prije ugradnje i uporabe pročitajte sve upute i uvjerite se da su napon (V) i frekvencija (Hz) koji se navode na vašoj kuhinjskoj napi isti kao i napon (V) i frekvencija (Hz) u vašem domu.
- ✧ Kako biste najbolje iskoristili svoju kuhinjsku napu, prije ugradnje i uporabe pročitajte priručnik s uputama i držite ga na sigurnom mjestu.
- ✧ Uvjerite se da za svoju kuhinjsku napu možete dobiti jamstvo: molimo pribavite jamstveni list i potvrdu o kupnji ili nećete dobiti jamstvo.

6. RAD

Tipka

Isključite gumb za motor 

Pritisnite taj gumb da biste zaustavili rad motora.

Gumb za malu brzinu 

Pritisnite ovaj gumb za rad pri maloj brzini.

Gumb za srednju brzinu 

Pritisnite ovaj gumb za rad pri srednjoj brzini.

Gumb za veliku brzinu 

Pritisnite ovaj gumb za rad pri velikoj brzini.

Gumb za svjetlo 

Pritisnite jednom: zasvijetlit će dvije žarulje za osvjetljenje.

Pritisnite opet i svo svjetlo će se ugasi.

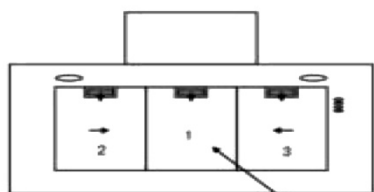
Šifra ILCOS D za žarulju je: DBS-2.5/65-H-120/33

7. ODRŽAVANJE

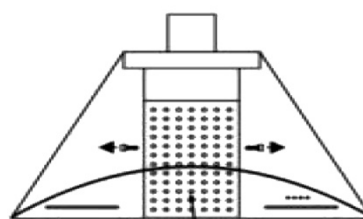
7.1 Čišćenje mreže filtra s umetkom od ugljena za masnoću

Kuhinjska napa uključuje filtar za masnoću koji pomaže u apsorpiranju čestica masnoće radi zaštite vaše kuhinje i namještaja od ostataka masnoće.

- Taj aluminijski filtar može postati zapaljiv ako se zasiti ostacima masnoće.
- Kako biste spriječili opasnost od požara, filtar morate redovito čistiti.
- Ovisno o uporabi, to treba činiti svakih 10-15 dana ili najmanje jednom mjesečno, vrućom vodom i običnim sredstvom za pranje.
- **FILTAR ZA MASNOĆU NEMOJTE PRATI U PERILICI POSUĐA.**
- Ostavite filtar za masnoću da se moči u vrućoj vodi i tekućini za pranje najmanje 5 minuta (ili dulje ako se radi o većim naslagama masnoće).
- Temeljito ga isperite vrućom vodom. Ponovite postupak ako treba.
- Ponovno namjestite filtar za masnoću kad se **POTPUNO** osuši.



Mreža za filtriranje čađe od ulja



Mreža za filtriranje čađe od ulja



Mreža za filtriranje čađe od ulja



Mreža za filtriranje čađe od ulja

7.2 Obavijesti o čišćenju kuhinjske nape

- A. Kako biste glavno tijelo dulje vrijeme zaštili od hrđanja, kuhinjsku napu trebate svaka dva mjeseca očistiti vrućom vodom i sredstvom za čišćenje koje ne izaziva hrđanje.
- B. Molimo nemojte rabiti abrazivna sredstva za čišćenje, jer će se tako tijelo oštetiti.
- C. Pazite da voda ne doprije u motor i ostale dijelove, jer će to prouzročiti oštećenje uređaja.
- D. Prije čišćenja uređaja ne zaboravite iskopčati napajanje.
- E. Filtar s umetkom od ugljena ne smije se izlagati toplini.
- F. Molimo nemojte trgati šipku pričvršćenu oko filtra s umetkom od ugljena
- G. Ako se utikač ili kabel oštete, molimo zamijenite ga posebnim kabelom.

8. ZAŠTITA OKOLIŠA



Ovaj je proizvod označen simbolom odvojenog sakupljanja otpadne elektroničke opreme. To znači da se ovaj proizvod ne smije odlagati s kućanskim otpadom, nego prema sustavu odvojenog prikupljanja u skladu s Direktivom 2002/96/EZ.

Zatim se reciklira ili rastavlja da bi se utjecaje na okoliš svelo na najmanju moguću mjeru; električni i elektronički proizvodi potencijalno su opasni za okoliš i ljudsko zdravlje zbog prisustva opasnih tvari.

Za više informacija, obratite se svojim lokalnim ili regionalnim tijelima.

Napomena:

- a. kako bi se smanjio utjecaj postupka kuhanja (npr. uporaba energije) na okoliš, uvjerite se da je vaš proizvod ugrađen u skladu s korisničkim priručnikom, pazite da se mjesto rada ventilira, pazite da isisni vod bude što je moguće izravniji i kraći.
- b. Kad proizvod radi u ručnom režimu savjetujemo da motor isključite u roku od 10 minuta nakon završetka kuhanja.
- c. Prilikom održavanja radi očuvanja, uvjerite se da spojene komponente rastavite prema korisničkom priručniku: zaštitite dijelove kako biste olakšali ponovno sastavljanje i izbjegli oštećivanje.