



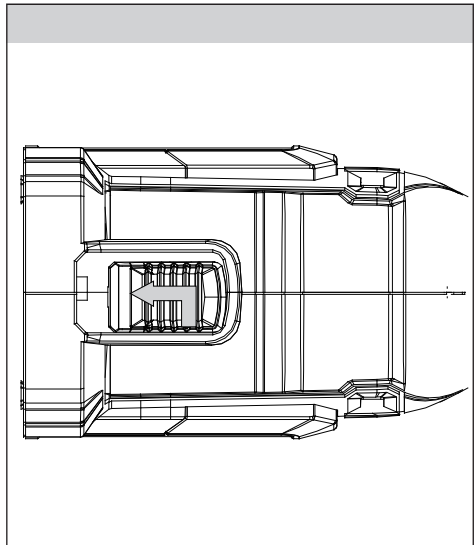
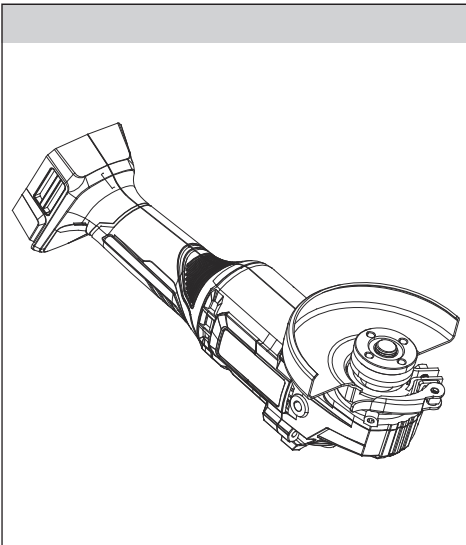
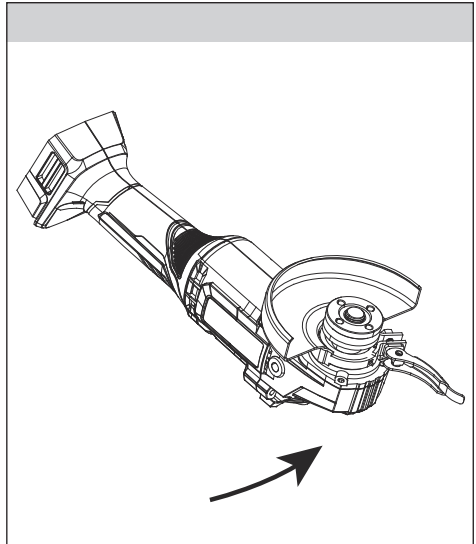
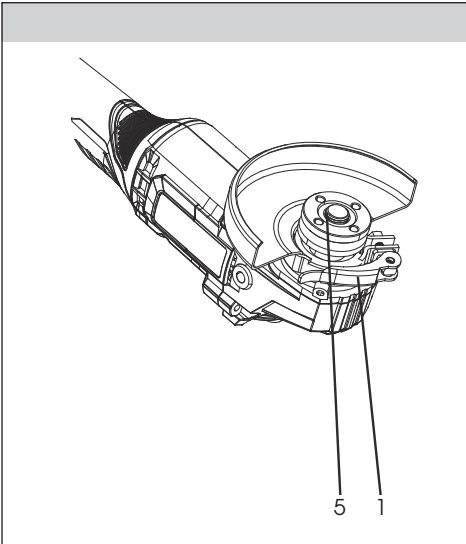
**20V** Li-Ion  
**FASTPOWER**

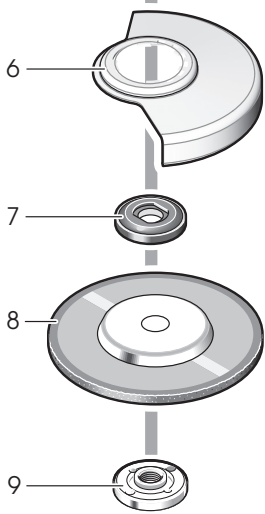
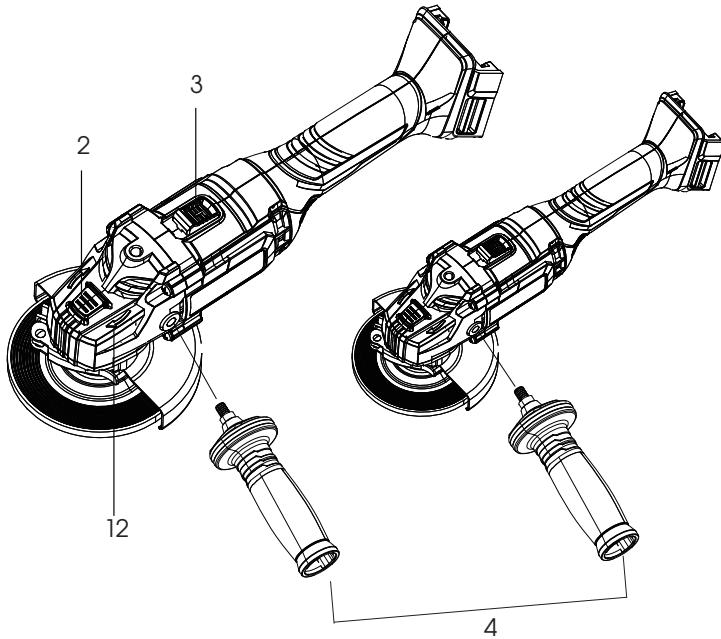


FDUB 70605-0

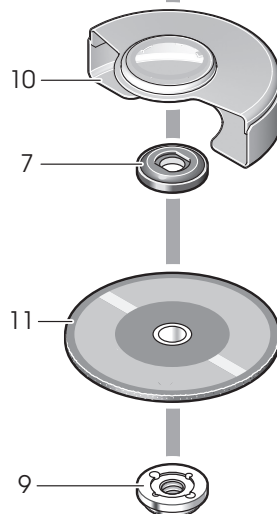
---

English .....	5-18
Čeština.....	19-32
Slovenčina .....	33-46
Magyarul .....	47-60
Polski .....	61-74





Grinding function  
(included)



Cutting function  
(item 10+11 must  
be purchased  
separately)

# Angle grinder **20V** FASTPOWER

## USER'S MANUAL

**Thank you for purchasing cordless Angle grinder FIELDMANN. Before you start using it, please carefully read this user's manual and save it for possible future use.**

## TABLE OF CONTENTS




1. GENERAL SAFETY INSTRUCTIONS .....	6
2. SPECIFIC SAFETY INSTRUCTIONS.....	6
3. WORKING WITH ANGLE GRINDER.....	12
4. SYMBOLS.....	12
5. PRODUCT DESCRIPTION AND SPECIFICATIONS.....	13
6. TECHNICAL DATA .....	14
7. MAINTENANCE AND SERVICE.....	15
8. DISPOSAL.....	17
9. DECLARATION OF CONFORMITY.....	18

# 1. GENERAL SAFETY INSTRUCTIONS

## **WARNING!**

Carefully read the instruction manual before use.

### **Important safety warnings**


-  Unpack the product carefully and be sure not to throw away any part of the package before having found all components of the product.
-  Keep the product in a dry place out of reach of children.
-  Read all cautions and instructions. The failure to adhere to warning cautions and instructions may result in an accident, fire and/or a serious injury.

### **Packaging**

The product is placed in a package preventing damage during transport. This package is a raw material therefore it can be handed-over for recycling.

### **Instructions for use**


Before beginning to work with the machine, read the following safety rules and instructions for use. Familiarize with operating elements and the proper use of the device. Keep the manual in a safe place for future reference. We recommend keeping the original package including the inner packaging materials, cash voucher and guarantee card for a period of warranty at minimum. For a case of transportation, pack the machine into the original box from the manufacturer, thus ensuring a maximum protection of the product during a possible transport (e.g. moving or sending into a service station).

 **Note:** If you hand the machine over to next persons, hand it over together with the manual. Adherence to the attached instructions for use is a precondition for the proper use of the machine. The operation manual includes also instructions for operation, maintenance and repairs.


**The manufacturer does not take any responsibility for accidents or damages resulting from the failure to adhere to this manual.**

# 2. SPECIFIC SAFETY INSTRUCTIONS

**Please read these safety instructions carefully, remember them and keep them in a safe place**

 **WARNING!** When using electric machinery and power tools, it is important to abide by and adhere to the following safety instructions for reasons of protection against injury caused by electric current, injury of persons and risk of starting fires. The term "power tools" used in the instructions below refers to power tools that are plugged into a power supply (by a power cord) as well as tools running on a battery pack (cordless). Keep all warnings and instructions for further use.

### **Work environment**

-  Keep the work area clean and well lit. Untidiness and dark places on the job site are usually causes of accidents. Store tools that are not used.

- ✿ Do not use power tools in an environment where there is risk of starting a fire or explosion; this refers to places where there are flammable liquids, gases or dust. Sparks form on the power tool's commutator, which can cause dust or fume ignition.
- ✿ When using power tools, unauthorized persons, especially children, should be denied entry to the job site! In case you are interrupted, you can lose control of the current activity. In any case, do not leave the power tool without supervision. Prevent animals from approaching the equipment.

### Electrical safety

- ✿ The power tool's power plug must correspond to the power outlet. Never alter the plug in any way. If the tool's plug has a safety peg, never use an adapter of any kind. Undamaged plugs and corresponding outlets prevent the risk of injury by electric current. If the power cord is damaged, it must be replaced by a new power cord that can be obtained from an authorized service centre or the importer.
- ✿ Avoid bodily contact with grounded items, e.g. piping, radiators, kitchen ranges and refrigerators. The risk of injury by electric current is greater if your body is connected to the ground.
- ✿ Do not expose power tools to rain, moisture or dampness. Never touch power tools with wet hands. Never wash power tools with running water and never submerge them into water.
- ✿ Do not use the power cord for any other purpose than originally intended. Never carry or pull the power tools by the power cord. Do not pull the plug out of the outlet by pulling on the cord. Avoid mechanical damage to the power cord by sharp or hot objects.
- ✿ Power tools were manufactured exclusively for the AC power supply. Always check if the electrical voltage corresponds to the data printed on the tool's serial number label.
- ✿ Never work with a tool that has a damaged power cord or plug, or that has fallen on the ground and is damaged in any way.
- ✿ In the case of using an extension cord, always check that its technical parameters correspond to the data printed on the tool's serial number label.
- ✿ If the power tool is used outdoors, use an extension cord that is appropriate for exterior use. When using an extension cable drum, the cord must be unwound to prevent the cord from overheating. If the power tool is used in moist areas or outdoors, it is permitted to use it only if it is plugged into an electric circuit with a residual current device  $\leq 30$  mA. Using a circuit with an RCD lowers the risk of injury by electric current.
- ✿ Grasp hand power tools at the designated isolated grip areas because, during operation, one may come into contact with the cutting or drilling fittings with a hidden conductor or with the power cord.

### Personal safety

- ✿ When using a power tool, be careful and alert, pay special attention to the activity you are doing. Concentrate on your work. Do not work with power tools if you are tired or if you are under the influence of drugs, alcohol or medication. When using power tools, even a momentary lapse in attentiveness can lead to severe personal injury. Do not eat, drink or smoke while working with power tools.
- ✿ Use protective gear. Always use eye protection. Use protective gear corresponding to the type of work you are doing. Protective gear such as respirators, safety shoes with antiskid treatment, head protection or ear protection, used in accordance with working conditions, lower the risk of personal injury.
- ✿ Avoid unintentional operation of tools. Do not carry tools that are plugged into the electric grid with your finger on the switch or release trigger.
- ✿ Before connecting the tool to a power supply, make sure that the switch or release trigger are in the "off" position. Carrying tools with your finger on the switch or plugging the tool into an outlet with the switch in the "on" position can cause serious injury. Before turning tools on, remove all adjustment wrenches and tools.

The adjustment wrench or tool that stays connected to the rotating part of the power tool can cause personal injury.

- ✿ Always stand firmly and keep your balance. Work only in places that you can reach safely. Never overestimate your own strength. Do not use power tools if you are tired.
- ✿ Dress appropriately. Use working clothes. Do not wear loose clothing or jewellery. Make sure that your hair, clothing, gloves or other body parts do not come overly close to rotating or heated parts of the power tool.
- ✿ Connect the equipment to the dust exhaust. If the tool offers the possibility to connect equipment for capturing dust or dust suction, make sure that it is properly connected and used. Using this equipment can reduce danger resulting from dust.
- ✿ Firmly fasten the workpiece. Use a carpenter's clamp or vice to secure the piece you will be cutting.
- ✿ Do not use power tools if you are under the influence of alcohol, drugs, medication or other narcotics or addictive substances.
- ✿ This equipment is not intended to be used by persons with limited physical, sensory or mental abilities (including children) or persons with insufficient experience and knowledge, unless they are supervised or received instructions to use the equipment from a person responsible for his/her safety. Children must be supervised in order to ensure that they are not playing with the equipment.

### Using cordless tools

- ✿ Before inserting the battery, make sure that the switch is in the "O-off" position. Inserting the battery into a running tool can cause dangerous situations.
- ✿ To charge the battery, only use chargers that are specified by the manufacturer. Using a charger for a different kind of battery can cause damage to the battery and result in fire.
- ✿ Only use batteries that are designated for the given tool. Using other batteries can cause injury or result in fire.
- ✿ If the battery is not used, store it away from metal objects such as clamps, wrenches, screws and other small metal objects that could cause the connection of one battery contact with the other. Short-circuiting the battery can cause injury, burns or fire.
- ✿ Handle batteries with care. In the case of improper care, chemical substances can leak from the battery. Avoid coming into contact with this substance and if you do come into contact with it, rinse the affected area under running water. If the chemical substance comes into contact with the eye, immediately seek out medical attention. The chemical substance from the battery can cause serious injury.

### Service

- ✿ Do not change parts of the tool, do not perform repairs on your own and do not interfere with the tool's construction in any way. Leave tool repairs to qualified persons.
- ✿ Each repair or product modification performed without our company's permission is inadmissible (it can cause injury or harm to the user).
- ✿ Always leave tools to be repaired in a certified service centre. Use only original or recommended spare parts. This will ensure your and your tool's safety.

### Kickback and related warnings

- ✿ Kickback is a sudden reaction to a pinched or snagged rotating wheel, backing pad, brush or any other accessory. Pinching or snagging causes rapid stalling of the rotating accessory which in turn causes the uncontrolled power tool to be forced in the direction opposite of the accessory's rotation at the point of the binding.



For example, if an abrasive wheel is snagged or pinched by the workpiece, the edge of the wheel that is entering into the pinch point can dig into the surface of the material causing the wheel to climb out or kick out. The wheel may either jump toward or away from the operator, depending on direction of the wheel's movement at the point of pinching. Abrasive wheels may also break under these conditions.

Kickback is the result of power tool misuse and/or incorrect operating procedures or conditions and can be avoided by taking proper precautions as given below.

- ✿ Maintain a firm grip on the power tool and position your body and arm to allow you to resist kickback forces. Always use auxiliary handle, if provided, for maximum control over kickback or torque reaction during start-up. The operator can control torque reactions or kickback forces, if proper precautions are taken.
- ✿ Never place your hand near the rotating accessory. Accessory may kickback over your hand.
- ✿ Do not position your body in the area where power tool will move if kickback occurs. Kickback will propel the tool in direction opposite to the wheel's movement at the point of snagging.
- ✿ Use special care when working corners, sharp edges, etc. Avoid bouncing and snagging the accessory. Corners, sharp edges or bouncing have a tendency to snag the rotating accessory and cause loss of control or kickback.
- ✿ Do not attach a saw chain woodcarving blade or toothed saw blade. Such blades create frequent kickback and loss of control.

**⚠ WARNING!** Before use, please read these safety instructions and keep them in a safe place.

- ✿ Upon failure to follow the instructions specified in this manual, there is a risk of injury.
- ✿ Angle grinder conforms to applicable technical regulations and standards.
- ✿ Do not use other accessories except for grinding, cutting and diamond discs.
- ✿ Never use the tools without the safety screen.
- ✿ Always use eye protection (protective goggles or safety shield) and hearing protection.
- ✿ Do not use any cutting and grinding discs for side grinding.
- ✿ Make sure to keep the vents free of any obstacles during dusty work.
- ✿ During wall cutting check that there are no electric lines in the walls (using metal detector).
- ✿ Never water-cool grinding disc.
- ✿ Do not touch the edge after machining, it may be hot.
- ✿ Never attach the grinding machine to the work bench.
- ✿ Make sure that the rotational speed specified on the grinding disc is higher than or equals the rotational speed of the angle grinder specified in the type label.
- ✿ Do not cut any material that requires a cut with maximum depth exceeding the depth of the grinding disc.
- ✿ Do not cut and grind light metals with higher magnesium content than 80% as such metals are flammable.
- ✿ Make sure that the grinding disc has the right dimensions and is correctly mounted on the spindle.
- ✿ Handle the grinding discs very carefully and in accordance with instructions supplied with the grinding disc.
- ✿ Inspect the grinding disc before each use.
- ✿ Do not use grinding discs that are cracked or otherwise damaged.
- ✿ Make sure that the grinding disc is mounted according to instructions.
- ✿ After mounting the grinding disc, let the grinder run at idle speed in a safe place. If the grinder shows strong vibrations or if the grinding disc shows visible damage, immediately turn off the grinder and try to identify the cause.
- ✿ Do not use any reducers or other auxiliary ports for mounting grinding discs intended for different spindle diameter.
- ✿ Make sure that the material is adequately supported or fixed. Never use grinding disc to remove burrs.

- ✿ Make sure to prevent the sparks from hitting a person or igniting inflammable goods.
- ✿ Do not network with the grinder if someone is standing in the line of the grinding disc. Make sure to clean up the working area around you.
- ✿ Press the locking knob of the disc (3) only after the engine and spindle of the grinder have completely stopped!
- ✿ Remember that the grinding disc will continue to rotate for a while after switching off the grinder due to inertia.
- ✿ Always use the auxiliary handle supplied with the tool. Loss of control over the electric tools could cause injury.

**⚠ WARNING!** Use means of protection against noise, dust and vibrations !!!

**⚠ WARNING!** Keep these safety instructions !!!

## Safety warnings specific for Grinding and Abrasive

### Cutting-Off operations

- ✿ Use only wheel types that are recommended for your power tool and the specific guard designed for the selected wheel. Wheels for which the power tool was not designed cannot be adequately guarded and are unsafe.
- ✿ The grinding surface of the centre depressed wheels must be mounted below the plane of the guard lip. An improperly mounted wheel that projects through the plane of the guard lip cannot be adequately protected.
- ✿ The guard must be securely attached to the power tool and positioned for maximum safety, so the least amount of wheel is exposed towards the operator. The guard helps to protect operator from broken wheel fragments, accidental contact with wheel and sparks that could ignite clothing.
- ✿ Wheels must be used only for recommended applications. For example: do not grind with the side of the cut-off wheel. Abrasive cut-off wheels are intended for peripheral grinding; side forces applied to these wheels may cause them to shatter.
- ✿ Always use undamaged wheel flanges that are of correct size and shape for your selected wheel. Proper wheel flanges support the wheel thus reducing the possibility of wheel breakage. Flanges for cut-off wheels may be different from grinding wheel flanges.
- ✿ Do not use worn down reinforced wheels from larger power tools. Wheels intended for larger power tools are not suitable for the higher speed of a smaller tool and may burst. Additional safety warnings specific for abrasive cutting off operations.
- ✿ Do not "jam" the cut-off wheel or apply excessive pressure. Do not attempt to make an excessive depth of cut. Overstressing the wheel increases the loading and susceptibility to twisting or binding of the wheel in the cut possibility of kickback or wheel breakage.
- ✿ Do not position your body in line with and behind the rotating wheel. When the wheel, at the point of operation, is moving away from your body, the possible kickback may propel the spinning wheel and the power tool directly at you.
- ✿ When wheel is binding or when interrupting a cut for any reason, switch off the power tool and hold the power tool motionless until the wheel comes to a complete stop. Never attempt to remove the cut-off wheel from the cut while the wheel is in motion otherwise kickback may occur. Investigate and take corrective action to eliminate the cause of wheel binding.
- ✿ Do not restart the cutting operation in the workpiece. Let the wheel reach full speed and carefully re-enter the cut. The wheel may bind, walk up or kickback if the power tool is restarted in the workpiece.

- ✿ Support panels or any oversized workpiece to minimize the risk of wheel pinching and kickback. Large workpieces tend to sag under their own weight. Supports must be placed under the workpiece near the line of cut and near the edge of the workpiece on both sides of the wheel.
- ✿ Use extra caution when making a “pocket cut” into existing walls or other blind areas. The protruding wheel may cut gas or water pipes, electrical wiring or objects that can cause kickback.  
Safety warnings specific for sanding operations
- ✿ Do not use excessively oversized sanding disc paper. Follow manufacturers recommendations, when selecting sanding paper. Larger sanding paper extending beyond the sanding pad presents a laceration hazard and may cause snagging, tearing of the disc, or kickback.  
Safety warnings specific for wire brushing operations
- ✿ Be aware that wire bristles are thrown by the brush even during ordinary operation. Do not overstress the wires by applying excessive load to the brush. The wire bristles can easily penetrate light clothing and/or skin.
- ✿ If the use of a guard is recommended for wire brushing, do not allow any interference of the wire wheel or brush with the guard. Wire wheel or brush may expand in diameter due to work load and centrifugal forces.

### 3. WORKING WITH ANGLE GRINDER

- ✿ The optimum angle of disc to work piece is 150°.
- ✿ Maintain the largest possible distance between the disc and operator.
- ✿ Exert only slight pressure and no lateral load on the disc. Note the direction of rotation and watch out for flying sparks.
- ✿ Avoid knocking the work piece.
- ✿ If the disc diameter is less than 80 mm, change the disc.

### 4. SYMBOLS



The product complies with the applicable standards and regulations.



Read the Instruction Manual attentively prior to use.



Use eyes protective equipment



Use ears protective equipment



Spindle thread: M14

## 5. PRODUCT DESCRIPTION AND SPECIFICATIONS



Read all safety warnings and all instructions. Failure to follow the warnings and instructions may result in electric shock, fire and/or serious injury.

### Intended Use

The machine is intended for cutting, roughing and brushing of metal and stone materials without the use of water. For cutting with bonded abrasives, a special cutting guard (accessory) must be used. When cutting in stone, provide for sufficient dust extraction. With approved sanding tools, the machine can be used for sanding with sanding discs.

### Product Features

The numbering of the product features refers to the illustration of the machine on the graphics page.

1. Release lever for protection guard
2. Spindle lock button
3. On/Off switch
4. Auxiliary handle
5. Grinder spindle
6. Protection guard for grinding
7. Mounting flange
8. Grinding wheel (part of the package)
9. Clamping nut
10. Protection guard for cutting (not included in the package)
11. Cutting disc (not included in the package)
12. Direction-of-rotation arrow on housing

In addition to the safe use of tools, note should also be made:

1. Carefully check the grinding wheel piece before use. There should be no cracks or cracks.
2. Before using the angular grinder for operation, check that the rotation direction of the grinding wheel piece should be consistent with the arrow direction indicated on the protection cover of the head of the reduction gear box.
3. In the process of operation, do not force too hard, do not make the grinding wheel hit, lest the grinding wheel burst cause casualties. Do not swing the grinding wheel horizontally when using the grinding machine for cutting.
4. In the process of using the angular polishing machine, if any of the following situations occur, the power must be cut off immediately, to find out the cause, and can be used after normal maintenance.
  - ① The transmission parts are stuck, the speed of rapid decline or stop rotation.
  - ② Found there is abnormal push or sound, temperature rise too high or smell.
  - ③ The grinding wheel was found cracked.
  - ④ The commutator spark too large and ring fire phenomenon.

### Correct operation and use of Angle grinder

1. During operation, the angular polishing machine should be started first, and then the workpiece should be contacted; Finish the work to leave the workpiece, after cutting off the power supply, the operation should be evenly applied pressure, not too much force.

2. In order to achieve good machining results, the grinding wheel plane and the working grinding surface should be at an Angle of 15°~30° as far as possible. If it is used for cutting, electric Angle should be used to push the grinder along the plane of the cutting grinding wheel, do not move left and right, so as not to cause damage to the grinding wheel.
3. When grinding workpieces of different materials, grinding wheels of different accuracy and hardness should be selected to improve grinding efficiency. Generally, it is selected as follows:
  - (1) coarse grinding casting selection 12#~16# grinding wheel;
  - (2) clean ingot, cast iron choose 16#~24# grinding wheel;
  - (3) polished weld, grinding surface choose 36#~46# grinding wheel.
4. Wear protective glasses during operation.

## 6. TECHNICAL DATA

Model	FDUB 70605-0
Rated voltage	20 V
Unloaded Speed	7500RPM±10%
Maximum wheel diameter	115mm
Spindle thread	M14
Grinding wheel diameter	22.2mm

### Accessories

Item number	Accessory
FDUZ 79020	Battery pack 2 Ah
FDUZ 79040	Battery pack 4 Ah
FDUZ 79100	Fast charger
FDUZ 79110	Fast dual charger

## 7. MAINTENANCE AND SERVICE

### Maintenance of Angle grinder

1. Keep the air duct clear and regularly eliminate oil and dirt in the machine.
2. Carry out a comprehensive inspection at least once a quarter and add grease. Should also be other measuring insulation resistance value shall not be less than 7 m  $\Omega$ , if less than 7 m  $\Omega$ , must make dry processing.

The common faults and maintenance methods of Angle grinder are listed in the following table for readers' reference during maintenance.

Fault phenomenon	Reasons causing	Maintenance and repair methods
The motor doesn't work after the connection	<ol style="list-style-type: none"> <li>1. The power is off</li> <li>2. Poor contact or no action of switch</li> <li>3. The brush is not in contact with the surface of the commutator</li> <li>4. Armature or stator coil burns out</li> </ol>	<ol style="list-style-type: none"> <li>1. Repair the power supply</li> <li>2. Repair or replace the switch</li> <li>3. Adjust the pressure and position of the positive disc spring to make it in good contact</li> <li>4. If it is broken at the outlet, it can be used after rewelding; otherwise, it needs to be rewound or replaced</li> </ol>
The electrical connection makes an abnormal sound and does not rotate or rotate very slowly	<ol style="list-style-type: none"> <li>1. Switch contact burns out</li> <li>2. The mechanical part is stuck</li> <li>3. The axial pressure exceeds the load of the ambassado</li> <li>4. Motor damage</li> <li>5. The power voltage is too low</li> <li>6. Spiral bevel gear is broken</li> </ol>	<ol style="list-style-type: none"> <li>1. Replace the switch</li> <li>2. Check the mechanical part</li> <li>3. Reduce axial pressure</li> <li>4. Replace motor</li> <li>5. Adjust the power voltage</li> <li>6. Change gears</li> </ol>
Excessive heating of gearbox housing	<ol style="list-style-type: none"> <li>1. Lack of grease in gear box or grease gets dirty</li> <li>2. Gear meshing is too tight or debris falls into the interior</li> </ol>	<ol style="list-style-type: none"> <li>1. Add or replace grease</li> <li>2. Adjust or replace gears to remove debris</li> </ol>

### Protection Guard for Cutting

- ☛ For cutting with bonded abrasives, always use the protection guard for cutting 10.
- ☛ Provide for sufficient dust extraction when cutting stone.

The protection guard for cutting 10 is mounted in the same manner as the protection guard for grinding. 6 Cutting Guide with Dust Extraction Protection Guard The cutting guide with dust extraction protection guard is mounted in the same manner as the protection guard for grinding 6.

### Auxiliary Handle

- ☛ Operate your machine only with the auxiliary handle 4.
- Screw the auxiliary handle 4 on the right or left of the machine head depending on the working method.

### Hand Guard

- ✿ For operations with the rubber sanding plate 13 or with the cup brush/wheel brush/flap disc, always mount the hand guard 12.

The hand guard 12 is fastened with the auxiliary handle 4.

### Mounting the Grinding Tools

- ✿ Before any work on the machine itself, pull the mains plug.
- ✿ Do not touch grinding and cutting discs before they have cooled down. The discs can become very hot while working.

Clean the grinder spindle 5 and all parts to be mounted.

For clamping and loosening the grinding tools, lock the grinder spindle with the spindle lock button 2.

- ✿ Actuate the spindle lock button only when the grinder spindle is at a standstill. Otherwise, the machine may become damaged.

### Grinding/Cutting Disc

Pay attention to the dimensions of the grinding tools. The mounting hole diameter must fit the mounting flange without play. Do not use reducers or adapters.

When using diamond cutting discs, pay attention that the direction-of-rotation arrow on the diamond cutting disc and the direction of rotation of the machine (see direction-of-rotation arrow on the machine head) agree.

See graphics page for the mounting sequence.

To fasten the grinding/cutting disc, screw on the clamping nut 9 and tighten with the two-hole spanner.

- ✿ After mounting the grinding tool and before switching on, check that the grinding tool is correctly mounted and that it can turn freely. Make sure that the grinding tool does not graze against er parts.

### Approved Grinding Tools

All grinding tools mentioned in these operating instructions can be used.

The permissible speed (min) or the circumferential speed (m/s) of the grinding tools used must at least match the values given in the table.

Therefore, observe the permissible rotational/circumferential speed on the label of the grinding tool.



## 8. DISPOSAL



The machine, rechargeable batteries, accessories and packaging should be sorted for environmentalfriendly recycling.

Do not dispose of power tools and batteries/rechargeable batteries into household waste!

### Only for EC countries:



According to the European Guideline 2012/19/EU, power tools that are no longer usable, and according to the European Guideline 2006/66/EC, defective or used battery packs/batteries, must be collected separately and disposed of in an environmentally correct manner.

#### INSTRUCTIONS AND INFORMATION ON DISPOSING OF USED PACKAGING MATERIALS

Put any used package material to the place determined by the municipality for waste disposal.

#### DISPOSAL OF USED ELECTRIC AND ELECTRONIC EQUIPMENT



This symbol on products or accompanying documents means that used electric or electronic products must not be put to ordinary municipal waste. Hand over such products to determined collection points for proper disposal, restoration and recycling. Alternatively, in some countries of the European Union or other European countries you can return your products to your local dealer when you buy an equivalent new product. By dutiful disposal of this product you can preserve precious natural resources and you help prevent any potential adverse effects on the environment and human health which could be the results of wrong waste disposal. Ask your local authority or the nearest collection point for additional details. In case of improper disposal of this waste kind penalties can be imposed in accordance with national regulations.

#### For companies in the European Union countries

Should you want to dispose of electric and electronic devices, ask your dealer or vendor for necessary information. Disposal in other countries outside the European Union. Should you want to dispose of this product, ask your local authorities or your dealer for necessary information about disposal method.



This product fulfils all basic requirements of the EU directives that apply to it.

Text, design and technical specifications can change without prior notice and we reserve the right for their change.

User manual in the original language.

## 9. DECLARATION OF CONFORMITY

# FAST®

**FAST ČR, a.s.**  
Černokostecká 1621, 251 01 Říčany, Czech Republic  
tel.: +420 323 204 111, Fax: +420 323 204 110

### EU DECLARATION OF CONFORMITY

**Product / brand:** Cordless Angle Grinder / **FIELDMANN**

**Type / model:** **FDUB 70605-0** as factory model SOM-WYT01-18Li-115  
DC 20V (battery powered), speed 7500/m<sup>1</sup>, diameter 115mm,  
Class III, IPX0  
L<sub>PA</sub> = 81,7dB(A), L<sub>WA</sub> = 92,7dB(A)

**Manufacturer:** FAST ČR, a.s.  
Černokostecká 2111, 100 00 Praha 10, Czech Republic  
VAT no: CZ26726548

**The product is inline with directives and regulations listed below:**

Directive MD 2006/42/EC  
Directive EMC 2014/30/EU  
Directive NEOF 2000/14/EC  
Directive RoHS 2011/65/EU

**and norms:**

EN 60745-1:2009+A11  
EN 60745-2-3:2011+A2+A11+A12+A13  
EN 55014-1:2017  
EN 55014-2:2015



**Place of issuance:** Prague

**Name:** Ing. Zdeněk Pech  
Chairman of the Board

**Date of issuance:** 22. 7. 2020

**Signature:**

**FAST®** FAST ČR, a.s.   
Černokostecká 1621, 251 01 Říčany  
IČO: 26726548 tel.: +420/ 323 204 111  
DIČ: CZ26726548 fax: +420/ 323 204 110

IČO: 26 72 65 48, DIČ: CZ-26 72 65 48

**Bankovní spojení:** Komerční banka Praha 1, č.ú. 89309011/0100, Česká spořitelna Praha 4, č.ú. 2375682/0800,  
CSOB Praha 1, č.ú. 8010-0116233383/0300

# Úhlová bruska **20V** FASTPOWER

## UŽIVATELSKÁ PŘÍRUČKA

**Děkujeme vám za zakoupení této akumulátorové úhlové brusky FIELDMANN. Před jejím použitím si prosím pozorně přečtete tuto uživatelskou příručku a uschovejte ji pro případné pozdější použití.**

## OBSAH

1. OBECNÉ BEZPEČNOSTNÍ POKYNY .....	20
2. SPECIFICKÉ BEZPEČNOSTNÍ POKYNY .....	20
3. PRÁCE S ÚHLOVOU BRUSKOU .....	26
4. SYMBOLY .....	26
5. POPIS VÝROBKU A SPECIFIKACE .....	27
6. TECHNICKÉ ÚDAJE .....	28
7. ÚDRŽBA A SERVIS .....	29
8. LIKVIDACE .....	31
9. PROHLÁŠENÍ O SHODĚ .....	32

# 1. OBECNÉ BEZPEČNOSTNÍ POKYNY

## **⚠ VAROVÁNÍ!**

Před použitím si pečlivě přečtěte tento návod k obsluze.

### **Důležitá bezpečnostní upozornění**

- ✿ Výrobek opatrně vybalte a zkontrolujte, zda balení obsahovalo všechny součásti výrobku; dbejte na to, abyste žádnou z těchto součástí neztratili.
- ✿ Výrobek uložte na suchém místě, mimo dosah dětí.
- ✿ Přečtěte si všechna upozornění a všechny pokyny. Nedodržení upozornění a bezpečnostních pokynů může mít za následek nehodu, požár a/nebo vážné zranění.

### **Balení**

Výrobek je umístěn v obalu, který zabraňuje jeho poškození během přepravy. Tento obal představuje druhotnou surovinu, a proto je třeba jej předat k recyklaci.

### **Pokyny pro používání**

Před zahájením práce s tímto náradím si přečtěte následující bezpečnostní pravidla a pokyny k obsluze. Důkladně se seznámte s ovládacími prvky tohoto nářadí a se správným způsobem jejich používání. Návod uložte na bezpečném místě pro pozdější použití. Doporučujeme vám uschovat si alespoň po dobu platnosti záruky originální obal včetně vnitřních balících materiálů, účtenku a záruční list. V případě nutnosti přepravy zabalte toto nářadí do originální krabice dodané výrobcem, čímž bude zajištěna maximální ochrana výrobku během této přepravy (například v souvislosti se stěhováním nebo odesláním do servisního střediska).

**📖 Poznámka:** Pokud budete toto nářadí předávat dalšímu uživateli, přiložte k němu také návod. Dodržování pokynů uvedených v tomto návodu je nezbytným předpokladem řádného způsobu používání tohoto nářadí. Tento návod k použití obsahuje kromě pokynů k obsluze také pokyny k provádění údržby a oprav.

**Výrobce nenese žádnou odpovědnost za nehody nebo škody způsobené nedodržením pokynů uvedených v tomto návodu.**

# 2. SPECIFICKÉ BEZPEČNOSTNÍ POKYNY

**Tyto bezpečnostní pokyny si pečlivě prostudujte, zapamatujte a uschovejte!**

## **⚠ UPOZORNĚNÍ!**

Při používání elektrických strojů a elektrického nářadí je nutno respektovat a dodržovat následující bezpečnostní pokyny z důvodů ochrany před úrazem elektrickým proudem, zraněním osob a nebezpečím vzniku požáru. Výrazem „elektrické nářadí“ je ve všech níže uvedených pokynech myšleno jak elektrické nářadí napájené ze sítě (napájecím kabelem), tak nářadí napájené z baterií (bez napájecího kabelu). Uschovejte všechna varování a pokyny pro příští použití.

### **Pracovní prostředí**

- ✿ Udržujte pracovní prostor v čistém stavu a dobře osvětlen. Nepořádek a tmavá místa na pracovišti bývají příčinou úrazů. Ukliděte nářadí, které právě nepoužíváte.
- ✿ Nepoužívejte elektrické nářadí v prostředí s nebezpečím vzniku požáru nebo výbuchu, to znamená v místech, kde se vyskytují hořlavé kapaliny, plyny nebo prach. V elektrickém nářadí vzniká na komutátoru jiskření, které může být příčinou vznícení prachu nebo výparů.

- ☛ Při používání el. nářadí zamezte přístupu nepovolaných osob, zejména dětí, do pracovního prostoru! Budete-li vyrušováni, můžete ztratit kontrolu nad prováděnou činností. V žádném případě nenechávejte el. nářadí bez dohledu. Zabraňte zvířatům přístup k zařízením.

### Elektrická bezpečnost

- ☛ Vidlice napájecího kabelu elektrického nářadí musí odpovídat síťové zásuvce. Nikdy jakýmkoliv způsobem neupravujte vidlici. K nářadí, které má na vidlici napájecího kabelu ochranný kolík, nikdy nepoužívejte rozdvójky ani jiné adaptéry. Nepoškozené vidlice a odpovídající zásuvky omezí nebezpečí úrazu elektrickým proudem. Poškozené nebo zamotané napájecí kabely zvyšují nebezpečí úrazu elektrickým proudem. Pokud je síťový kabel poškozen, je nutno jej nahradit novým síťovým kabelem, který je možné získat v autorizovaném servisním středisku nebo u dovozce.
- ☛ Vyvarujte se dotyku těla s uzemněnými předměty, jako např. potrubí, tělesa ústředního topení, sporáky a chladničky. Nebezpečí úrazu elektrickým proudem je větší, je-li vaše tělo spojeno se zemí.
- ☛ Nevystavujte elektrické nářadí dešti, vlhku nebo mokru. Elektrického nářadí se nikdy nedotýkejte mokřýma rukama. Elektrické nářadí nikdy neumývejte pod tekoucí vodou ani ho neponožujte do vody.
- ☛ Nepoužívejte napájecí kabel k jinému účelu, než pro jaký je určen. Nikdy nenoste a netáhejte elektrické nářadí za napájecí kabel. Nevytahujte vidlici ze zásuvky tahem za kabel. Zabraňte mechanickému poškození elektrických kabelů ostrými nebo horkými předměty.
- ☛ El. nářadí bylo vyrobeno výlučně pro napájení střídavým el. proudem. Vždy zkontrolujte, že elektrické napětí odpovídá údajům uvedenému na typovém štítku nářadí. Nikdy nepracujte s nářadím, které má poškozený el. kabel nebo vidlici, nebo spadlo na zem a je jakýmkoliv způsobem poškozené.
- ☛ V případě použití prodlužovacího kabelu vždy zkontrolujte, že jeho technické parametry odpovídají údajům uvedeným na typovém štítku nářadí. Je-li elektrické nářadí používáno venku, používejte prodlužovací kabel vhodný pro venkovní použití. Při použití prodlužovacích bubnů je nutné je rozvinout, aby nedocházelo k přehřátí kabelu.
- ☛ Je-li elektrické nářadí používáno ve vlhkých prostorech nebo venku, je povoleno jej používat pouze, pokud je zapojeno do el. obvodu s proudovým chráničem  $\leq 30$  mA. Použití el. obvodu s chráničem /RCD/ snižuje riziko úrazu elektrickým proudem.
- ☛ Ruční el. nářadí držte výhradně za izolované plochy určené k uchopení, protože při provozu může dojít ke kontaktu řezacího či vrtacího příslušenství se skrytým vodičem nebo s napájecí šňůrou nářadí.

### Bezpečnost osob

- ☛ Při používání elektrického nářadí buďte pozorní a ostražití, věnujte maximální pozornost činnosti, kterou právě provádíte. Soustřeďte se na práci. Nepracujte s elektrickým nářadím pokud jste unaveni, nebo jste-li pod vlivem drog, alkoholu nebo léků. I chvilková nepozornost při používání elektrického nářadí může vést k vážnému poranění osob. Při práci s el. nářadím nejezte, nepijte a nekuřte.
- ☛ Používejte ochranné pomůcky. Vždy používejte ochranu zraku. Používejte ochranné prostředky odpovídající druhu práce, kterou provádíte. Ochranné pomůcky jako např. respirátor, bezpečnostní obuv s protiskluzovou úpravou, pokrývka hlavy nebo ochrana sluchu používané v souladu s podmínkami práce snižují riziko poranění osob.
- ☛ Vyvarujte se neúmyslného zapnutí nářadí. Nepřenášejte nářadí, které je připojeno k elektrické síti, s prstem na spínači nebo na spoušti. Před připojením k elektrickému napájení se ujistěte, že spínač nebo spoušť jsou v poloze „vypnuto“. Přenášení nářadí s prstem na spínači nebo zapojování vidlice nářadí do zásuvky se zapnutým spínačem může být příčinou vážných úrazů.
- ☛ Před zapnutím nářadí odstraňte všechny seřizovací klíče a nástroje. Seřizovací klíč nebo nástroj, který zůstane připevněn k otáčející se části elektrického nářadí může být příčinou poranění osob.

- ✿ Vždy udržujte stabilní postoj a rovnováhu. Pracujte jen tam, kam bezpečně dosáhnete. Nikdy nepřeceňujte vlastní sílu. Nepoužívejte elektrické nářadí, jste-li unaveni.
- ✿ Oblékejte se vhodným způsobem. Používejte pracovní oděv. Nenoste volné oděvy ani šperky. Dbejte na to, aby se vaše vlasy, oděv, rukavice nebo jiná část vašeho těla nedostala do přílišné blízkosti rotujících nebo rozpálených částí el.nářadí.
- ✿ Připojte zařízení k odsávání prachu. Jestliže má nářadí možnost připojení zařízení pro zachycování nebo odsávání prachu, zajistěte, aby došlo k jeho řádnému připojení a používání. Použití těchto zařízení může omezit nebezpečí vznikající prachem.
- ✿ Pevně upevněte obrobek. Použijte truhlářskou svěrku nebo svěrák pro upevnění dílu, který budete obrábět.
- ✿ Nepoužívejte elektrické nářadí pokud jste pod vlivem alkoholu, drog, léků nebo jiných omamných či návykových látek.
- ✿ Toto zařízení není určené pro použití osobami (včetně dětí) se sníženými fyzickými, smyslovými nebo mentálními schopnostmi nebo s nedostatkem zkušeností a znalostí, pokud nejsou pod dozorem nebo nedostali pokyny s ohledem na použití zařízení od osoby zodpovědné za jejich bezpečnost. Děti musí být pod dozorem, aby jste se ujistili, že si nehrají se zařízením.

### Používání akumulátorového nářadí

- ✿ Před vložením akumulátoru se přesvědčte, že je vypínač v poloze „0-vypnuto“. Vložení akumulátoru do zapnutého nářadí může být příčinou nebezpečných situací.
- ✿ K nabíjení akumulátorů používejte pouze nabíječky předepsané výrobcem. Použití nabíječky pro jiný typ akumulátoru může mít za následek jeho poškození a vznik požáru.
- ✿ Používejte pouze akumulátory určené pro dané nářadí. Použití jiných akumulátorů může být příčinou zranění nebo vzniku požáru.
- ✿ Pokud není akumulátor používán, uchovávejte ho odděleně od kovových předmětů jako jsou svorky, klíče, šrouby a jiné drobné kovové předměty, které by mohly způsobit spojení jednoho kontaktu akumulátoru s druhým. Zkratování akumulátoru může zapříčinit zranění, popáleniny nebo vznik požáru.
- ✿ S akumulátory zacházejte šetrně. Při nešetrném zacházení může z akumulátoru uniknout chemická látka. Vyvarujte se kontaktu s touto látkou a pokud i přesto dojde ke kontaktu, vymyjte postižené místo proudem tekoucí vody. Pokud se chemická látka dostane do očí, vyhledejte ihned lékařskou pomoc. Chemická látka z akumulátoru může způsobit vážná poranění.

### Servis

- ✿ Nevyměňujte části nářadí, neprovádějte sami opravy, ani jiným způsobem nezasahujte do konstrukce nářadí. Opravy nářadí svěďte kvalifikovaným osobám.
- ✿ Každá oprava nebo úprava výrobku bez oprávnění naší společnosti je nepřipustná (může způsobit úraz, nebo škodu uživateli).
- ✿ Elektrické nářadí vždy nechte opravit v certifikovaném servisním středisku. Používejte pouze originální nebo doporučené náhradní díly. Zajistíte tak bezpečnost Vaši i Vašeho nářadí.

### Zpětný ráz a příslušná varování

- ✿ Zpětný ráz je náhlou reakcí na přiskřípnutí nebo zaseknutí rotujícího kotouče, podpěrné podložky, kartáče nebo jiného příslušenství. Zablokování nebo zaseknutí způsobuje náhlé zastavení rotujícího příslušenství, což následně způsobí nekontrolovatelný pohyb nářadí v opačném směru, než je směr otáčení příslušenství v místě jeho zablokování.  
Dojde-li například k zablokování nebo zaseknutí brusného kotouče v obrobku, pracovní hrana kotouče, která vniká do bodu zaseknutí, může vniknout do povrchu materiálu, což způsobí stoupání pracovního nástroje

nebo zpětný ráz. Kotouč může vyskočit směrem k uživateli nebo od uživatele v závislosti na směru otáčení kotouče v bodě jeho zablokování. V těchto podmínkách může také dojít k prasknutí brusných kotoučů.

Zpětný ráz je důsledkem nesprávného použití nářadí, nesprávného pracovního postupu nebo nevhodných provozních podmínek a zpětnému rázu může být zabráněno dodržováním níže uvedených pokynů.

- ✿ Stále udržujte pevný úchop nářadí a udržujte takovou polohu těla a paží, abyste mohli odolávat silám zpětného rázu. Vždy používejte přídatnou rukojeť, je-li k dispozici, aby byla zaručena maximální kontrola nad zpětným rázem nebo nad momentovou reakcí během spouštění. Obsluha může ovládat momentové reakce nebo síly zpětného rázu, jsou-li prováděna náležitá preventivní opatření.
- ✿ Nikdy nevkládejte ruce do blízkosti rotujícího příslušenství. Příslušenství může být odmrštěno směrem dozadu přes vaše ruce.
- ✿ Nestoupejte si na taková místa, do kterých by bylo nářadí odmrštěno v případě zpětného rázu. Zpětný ráz odhodí nářadí v opačném směru, než je pohyb pracovního nástroje v místě jeho zablokování.
- ✿ Buďte velmi opatrní při práci v blízkosti rohů, ostrých hran atd. Vyvarujte se odsakování a zachytávání příslušenství. Rohy, ostré hrany nebo poskakování pracovního příslušenství mají tendenci zachytávat rotující příslušenství a způsobit ztrátu kontroly nebo zpětný ráz.
- ✿ Nepoužívejte pilový řetěz, kotouče na obrábění dřeva nebo ozubené pilové kotouče. Takové kotouče vytváří riziko zpětného rázu a ztráty kontroly nad nářadím.

**⚠ VAROVÁNÍ!** Před použitím si prosím pečlivě přečtěte tyto bezpečnostní pokyny a uložte je na bezpečném místě.

- ✿ Při nedodržení pokynů uvedených v tomto návodu hrozí nebezpečí způsobení zranění.
- ✿ Tato úhlová bruska splňuje požadavky platných technických předpisů a norem.
- ✿ Nepoužívejte jiné příslušenství kromě brusných, řezacích a diamantových kotoučů.
- ✿ Nikdy nepoužívejte toto nářadí bez bezpečnostní síťky.
- ✿ Vždy používejte ochranu zraku (ochranné brýle nebo ochranný štít) a ochranu sluchu.
- ✿ Nepoužívejte žádné řezné a brusné kotouče pro boční broušení.
- ✿ Při práci v prašném prostředí se ujistěte, zda nejsou větrací otvory zaneseny nečistotami.
- ✿ Při řezání do stěn zkontrolujte, zda se za těmito stěnami nenachází žádná elektrická vedení (pomocí detektoru kovů).
- ✿ Nikdy neprovádějte chlazení brusného kotouče vodou.
- ✿ Po obrábění se nedotýkejte opracované hrany, protože může být horká.
- ✿ Nikdy neupevňujte tuto brusku k pracovnímu stolu.
- ✿ Ujistěte se, zda jsou provozní otáčky uvedené na brusném kotouči vyšší nebo stejné jako otáčky, které jsou uvedeny na typovém štítku této brusky.
- ✿ Neprovádějte řezání žádných materiálů, které vyžadují řez s maximální šířkou přesahující hloubku brusného kotouče.
- ✿ Neprovádějte řezání a broušení lehkých kovů s obsahem hořčíku větším než 80 %, protože jsou takové kovy hořlavé.
- ✿ Ujistěte se, zda má brusný kotouč správné rozměry a zda je správně namontován na hřídeli brusky.
- ✿ Manipulujte s brusnými kotouči velmi opatrně a v souladu s pokyny dodanými s těmito brusnými kotouči.
- ✿ Kontrolujte brusný kotouč před každým použitím.
- ✿ Nepoužívejte brusné kotouče, které jsou prasklé nebo jinak poškozené.
- ✿ Ujistěte se, zda je brusný kotouč namontován podle uvedených pokynů.
- ✿ Po montáži brusného kotouče nechejte brusku v chodu ve volnoběžných otáčkách na bezpečném místě. Dochází-li u brusky k velkým vibracím nebo vykazuje-li brusný kotouč viditelné poškození, ihned brusku vypněte a pokuste se zjistit příčinu.

- ☼ Nepoužívejte žádné redukce nebo jiné přídavné prvky pro montáž brusného kotouče určené pro různé průměry hřídelů.
- ☼ Zajistěte, aby byl obrobek odpovídajícím způsobem opřen nebo upevněn. Nikdy nepoužívejte brusný kotouč pro odstraňování ořepů.
- ☼ Zajistěte, aby bylo zabráněno tomu, aby proud jisker zasahoval jiné osoby nebo aby způsobil vznícení hořlavých materiálů.
- ☼ Stojí-li někdo v ose s brusným kotoučem, proveďte vhodná ochranná opatření. Zajistěte, aby došlo k vyčištění pracovního prostoru ve vaší blízkosti.
- ☼ Provádějte stisknutí zajišťovacího tlačítka kotouče (3) pouze po úplném zastavení motoru a hřídele brusky!
- ☼ Pamatujte, že z důvodu setrvačnosti bude brusný kotouč po vypnutí brusky ještě chvíli pokračovat v otáčení.
- ☼ Vždy používejte přídavnou rukojeť dodávanou s tímto nářadím. Ztráta kontroly nad elektrickým nářadím může vést k způsobení zranění.

**⚠ VAROVÁNÍ!** Používejte ochranné prostředky proti hluku, prachu a vibracím!!!

**⚠ VAROVÁNÍ!** Uschovejte tyto bezpečnostní pokyny!!!

## Bezpečnostní výstrahy pro broušení a rozbrušování

### Rozbrušovací práce

- ☼ Používejte pouze typy kotoučů, které jsou doporučené pro vaše nářadí a specifický ochranný kryt navržený pro zvolený kotouč. Kotouče, pro které není toto elektrické nářadí určeno, nemohou být odpovídajícím způsobem chráněny a jsou nebezpečné.
- ☼ Brusná plocha kotoučů s prohloubeným středem musí být namontována pod rovinou okraje ochranného krytu. Nesprávně namontovaný kotouč, který přečnívá přes rovinu okraje ochranného krytu, nemůže být odpovídajícím způsobem chráněn.
- ☼ Ochranný kryt musí být bezpečně upevněn k nářadí a musí být umístěn tak, aby byla zaručena maximální bezpečnost a aby na uživatele směřovala co nejmenší část nekrytého kotouče. Ochranný kryt pomáhá chránit obsluhu před úlomky kotouče, náhodným kontaktem s kotoučem a jiskrami, které by mohly způsobit vznícení oděvu.
- ☼ Kotouče mohou být používány pouze pro doporučené práce. Neprovádějte například broušení boční částí rozbrušovacího kotouče. Abrazivní rozbrušovací kotouče jsou určeny pro obvodové broušení a boční síly působící na tyto kotouče mohou způsobit jejich zničení.
- ☼ Vždy používejte nepoškozené příruby kotouče, které mají správnou velikost a tvar pro zvolený kotouč. Správné příruby podírají kotouč, a tak omezují možnost prasknutí tohoto kotouče. Příruby pro rozbrušovací kotouče se mohou lišit od přírub pro brusné kotouče.
- ☼ Nepoužívejte opotřebené zesílené kotouče z větších elektrických brusek. Kotouče určené pro větší elektrické nářadí nejsou vhodné pro vyšší otáčky menšího nářadí, a proto mohou prasknout. Další bezpečnostní výstrahy specifické pro abrazivní rozbrušovací práce.
- ☼ Zabráňte zablokování rozbrušovacího kotouče a nevyvíjejte na rozbrušovací kotouč nadměrný tlak. Nepokoušejte se provádět nadměrnou hloubku řezu. Nadměrné zatížení zvyšuje zátěž a náchylnost ke zkroucení nebo zablokování kotouče v řezu a zvyšuje možnost zpětného rázu nebo zlomení kotouče.
- ☼ Nestoupejte si do osy rotujícího kotouče a za rotující kotouč. Pohybuje-li se kotouč v místě pracovní operace směrem od vašeho těla, možný zpětný ráz může odhodit rotující kotouč a elektrické nářadí přímo na vás.
- ☼ Dojde-li k zablokování kotouče nebo dojde-li z jakéhokoli důvodu k přerušení řezu, vypněte nářadí a držte toto nářadí bez pohybu, dokud se kotouč zcela nezastaví. Nikdy se nepokoušejte vyjmout rozbrušovací kotouč z řezu, je-li tento kotouč v pohybu, protože by mohlo dojít k zpětnému rázu. Předvídejte a provádějte nápravná opatření, abyste odstranili příčinu zablokování kotouče.



- ☼ Neprovádějte opětovné zahájení řezu v obrobku. Nechejte kotouč dosáhnout maximálních otáček a opatrně jej zaveďte zpět do řezu. Dojde-li k opětovnému spuštění brusky v obrobku, kotouč se může zablokovat, může vyskočit směrem nahoru nebo může dojít k zpětnému rázu.
- ☼ Podepřete panely nebo jiné nadměrné obrobky tak, abyste minimalizovali riziko zablokování a zpětného rázu kotouče. Velké obrobky mají tendenci se prohýbat působením vlastní hmotností. Podpěry musí být umístěny pod obrobkem v blízkosti čáry řezu a v blízkosti okrajů obrobku na obou stranách kotouče.
- ☼ Při provádění zářezů do stávajících stěn nebo do jiných míst, za která nevidíte, buďte velmi opatrní. Vyčnívající kotouč může přefezat plynové nebo vodovodní potrubí, elektrické vodiče nebo předměty, které mohou způsobit zpětný ráz.  
Bezpečnostní výstrahy specifické pro brusné práce
- ☼ Nepoužívejte nadměrně velké brusné papíry. Při výběru brusného papíru dodržujte pokyny a doporučení výrobce. Větší brusný papír přesahující za okraj brusné podložky představuje riziko způsobení tržné rány a může způsobit zachycení, roztržení kotouče nebo zpětný ráz.  
Bezpečnostní výstrahy specifické pro práce s drátěnými kotouči
- ☼ Uvědomte si, že k uvolňování jednotlivých drátů z drátěného kotouče dochází i při běžném provozu. Nepřetěžujte drátěné kotouče jejich nadměrným zatížením. Úlomky drátů mohou snadno proniknout lehkým oděvem nebo do pokožky.
- ☼ Je-li pro práce s drátěným kotoučem doporučeno použití krytu, nedovolte, aby došlo ke kontaktu drátěného kotouče nebo kartáče s firmto krytem. Drátěný kotouč nebo kartáč může působením pracovního zatížení a odstředivých sil zvětšit svůj průměr.

### 3. PRÁCE S ÚHLOVOU BRUSKOU

- ✿ Optimální úhel kotouče vzhledem k obroku je 150°.
- ✿ Udržujte co největší vzdálenost mezi kotoučem a uživatelem brusky.
- ✿ Vytvářejte na kotouč pouze mírný tlak a žádné boční zatížení. Dodržujte směr otáčení a dávejte pozor na odlétávající jiskry.
- ✿ Zabraňte klepání obroku.
- ✿ Jakmile bude průměr kotouče menší než 80 mm, proveďte výměnu kotouče.

### 4. SYMBOLY



Tento výrobek splňuje požadavky platných norem a předpisů.



Před použitím si pozorně přečtěte návod k obsluze.



Používejte ochranu zraku



Používejte ochranu sluchu



Závit hřídele: M14

## 5. POPIS VÝROBKU A SPECIFIKACE



Přečtěte si všechny bezpečnostní výstrahy a všechny pokyny. Nebudete-li dodržovat všechny uvedené výstrahy a pokyny, může dojít k úrazu způsobenému elektrickým proudem, k požáru nebo k vážnému zranění.

### Určené použití

Toto nářadí je určeno pro řezání, broušení a kartáčování kovových a kamenných materiálů bez použití vody.

Při řezání pomocí pojených brusiv musí být použit speciální ochranný kryt pro řezání (příslušenství).

Při řezání kamenů zajistěte použití účinného odsávání prachu. Se schváleným brusným nástrojem může být tato bruska použita pro broušení brusnými kotouči.

### Popis výrobku

Číslování v popisu tohoto výrobku se vztahuje k obrázkům tohoto nářadí na grafické stránce.

1. Uvolňovací páčka ochranného krytu
2. Tlačítko zajištění hřídele
3. Spínač zapnuto/vypnuto
4. Přídavná rukojeť
5. Hřídel brusky
6. Ochranný kryt pro broušení
7. Montážní příruba
8. Brusný kotouč (součást dodávky)
9. Upínací matice
10. Ochranný kryt pro řezání (není součástí dodávky)
11. Rozbrušovací kotouč (není součástí dodávky)
12. Šipka směru otáčení na krytu nářadí

Kromě bezpečného používání nářadí musíte dodržovat i následující:

1. Před použitím brusný kotouč pečlivě zkontrolujte. Na brusném kotouči nesmí být žádné praskliny.
2. Před použitím této úhlové brusky zkontrolujte, zda směr otáčení brusného kotouče odpovídá směru šipky, která je vyznačena na ochranném krytu hlavy redukční převodovky.
3. V průběhu broušení netlačte na nářadí příliš silně a nedovolte, aby docházelo k nárazům brusného kotouče, protože by prasklý brusný kotouč mohl způsobit zranění. Používáte-li tuto brusku pro řezání, nenastavujte brusný kotouč do vodorovné roviny.
4. Používáte-li tuto brusku jako leštičku a dojde-li k jakékoli z následujících situací, nářadí musí být okamžitě vypnuto, aby mohla být zjištěna příčina problému. Po provedení běžné údržby může být toto nářadí znovu použito.
  - ① Díly převodovky jsou zablokovány, otáčky motoru náhle klesnou a nářadí se zastaví.
  - ② Zjistíte-li, že se objeví abnormální zvuk, dojde-li k příliš velkému zvýšení teploty nebo objeví-li se zápach.
  - ③ Zjistíte-li, že došlo k prasknutí brusného kotouče.
  - ④ Zjistíte-li, že dochází k příliš velkému jiskření komutátoru a objeví-li se prstenec jisker.

### Správná obsluha a použití úhlové brusky

1. Při práci s touto bruskou jako s leštičkou musí být toto nářadí nejdříve spuštěno a potom se musí dostat do kontaktu s obrobkem. Dokončete práci, zvedněte nářadí z obrobku a odpojte nářadí od napájení. Při práci musí být na obrobek vyvíjen rovnoměrný tlak. Nepůsobte na obrobek příliš velkou silou.

2. Aby bylo dosaženo dobrých pracovních výsledků, rovina brusného kotouče a pracovní brusná plocha musí, pokud možno svírat úhel 15° až 30°. Je-li tato úhlová bruska používána pro řezání, musí být tlačena podél roviny rozbrušovacího kotouče. Neprovádějte pohyb doleva a doprava, aby nedošlo k poškození brusného kotouče.
3. Při broušení obrobků z různých materiálů si musíte zvolit brusné kotouče s různou přesností a tvrdostí, aby byla zaručena požadovaná účinnost broušení. Obecně proveďte volbu následovně:
  - (1) hrubé broušení odlitků, výběr z brusných kotoučů 12# ~ 16#,
  - (2) čištění odlitků, litiny, výběr z brusných kotoučů 16# ~ 24#,
  - (3) leštění svarů, broušení povrchů, výběr z brusných kotoučů 36# ~ 46#.
4. Při práci používejte ochranné brýle.

## 6. TECHNICKÉ ÚDAJE

Model	FDUB 70605-0
Jmenovité napětí	20 V
Otáčky naprázdno	7 500 ot/min ± 10 %
Maximální průměr kotouče	115 mm
Závit hřídele	M14
Průměr upínacího otvoru brusného kotouče	22,2 mm

### Příslušenství

Číslo položky	Příslušenství
FDUZ 79020	Baterie 2 Ah
FDUZ 79040	Baterie 4 Ah
FDUZ 79100	Rychlá nabíječka
FDUZ 79110	Rychlá dvojitá nabíječka

## 7. ÚDRŽBA A SERVIS

### Údržba úhlové brusky

1. Udržujte čisté větrací otvory a pravidelně odstraňujte nahromaděné nečistoty.
2. Minimálně jednou za čtvrt roku provádějte komplexní kontrolu a doplňte mazivo. Musí být také zajištěno, aby změřená hodnota izolačního odporu nebyla nižší než 7 M $\Omega$ . Je-li menší než 7 M $\Omega$ , práce musí být prováděna v suchém prostředí.

Běžné poruchy a způsoby údržby této úhlové brusky jsou uživatelům tohoto nářadí popsány v následující tabulce.

Zjištěný problém	Pravděpodobná příčina	Postupy pro údržbu a opravy
Po zapnutí nedojde k spuštění motoru	<ol style="list-style-type: none"> <li>1. Není k dispozici napájecí napětí</li> <li>2. Špatný kontakt nebo nefunkční spínač</li> <li>3. Uhlík není v kontaktu s povrchem komutátoru</li> <li>4. Poškozená kotva nebo cívka statoru</li> </ol>	<ol style="list-style-type: none"> <li>1. Zajistěte napájecí napětí</li> <li>2. Opravte nebo vyměňte spínač</li> <li>3. Nastavte tlak a polohu kladné pružiny uhlíku tak, aby byl uhlík v řádném kontaktu s povrchem komutátoru</li> <li>4. Došlo-li k přerušení na výstupu, může být použit po opětovném připojení. V jiném případě musí být převinut nebo vyměněn</li> </ol>
Elektrický motor vydává neobvyklý zvuk a neotáčí se nebo se otáčí velmi pomalu	<ol style="list-style-type: none"> <li>1. Spálený kontakt spínače</li> <li>2. Zablokované mechanické díly</li> <li>3. Axiální tlak přesahuje povolené zatížení</li> <li>4. Poškozený motor</li> <li>5. Napájecí napětí je příliš nízké</li> <li>6. Poškození kuželových ozubených kol</li> </ol>	<ol style="list-style-type: none"> <li>1. Vyměňte spínač</li> <li>2. Zkontrolujte mechanické díly</li> <li>3. Zmenšete axiální tlak</li> <li>4. Vyměňte motor</li> <li>5. Zajistěte správné napájecí napětí</li> <li>6. Vyměňte převody</li> </ol>
Nadměrný ohřev skříně převodovky	<ol style="list-style-type: none"> <li>1. Nedostatek maziva v převodovce nebo znečištěné mazivo</li> <li>2. Příliš utažené převody nebo nečistoty uvnitř převodovky</li> </ol>	<ol style="list-style-type: none"> <li>1. Doplňte nebo vyměňte mazivo</li> <li>2. Nastavte převody, vyměňte převody nebo odstraňte nečistoty</li> </ol>

### Ochranný kryt pro rozbrušování

- ☛ Při řezání pomocí pojených brusiv vždy používejte ochranný kryt pro rozbrušování 10.
- ☛ Zajistěte řádné odsávání prachu při řezání kamenů.

Ochranný kryt pro rozbrušování 10 je namontován stejným způsobem jako ochranný kryt pro broušení. 6 Řezací vodítko s ochranným krytem pro odvod prachu Toto řezací vodítko s ochranným krytem pro odvod prachu je upevněno stejným způsobem jako ochranný kryt pro broušení 6.

### Přídavná rukojeť

- ☛ Používejte toto nářadí pouze s přídavnou rukojetí 4.

V závislosti na typu prováděné práce našroubujte přídavnou rukojeť 4 na levou nebo pravou část hlavy nářadí.

### Kryt rukou

- ☛ Budete-li provádět práce s pryžovou brusnou podpěrou 13 nebo s miskovým kartáčem / drátěným kotoučem / lamelovým kotoučem, vždy na brusku namontujte kryt rukou 12.
- Kryt rukou 12 je spojen s předavnou rukojetí 4.

### Montáž brusného nářadí

- ☛ Před jakoukoli prací na tomto nářadí odpojte zástrčku jeho kabelu od zásuvky.
- ☛ Nedotýkejte se brusných nebo rozbrušovacích kotoučů, dokud nedojde k jejich úplnému vychladnutí. Tyto kotouče mohou být při práci velmi horké.

Očistěte hřídel brusky 5 a všechny montované části.

Při upínání a demontáži brusných kotoučů zajistěte hřídel brusky stisknutím zajišťovacího tlačítka hřídele 2.

- ☛ Používejte zajišťovací tlačítko hřídele pouze v situaci, je-li tento hřídel zcela zastaven. V jiném případě dojde k poškození nářadí.

### Brusný/rozbrušovací kotouč

Věnujte pozornost rozměrům brusných kotoučů. Průměr montážního otvoru musí odpovídat montážní přírubě bez jakékoli vřle. Nepoužívejte redukce nebo adaptéry.

Používáte-li diamantové rozbrušovací kotouče, dbejte na to, aby se směr šipky otáčení na diamantovém rozbrušovacím kotouči shodoval se směrem šipky otáčení na nářadí (viz šipka směru otáčení na hlavě nářadí).

Postup pro montáž, viz strana s obrázky.

Při upevňování brusného/rozbrušovacího kotouče našroubujte na hřídel upínací matici 9 a utáhněte ji pomocí klíče s dvěma kolíky.

- ☛ Po montáži brusného nástroje a před zapnutím nářadí zkontrolujte, zda je brusný nástroj správně namontován a zda se může volně otáčet. Ujistěte se, zda se brusný nástroj nedostává do kontaktu s částmi nářadí.

### Schválené brusné nástroje

Všechny brusné nástroje uvedené v těchto pokynech pro použití mohou být použity.

Povolené otáčky ( $\text{min}^{-1}$ ) nebo obvodové rychlosti ( $\text{m/s}$ ) použitých brusných nástrojů musí být minimálně stejné, jako jsou hodnoty uvedené v této tabulce.

Dodržujte proto přípustné otáčky/obvodové rychlosti uvedené na šířku brusného nástroje.

## 8. LIKVIDACE



Toto nářadí, nabíjecí baterie, příslušenství a obaly musí být tříděny, aby byla zajištěna jejich ekologická recyklace.

Nevyhazujte elektrické nářadí a baterie nebo nabíjecí baterie do běžného domácího odpadu!

### Pouze pro země z Evropské unie:



Podle evropské směrnice 2012/19/EU musí být elektrické nářadí, které již není dále používáno, a v souladu s evropskou směrnicí 2006/66/EC, musí být vadné nebo použité sady baterií/baterie, sbírány odděleně a likvidovány způsobem šetrným k životnímu prostředí.

### POKYNY A INFORMACE K LIKVIDACI VYŘAZENÝCH OBALOVÝCH MATERIÁLŮ

Odevzdejte všechny použité obalový materiál na místě, které je určeno úřadem pro likvidaci odpadu.

### LIKVIDACE VYŘAZENÝCH ELEKTRICKÝCH A ELEKTRONICKÝCH ZAŘÍZENÍ



Tento symbol na výrobcích nebo v přiložené dokumentaci znamená, že vyřazená elektrická nebo elektronická zařízení nesmí být vyhazována do běžného komunálního odpadu. Odevzdejte tyto výrobky na určených sběrných místech, kde bude provedena jejich správná likvidace, obnovení a recyklace. V některých státech Evropské unie nebo v některých evropských zemích můžete při nákupu odpovídajícího nového výrobku vrátit vaše výrobky místnímu prodejci. Správnou likvidací tohoto výrobku pomáháte chránit cenné přírodní zdroje a zabráníte možným negativním dopadům na životní prostředí a lidské zdraví, ke kterým by mohlo dojít v důsledku nesprávné likvidace odpadu. Další podrobnosti vám poskytnou místní úřady nebo nejbližší sběrný dvůr. V případě nesprávné likvidace tohoto druhu odpadu mohou být uloženy pokuty v souladu s platnými národními předpisy.

### Pro společnosti, které působí v zemích Evropské unie

Chcete-li zlikvidovat elektrická nebo elektronická zařízení, vyžádejte si potřebné informace od vašeho prodejce nebo dodavatele. Likvidace v zemích mimo Evropskou unii Chcete-li tento výrobek zlikvidovat, požádejte místní úřady nebo prodejce o nezbytné informace o způsobu likvidace.



Tento výrobek splňuje všechny základní požadavky všech příslušných směrnic EU.

Text, design a technické specifikace se mohou změnit bez předchozího upozornění a vyhrazujeme si právo na provádění těchto změn.

Uživatelské příručka v originálním jazyce.

## 9. PROHLÁŠENÍ O SHODĚ

# FAST®

**FAST ČR, a.s.**  
Černokostecká 1621, 251 01 Říčany, Czech Republic  
tel.: +420 323 204 111, Fax: +420 323 204 110

### EU DECLARATION OF CONFORMITY

**Product / brand:** Cordless Angle Grinder / **FIELDMANN**

**Type / model:** **FDUB 70605-0** as factory model SOM-WYT01-18Li-115  
DC 20V (battery powered), speed 7500/m<sup>1</sup>, diameter 115mm,  
Class III, IPX0  
L<sub>PA</sub> = 81,7dB(A), L<sub>WA</sub> = 92,7dB(A)

**Manufacturer:** FAST ČR, a.s.  
Černokostecká 2111, 100 00 Praha 10, Czech Republic  
VAT no: CZ26726548

**The product is inline with directives and regulations listed below:**

Directive MD 2006/42/EC  
Directive EMC 2014/30/EU  
Directive NEOF 2000/14/EC  
Directive RoHS 2011/65/EU

**and norms:**

EN 60745-1:2009+A11  
EN 60745-2-3:2011+A2+A11+A12+A13  
EN 55014-1:2017  
EN 55014-2:2015



**Place of issuance:** Prague

**Name:** Ing. Zdeněk Pech  
Chairman of the Board

**Date of issuance:** 22. 7. 2020

**Signature:**

**FAST®** FAST ČR, a.s.   
Černokostecká 1621, 251 01 Říčany  
IČO: 26726548 tel.: +420/ 323 204 111  
DIČ: CZ26726548 fax: +420/ 323 204 110

IČO: 26 72 65 48, DIČ: CZ-26 72 65 48

**Bankovní spojení:** Komerční banka Praha 1, č.ú. 89309011/0100, Česká spořitelna Praha 4, č.ú. 2375682/0800,  
CSOB Praha 1, č.ú. 8010-0116233383/0300



# Uhlová brúska **20V** FASTPOWER

## POUŽÍVATEĽSKÁ PRÍRUČKA

**Ďakujeme vám za kúpu tejto akumulátorovej uhlovej brúsky FIELDMANN. Pred jej použitím si, prosím, pozorne prečítajte túto používateľskú príručku a uschovajte ju na prípadné neskoršie použitie.**

## OBSAH

1. VŠEOBECNÉ BEZPEČNOSTNÉ POKYNY .....	34
2. ŠPECIFICKÉ BEZPEČNOSTNÉ POKYNY .....	34
3. PRÁCA S UHLOVOU BRÚSKOU .....	40
4. SYMBOLY .....	40
5. OPIS VÝROBKU A ŠPECIFIKÁCIA .....	41
6. TECHNICKÉ ÚDAJE .....	42
7. ÚDRŽBA A SERVIS .....	43
8. LIKVIDÁCIA .....	45
9. VYHLÁSENIE O ZHODE .....	46

# 1. VŠEOBECNÉ BEZPEČNOSTNÉ POKYNY

## **⚠ VAROVANIE!**

Pred použitím si pozorne prečítajte tento návod na obsluhu.

### **Dôležité bezpečnostné upozornenia**

- ✿ Výrobok opatrne vybalte a skontrolujte, či balenie obsahovalo všetky súčasti výrobku; dbajte na to, aby ste žiadnu z týchto súčastí nestratili.
- ✿ Výrobok uložte na suchom mieste, mimo dosahu detí.
- ✿ Prečítajte si všetky upozornenia a všetky pokyny. Nedodržanie upozornení a bezpečnostných pokynov môže mať za následok nehodu, požiar a/alebo vážne zranenie.

### **Balenie**

Výrobok je umiestnený v obale, ktorý zabraňuje jeho poškodeniu počas prepravy. Tento obal predstavuje druhotnú surovinu, a preto je potrebné ho odovzdať na recykláciu.

### **Pokyny na používanie**

Pred začatím práce s týmto náradím si prečítajte nasledujúce bezpečnostné pravidlá a pokyny na obsluhu. Dôkladne sa oboznámte s ovládacími prvkami tohto náradia a so správnym spôsobom ich používania. Návod uložte na bezpečnom mieste na neskoršie použitie. Odporúčame vám uschovať si aspoň počas platnosti záruky originálny obal vrátane vnútorných baliacich materiálov, účtenku a záručný list. V prípade nutnosti prepravy zabalte toto náradie do originálnej škatule dodanej výrobcom, čím bude zaistená maximálna ochrana výrobku počas tejto prepravy (napríklad v súvislosti so sťahovaním alebo odosielaním do servisného strediska).

- 📖 Poznámka:** Ak budete toto náradie odovzdávať ďalšiemu používateľovi, priložte k nemu aj návod. Dodržiavanie pokynov uvedených v tomto návode je nevyhnutným predpokladom riadneho spôsobu používania tohto náradia. Tento návod na použitie obsahuje okrem pokynov na obsluhu aj pokyny na vykonávanie údržby a opráv.

**Výrobca nenesie žiadnu zodpovednosť za nehody alebo škody spôsobené nedodržaním pokynov uvedených v tomto návode.**

# 2. ŠPECIFICKÉ BEZPEČNOSTNÉ POKYNY

**Tieto bezpečnostné pokyny si pozorne preštudujte, zapamätajte a uschovajte.**

## **⚠ UPOZORNENIE!**

Pri používaní elektrických strojov a elektrického náradia je nutné rešpektovať a dodržiavať nasledujúce bezpečnostné pokyny z dôvodov ochrany pred úrazom elektrickým prúdom, zranením osôb a nebezpečenstvom vzniku požiaru. Výrazom „elektrické náradie“ sa vo všetkých nižšie uvedených pokynoch myslí tak elektrické náradie napájané zo siete (napájacím káblom), ako aj náradie napájané z batérií (bez napájacieho kábla). Uschovajte všetky varovania a pokyny pre ďalšie použitie.

### **Pracovné prostredie**

- ✿ Udržujte pracovný priestor v čistom stave a dobre osvetlený. Neporiadok a tmavé miesta na pracovisku bývajú príčinou úrazov. Upracte náradie, ktoré práve nepoužívate.

- ☛ Nepoužívajte elektrické náradie v prostredí s nebezpečenstvom vzniku požiaru alebo výbuchu, to znamená v miestach, kde sa vyskytujú horľavé kvapaliny, plyny alebo prach. V elektrickom náradí vzniká na komutátore iskrenie, ktoré môže byť príčinou vznietenia prachu alebo výparov.
- ☛ Pri používaní el. náradia zamedzte prístupu nepovolaných osôb, najmä deťí, do pracovného priestoru! Ak budete vyrušovaní, môžete stratiť kontrolu nad vykonávanou činnosťou. V žiadnom prípade nenechávajte el. náradie bez dohľadu. Zamedzte zvieratám prístup k zariadeniu.

### Elektrická bezpečnosť

- ☛ Vidlica napájacieho kábla elektrického náradia musí zodpovedať sieťovej zásuvke. Nikdy akýmkoľvek spôsobom neupravujte vidlicu. K náradíu, ktoré má na vidlici napájacieho kábla ochranný kolík, nikdy nepoužívajte rozvodky ani iné adaptéry. Nepoškodené vidlice a zodpovedajúce zásuvky obmedzia nebezpečenstvo úrazu elektrickým prúdom. Poškodené alebo zamotané napájacie káble zvyšujú nebezpečenstvo úrazu elektrickým prúdom. Ak je sieťový kábel poškodený, je nutné ho nahradiť novým sieťovým káblom, ktorý je možné získať v autorizovanom servisnom stredisku alebo u dovozcu.
- ☛ Vyvarujte sa dotyku tela s uzemnenými predmetmi, ako napr. potrubie, telesá ústredného kúrenia, sporáky a chladničky. Nebezpečenstvo úrazu elektrickým prúdom je väčšie, ak je vaše telo spojené so zemou.
- ☛ Nevystavujte elektrické náradie dažďu, vlhku alebo mokru. Elektrického náradia sa nikdy nedotýkajte mokrými rukami. Elektrické náradie nikdy neumývajte pod tečúcou vodou ani ho neponárajte do vody.
- ☛ Nepoužívajte napájací kábel na iný účel, než na aký je určený. Nikdy nenoste a neťahajte elektrické náradie za napájací kábel. Nevytahujte vidlicu zo zásuvky ťahom za kábel. Zabráňte mechanickému poškodeniu elektrických káblov ostrými alebo horúcimi predmetmi.
- ☛ El. náradie bolo vyrobené výlučne na napájanie striedavým el. prúdom. Vždy skontrolujte, či elektrické napätie zodpovedá údaju uvedenému na typovom štítku náradia. Nikdy nepracujte s náradím, ktoré má poškodený el. kábel alebo vidlicu, alebo spadlo na zem a je akýmkoľvek spôsobom poškodené.
- ☛ V prípade použitia predlžovacieho kábla vždy skontrolujte, či jeho technické parametre zodpovedajú údajom uvedeným na typovom štítku náradia. Ak sa elektrické náradie používa vonku, používajte predlžovací kábel vhodný na vonkajšie použitie. Pri použití predlžovacích bubnov je nutné ich rozvinúť, aby nedochádzalo k prehriatiu kábla.
- ☛ Ak sa elektrické náradie používa vo vlhkých priestoroch alebo vonku, je povolené ho používať iba vtedy, ak je zapojené do el. obvodu s prúdovým chráničom  $\leq 30$  mA. Použitie el. obvodu s chráničom /RCD/ znižuje riziko úrazu elektrickým prúdom.
- ☛ Ručné el. náradie držte výhradne za izolované plochy určené na uchopenie, pretože pri prevádzke môže dôjsť ku kontaktu rezacieho či ťvacieho príslušenstva so skrytým vodičom alebo s napájacou šnúrou náradia.

### Bezpečnosť osôb

- ☛ Pri používaní elektrického náradia buďte pozorní a ostražití, venujte maximálnu pozornosť činnosti, ktorú práve vykonávate. Sústreďte sa na prácu. Nepracujte s elektrickým náradím, ak ste unavení, alebo ak ste pod vplyvom drog, alkoholu alebo liekov. Aj chvilková nepozornosť pri používaní elektrického náradia môže viesť k vážnemu poraneniu osôb. Pri práci s el. náradím nejedzte, nepite a nefajčite.
- ☛ Používajte ochranné pomôcky. Vždy používajte ochranu zraku. Používajte ochranné prostriedky zodpovedajúce druhu práce, ktorú vykonávate. Ochranné pomôcky, ako napr. respirátor, bezpečnostná obuv s protisklzovou úpravou, pokrývka hlavy alebo ochrana sluchu používané v súlade s podmienkami práce znižujú riziko poranenia osôb.
- ☛ Vyvarujte sa neúmyselného zapnutia náradia. Neprenášajte náradie, ktoré je pripojené k elektrickej sieti, s prstom na spínači alebo na spúšti. Pred pripojením k elektrickému napájaniu sa uistite, že spínač alebo

spúšťa sú v polohe „vypnuté“. Prenášanie náradia s prstom na spínači alebo zapájanie vidlice náradia do zásuvky so zapnutým spínačom môže byť príčinou vážnych úrazov.

- ✿ Pred zapnutím náradia odstráňte všetky nastavovacie kľúče a nástroje. Nastavovací kľúč alebo nástroj, ktorý zostane pripustený k otáčajúcej sa časti elektrického náradia môže byť príčinou poranenia osôb.
- ✿ Vždy udržiajte stabilný postoj a rovnováhu. Pracujte len tam, kam bezpečne dosiahnete. Nikdy neprepeňujte vlastnú silu. Nepoužívajte elektrické náradie, ak ste unavení.
- ✿ Obliekajte sa vhodným spôsobom. Používajte pracovný odev. Nenoste voľné odevy ani šperky. Dbajte na to, aby sa vaše vlasy, odev, rukavice alebo iná časť vášho tela nedostala do prílišnej blízkosti rotujúcich alebo rozpálených častí el. náradia.
- ✿ Pripojte zariadenie na odsávanie prachu. Ak má náradie možnosť pripojenia zariadenia na zachytávanie alebo odsávanie prachu, zaistíte, aby došlo k jeho riadnemu pripojeniu a používaniu. Použitie týchto zariadení môže obmedziť nebezpečenstvo vznikajúce prachom.
- ✿ Pevne upevnite obrobok. Použite stolársku zvierku alebo zverák na upevnenie dielu, ktorý budete obrábať.
- ✿ Nepoužívajte elektrické náradie, ak ste pod vplyvom alkoholu, drog, liekov alebo iných omamných či návykových látok.
- ✿ Toto zariadenie nie je určené na použitie osobami (vrátane detí) so zníženými fyzickými, zmyslovými alebo mentálnymi schopnosťami alebo s nedostatkom skúseností a znalostí, ak nie sú pod dozorom alebo nedostali pokyny s ohľadom na použitie zariadenia od osoby zodpovednej za ich bezpečnosť. Deti musia byť pod dozorom, aby ste sa uistili, že sa nehrajú so zariadením.

### Používanie akumulátorového náradia

- ✿ Pred vložením akumulátora sa presvedčte, že je vypínač v polohe „0-vypnuté“. Vloženie akumulátora do zapnutého náradia môže byť príčinou nebezpečných situácií.
- ✿ Na nabíjanie akumulátorov používajte iba nabíjačky predpísané výrobcom. Použitie nabíjačky pre iný typ akumulátora môže mať za následok jeho poškodenie a vznik požiaru.
- ✿ Používajte iba akumulátory určené pre dané náradie. Použitie iných akumulátorov môže byť príčinou zranenia alebo vzniku požiaru.
- ✿ Ak sa akumulátor nepoužíva, uchovávajte ho oddelene od kovových predmetov, ako sú svorky, kľúče, skrutky a iné drobné kovové predmety, ktoré by mohli spôsobiť spojenie jedného kontaktu akumulátora s druhým. Skratovanie akumulátora môže zapríčiniť zranenie, popáleniny alebo vznik požiaru.
- ✿ S akumulátormi zaobchádzajte šetrne. Pri nešetrnom zaobchádzaní môže z akumulátora uniknúť chemická látka. Vyvarujte sa kontaktu s touto látkou a ak aj napriek tomu dôjde ku kontaktu, vymyte postihnuté miesto prúdom tečúcej vody. Ak sa chemická látka dostane do očí, vyhľadajte ihneď lekársku pomoc. Chemická látka z akumulátora môže spôsobiť vážne poranenia.

### Servis

- ✿ Nevymieňajte časti náradia, nevykonávajte sami opravy, ani iným spôsobom nezasahujte do konštrukcie náradia. Opravy náradia zverte kvalifikovaným osobám.
- ✿ Každá oprava alebo úprava výrobku bez oprávnenia našou spoločnosťou je neprípustná (môže spôsobiť úraz alebo škodu používateľovi).
- ✿ Elektrické náradie vždy nechajte opraviť v certifikovanom servisnom stredisku. Používajte iba originálne alebo odporúčané náhradné diely. Zaistíte tak bezpečnosť svoju aj vášho náradia.

### Spätný ráz a príslušné varovania

- ✿ Spätný ráz je náhlou reakciou na priškripanie alebo zaseknutie rotujúceho kotúča, podpernej podložky, kefy alebo iného príslušenstva. Zablokovanie alebo zaseknutie spôsobuje náhle zastavenie rotujúceho

príslušenstva, čo následne spôsobí nekontrolovateľný pohyb náradia v opačnom smere, než je smer otáčania príslušenstva v mieste jeho zablokovania.

Ak dôjde napríklad k zablokovaniu alebo zaseknutiu brúsneho kotúča v obrotku, pracovná hrana kotúča, ktorá vniká do bodu zaseknutia, môže vniknúť do povrchu materiálu, čo spôsobí stúpanie pracovného nástroja alebo spätný ráz. Kotúč môže vyskočiť smerom k používateľovi alebo od používateľa v závislosti od smeru otáčania kotúča v bode jeho zablokovania. V týchto podmienkach môže tiež dôjsť k prasknutiu brúsnych kotúčov.

Spätný ráz je dôsledkom nesprávneho použitia náradia, nesprávneho pracovného postupu alebo nevhodných prevádzkových podmienok a spätnému rázu sa môže zabrániť dodržiavaním nižšie uvedených pokynov.

- ✿ Stále udržiajte pevný úchop náradia a udržiajte takú polohu tela a rúk, aby ste mohli odolávať silám spätného rázu. Vždy používajte prídavnú rukoväť, ak je k dispozícii, aby bola zaručená maximálna kontrola nad spätným rázom alebo nad momentovou reakciou počas spúšťania. Obsluha môže ovládať momentové reakcie alebo sily spätného rázu, ak sa vykonávajú náležité preventívne opatrenia.
- ✿ Nikdy nekladajte ruky do blízkosti rotujúceho príslušenstva. Príslušenstvo môže byť vymrštené smerom dozadu cez vaše ruky.
- ✿ Nestúpajte si na také miesta, do ktorých by bolo náradie vymrštené v prípade spätného rázu. Spätný ráz odhodí náradie v opačnom smere, než je pohyb pracovného nástroja v mieste jeho zablokovania.
- ✿ Buďte veľmi opatrní pri práci v blízkosti rohov, ostrých hrán atď. Vyvarujte sa odskakovania a zachytávania príslušenstva. Rohy, ostré hrany alebo poskakovanie pracovného príslušenstva majú tendenciu zachytávať rotujúce príslušenstvo a spôsobí stratu kontroly alebo spätný ráz.
- ✿ Nepoužívajte pilovú refaz, kotúče na obrábanie dreva alebo ozubené pilové kotúče. Takéto kotúče vytvárajú riziko spätného rázu a straty kontroly nad náradím.

**⚠ VAROVANIE!** Pred použitím si, prosím, pozorne prečítajte tieto bezpečnostné pokyny a uložte ich na bezpečnom mieste.

- ✿ Pri nedodržaní pokynov uvedených v tomto návode hrozí nebezpečenstvo spôsobenia zranenia.
- ✿ Táto uhlová brúška spĺňa požiadavky platných technických predpisov a noriem.
- ✿ Nepoužívajte iné príslušenstvo okrem brúsnych, rezacích a diamantových kotúčov.
- ✿ Nikdy nepoužívajte toto náradie bez bezpečnostnej sieťky.
- ✿ Vždy používajte ochranu zraku (ochranné okuliare alebo ochranný štít) a ochranu sluchu.
- ✿ Nepoužívajte žiadne rezné a brúsne kotúče na bočné brúsenie.
- ✿ Pri práci v prašnom prostredí sa uistite, či nie sú vetracie otvory zanesené nečistotami.
- ✿ Pri rezaní do stien skontrolujte, či sa za týmito stenami nenachádza žiadne elektrické vedenie (pomocou detektora kovov).
- ✿ Nikdy nechladte brúsny kotúč vodou.
- ✿ Po obrábaní sa nedotýkajte opracovanej hrany, pretože môže byť horúca.
- ✿ Nikdy neupevňujte túto brúsku k pracovnému stolu.
- ✿ Uistite sa, či sú prevádzkové otáčky uvedené na brúsnom kotúči vyššie alebo rovnaké ako otáčky, ktoré sú uvedené na typovom štítku tejto brúsky.
- ✿ Nerežte žiadne materiály, ktoré vyžadujú rez s maximálnou šírkou presahujúcou hĺbku brúsneho kotúča.
- ✿ Nerežte a nebrúste ľahké kovy s obsahom horčíka väčším než 80 %, pretože sú takéto kovy horľavé.
- ✿ Uistite sa, či má brúsny kotúč správne rozmery a či je správne namontovaný na hriadeľ brúsky.
- ✿ Manipulujte s brúsnymi kotúčmi veľmi opatrne a v súlade s pokynmi dodanými s týmito brúsnymi kotúčmi.
- ✿ Kontrolujte brúsny kotúč pred každým použitím.
- ✿ Nepoužívajte brúsne kotúče, ktoré sú prasknuté alebo inak poškodené.

- ✿ Uistite sa, či je brúsny kotúč namontovaný podľa uvedených pokynov.
- ✿ Po montáži brúsneho kotúča nechajte brúsku v chode vo voľnobežných otáčkach na bezpečnom mieste. Ak dochádza pri brúske k veľkým vibráciám alebo ak vykazuje brúsny kotúč viditeľné poškodenie, ihneď brúsku vypnite a pokúste sa zistiť príčinu.
- ✿ Nepoužívajte žiadne redukcie alebo iné prídavné prvky na montáž brúsneho kotúča určené pre rôzne priemery hriadeľov.
- ✿ Zaisťte, aby bol obrobok zodpovedajúcim spôsobom opretý alebo upevnený. Nikdy nepoužívajte brúsny kotúč na odstraňovanie ostrapov.
- ✿ Zaisťte, aby sa zabránilo tomu, aby prúd iskier zasahoval iné osoby alebo aby spôsobil vznietenie horľavých materiálov.
- ✿ Ak stojí niekto v osi s brúsnym kotúčom, vykonajte vhodné ochranné opatrenia. Zaisťte, aby došlo k vyčisteniu pracovného priestoru vo vašej blízkosti.
- ✿ Stláčajte zaisťovacie tlačidlo kotúča (3) iba po úplnom zastavení motora a hriadeľa brúsky!
- ✿ Pamätajte, že z dôvodu zotrvačnosti bude brúsny kotúč po vypnutí brúsky ešte chvíľu pokračovať v otáčaní.
- ✿ Vždy používajte prídavnú rukoväť dodávanú s týmto náradím. Strata kontroly nad elektrickým náradím môže viesť k spôsobeniu zranenia.

**⚠ VAROVANIE!** Používajte ochranné prostriedky proti hluku, prachu a vibráciám!!!

**⚠ VAROVANIE!** Uschovajte tieto bezpečnostné pokyny!!!

## Bezpečnostné výstrahy pre brúsenie a rozbrusovanie

### Rozbrusovacie práce

- ✿ Používajte iba typy kotúčov, ktoré sa odporúčajú pre vaše náradie a špecifický ochranný kryt navrhnutý pre zvolený kotúč. Kotúče, pre ktoré nie je toto elektrické náradie určené, nemôžu byť zodpovedajúcim spôsobom chránené a sú nebezpečné.
- ✿ Brúsna plocha kotúčov s prehĺbeným stredom musí byť namontovaná pod rovinou okraja ochranného krytu. Nesprávne namontovaný kotúč, ktorý prečnieva cez rovinu okraja ochranného krytu, nemôže byť zodpovedajúcim spôsobom chránený.
- ✿ Ochranný kryt musí byť bezpečne upevnený k náradiu a musí byť umiestnený tak, aby bola zaručená maximálna bezpečnosť a aby na používateľa smerovala čo najmenšia časť nekrytého kotúča. Ochranný kryt pomáha chrániť obsluhu pred úlomkami kotúča, náhodným kontaktom s kotúčom a iskrami, ktoré by mohli spôsobiť vznietenie odevu.
- ✿ Kotúče sa môžu používať iba na odporúčané práce. Nebrúste napríklad bočné časti rozbrusovacieho kotúča. Abrázívne rozbrusovacie kotúče sú určené na obvodové brúsenie a bočné sily pôsobiace na tieto kotúče môžu spôsobiť ich zničenie.
- ✿ Vždy používajte nepoškodené príruby kotúča, ktoré majú správnu veľkosť a tvar pre zvolený kotúč. Správne príruby podopierajú kotúč, a tak obmedzujú možnosť prasknutia tohto kotúča. Príruby pre rozbrusovacie kotúče sa môžu líšiť od prírub pre brúsne kotúče.
- ✿ Nepoužívajte opotrebované zosilnené kotúče z väčších elektrických brúsok. Kotúče určené pre väčšie elektrické náradie nie sú vhodné pre vyššie otáčky menšieho náradia, a preto môžu prasknúť. Ďalšie bezpečnostné výstrahy špecifické pre abrazívne rozbrusovacie práce.
- ✿ Zabráňte zablokovaniu rozbrusovacieho kotúča a nevyvíjajte na rozbrusovací kotúč nadmerný tlak. Nepokúšajte sa vykonávať nadmernú hĺbku rezu. Nadmerné zaťaženie zvyšuje záťaž a náchylnosť ku skrúteniu alebo zablokovaniu kotúča v reze a zvyšuje možnosť spätného rázu alebo zlomenia kotúča.
- ✿ Nestúpajte si do osi rotujúceho kotúča a za rotujúci kotúč. Ak sa pohybuje kotúč v mieste pracovnej operácie smerom od vášho tela, možný spätný ráz môže odhodíť rotujúci kotúč a elektrické náradie priamo na vás.

- ✿ Ak dôjde k zablokovaniu kotúča alebo ak dôjde z akéhokoľvek dôvodu k prerušeniu rezu, vypnite náradie a držte toto náradie bez pohybu, kým sa kotúč celkom nezastaví. Nikdy sa nepokúšajte vybrať rozbrusovací kotúč z rezu, ak je tento kotúč v pohybe, pretože by mohlo dôjsť k spätnému rázu. Predvídajte a vykonávajte nápravné opatrenia, aby ste odstránili príčinu zablokovania kotúča.
- ✿ Nespúšťajte opätovne rez v obrobku. Nechajte kotúč dosiahnuť maximálne otáčky a opatrne ho zavedte späť do rezu. Ak dôjde k opätovnému spusteniu brúsky v obrobku, kotúč sa môže zablokovať, môže vyskočiť smerom hore alebo môže dôjsť k spätnému rázu.
- ✿ Podoprite panely alebo iné nadmerné obrobky tak, aby ste minimalizovali riziko zablokovania a spätného rázu kotúča. Veľké obrobky majú tendenciu sa prehýbať pôsobením vlastnej hmotnosti. Podpery musia byť umiestnené pod obrobkom v blízkosti čiary rezu a v blízkosti okrajov obrobku na oboch stranách kotúča.
- ✿ Pri vykonávaní zárezov do existujúcich stien alebo do iných miest, za ktoré nevidíte, buďte veľmi opatrní. Vyčnievajúci kotúč môže prerezať plynové alebo vodovodné potrubie, elektrické vodiče alebo predmety, ktoré môžu spôsobiť spätný ráz.  
Bezpečnostné výstrahy špecifické pre brúsne práce
- ✿ Nepoužívajte nadmerne veľké brúsne papiere. Pri výbere brúsneho papiera dodržujte pokyny a odporúčania výrobcu. Väčší brúsny papier presahujúci za okraj brúsnej podložky predstavuje riziko spôsobenia tržnej rany a môže spôsobiť zachytenie, roztrhnutie kotúča alebo spätný ráz.  
Bezpečnostné výstrahy špecifické pre práce s drôtenými kotúčmi
- ✿ Uvedomte si, že k uvoľňovaniu jednotlivých drôtov z drôteného kotúča dochádza aj pri bežnej prevádzke. Nepreťažujte drôtené kotúče ich nadmerným zaťažením. Úlomky drôtov môžu ľahko preniknúť ľahkým odevom alebo do pokožky.
- ✿ Ak sa na práce s drôteným kotúčom odporúča použitie krytu, nedovoľte, aby došlo ku kontaktu drôteného kotúča alebo kefy s týmto krytom. Drôtený kotúč alebo kefa môže pôsobením pracovného zaťaženia a odstredivých síl zväčšiť svoj priemer.

### 3. PRÁCA S UHLOVOU BRÚSKOU

- ✿ Optimálny uhol kotúča vzhľadom na obrobok je 150°.
- ✿ Udržujte čo najväčšiu vzdialenosť medzi kotúčom a používateľom brúsky.
- ✿ Vytvárajte na kotúč iba mierny tlak a žiadne bočné zaťaženie. Dodržujte smer otáčania a dávajte pozor na odlietavajúce iskry.
- ✿ Zabráňte klepaniu obrobku.
- ✿ Hneď ako bude priemer kotúča menší než 80 mm, vymeňte kotúč.

### 4. SYMBOLY



Tento výrobok spĺňa požiadavky platných noriem a predpisov.



Pred použitím si pozorne prečítajte návod na obsluhu.



Používajte ochranu zraku



Používajte ochranu sluchu



Závit hriadeľa: M14



## 5. OPIS VÝROBKU A ŠPECIFIKÁCIA



Prečítajte si všetky bezpečnostné výstrahy a všetky pokyny. Ak nebudete dodržiavať všetky uvedené výstrahy a pokyny, môže dôjsť k úrazu spôsobenému elektrickým prúdom, k požiaru alebo k vážnemu zraneniu.

### Určené použitie

Toto náradie je určené na rezanie, brúsenie a kefovanie kovových a kamenných materiálov bez použitia vody. Pri rezaní pomocou spojených brúsiv sa musí použiť špeciálny ochranný kryt na rezanie (príslušenstvo).

Pri rezaní kameňov zaistíte použitie účinného odsávania prachu. So schváleným brúsnym nástrojom sa môže táto brúska použiť na brúsenie brúsnymi kotúčmi.

### Popis výrobku

Číslovanie pri opise tohto výrobku sa vzťahuje na obrázky tohto náradia na grafickej stránke.

1. Uvoľňovacia páčka ochranného krytu
2. Tlačidlo zaistenia hriadeľa
3. Spínač zapnuté/vypnuté
4. Prídavná rukoväť
5. Hriadeľ brúsky
6. Ochranný kryt na brúsenie
7. Montážna príručka
8. Brúsný kotúč (súčasť dodávky)
9. Upínacia matica
10. Ochranný kryt na rezanie (nie je súčasťou dodávky)
11. Rozbrusovací kotúč (nie je súčasťou dodávky)
12. Šípka smeru otáčania na kryte náradia

Okrem bezpečného používania náradia musíte dodržiavať aj nasledujúce:

1. Pred použitím brúsný kotúč starostlivo skontrolujte. Na brúsnom kotúči nesmú byť žiadne praskliny.
2. Pred použitím tejto uhlovej brúsky skontrolujte, či smer otáčania brúsneho kotúča zodpovedá smeru šípky, ktorá je vyznačená na ochrannom kryte hlavy redukčnej prevodovky.
3. V priebehu brúsenia netlačte na náradie príliš silne a nedovoľte, aby dochádzalo k nárazom brúsneho kotúča, pretože by prasknutý brúsný kotúč mohol spôsobiť zranenie. Ak používate túto brúsku na rezanie, nenastavujte brúsný kotúč do vodorovnej roviny.
4. Ak používate túto brúsku ako leštičku a ak dôjde k akejkoľvek z nasledujúcich situácií, náradie musí byť okamžite vypnuté, aby mohla byť zistená príčina problému. Po vykonaní bežnej údržby sa môže toto náradie znovu použiť.
  - ① Diely prevodovky sú zablokované, otáčky motora náhle klesnú a náradie sa zastaví.
  - ② Ak zistíte, že sa objaví abnormálny zvuk, ak dôjde k príliš veľkému zvýšeniu teploty alebo ak sa objaví zápach.
  - ③ Ak zistíte, že došlo k prasknutiu brúsneho kotúča.
  - ④ Ak zistíte, že dochádza k príliš veľkému iskreniu komutátora a ak sa objaví prsteneček iskier.

**Správna obsluha a použitie uhlovej brúsky**

1. Pri práci s touto brúskou ako s leštičkou sa musí toto náradie najskôr spustiť a potom sa musí dostať do kontaktu s obrobkom. Dokončíte prácu, zdvihnite náradie z obrobku a odpojte náradie od napájania. Pri práci sa musí na obrobok vyvíjať rovnomerný tlak. Nepôsobte na obrobok príliš veľkou silou.
2. Aby sa dosiahli dobré pracovné výsledky, rovina brúsneho kotúča a pracovná brúsna plocha musia, pokiaľ možno, zviazať uhol 15° až 30°. Ak sa táto uhlová brúska používa na rezanie, musí sa tlačiť pozdĺž roviny rozbrusovacieho kotúča. Nerobte pohyb doľava a doprava, aby nedošlo k poškodeniu brúsneho kotúča.
3. Pri brúsení obrobkov z rôznych materiálov si musíte zvoliť brúsne kotúče s rôznou presnosťou a tvrdosťou, aby bola zaručená požadovaná účinnosť brúsenia. Všeobecne vykonajte voľbu nasledovne:
  - (1) hrubé brúsenie odliatok, výber z brúsnych kotúčov 12#~16#,
  - (2) čistenie odliatok, liatiny, výber z brúsnych kotúčov 16#~24#,
  - (3) leštenie zvarov, brúsenie povrchov, výber z brúsnych kotúčov 36#~46#.
4. Pri práci používajte ochranné okuliare.

**6. TECHNICKÉ ÚDAJE**

Model	FDUB 70605-0
Menovité napätie	20 V
Otáčiky naprázdno	7 500 ot./min ± 10 %
Maximálny priemer kotúča	115 mm
Závit hriadeľa	M14
Priemer upínacieho otvoru brúsneho kotúča	22,2 mm

**Príslušenstvo**

Číslo položky	Príslušenstvo
FDUZ 79020	Batéria 2 Ah
FDUZ 79040	Batéria 4 Ah
FDUZ 79100	Rýchla nabíjačka
FDUZ 79110	Rýchla dvojitá nabíjačka

## 7. ÚDRŽBA A SERVIS

### Údržba uhlovej brúsky

1. Udržujte čisté vetracie otvory a pravidelne odstraňujte nahromadené nečistoty.
2. Minimálne raz za štvrt roka vykonávajte komplexnú kontrolu a doplňte mazivo. Musí sa tiež zaistiť, aby zmeraná hodnota izolačného odporu nebola nižšia než 7 MΩ. Ak je menšia než 7 MΩ, práca sa musí vykonávať v suchom prostredí.

Bežné poruchy a spôsoby údržby tejto uhlovej brúsky sú používateľom tohto náradia opísané v nasledujúcej tabuľke.

Zistený problém	Pravdepodobná príčina	Postupy pre údržbu a opravy
Po zapnutí nedôjde k spusteniu motora	<ol style="list-style-type: none"> <li>1. Nie je k dispozícii napájacie napätie</li> <li>2. Zlý kontakt alebo nefunkčný spínač</li> <li>3. Uhlík nie je v kontakte s povrchom komutátora</li> <li>4. Poškodená kotva alebo cievka statora</li> </ol>	<ol style="list-style-type: none"> <li>1. Zaisťte napájacie napätie</li> <li>2. Opravte alebo vymeňte spínač</li> <li>3. Nastavte tlak a polohu kladnej pružiny uhlíka tak, aby bol uhlík v riadnom kontakte s povrchom komutátora</li> <li>4. Ak došlo k prerušeniu na výstupe, môže sa použiť po opätovnom prispájkovaní. V inom prípade sa musí previnúť alebo vymeniť</li> </ol>
Elektrický motor vydáva neobvyklý zvuk a neotáča sa alebo sa otáča veľmi pomaly	<ol style="list-style-type: none"> <li>1. Spálený kontakt spínača</li> <li>2. Zablokované mechanické diely</li> <li>3. Axiálny tlak presahuje povolené zaťaženie</li> <li>4. Poškodený motor</li> <li>5. Napájacie napätie je príliš nízke</li> <li>6. Poškodenie kuželových ozubených kolies</li> </ol>	<ol style="list-style-type: none"> <li>1. Vymeňte spínač</li> <li>2. Skontrolujte mechanické diely</li> <li>3. Zmenšite axiálny tlak</li> <li>4. Vymeňte motor</li> <li>5. Zaisťte správne napájacie napätie</li> <li>6. Vymeňte prevody</li> </ol>
Nadmerný ohrev skrine prevodovky	<ol style="list-style-type: none"> <li>1. Nedostatok maziva v prevodovke alebo znečistené mazivo</li> <li>2. Príliš utiahnuté prevody alebo nečistoty vnútri prevodovky</li> </ol>	<ol style="list-style-type: none"> <li>1. Doplňte alebo vymeňte mazivo</li> <li>2. Nastavte prevody, vymeňte prevody alebo odstráňte nečistoty</li> </ol>

### Ochranný kryt na rozbrusovanie

- ☛ Pri rezaní pomocou spojených brúsiv vždy používajte ochranný kryt na rozbrusovanie 10.
- ☛ Zaisťte riadne odsávanie prachu pri rezaní kameňov.

Ochranný kryt na rozbrusovanie 10 je namontovaný rovnakým spôsobom ako ochranný kryt na brúsenie. 6  
 Rezacie vodidlo s ochranným krytom na odvod prachu Toto rezacie vodidlo s ochranným krytom na odvod prachu je upevnené rovnakým spôsobom ako ochranný kryt na brúsenie 6.

### Prídavná rukoväť

- ☛ Používajte toto náradie iba s prídavnou rukoväťou 4.

V závislosti od typu vykonávanej práce naskrutkujte prídavnú rukoväť 4 na ľavú alebo pravú časť hlavy náradia.

### Kryt rúk

- ☛ Ak budete vykonávať práce s gumovou brúsnou podperou 13 alebo s miskovou kefou/drôteným kotúčom/ lamelovým kotúčom, vždy na brúsku namontujte kryt rúk 12.
- Kryt rúk 12 je spojený s prídavnou rukoväťou 4.

### Montáž brúsneho náradia

- ☛ Pred akoukoľvek prácou na tomto náradí odpojte zástrčku jeho kábla od zásuvky.
- ☛ Nedotýkajte sa brúsnych alebo rozbrusovacích kotúčov, kým nedôjde k ich úplnému vychladnutiu. Tieto kotúče môžu byť pri práci veľmi horúce.

Očistite hriadeľ brúsky 5 a všetky montované časti.

Pri upínaní a demontáži brúsnych kotúčov zaistite hriadeľ brúsky stlačením zaistovacieho tlačidla hriadeľa 2.

- ☛ Používajte zaistovacie tlačidlo hriadeľa iba v situácii, ak je tento hriadeľ celkom zastavený. V inom prípade dôjde k poškodeniu náradia.

### Brúsný/rozbrusovací kotúč

Venujte pozornosť rozmerom brúsnych kotúčov. Priemer montážneho otvoru musí zodpovedať montážnej prírubke bez akejkoľvek vôle. Nepoužívajte redukcie alebo adaptéry.

Ak používate diamantové rozbrusovacie kotúče, dbajte na to, aby sa smer šípky otáčania na diamantovom rozbrusovacom kotúči zhodoval so smerom šípky otáčania na náradí (pozrite šípku smeru otáčania na hlave náradia).

Postup pre montáž, pozrite stranu s obrázkami.

Pri upevňovaní brúsneho/rozbrusovacieho kotúča naskrutkujte na hriadeľ upínaciu maticu 9 a utiahnite ju pomocou kľúča s dvoma kolíkmi.

- ☛ Po montáži brúsneho nástroja a pred zapnutím náradia skontrolujte, či je brúsný nástroj správne namontovaný a či sa môže voľne otáčať. Uistite sa, či sa brúsný nástroj nedostáva do kontaktu s časťami náradia.

### Schválené brúsne nástroje

Všetky brúsne nástroje uvedené v týchto pokynoch na použitie sa môžu použiť.

Povolené otáčky ( $\text{min}^{-1}$ ) alebo obvodové rýchlosti ( $\text{m/s}$ ) použitých brúsnych nástrojov musia byť minimálne rovnaké, ako sú hodnoty uvedené v tejto tabuľke.

Dodržiňte preto príslušné otáčky/obvodové rýchlosti uvedené na štítku brúsneho nástroja.

## 8. LIKVIDÁCIA



Toto náradie, nabíjacia batéria, príslušenstvo a obaly sa musia triediť, aby bola zaistená ich ekologická recyklácia.

Nevyhadzujte elektrické náradie a batérie alebo nabíjacie batérie do bežného domového odpadu!

### Iba pre krajiny z Európskej únie:



V súlade s európskymi smernicami 2012/19/EÚ a 2006/66/EC sa musí elektrické náradie, ktoré sa už ďalej nepoužíva, a takisto chybné alebo použité súpravy batérií/batérie, zbierať oddelene a likvidovať spôsobom šetrným k životnému prostrediu.

### POKYNY A INFORMÁCIE PRE LIKVIDÁCIU VYRADENÝCH OBALOVÝCH MATERIÁLOV

Odovzdajte všetok použitý obalový materiál na mieste, ktoré je určené úradom na likvidáciu odpadu.

### LIKVIDÁCIA VYRADENÝCH ELEKTRICKÝCH A ELEKTRONICKÝCH ZARIADENÍ



Tento symbol na výrobkoch alebo v priloženej dokumentácii znamená, že vyradené elektrické alebo elektronické zariadenia sa nesmú vyhadzovať do bežného komunálneho odpadu. Odovzdajte tieto výrobky na určených zberných miestach, kde sa vykoná ich správna likvidácia, obnovenie a recyklácia. V niektorých štátoch Európskej únie alebo v niektorých európskych krajinách môžete pri nákupe zodpovedajúceho nového výrobku vrátiť vaše výrobky miestnemu predajcovi. Správnu likvidáciu tohto výrobku pomáhate chrániť cenné prírodné zdroje a zabrániť možným negatívnym dopadom na životné prostredie a ľudské zdravie, ku ktorým by mohlo dôjsť v dôsledku nesprávnej likvidácie odpadu. Ďalšie podrobnosti vám poskytnú miestne úrady alebo najbližší zberný dvor. V prípade nesprávnej likvidácie tohto druhu odpadu sa môžu uložiť pokuty v súlade s platnými národnými predpismi.

### Pre spoločnosti, ktoré pôsobia v krajinách Európskej únie

Ak chcete zlikvidovať elektrické alebo elektronické zariadenia, vyžiadajte si potrebné informácie od vášho predajcu alebo dodávateľa. Likvidácia v krajinách mimo Európskej únie. Ak chcete tento výrobok zlikvidovať, požiadajte miestne úrady alebo predajcu o nevyhnutné informácie o spôsobe likvidácie.



Tento výrobok spĺňa všetky základné požiadavky všetkých príslušných smerníc EÚ.

Text, dizajn a technické špecifikácie sa môžu zmeniť bez predchádzajúceho upozornenia a vyhradujeme si právo na vykonávanie týchto zmien.

Preklad originálneho návodu na použitie.

## 9. VYHLÁŠENIE O ZHODE

# FAST®

**FAST ČR, a.s.**  
Černokostecká 1621, 251 01 Říčany, Czech Republic  
tel.: +420 323 204 111, Fax: +420 323 204 110

### EU DECLARATION OF CONFORMITY

**Product / brand:** Cordless Angle Grinder / **FIELDMANN**

**Type / model:** **FDUB 70605-0** as factory model SOM-WYT01-18Li-115  
DC 20V (battery powered), speed 7500/m<sup>1</sup>, diameter 115mm,  
Class III, IPX0  
L<sub>PA</sub> = 81,7dB(A), L<sub>WA</sub> = 92,7dB(A)

**Manufacturer:** FAST ČR, a.s.  
Černokostecká 2111, 100 00 Praha 10, Czech Republic  
VAT no: CZ26726548

**The product is inline with directives and regulations listed below:**

Directive MD 2006/42/EC  
Directive EMC 2014/30/EU  
Directive NEE 2000/14/EC  
Directive RoHS 2011/65/EU

**and norms:**

EN 60745-1:2009+A11  
EN 60745-2-3:2011+A2+A11+A12+A13  
EN 55014-1:2017  
EN 55014-2:2015



**Place of issuance:** Prague

**Name:** Ing. Zdeněk Pech  
Chairman of the Board

**Date of issuance:** 22. 7. 2020

**Signature:**

**FAST®** FAST ČR, a.s.   
Černokostecká 1621, 251 01 Říčany  
IČO: 26726548 tel.: +420/ 323 204 111  
DIČ: CZ26726548 fax: +420/ 323 204 110

IČO: 26 72 65 48, DIČ: CZ-26 72 65 48

**Bankovní spojení:** Komerční banka Praha 1, č.ú. 89309011/0100, Česká spořitelna Praha 4, č.ú. 2375682/0800,  
CSOB Praha 1, č.ú. 8010-0116233383/0300

# Sarokcsiszoló **20V** FASTPOWER

## FELHASZNÁLÓI KÉZIKÖNYV

**Köszönjük, hogy megvásárolta ezt a FIELDMANN akkumulátoros sarokcsiszolót. A készülék használata előtt figyelmesen olvassa el a használati útmutatót és őrizze meg a későbbiekre.**

## TARTALOM

1. ÁLTALÁNOS BIZTONSÁGI UTASÍTÁSOK.....	48
2. SPECIFIKUS BIZTONSÁGI UTASÍTÁSOK.....	48
3. SAROKCSISZOLÓVAL TÖRTÉNŐ MUNKÁK.....	54
4. JELZÉSEK.....	54
5. TERMÉKLEÍRÁS ÉS SPECIFIKÁCIÓK.....	55
6. MŰSZAKI ADATOK.....	56
7. KARBANTARTÁS ÉS SZERVIZ.....	57
8. MEGSEMISÍTÉS.....	59
9. MEGFELELŐSÉGI NYILATKOZAT.....	60

# 1. ÁLTALÁNOS BIZTONSÁGI UTASÍTÁSOK

## **⚠ FIGYELEM!**

Használat előtt figyelmesen olvassa el a használati utasítást.

### **Fontos biztonsági figyelmeztetések**

- ✿ Óvatosan csomagolja ki a terméket, és ellenőrizze, hogy a csomag tartalmazza a termék összes alkotórészét; ügyeljen arra, hogy ne veszítse el ezen elemek egyikét sem.
- ✿ A terméket tartsa száraz helyen, gyermekektől távol.
- ✿ Olvassa el az összes figyelmeztetést és utasítást. A figyelmeztetések és a biztonsági utasítások be nem tartása balesetet, tüzet és/vagy súlyos sérülést okozhat.

### **Csomagolás**

A termék csomagolásban van, amely védi a szállítás közbeni sérüléstől. Ez a csomagolás másodlagos nyersanyag, ezért újrahasznosítani kell.

### **Használati utasítás**

Mielőtt elkezdené a munkát a szerszámmal, olvassa el az alábbi biztonsági szabályokat és üzemeltetési utasításokat. Ismerkedjen meg alaposan a szerszám kezelőelemeivel és azok megfelelő használatával. Tartsa a használati utasítást biztonságos helyen későbbi felhasználás céljából. Javasoljuk, hogy az eredeti csomagolást, beleértve a belső csomagolóanyagokat, a nyugtát és a jótállási kártyát, legalább a garancia időtartamára őrizze meg. Ha szállításra van szükség, akkor csomagolja a szerszámot a gyártó által szállított eredeti dobozba, ezáltal garantálja a szerszám maximális védelmét szállítás során (pl. szállításkor vagy szervizközpontba küldéskor).

**📖 Megjegyzés:** Ha továbbítja a szerszámot egy másik felhasználónak, mellékelje az utasításokat is.

A szerszám megfelelő használatának előfeltétele a mellékelt használati utasításokban szereplő utasítások betartása. Az üzemeltetési utasításokon kívül a használati utasítások a karbantartási és javítási munkákat is tartalmazzák.

**A gyártó nem vállal felelősséget balesetekért vagy károkért, amelyek a kézikönyv utasításainak be nem tartásából erednek.**

# 2. SPECIFIKUS BIZTONSÁGI UTASÍTÁSOK

**Olvassa el, jegyezze meg és őrizze meg ezeket a biztonsági utasításokat**

## **⚠ FIGYELMEZTETÉS!**

Az elektromos áramütés, személyi sérülések és a tűz veszélye elleni védelem érdekében az elektromos gépek és szerszámok használata közben figyelembe kell venni és be kell tartani az alábbi biztonsági utasításokat. Az „elektromos szerszám” kifejezés az összes alábbi utasításban hálózaton keresztül (tápkábel) és akkumulátorral működtetett (hálózati kábel nélkül) szerszámot jelent. Tartsa meg az összes figyelmeztetést és útmutatást a későbbi felhasználás céljából.

### **Munkakörnyezet**

- ✿ A munkaterületet tartsa tisztán és jól megvilágítva. A rendetlenség és a sötét helyek a munkahelyen balesetet okozhatnak. Tisztítsa meg a szerszámot, amelyet jelenleg nem használ.



- ☛ Ne használjon elektromos szerszámot tűz vagy robbanásveszélyes környezetben, tehát ahol gyúlékony folyadékok, gázok vagy por van. Az elektromos kéziszerszámok szikrákat hoznak létre a kommutátoron, melyek a por vagy gőzök meggyulladását okozhatják.
- ☛ Elektromos szerszám használatakor tartsa az illetéktelen személyeket, különösen gyermekeket, a munkaterületen kívül! Ha megzavarják, elvesztheti az irányítást a munka felett. Semmi esetre sem hagyja el az el. szerszámot felügyelet nélkül. Az állatokat tartsa távol a készüléktől.

## Elektromos biztonság

- ☛ Az elektromos szerszám tápkábel-dugaszának meg kell felelnie a konnektorhoz. Semmiképpen ne módosítsa a villásdugót. Soha ne használjon elosztót vagy más adaptert olyan szerszámokhoz, amelyeknél a tápkábel dugóján biztonsági tű van. A sértetlen dugók és a megfelelő aljzatok csökkentik az áramütés kockázatát. A sérült vagy összegabalyodott tápkábel növeli az áramütés kockázatát. Ha a tápkábel megsérült, ki kell cserélni egy új tápkábelre, amely a hivatalos szervizben vagy az importőrnél elérhető.
- ☛ Kerülje el, hogy a testével hozzáérjen földelt tárgyakhoz, pl. csőhöz, a központi fűtés fűtőtestéhez, tűzhelyhez vagy hűtőszekrényhez. Az áramütés veszélye megnő, ha teste érintkezésben van a földdel.
- ☛ Az elektromos szerszámot ne tegye ki esőnek, párának vagy nedvességnek. Soha ne érintse meg az elektromos szerszámot nedves kézzel. Soha ne mossa az elektromos szerszámot folyó víz alatt és ne merítse vízbe.
- ☛ Tápkábelt ne használja más célra, mint amire tervezték. Soha ne cipelje vagy húzza az elektromos kéziszerszámot a hálózati kábelnél fogva. Ne húzza ki a csatlakozót az aljzatból a vezetékénél fogva. Kerülje az elektromos kábelek éles vagy forró tárgyakkal okozta mechanikai károsodását.
- ☛ Az elektromos szerszámokat kizárólag váltóáramú áramellátáshoz gyártották. Mindig ellenőrizze, hogy a feszültség megfelel a szerszám adattábláján szereplő adatoknak. Soha ne dolgozzon olyan szerszámokkal, melyeknek sérült a tápkábele vagy csatlakozója, amely a földre esett, vagy egyéb módon sérült.
- ☛ Hosszabbító kábel használatakor mindig ellenőrizze, hogy műszaki paraméterei megegyeznek a szerszám adattábláján szereplő adatokkal. Ha az elektromos szerszámot a szabadban használja, használjon szabadtéri használatra alkalmas hosszabbító kábelt. Hosszabbító dobok használatakor le kell tekerni azokat, hogy megakadályozzák a kábel túlmelegedését.
- ☛ Ha az elektromos kéziszerszámot nedves helyen vagy szabadban használja, csak akkor használja, ha egy  $\leq 30$  mA RCD-vel ellátott áramkörhöz csatlakozik. Elektromos áramkör használata RCD-vel csökkenti az áramütés kockázatát.
- ☛ A kézi elektromos kéziszerszámokat csak a szigetelt fogófelületeken fogja meg, mivel a vágó vagy fúró berendezés működés közben érintkezhet rejtett huzallal vagy a szerszám tápkábelével.

## Személyi biztonság

- ☛ Legyen óvatos és éber a szerszám használata közben, maximális figyelmet fordítva a végzett tevékenységre. Összpontosítson a munkára. Ne használja az elektromos szerszámot, ha fáradt vagy drog, alkohol vagy gyógyszer hatása alatt van. Egy pillanatnyi figyelmetlenség a szerszám használata közben is súlyos személyi sérüléseket okozhat. Elektromos szerszámokkal történő munka közben ne egyen, igyon se dohányozzon.
- ☛ Használjon védelmi eszközöket. Mindig használjon látásvédelmet. Használjon a végzett munka típusának megfelelő védőfelszerelést. A védőeszközök, pl. respirátor, csúszásgátlóval ellátott biztonsági cipő, fejdő vagy fülvédő csökkentik a személyi sérülés esélyét, ha a munkafeltételekkel összhangban használják őket.
- ☛ Kerülje el a szerszám véletlen bekapcsolását. Ne hordozzon elektromos kéziszerszámot az ujjával a kapcsolón vagy a kioldón. Mielőtt csatlakoztatná a tápegységhez, ellenőrizze, hogy a kapcsoló vagy a

kioldó kapcsoló "ki" állásban van. Ha a szerszám hordozása közben az ujját a kapcsolón tartja, vagy a szerszámdugasz csatlakoztatása bekapcsolt állapotban súlyos balesetet okozhat.

- ✿ Az elektromos szerszám bekapcsolása előtt távolítsa el minden beállító eszközt és kulcsot. Ha a beállító eszköz vagy kulcs az elektromos szerszám forgó részéhez erősítve marad, személyi sérülést okozhat.
- ✿ Mindig őrizze meg stabil állását és egyensúlyát. Csak ott dolgozzon, ahová biztonságosan elér. Soha ne becsülje túl a saját erejét. Ne használja az elektromos szerszámot, ha fáradt.
- ✿ Megfelelő módon öltözzön fel. Használjon munkaruhát. Ne vegyen fel laza ruhát vagy ékszert. Ügyeljen arra, hogy a haj, ruházat, kesztyű vagy test más része ne kerüljön túl közel az elektromos szerszám forgó vagy forró részeihez.
- ✿ Csatlakoztassa a készüléket a porszívóhoz. Ha az eszközhöz csatlakoztatni lehet porgyűjtő vagy elszívó eszközt, ellenőrizze, hogy megfelelően van csatlakoztatva és használva. Egy ilyen készülék használata csökkenti a felszálló por okozta veszélyt.
- ✿ Erősen rögzítse a munkadarabot. Asztalos szorítókapoccsal vagy csavarral rögzítse a megmunkálendő részt.
- ✿ Ne használja az elektromos szerszámot alkohol, drogok, gyógyszerek vagy más kábítószer vagy addiktív anyag befolyása alatt.
- ✿ A berendezést nem használhatják csökkent fizikai, szellemi vagy mentális képességű személyek (beleértve a gyermekeket is), vagy hiányos tapasztalattal és tudással rendelkező személyek, ha nincsenek felügyelet alatt, vagy nem kaptak tájékoztatást a berendezés használatára vonatkozóan a biztonságukért felelős személytől. A gyermekeket felügyelni kell annak biztosítása érdekében, hogy ne játsszanak a készülékkel.

### **Vezeték nélküli szerszámok használata**

- ✿ Az akkumulátor behelyezése előtt ellenőrizze, hogy a főkapcsoló „0-ki” helyzetben van. Az akkumulátor bekapcsolt szerszámba helyezése veszélyes helyzeteket okozhat.
- ✿ Az akkumulátorok töltéséhez csak a gyártó által megadott töltőket használja. A töltő más típusú akkumulátorral történő használata károsíthatja azt és tüzet okozhat.
- ✿ Csak az eszköz számára megadott akkumulátorokat használjon. Más akkumulátor használata sérülést vagy tüzet okozhat.
- ✿ Ha az akkumulátort nem használja, tartsa távol fémtárgyaktól, például szorítókapcsoktól, kulcsoktól, csavaroktól és más apró fémtárgyaktól, amelyek az egyik akkumulátort összekötik egy másik akkumulátorral. Az akkumulátor rövidzárlata sérülést, égési sérülést vagy tüzet okozhat.
- ✿ Az akkumulátorokat óvatosan kezelje. Óvatlan kezelés esetén vegyszer szivároghat ki az akkumulátorból. Kerülje az anyaggal való érintkezést, és ha az érintkezés mégis megtörténik, mossa le az érintett területet folyó vízzel. Ha a vegyszer szembe kerül, haladéktalanul kérjen orvosi segítséget. Az akkumulátor vegyszere súlyos sérüléseket okozhat.

### **Szerviz**

- ✿ Ne cserélje ki a szerszám alkatrészeit, ne végezzen saját kezű javításokat, és ne módosítsa egyéb módon a szerszám kialakítását. A szerszámok javítását szakember végezze.
- ✿ A termék javítása vagy módosítása a cégünk engedélye nélkül nem megengedett (személyi sérülést vagy kárt okozhat).
- ✿ Az elektromos kéziszerszámot mindig szakszervizben javíttassa. Csak eredeti vagy ajánlott pótalkatrészeket használjon. Ez biztosítja az Ön és szerszámai biztonságát.

## Visszarúgás és a vonatkozó figyelmeztetések

- ☛ A visszarúgás hirtelen reakció egy forgó tárcsa, hátlap, kefe vagy más kiegészítő becsípődésére vagy elakadására. A leblokkolás vagy megakadás miatt a forgó alkatrész hirtelen megáll, ami a szerszámból az addigi forgásirányához képest ellenkező irányú, ellenőrizhetetlen mozgást vált ki. Például, ha egy csiszolókorong blokkolva van vagy elakadt a munkadarabban, a korong munkaéle, amely behatol az elakadás pontjába, behatolhat az anyag felületébe, amitől a munkaeszköz felemelkedhet vagy visszarúghat. Attól függően, hogy a korong merre mozgott az elakadás helyén, a korong a kezelő felé vagy a vele ellenkező irányba is kiugorhat. Ilyen körülmények között a csiszolókorongok is eltörhetnek. A visszarúgás a szerszám nem megfelelő használatának, a nem megfelelő munkafolyamatnak vagy az alkalmatlan munkakörülményeknek az eredménye, és az alábbi pontok betartásával megelőzhető.
- ☛ Mindig stabilan fogja a szerszámot, és olyan testhelyzetet és kartartást vegyen fel, hogy ellen tudjon állni a visszarúgás erejének. Mindig használjon segédfogantyút, ha van ilyen, hogy az indítás során maximálisan ellenőrizhesse a visszarúgást vagy a nyomatékreakciót. A kezelő a megfelelő óvintézkedések betartásával vezérelheti a nyomatékreakció vagy a visszarúgás erejét.
- ☛ Soha ne tegye a kezét a forgó alkatrészek közelébe. Az alkatrész a kezén keresztül kivágódhat hátrafelé.
- ☛ Ne lépjen olyan helyre, ahová visszarúgás esetén a szerszám kivágódhat. A visszarúgás ellenkező irányba dobja a szerszámot, mint amerre az a blokkoláskor mozgott.
- ☛ Legyen nagyon óvatos sarkok, éles peremek stb. közelében. Kerülje a pattogó tartozékokat és azok megfogását. A sarkak, éles peremek, vagy a munkaeszköz ugrálása hajlamosak megakasztani a forgó alkatrészt, ami a kontroll elvesztéséhez vagy visszarúgáshoz vezethet.
- ☛ Ne használjon fűrészláncot, famegmunkáló kést vagy fogazott fűrészlapot. Az ilyen korongok visszarúgást és a szerszám irányításának elvesztésének kockázatát jelentik.

**▲ FIGYELEM!** Használat előtt olvassa el figyelmesen ezeket a biztonsági utasításokat, és tartsa őket biztonságos helyen.

- ☛ Az utasítások nem betartása esetén sérülésveszély áll fenn.
- ☛ Ez a sarokcsiszoló megfelel az alkalmazandó műszaki előírások és szabványok követelményeinek.
- ☛ Ne használjon más, kiegészítőket csak csiszoló-, vágó- és gyémántkorongokat.
- ☛ Soha ne használja a szerszámot biztonsági háló nélkül.
- ☛ Mindig viseljen szemvédőt (védőszemüveget vagy arcvédőt) és hallásvédőt.
- ☛ Oldalsziszoláshoz ne használjon vágó- és csiszolókorongokat.
- ☛ Ha poros környezetben dolgozik, ügyeljen arra, hogy a szellőzőnyílások ne legyenek eltömődve.
- ☛ A falakba vágáskor ügyeljen arra, hogy e falak mögött ne legyenek elektromos vezetékek (fémdelektor segítségével).
- ☛ A csiszolókorongot soha ne hűtse vízzel.
- ☛ A megmunkálás után ne érijn a megmunkált élhez, mert az forró lehet.
- ☛ A csiszolót soha ne rögzítse a munkaasztalhoz.
- ☛ Győződjön meg, hogy a csiszolókorongon feltüntetett működési sebesség nagyobb vagy megegyezik a csiszoló típusátlóján feltüntetett sebességgel.
- ☛ Ne vágjon olyan anyagot, amely maximális szélessége meghaladja a köszőrűkorong mélységét.
- ☛ Ne vágjon és ne csiszoljon 80%-nál nagyobb magnéziumtartalmú könnyűfémeket, mivel ezek a fémek gyúlékonyak.
- ☛ Győződjön meg, hogy a csiszolókorong megfelelő méretű és megfelelően van felszerelve a csiszoló tengelyére.
- ☛ A csiszolókorongot nagyon körültekintően és a csiszolókoronghoz mellékelt utasításoknak megfelelően kezelje.

- ☛ Minden használat előtt ellenőrizze a csiszolókorongot.
- ☛ Ne használjon repedt vagy más módon megrongálódott csiszolókorongokat.
- ☛ Győződjön meg, hogy a csiszolókorong a megadott utasításoknak megfelelően van felszerelve.
- ☛ A csiszolókorong felszerelése után hagyja a csiszolót alapjáraton biztonságos helyen. Ha a csiszoló erősen rezeg, vagy ha a csiszolókorong látható sérüléseket mutat, azonnal kapcsolja ki a csiszolót, és próbálja meghatározni az okát.
- ☛ Ne használjon redukort vagy egyéb kiegészítő elemet a tengely különböző átmérőjéhez tervezett csiszolókorong felszereléséhez.
- ☛ Győződjön meg arról, hogy a munkadarab megfelelően meg van támasztva vagy rögzítve. Soha ne használja a csiszolókorongot a reszelék eltávolításához.
- ☛ Biztosítsa, hogy a szikrák nem érik el más embereket, és nem okozzák gyúlékony anyagok meggyulladását.
- ☛ Ha valaki egy vonalban áll a csiszolókoronggal, akkor tegyen megfelelő védelmi intézkedéseket. Ügyeljen arra, hogy a közelében lévő munkaterületet megtisztítsa.
- ☛ Csak akkor nyomja meg a korong biztosító gombját (3), ha a motor és a csiszoló tengelye teljesen leállt!
- ☛ Ne feledje, hogy a tehetetlenség miatt a csiszolókorong még egy darabig forog a csiszoló kikapcsolása után.
- ☛ Mindig használja a szerszámhoz mellékelt kiegészítő fogantyút. Az elektromos kéziszerszám ellenőrzésének elvesztése személyi sérülést okozhat.

**⚠ FIGYELEM!** Használjon védőfelszerelést zaj, por és rezgés ellen!!!

**⚠ FIGYELEM!** Őrizze meg ezt a biztonsági útmutatót!!!

## Biztonsági figyelmeztetések csiszoláshoz és vágáshoz

### Vágási munkálatok

- ☛ Csak a szerszámához ajánlott korongtípusokat és a kiválasztott koronghoz tervezett védőt használjon. Azok a korongok, amelyekhez ezt az elektromos szerszámot nem szánták, nem védhetők megfelelően és veszélyesek.
- ☛ A süllyesztett korongok csiszolófelületét a védőburkolat szélének síkja alá kell felszerelni. A helytelenül felszerelt korong, amely túlnyúlik a védő szélének síkján, nem védhető megfelelően.
- ☛ A védőburkolatot biztonságosan kell rögzíteni a szerszámhoz, és úgy kell elhelyezni, hogy a lehető legnagyobb biztonságot nyújtsa, és a szabadon hagyott korong a lehető legkisebb része irányuljon a felhasználó felé. A védőburkolat segít megvédeni a kezelőt a korong töredékeitől, a koronggal való véletlen érintkezéstől és a szikráktól, amelyek meggyújthatják a ruházatot.
- ☛ A korongokat csak az ajánlott munkákhoz szabad felhasználni. Például ne csiszolja a vágókorong oldalát. A csiszolókorongokat kerületi csiszolásra tervezték, és az ezekre a korongokra ható oldalirányú erők megrongálhatják őket.
- ☛ Mindig használjon sértetlen, a kiválasztott koronghoz megfelelő méretű és alakú peremeket. A megfelelő peremek aláfémszják a korongot, így csökkentve a korong törésének lehetőségét. A vágókorongok peremei eltérhetnek a csiszolókorongok peremeitől.
- ☛ Ne használjon kopott, megerősített korongokat nagyobb elektromos csiszológépekből. A nagyobb elektromos szerszámokhoz tervezett korongok nem alkalmasak nagyobb sebességű kisebb szerszámokhoz, és eltérhetnek. Kiegészítő biztonsági figyelmeztetések vágási munkálatokhoz.
- ☛ Kerülje a vágótárcsa elzáródását, és ne gyakoroljon túl nagy nyomást a vágótárcsára. Ne akarjon túlságosan mélyen vágni. A túlzott terhelés növeli a terhelést és a korong csavarodását vagy elakadás iránti hajlamát, és növeli a visszarúgás vagy a korong törésének lehetőségét.

- ✿ Ne lépjen a forgó korong tengelyébe se a forgó korong mögé. Ha a munkaterületen a korong a testétől ellenkező irányba mozdul, egy esetleges visszarúgás a forgó korongot és az elektromos szerszámot közvetlenül maga felé dobhatja.
- ✿ Ha a korong elakad vagy bármilyen okból megszakad a vágás, kapcsolja ki a szerszámot, és tartsa a szerszámot álló helyzetben, amíg a korong teljesen le nem áll. Soha ne próbálja meg eltávolítani a mozgó vágókorongot a vágásból, mert visszarúgás léphet fel. Lásson előre és tegyen korrekciós intézkedéseket a penge elakadásának kiküszöbölése érdekében.
- ✿ Ne kezdje újra a munkadarab vágását. Hagyja, hogy a korong elérje a maximális sebességet, és óvatosan helyezze vissza a vágásba. Ha a munkadarabban lévő korongot újraindítják, a korong megrekedhet, felfelé ugorhat vagy visszarúgás léphet fel.
- ✿ Támassza alá a paneleket vagy más túlméretes munkadarabokat a korong elakadásának és visszarúgásának kockázatának minimalizálása érdekében. A nagy munkadarabok saját súlyuk alatt hajlamosak meghajolni. A támasztékokat a munkadarab alatt kell elhelyezni a vágási vonal közelében, és a munkadarab élei közelében a korong mindkét oldalán.
- ✿ Legyen nagyon óvatos, ha vágást végez a meglévő falakba vagy más helyeken, amelyek mögé nem láthat. A kiálló penge átvághatja a gáz- vagy vízvezetéseket, elektromos vezetékeket vagy tárgyakat, amelyek visszarúgást okozhatnak.  
A csiszolási munkálatokra vonatkozó biztonsági figyelmeztetések
- ✿ Ne használjon túlméretezett csiszolópapírt. A csiszolópapír kiválasztásakor kövesse a gyártó utasításait és ajánlásait. Az alátét szélén túl kinyúló nagyobb csiszolópapír sérülést okozhat, és a korong megakadhat, elszakadhat vagy visszarúgás keletkezhet.  
Biztonsági figyelmeztetések a drótkorongokkal való munkavégzéshez
- ✿ Vegye figyelembe, hogy az egyes huzalok normál működés közben is felszabadulnak a drótkorongból. Ne terhelje túl a drótkorongokat. A huzaltördékek könnyen behatolhatnak a könnyű ruházatba vagy a bőrbe.
- ✿ Ha drótkorongos munkához burkolat használata ajánlott, akkor ne engedje, hogy a drótkorong vagy kefe érintkezzen a burkolattal. A drótkorong vagy a kefe növelheti az átmérőjét a terhelés és a centrifugális erők következtében.

### 3. SAROKCSISZOLÓVAL TÖRTÉNŐ MUNKÁK

- ✿ Az optimális korong-munkadarab-szög 150°.
- ✿ Tartsa a lehető legnagyobb távolságot a korong és a korong felhasználója között.
- ✿ Csak enyhe nyomást gyakoroljon a korongra, oldalirányú terhelés nélkül. Tartsa meg a forgásirányt, és vigyázzon az elrepülő szikrákra.
- ✿ Kerülje a munkadarab ütését.
- ✿ Ha a korong átmérője kisebb, mint 80 mm, cserélje ki a korongot.

### 4. JELZÉSEK



A termék megfelel az alkalmazandó szabványok és előírások követelményeinek.



Használata előtt figyelmesen olvassa el a használati utasítást.



Viseljen szemvédőt



Viseljen fülvédőt



Tengely menete: M14

## 5. TERMÉKLEÍRÁS ÉS SPECIFIKÁCIÓK



Olvassa el az összes biztonsági figyelmeztetést és utasítást. Ha nem tartja be az összes figyelmeztetést és utasítást, áramütés, tűz vagy komoly sérülés következhet be.

### Rendeltetésszerű használat

Ezt az eszközt fém- és kőanyagok vágására, csiszolására és tisztítására tervezték víz használata nélkül. Ragasztott csiszolóanyagokkal történő vágáshoz speciális vágásvédőt (tartozék) kell használni. Kővek vágásakor ügyeljen a hatékony porelszívásra. Egy jóváhagyott csiszolószerszámmal ez a csiszoló használható csiszolókorongokkal.

### Termékleírás

A termék leírásában szereplő számozás az eszköz grafikus oldalon látható illusztrációira utal.

1. Védőburkolat kioldókar
2. Tengelyzár gomb
3. Be-/kikapcsoló
4. Kiegészítő fogantyú
5. Csiszolótengely
6. Védőburkolat csiszolóshoz
7. Szerelőperem
8. Csiszolókorong (tartozék)
9. Rögzítő anyacsavar
10. Vágásvédő burkolat (nem tartozék)
11. Vágókorong (nem tartozék)
12. Forgásirány nyíl a szerszám fedélén

A szerszám biztonságos használata mellett a következőket is be kell tartani:

1. Használat előtt gondosan ellenőrizze a csiszolókorongot. A csiszolókorongon nem lehet repedés.
2. A sarokcsiszoló használata előtt ellenőrizze, hogy a csiszolókorong forgásiránya megegyezik a sebességváltó fejének védőfedelén jelzett nyíl irányával.
3. Csiszolás közben ne gyakoroljon túl nagy nyomást a szerszámra, és ne hagyja, hogy a csiszolókorong ütközzön, mivel a megrepedt csiszolókorong sérülést okozhat. Ha ezt a csiszolót vágáshoz használja, ne állítsa vízszintes síkba a csiszolókorongot.
4. Ha ezt a csiszolót polírozóként használja, és ha a következő helyzetek bármelyike bekövetkezik, az eszközt azonnal ki kell kapcsolni a probléma okának meghatározása érdekében. Az eszköz rutinszerű karbantartás után újra használható.
  - ① A sebességváltó alkatrészei blokkolva vannak, a motor fordulatszámja hirtelen csökken és a szerszám leáll.
  - ② Ha rendellenes hangot tapasztal, a hőmérséklet túlságosan megemelkedik, vagy ha szag érezhető.
  - ③ Ha megállapítja, hogy a csiszolókorong megrepedt.
  - ④ Ha úgy találja, hogy a kommutátor túlságosan szikrázik, és szikra gyűrű jelenik meg.

### A sarokcsiszoló megfelelő működése és használata

1. Ha ezt a csiszolót polírozóként használja, először az eszközt el kell indítani, majd ezután kell érintkeznie a munkadarabbal. Fejezze be a munkát, emelje fel a szerszámot a munkadarabbról, és válassza le a szerszámot az áramforrásról. Munka közben egyenletes nyomást kell gyakorolni a munkadarabra. Ne gyakoroljon túl nagy erőt a munkadarabra.

- A jó munkaeredmények elérése érdekében a csiszolókorong síkjának és a csiszoló munkafelületének lehetőség szerint 15–30° szöget kell kialakítani. Ha ezt a sarokcsiszolót vágáshoz használja, akkor azt a csiszolókorong síkján kell tolni. Ne végezzen mozdulatokat balra és jobbra, hogy elkerülje a csiszolókorong sérülését.
- Különböző anyagokból készült munkadarabok csiszolásakor különböző pontosságú és keménységű csiszolókorongokat kell választani a szükséges csiszolási hatékonyság garantálása érdekében.  
A kiválasztást általában az alábbiak szerint végezze:  
(1) öntvények durva csiszolása, csiszolókorongok választéka 12#~16#,  
(2) öntvények tisztítása, csiszolókorongok választéka 16#~24#,  
(3) varratok polírozása, felületek csiszolása, csiszolókorongok választéka 36#~46#
- Munka közben használjon védőkesztyűt.

## 6. MŰSZAKI ADATOK

Modell	FDUB 70605-0
Névleges feszültség	20 V
Fordulatszám üresben	7 500 ford/perc ± 10 %
A korong maximális átmérője	115 mm
A tengely menete	M14
A csiszolókorong rögzítő furatának átmérője	22,2 mm

### Tartozékok

A tétel száma	Tartozékok
FDUZ 79020	Akkumulátor 2 Ah
FDUZ 79040	Akkumulátor 4 Ah
FDUZ 79100	Gyorstöltő
FDUZ 79110	Dupla gyorsöltő



## 7. KARBANTARTÁS ÉS SZERVIZ

### Sarokcsiszoló karbantartása

1. Tartsa tisztán a szellőzőnyílásokat, és rendszeresen távolítsa el a felgyülemlett szennyeződések.
2. Legalább negyedévente végezzen átfogó ellenőrzést, és tölts fel a kenőanyagot. Biztosítani kell azt is, hogy a szigetelési ellenállás mért értéke ne legyen kevesebb, mint 7 MΩ. Ha kisebb, mint 7 MΩ, a munkát száraz környezetben kell elvégezni.

Ezen sarokcsiszoló gyakori hibáit és karbantartási módszereit a következő táblázat ismerteti a szerszám felhasználói számára.

Észlelt probléma	Valószínű ok	Karbantartási és javítási eljárások
A motor nem indul, ha be van kapcsolva	<ol style="list-style-type: none"> <li>1. Nincs elérhető tápfeszültség</li> <li>2. Rossz érintkező vagy hibásan működő kapcsoló</li> <li>3. A szén nem érintkezik a kommutátor felületével</li> <li>4. Sérült állórész-armatúra vagy tekercs</li> </ol>	<ol style="list-style-type: none"> <li>1. Biztosítsa a tápfeszültséget</li> <li>2. Javítsa meg vagy cserélje ki a kapcsolót</li> <li>3. Állítsa be a pozitív szénrugó nyomását és helyzetét úgy, hogy a szén megfelelő kapcsolatban legyen a kommutátor felületével</li> <li>4. Ha megszakad a kimenet, az újraforgasztás után használható. Ellenkező esetben vissza kell tekerni vagy ki kell cserélni</li> </ol>
Az elektromos motor szokatlan zajt ad ki, és nem forog vagy nagyon lassan forog	<ol style="list-style-type: none"> <li>1. Égett kapcsoló érintkező</li> <li>2. Blokkolt mechanikus részek</li> <li>3. Az axiális nyomás meghaladja a megengedett terhelést</li> <li>4. Meghibásodott motor</li> <li>5. A tápfeszültség túl alacsony</li> <li>6. A kúpos fogaskerekek károsodása</li> </ol>	<ol style="list-style-type: none"> <li>1. Cserélje ki a kapcsolót</li> <li>2. Ellenőrizze a mechanikus részeket</li> <li>3. Csökkentse az axiális nyomást</li> <li>4. Cserélje ki a motort</li> <li>5. Biztosítsa a megfelelő tápfeszültséget</li> <li>6. Cserélje ki a fogaskerekeket</li> </ol>
A sebességváltó házának túlzott felmelegedése	<ol style="list-style-type: none"> <li>1. Nincs elegendő kenőanyag a sebességváltóban vagy szennyezett a kenőanyag</li> <li>2. Túlzottan meghúzott fogaskerekek vagy szennyeződés a sebességváltó belsejében</li> </ol>	<ol style="list-style-type: none"> <li>1. Tölts fel vagy cserélje ki a kenőanyagot</li> <li>2. Állítsa be a fogaskerekeket, cserélje ki vagy távolítsa el a szennyeződések</li> </ol>

### Védőburkolat vágáshoz

- ☛ Ragasztott csiszolóanyaggal történő vágáshoz mindig használja a vágóvédőt 10.
- ☛ A kövek vágásakor biztosítsa a megfelelő porelszívást.

A vágáshoz használt védőburkolat 10 ugyanúgy van felszerelve, mint csiszolóshoz. 6 Vágásvetítő védőburkolattal porelszíváshoz

Ez a porelszívó védőburkolattal ellátott vágóvezető ugyanúgy van rögzítve, mint a védőburkolat csiszolóshoz 6.

## Kiegészítő fogantyú

- ✿ Ezt a szerszámot csak segédfogantyúval 4 használja. Az elvégzett munka típusától függően csavarja a segédfogantyút 4 a szerszámfej bal vagy jobb oldalára.

## Kézvédő

- ✿ Amikor a gumiciszoló párnával 13 vagy a csészekefével/drótkoronggal/lamellás koronggal dolgozik, mindig szerelje fel a kézvédőt a csiszolóra. A kézvédő 12 a kiegészítő fogantyúhoz 4 van csatlakoztatva.

## Csiszolószerszámok összeszerelése

- ✿ Mielőtt elkezdene dolgozni ezen a szerszámon, húzza ki a szerszám csatlakozóját az aljzatból.
- ✿ Ne érjen a csiszoló- vagy vágókorongokhoz, amíg azok teljesen nem hűltek ki. Ezek a korongok működés közben nagyon forrók lehetnek.

Tisztítsa meg a csiszolótengelyt 5 és az összes rögzített alkatrészt.

A csiszolókorongok rögzítésénél és leszerelésénél rögzítse a csiszolókorongot a tengely reteszelő gombjának 2 megnyomásával.

- ✿ A tengely reteszelő gombját csak akkor használja, ha a tengely teljesen le állt. Ellenkező esetben a szerszám megsérül.

## Csiszoló-/vágókorong

Ügyeljen a csiszolókorongok méreteire. A rögzítő furat átmérőjének meg kell felelnie a rögzítő karimának, ráhagyás nélkül. Ne használjon redukciókat vagy adaptereket.

Ha gyémánt vágótárcsákat használ, győződjön meg arról, hogy a gyémánt vágótárcsán lévő forgó nyíl iránya megegyezik a szerszám forgási nyíljának irányával (lásd a forgásiirány nyíl irányát a szerszám fején).

A telepítési eljárást lásd a képeket tartalmazó oldalon.

A csiszoló-/vágókorong felhelyezésekor csavarja a rögzítő anyát 9 a tengelyre, és húzza meg két tűs csavarkulccsal.

- ✿ A csiszolószerszám felszerelése és a szerszám bekapcsolása előtt ellenőrizze, hogy a csiszolószerszám megfelelően van felszerelve és szabadon forog. Ügyeljen arra, hogy a csiszolószerszám ne érintkezzen a szerszám alkatrészeivel.

## Jóváhagyott csiszolószerszámok

A jelen használati utasításban felsorolt összes csiszolószerszám használható.

Az alkalmazott csiszolószerszámok megengedett sebességének ( $\text{min}^{-1}$ ) vagy kerületi sebességének ( $\text{m/s}$ ) legalább meg kell egyeznie az ebben a táblázatban megadott értékekkel.

Ezért tartsa be a csiszolószerszám címkéjén megadott megengedett sebességet/kerületi sebességet.

## 8. MEGSEMMISÍTÉS



A szerszámot, újratölthető elemeket, tartozékokat és csomagolásokat az ökológiai újrahasznosítás érdekében szét kell válogatni.

Az elektromos szerszámokat, elemeket és újratölthető elemeket ne dobja a háztartási hulladékba!

### Csak az Európai Unió országai esetében:



A 2012/19/EU európai irányelv szerint a már nem használt kéziszerszámokat és a 2006/66/EK európai irányelvnek megfelelő hibás vagy használt akkumulátorokat külön kell összegyűjteni és környezetbarát módon megsemmisíteni.

### A HASZNÁLT CSOMAGOLÓANYAGOKRA VONATKOZÓ MEGSEMMISÍTÉSI UTASÍTÁSOK ÉS TÁJÉKOZTATÓ

Az összes használt csomagolóanyagot a hulladékkezelő hatóság által kijelölt helyen adja le.

### HASZNÁLT ELEKTROMOS ÉS ELEKTRONIKUS BERENDEZÉSEK MEGSEMMISÍTÉSE



Ez a jel a terméken vagy a kísérő dokumentációban azt jelzi, hogy a kiselejtezett elektromos és elektronikus berendezéseket nem szabad a háztartási hulladék közé dobni. Vigye el őket az erre meghatározott gyűjtőudvarokba, ahol gondoskodnak helyes megsemmisítésükről, felújításukról vagy újrahasznosításukról. Az Európai Unió egyes országaiban vagy más európai országokban a termékek az eladóhelyen megfelelő új termék vásárlásánál visszaválthatók lehetnek. A termék megfelelő módon történő megsemmisítésével segít megőrizni az értékes természeti erőforrásokat, és hozzájárul a nem megfelelő hulladék-megsemmisítés által okozott esetleges negatív környezeti és egészségügyi hatások megelőzéséhez. További részletekért forduljon a helyi önkormányzathoz vagy a legközelebbi hulladék-megsemmisítő gyűjtőtelephez. Az ilyen típusú hulladék helytelen megsemmisítése esetén a vonatkozó nemzeti előírásoknak megfelelően bírságok szabhatók ki.

### Az Európai Unió országaiban működő vállalatok számára

Ha elektromos vagy elektronikus berendezést kíván megsemmisíteni, kérjen információt a termék eladójától vagy forgalmazójától. Megsemmisítés az Európai Unión kívüli más országokban Ha ezt a terméket likvidálni szeretné, kérje a helyi hatóságoktól vagy a forgalmazótól a megsemmisítéssel kapcsolatos információkat.



Ez a termék teljesíti az EU valamennyi vonatkozó irányelvnek alapkövetelményeit.

A szövegben, kivételben és műszaki jellemzőkben előzetes figyelmeztetés nélkül változtatások történhetnek, és e változtatások jogát fenntartjuk.

Az eredeti használati útmutató fódítása.

## 9. MEGFELELŐSÉGI NYILATKOZAT

# FAST®

**FAST ČR, a.s.**  
Černokostecká 1621, 251 01 Říčany, Czech Republic  
tel.: +420 323 204 111, Fax: +420 323 204 110

### EU DECLARATION OF CONFORMITY

**Product / brand:** Cordless Angle Grinder / **FIELDMANN**

**Type / model:** **FDUB 70605-0** as factory model SOM-WYT01-18Li-115  
DC 20V (battery powered), speed 7500/m<sup>1</sup>, diameter 115mm,  
Class III, IPX0  
L<sub>PA</sub> = 81,7dB(A), L<sub>WA</sub> = 92,7dB(A)

**Manufacturer:** FAST ČR, a.s.  
Černokostecká 2111, 100 00 Praha 10, Czech Republic  
VAT no: CZ26726548

**The product is inline with directives and regulations listed below:**

Directive MD 2006/42/EC  
Directive EMC 2014/30/EU  
Directive NEOF 2000/14/EC  
Directive RoHS 2011/65/EU

**and norms:**

EN 60745-1:2009+A11  
EN 60745-2-3:2011+A2+A11+A12+A13  
EN 55014-1:2017  
EN 55014-2:2015



**Place of issuance:** Prague

**Name:** Ing. Zdeněk Pech  
Chairman of the Board

**Date of issuance:** 22. 7. 2020

**Signature:**

**FAST®** FAST ČR, a.s.   
Černokostecká 1621, 251 01 Říčany  
IČO: 26726548 tel.: +420/ 323 204 111  
DIČ: CZ26726548 fax: +420/ 323 204 110

IČO: 26 72 65 48, DIČ: CZ-26 72 65 48

**Bankovní spojení:** Komerční banka Praha 1, č.ú. 89309011/0100, Česká spořitelna Praha 4, č.ú. 2375682/0800,  
CSOB Praha 1, č.ú. 8010-0116233383/0300

# Szlifierka kąтова

## INSTRUKCJA OBSŁUGI

**Dziękujemy za zakup akumulatorowej szlifierki kątovej FIELDMANN. Przed przystąpieniem do użytkowania należy uważnie zapoznać się z niniejszą instrukcją i zachować ją do wglądu w przyszłości.**

## SPIS TREŚCI

1. OGÓLNE WSKAZÓWKI DOTYCZĄCE BEZPIECZEŃSTWA.....	62
2. SZCZEGÓLNE WSKAZÓWKI DOTYCZĄCE BEZPIECZEŃSTWA .....	62
3. PRACA ZE SZLIFIERKĄ KĄTOWĄ.....	68
4. SYMBOLE.....	68
5. OPIS I SPECYFIKACJA PRODUKTU .....	69
6. DANE TECHNICZNE .....	70
7. KONSERWACJA I SERWIS .....	71
8. UTYLIZACJA .....	73
9. DEKLARACJA ZGODNOŚCI.....	74

# 1. OGÓLNE WSKAZÓWKI DOTYCZĄCE BEZPIECZEŃSTWA

## **UWAGA!**

Przed użyciem należy dokładnie przeczytać instrukcję obsługi.

### **Ważne ostrzeżenia dotyczące bezpieczeństwa**


- ✿ Ostrożnie rozpakuj urządzenie i sprawdź, czy opakowanie zawiera wszystkie elementy urządzenia; uważaj, aby nie zgubić żadnego z tych elementów.
- ✿ Umieść urządzenie w suchym miejscu, niedostępnym dla dzieci.
- ✿ Przeczytaj wszystkie ostrzeżenia i wszystkie zalecenia. Niezastosowanie się do ostrzeżeń i wskazówek dotyczących bezpieczeństwa może być przyczyną wypadku, pożaru i/lub poważnych obrażeń.

### **Opakowanie**

Urządzenie zostało umieszczone w opakowaniu chroniącym je przed uszkodzeniem podczas transportu. Opakowanie jest surowcem wtórnym i dlatego powinno zostać poddane recyklingowi.

### **Wskazówki dotyczące obsługi**

Przed rozpoczęciem pracy z tym narzędziem przeczytaj poniższe zasady bezpieczeństwa i instrukcję obsługi. Zapoznaj się dokładnie z obsługą narzędzia i właściwym sposobem jego użycia. Instrukcję należy przechowywać w bezpiecznym miejscu w celu jej późniejszego wykorzystania. Zaleca się zachowanie co najmniej przez okres gwarancji oryginalnego opakowania wraz z elementami wewnętrznymi, paragonu i karty gwarancyjnej. W razie konieczności transportu należy zapakować narzędzie w oryginalne pudełko dostarczone przez producenta, co zapewni maksymalną ochronę urządzenia podczas transportu (np. w związku z przeprowadzką lub wysłaniem urządzenia do serwisu).

 **Uwaga:** Przy przekazaniu tego narzędzia innemu użytkownikowi, należy dołączyć do niego instrukcję. Przestrzeganie zaleceń zawartych w niniejszej instrukcji jest warunkiem prawidłowego użytkowania tego narzędzia. Instrukcja obsługi oprócz zaleceń dla użytkownika zawiera także informacje dotyczące wykonywania konserwacji i napraw.

**Producent nie ponosi odpowiedzialności za wypadki lub szkody powstałe w wyniku nieprzestrzegania zaleceń zawartych w niniejszej instrukcji.**

# 2. SZCZEGÓLNE WSKAZÓWKI DOTYCZĄCE BEZPIECZEŃSTWA

## **Przeczytaj dokładnie, zapamiętaj i zachowaj te instrukcje bezpieczeństwa**

### **UWAGA!**

Podczas korzystania z urządzeń elektrycznych i elektronarzędzi należy przestrzegać poniższych instrukcji bezpieczeństwa w celu ochrony przed porażeniem prądem elektrycznym, obrażeniami ciała i ryzykiem pożaru. Termin „elektronarzędzia”, używany w poniższych instrukcjach, dotyczy elektronarzędzi podłączonych do źródła zasilania (za pośrednictwem przewodu zasilającego), a także elektronarzędzi zasilanych bateriami (bez przewodu zasilającego). Zachowaj wszystkie ostrzeżenia i instrukcje do wykorzystania w przyszłości.

## Środowisko pracy

- ✿ Utrzymuj przestrzeń roboczą w czystości i dobrze oświetloną. Bałagan i nieoświetlone obszary w miejscu pracy bywają przyczyną wypadków. Sprzątnij narzędzia, których obecnie nie używasz.
- ✿ Nie korzystaj z elektronarzędzi w środowisku, w którym istnieje ryzyko pożaru lub wybuchu, czyli w miejscach, w których występują łatwopalne ciecze, gazy lub pyły. W elektronarzędziu powstają iskry na komutatorze, które mogą spowodować zapłon pyłu lub oparów.
- ✿ Podczas korzystania z elektronarzędzi należy uniemożliwić dostęp do miejsca pracy osób nieupoważnionych, w szczególności dzieci! Jeśli Twoja praca będzie zakłócana, możesz stracić kontrolę nad wykonywaną czynnością. Nie pozostawiaj elektronarzędzia bez nadzoru. Zabezpiecz urządzenie przed dostępem zwierząt.

## Bezpieczeństwo elektryczne

- ✿ Wtyczka zasilania elektronarzędzia musi pasować do gniazdka elektrycznego. Nigdy nie dokonuj żadnych przeróbek wtyczki. Narzędzi wyposażonych we wtyczkę z uziemieniem nie należy podłączać do rozgałęziaczy i innych przejściówek. Nieuszkodzona wtyczka i odpowiednie gniazdko zmniejszają ryzyko porażenia prądem elektrycznym. Uszkodzone lub splątane kable zasilające zwiększają ryzyko porażenia prądem elektrycznym. W przypadku uszkodzenia kabla zasilającego, należy go wymienić na nowy kabel zasilający, który można uzyskać w autoryzowanym serwisie lub u dystrybutora.
- ✿ Unikaj kontaktu ciała z uziemionymi przedmiotami, takimi jak np. rury, kaloryfery, kuchenki czy lodówki. Ryzyko porażenia prądem elektrycznym wzrasta, kiedy ciało jest uziemione.
- ✿ Nie narażaj elektronarzędzia na oddziaływanie deszczu, wilgoci lub substancji mokrych. Nie dotykaj elektronarzędzia mokrymi rękami. Nie myj elektronarzędzi pod bieżącą wodą i nie zanurzaj ich w wodzie.
- ✿ Nie używaj kabla zasilającego do celów innych niż do których jest przeznaczony. Nie noś i nie ciągnij elektronarzędzia za kabel zasilający. Nie wyciągaj wtyczki z gniazdka ciągnąc za kabel. Nie dopuść do mechanicznego uszkodzenia kabli elektrycznych przez ostre lub gorące przedmioty.
- ✿ Elektronarzędzia są przeznaczone wyłącznie do zasilania prądem zmiennym. Przed użyciem upewnij się, że napięcie elektryczne jest zgodne z danymi na tabliczce znamionowej narzędzia. Nie używaj narzędzia z uszkodzonym kablem zasilającym lub wtyczką, które spadło na ziemię lub zostało uszkodzone w jakikolwiek inny sposób.
- ✿ Przy stosowaniu przedłużacza upewnij się, że jego parametry techniczne odpowiadają danym na tabliczce znamionowej narzędzia. Przy użyciu elektronarzędzia poza pomieszczeniem, skorzystaj z przedłużacza odpowiedniego do użytku na zewnątrz. Przy użyciu przedłużaczy bębnowych należy je rozwinąć, aby zapobiec przegrzaniu kabla.
- ✿ Elektronarzędzia można używać w wilgotnych pomieszczeniach lub na zewnątrz wyłącznie pod warunkiem, że jest podłączone do obwodu elektrycznego z wyłącznikiem różnicowoprądowym  $\leq 30$  mA. Użycie obwodu elektrycznego z wyłącznikiem różnicowoprądowym /RCD/ zmniejsza ryzyko porażenia prądem elektrycznym.
- ✿ Ręczne elektronarzędzia należy trzymać wyłącznie za izolowane powierzchnie uchwytów, ponieważ podczas pracy części tnące lub wierzące mogą zetknąć się z ukrytym przewodem lub przewodem zasilającym.

## Bezpieczeństwo osób

- ✿ Zachowaj ostrożność i czujność podczas korzystania z elektronarzędzia, zwracaj maksymalną uwagę na wykonywaną czynność. Skoncentruj się na pracy. Nie używaj elektronarzędzia, gdy jesteś zmęczony lub znajdujesz się pod wpływem narkotyków, alkoholu lub leków. Nawet chwila nieuwagi podczas używania

elektronarzędzia może spowodować poważne obrażenia ciała. Podczas pracy z elektronarzędziem nie wolno jeść, pić i palić.

- ✿ Używaj środków ochrony osobistej. Zawsze stosuj ochronę wzroku. Stosuj sprzęt ochronny odpowiedni do rodzaju wykonywanej pracy. Sprzęt ochronny, taki jak np. maska, obuwie ochronne z powłoką antypoślizgową, nakrycie głowy lub ochronniki słuchu, używany odpowiednio do warunków pracy, zmniejsza ryzyko obrażeń ciała.
- ✿ Unikaj niezamierzonego włączania narzędzia. Nie wolno przenosić narzędzi podłączonych do sieci elektrycznej trzymając palec na przełączniku lub spuście. Przed podłączeniem do zasilania należy się upewnić, że wyłącznik lub spust są w pozycji „wyłączone”. Przenoszenie urządzenia z palcem umieszczonym na wyłączniku lub podłączanie wtyczki do gniazdka z włączonym wyłącznikiem może być przyczyną poważnych obrażeń.
- ✿ Usuń wszystkie klucze nastawcze i narzędzia przed włączeniem urządzenia. Klucz nastawczy lub narzędzie pozostawione i podłączone do obracającej się części elektronarzędzia może być przyczyną powstania obrażeń.
- ✿ Utrzymuj zawsze stabilną postawę i równowagę. Pracuj tylko tam, gdzie możesz dosięgnąć z zachowaniem bezpieczeństwa. Nie przeceniaj własnych sił. Nie używaj elektronarzędzia, gdy jesteś zmęczony.
- ✿ Noś odpowiednią odzież. Noś ubrania robocze. Nie używaj luźnej odzieży ani biżuterii. Zadbaj, aby włosy, ubranie, rękawiczki lub inne części ciała nie zbliżyły się zbytnio do obracających się lub gorących części elektronarzędzia.
- ✿ Podłącz urządzenie do odsysania pyłu. Jeśli narzędzie ma możliwość podłączenia urządzenia do wychwytywania lub odsysania pyłu, upewnij się, że jest prawidłowo podłączone i używane. Korzystanie z takich urządzeń może ograniczyć ryzyko wystąpienia pyłu.
- ✿ Mocno zamocuj obrabiany przedmiot. Użyj zacisku stolarskiego lub imadła, aby zamocować obrabiany element.
- ✿ Nie należy używać elektronarzędzia pod wpływem alkoholu, narkotyków, leków lub innych środków odurzających lub uzależniających.
- ✿ Urządzenie nie jest przeznaczone do użytku przez od osoby (łącznie z dziećmi) o obniżonych zdolnościach fizycznych, zmysłowych lub psychicznych, małym doświadczeniu i wiedzy, o ile nie znajdują się one pod nadzorem lub nie zostały pouczone w kwestii użytkowania urządzenia przez osobę odpowiedzialną za ich bezpieczeństwo. Dzieci powinny pozostawać pod nadzorem, aby zapewnić, że nie będą się bawić urządzeniem.

### Korzystanie z narzędzi akumulatorowych

- ✿ Przed włożeniem akumulatora należy się upewnić, że przełącznik jest w pozycji „0-wyłączony”. Włożenie akumulatora do włączonego urządzenia może spowodować powstanie niebezpiecznych sytuacji.
- ✿ Do ładowania akumulatorów należy używać wyłącznie ładowarek zalecanych przez producenta. Używanie ładowarki do innego typu baterii może spowodować jej uszkodzenie i wywołać pożar.
- ✿ Używaj tylko baterii przeznaczonych do tego urządzenia. Użycie innych baterii może spowodować obrażenia lub pożar.
- ✿ Jeżeli bateria nie jest używana, trzymaj ją z dala od metalowych przedmiotów, takich jak styki, klucze, śruby i inne małe metalowe przedmioty, które mogą spowodować połączenie jednego styku baterii z drugim. Zwarcie baterii może spowodować obrażenia, oparzenia lub pożar.
- ✿ Z bateriami należy obchodzić się ostrożnie. W przypadku nieostrożnego obchodzenia się z baterią może dojść do wycieku substancji chemicznych. Unikaj kontaktu z tą substancją chemiczną, a jeżeli dojdzie do kontaktu, przemyj dotknięty obszar bieżącą wodą. Jeśli substancja chemiczna dostanie się do oczu, natychmiast zasięgnij porady lekarza. Substancja chemiczna z baterii może spowodować poważne obrażenia.



## Serwis

- ✿ Nie wymieniaj części urządzenia, nie wykonuj napraw samodzielnie ani nie ingeruj w inny sposób w jego konstrukcję. Zleć naprawy narzędzi wykwalifikowanemu personelowi.
- ✿ Każda naprawa lub modyfikacja urządzenia wykonana bez upoważnienia naszej firmy jest niedopuszczalna (może spowodować obrażenia lub szkody dla użytkownika).
- ✿ Zawsze oddawaj elektronarzędzia do naprawy w certyfikowanym centrum serwisowym. Używaj wyłącznie oryginalnych lub zalecanych części zamiennych. Zapewni to bezpieczeństwo Tobie i Twoim narzędziom.

## Odrzut i odpowiednie ostrzeżenia

- ✿ Odrzut to nagła reakcja na przycięcie lub zablokowanie obracającej się tarczy, podkładki, szczotki lub innego elementu. Zablokowanie lub zakleszczenie się narzędzia pracy powoduje nagłe zatrzymanie rotującego elementu, co wprawia narzędzie w niekontrolowany ruch w kierunku przeciwnym od kierunku obrotów elementu w miejscu jego zablokowania.  
Jeżeli na przykład dojdzie do zablokowania lub zakleszczenia się tarczy ściernej w obrabianym elemencie, krawędź tarczy, która wchodzi w punkt zakleszczenia, może wejść w powierzchnię materiału, co spowoduje uniesienie narzędzia lub odrzut. Tarcza może wyskoczyć w kierunku użytkownika lub od użytkownika w zależności od kierunku obrotu tarczy w punkcie jej zablokowania. W takich warunkach może również dojść do pęknięcia tarczy ściernej.  
Odrzut jest skutkiem nieprawidłowego użycia narzędzia, niewłaściwego postępowania lub nieprawidłowych warunków pracy a aby mu zapobiec, należy przestrzegać poniższych wskazań.
- ✿ Trzymaj narzędzie mocno przez cały czas pracy i utrzymuj taką pozycję ciała i ramion, aby móc zniwelować siłę odrzutu. Zawsze używaj uchwytu pomocniczego, jeżeli jest dostępny, aby zapewnić maksymalną kontrolę nad odrzutem lub nad przeciążeniem podczas rozruchu. Operator może kontrolować przeciążenie lub siłę odrzutu przy zachowaniu odpowiednich środków ostrożności.
- ✿ Nie wkładaj ręk w miejsca znajdujące się w pobliżu obracających się elementów. Elementy mogą zostać odrzucone w tył przez Twoje ręce.
- ✿ Nie stawaj w miejscach, w kierunku których mogłyby zostać przemieszczone narzędzie w przypadku odrzutu. Siła odrzutu przemieści narzędzie w kierunku przeciwnym od kierunku ruchu narzędzia w miejscu jego zablokowania.
- ✿ Zachowaj ostrożność podczas pracy w pobliżu narożników, ostrych krawędzi itd. Unikaj odskakiwania i uchwycenia elementów. Narożniki, ostre krawędzie lub podskakiwanie elementów roboczych mogą spowodować uchwycenie obracających się części i utratę kontroli lub odrzut.
- ✿ Nie używaj łańcucha piły, tarczy do obróbki drewna lub tarczy zębatych pilarki. Takie tarcze stwarzają ryzyko odrzutu i utraty kontroli nad narzędziem.

**⚠ UWAGA!** Przed użyciem przeczytaj dokładnie niniejsze wskazówki dotyczące bezpieczeństwa i przechowuj je w bezpiecznym miejscu.

- ✿ Nieprzestrzeganie wskazówek zawartych w niniejszej instrukcji może spowodować powstanie obrażeń.
- ✿ Szlifierka kąтова spełnia wymagania obowiązujących przepisów i norm.
- ✿ Nie stosuj akcesoriów innych niż tarcze szlifierskie, tnące i diamentowe.
- ✿ Nie używaj tego narzędzia bez siatki zabezpieczającej.
- ✿ Stosuj środki ochrony oczu (okulary ochronne lub osłonę twarzy) i słuchu.
- ✿ Nie używaj żadnych tarcz tnących i szlifierskich do szlifowania bocznego.
- ✿ Podczas pracy w zapyłonym środowisku upewnij się, że otwory wentylacyjne nie są zatkane przez zanieczyszczenia.

- ✿ Przed rozpoczęciem cięcia w ścianach sprawdź, czy za ścianą nie znajduje się instalacja elektryczna (przy pomocy wykrywacza metali).
- ✿ Zabrania się chłodzenia tarczy szlifierskiej wodą.
- ✿ Po zakończeniu obróbki nie dotykaj krawędzi obrabianego elementu, ponieważ może być gorąca.
- ✿ Nie mocuj tej szlifierki do stołu roboczego.
- ✿ Upewnij się, że wartość obrotów wskazana na tarczy szlifierskiej jest większa lub równa wartości obrotów podanej na tabliczce znamionowej tej szlifierki.
- ✿ Nie tnij żadnych materiałów, które wymagają cięcia z maksymalną szerokością przekraczającą głębokość tarczy szlifierskiej.
- ✿ Nie tnij i nie szlifuj metali lekkich o zawartości magnezu większej niż 80%, ponieważ metale takie są łatwopalne.
- ✿ Upewnij się, że wymiary tarczy szlifierskiej są prawidłowe i że jest ona odpowiednio zamontowana na wale szlifierki.
- ✿ Z tarczami szlifierskimi należy obchodzić się ostrożnie, zgodnie z instrukcją dołączoną do tarczy szlifierskiej.
- ✿ Przed każdym użyciem skontroluj tarczę szlifierską.
- ✿ Nie używaj pękniętych lub uszkodzonych w inny sposób tarcz szlifierskich.
- ✿ Upewnij się, że tarcza szlifierska została zamontowana zgodnie z instrukcją.
- ✿ Po zamontowaniu tarczy szlifierskiej pozostaw szlifierkę pracującą na wolnych obrotach w bezpiecznym miejscu. Jeżeli w szlifierce dochodzi do dużych wibracji lub jeżeli tarcza szlifierska wykazuje widoczne oznaki uszkodzenia, natychmiast wyłącz szlifierkę i spróbuj ustalić przyczynę.
- ✿ Nie stosuj żadnych elementów redukcyjnych ani innych akcesoriów do montażu tarczy ściernej przeznaczonej do wałów o różnych średnicach.
- ✿ Upewnij się, że obrabiany przedmiot jest odpowiednio zablokowany lub zamocowany. Nie używaj tarczy szlifierskiej do gratowania.
- ✿ Upewnij się, że podjęto odpowiednie środki ostrożności, aby strumień iskier nie mógł dosięgnąć osób trzecich ani nie spowodował zapalenia się materiałów łatwopalnych.
- ✿ Jeżeli w osi tarczy szlifierskiej znajduje się jakaś osoba, należy podjąć odpowiednie środki ostrożności. Upewnij się, że obszar w pobliżu stanowiska pracy jest oczyszczony.
- ✿ Przycisk blokady tarczy (3) naciśnij dopiero po całkowitym zatrzymaniu silnika i wału szlifierki!
- ✿ Pamiętaj, że ze względu na bezwładność, po wyłączeniu szlifierki tarcza szlifierska będzie się jeszcze przez pewien czas obracać.
- ✿ Korzystaj z uchwytu pomocniczego dołączonego do tego narzędzia. Utrata kontroli nad elektronarzędziem może być przyczyną powstania obrażeń.

**⚠ UWAGA!** Stosuj środki ochrony przed hałasem, pyłem i drganiami!!!

**⚠ UWAGA!** Zachowaj niniejsze wskazówki bezpieczeństwa do późniejszego użytku!!!

## Ostrzeżenia dotyczące szlifowania i przecinania

### Przecinanie

- ✿ Stosuj wyłącznie typy tarcz, które są zalecane dla Twojego narzędzia oraz osłonę przeznaczoną do danej tarczy. Tarcze, które nie są przeznaczone do użytku w tym elektronarzędziu, nie mogą być odpowiednio zabezpieczone i stanowią zagrożenie.
- ✿ Powierzchnia ścierna tarczy z wgłębionym środkiem musi być zamontowana pod płaszczyznę krawędzi osłony. Nieprawidłowo zamontowana tarcza, która wystaje ponad płaszczyznę osłony, nie zapewni odpowiedniego poziomu zabezpieczenia.

- ☛ Osłona musi być bezpiecznie przymocowana do narzędzia i musi być umieszczona tak, aby zapewnić maksymalne bezpieczeństwo i aby w stronę użytkownika skierowana była jak najmniejsza część nieosłoniętej tarczy. Osłona chroni operatora przed odłamkami tarczy, przypadkowym kontaktem z tarczą i iskrami, które mogłyby spowodować zapalenie się odzieży.
  - ☛ Tarczy można używać wyłącznie do zalecanych prac. Zabrania się na przykład szlifowania bocznej części tarczy tnącej. Tarcze ściernie tnące są przeznaczone do szlifowania obwodowego, a siły boczne działające na te tarcze mogą spowodować ich zniszczenie.
  - ☛ W każdym przypadku stosuj nieuszkodzone kołnierze tarcz, o rozmiarze i kształcie odpowiednim dla wybranej tarczy. Prawidłowe kołnierze podtrzymują tarczę, zmniejszając ryzyko pęknięcia tarczy. Kołnierze tarcz tnących mogą się różnić od kołnierzy tarcz szlifierskich.
  - ☛ Nie używaj zużytych wzmocnionych tarcz od większych szlifierek elektrycznych. Tarcze przeznaczone do większych elektronarzędzi nie są przeznaczone do użytku przy wyższych obrotach mniejszych narzędzi, dlatego mogą pęknąć.
- Inne ostrzeżenia dotyczące prac przy użyciu tarcz tnących.
- ☛ Unikaj zablokowania tarczy tnącej i nie wywieraj nadmiernego nacisku na tarczę. Nie próbuj wykonywać cięcia o zbyt dużej głębokości. Nadmierny nacisk zwiększa obciążenie i podatność na skręcenie lub zablokowanie tarczy w miejscu cięcia, zwiększając ryzyko odrzutu lub złamania tarczy.
  - ☛ Nie stawaj w osi obracającej się tarczy oraz za obracającą się tarczą. Jeżeli tarcza w miejscu obróbki porusza się w kierunku od operatora, siła odrzutu może skierować obracającą się tarczę i elektronarzędzie bezpośrednio na użytkownika.
  - ☛ W przypadku zablokowania tarczy lub przerwania cięcia z jakiegokolwiek powodu, wyłącz narzędzie i trzymaj je bez ruchu aż do całkowitego zatrzymania tarczy. W żadnym przypadku nie próbuj wyjmować tarczy tnącej z miejsca cięcia, jeżeli tarcza się obraca, ponieważ mogłoby to spowodować odrzut. Należy przewidywać i podejmować działania naprawcze, aby wyeliminować przyczynę zablokowania tarczy.
  - ☛ Nie podejmuj kolejnej próby rozpoczęcia cięcia obrabianego przedmiotu. Poczekaj, aż tarcza osiągnie maksymalną prędkość obrotową i ostrożnie wprowadź ją ponownie w miejsce cięcia. Jeżeli szlifierka zostanie ponownie uruchomiona w obrabianym przedmiocie, tarcza może się zablokować, może odskoczyć w górę lub może dojść do odrzutu.
  - ☛ Podeprzyj panele lub inne obrabiane przedmioty o dużych rozmiarach tak, aby zminimalizować ryzyko zablokowania i odrzutu tarczy. Duże obrabiane przedmioty mają tendencję do poruszania się pod własnym ciężarem. Wsporniki należy umieścić pod obrabianym przedmiotem w pobliżu linii cięcia i w pobliżu krawędzi obrabianego przedmiotu po obu stronach tarczy.
  - ☛ Przy wykonywaniu cięć w ścianach lub innych miejscach, w których nie ma możliwości ustalić, co znajduje się za nimi, należy zachować szczególną ostrożność. Wysunięta tarcza może przeciąć instalację gazową lub wodociągową, przewody elektryczne lub przedmioty, które mogą spowodować odrzut.
- Ostrzeżenia dotyczące prac szlifierskich
- ☛ Nie stosuj papieru ściernego o zbyt dużych wymiarach. Przy wyborze papieru ściernego przestrzegaj wskazówek i zaleceń producenta. Większy papier ścierny, wystający poza krawędź podkładki ścierniej stanowi ryzyko powstania ran ciętych i może spowodować zakleszczenie lub rozdarcie tarczy albo odrzut.
- Ostrzeżenia dotyczące prac przy użyciu tarcz drucianych
- ☛ Należy pamiętać, że do wypadania pojedynczych drutów z tarczy drucianej może dojść nawet podczas normalnej pracy. Nie należy przeciążać tarcz drucianych nadmiernym naciskiem. Odłamki drutów mogą łatwo przenikać przez cienką odzież lub przez skórę.
  - ☛ Jeżeli podczas pracy z tarczą drucianą zalecane jest stosowanie osłony, nie należy dopuścić do kontaktu tarczy lub szczotki drucianej z taką osłoną. Tarcza lub szczotka druciana pod wpływem obciążenia i siły odśrodkowej może zwiększyć swoją średnicę.

### 3. PRACA ZE SZLIFIERKĄ KĄTOWĄ

- ✿ Optymalny kąt tarczy w stosunku do obrabianego elementu wynosi 150°.
- ✿ Należy utrzymywać jak największą odległość między tarczą a użytkownikiem szlifierki.
- ✿ Na tarczę należy wywierać minimalny nacisk, nie obciążając jej z boku. Utrzymuj kierunek obrotów i zwracaj uwagę na powstające iskry.
- ✿ Nie dopuść do stukania w obrabiany przedmiot.
- ✿ Jeżeli średnica tarczy będzie mniejsza niż 80 mm, wymień tarczę.

### 4. SYMBOLE



Ten produkt spełnia wymagania obowiązujących norm i przepisów.



Przed użyciem przeczytaj uważnie instrukcję obsługi.



Używaj środków ochrony oczu



Używaj środków ochrony słuchu



Gwint wału: M 14

## 5. OPIS I SPECYFIKACJA PRODUKTU



Przeczytaj wszystkie ostrzeżenia dotyczące bezpieczeństwa i wszystkie zalecenia. Nieprzestrzeganie wszystkich podanych ostrzeżeń i zaleceń może spowodować porażenie prądem elektrycznym, pożar lub poważne obrażenia.

### Przeznaczenie

Narzędzie jest przeznaczone do cięcia, szlifowania i szcztotkowania materiałów metalowych i kamiennych bez użycia wody. Podczas cięcia przy pomocy łączonych materiałów ściernych należy stosować specjalną osłonę (wyposażenie).

Podczas cięcia kamienia należy zapewnić wydajne odciąganie pyłu. Z odpowiednim narzędziem ściernym, szlifierki można używać do szlifowania przy pomocy tarcz szlifierskich.

### Opis produktu

Numerowanie w opisie tego produktu odnosi się do rysunków narzędzia na stronie z grafiką.

1. Dźwignia zwalnająca osłony
2. Przycisk blokady wału
3. Włącznik
4. Uchwyt pomocniczy
5. Wał szlifierki
6. Osłona do szlifowania
7. Kołnierz montażowy
8. Tarcza szlifierska (w zestawie)
9. Nakrętka mocująca
10. Osłona do cięcia (należy zakupić oddzielnie)
11. Tarcza tnąca (należy zakupić oddzielnie)
12. Strzałka kierunku obrotów na osłonie narzędzia

Oprócz bezpiecznego użytkowania narzędzia, należy przestrzegać następujących zaleceń:

1. Przed użyciem należy dokładnie skontrolować tarczę szlifierską. Na tarczy szlifierskiej nie może być żadnych pęknięć.
2. Przed użyciem tej szlifierki kątowej sprawdź, czy kierunek obrotów tarczy szlifierskiej jest zgodny z kierunkiem strzałki, znajdującej się na osłonie głowicy przekładni redukcyjnej.
3. Podczas szlifowania nie wywieraj na narzędzie zbyt dużego nacisku i nie pozwól, aby dochodziło do uderzeń tarczy szlifierskiej, ponieważ pęknięta tarcza szlifierska stanowi ryzyko powstania obrażeń. W przypadku użycia szlifierki do cięcia, nie ustawiaj tarczy szlifierskiej w płaszczyźnie poziomej.
4. Przy użyciu szlifierki do polerowania, w razie wystąpienia jednej z poniższych sytuacji należy natychmiast wyłączyć narzędzie i ustalić przyczynę problemu. Po przeprowadzeniu standardowej konserwacji można kontynuować użytkowanie narzędzia.
  - ① Elementy przekładni są zablokowane, obroty silnika nagle spadły i narzędzie zatrzymało się.
  - ② Pojawił się dziwny dźwięk, doszło do zbyt dużego wzrostu temperatury lub pojawił się nieprzyjemny zapach.
  - ③ Doszło do pęknięcia tarczy szlifierskiej.
  - ④ Występuje zbyt duże iskrzenie komutatora i pojawia się pierścień iskier.

**Prawidłowa obsługa i użycie szlifierki kątovej**

1. Podczas pracy z tą szlifierką jako polerką, narzędzie należy najpierw uruchomić, a potem rozpocząć polerowanie. Zakończ pracę, unieś narzędzie nad obrabiany przedmiot i odłącz narzędzie od zasilania. Podczas pracy należy wywierać równomierny nacisk na obrabiany przedmiot. Nie przykładaj zbyt dużej siły do obrabianego przedmiotu.
2. Aby uzyskać odpowiedni efekt, płaszczyzna tarczy szlifierskiej i płaszczyzna obróbki muszą w miarę możliwości tworzyć kąt 15° do 30°. W przypadku użycia szlifierki kątovej do cięcia, należy dociskać ją wzdłuż płaszczyzny tarczy tnącej. Nie poruszaj narzędziem w lewo i w prawo, aby nie doszło do uszkodzenia tarczy szlifierskiej.
3. Podczas szlifowania elementów z różnych materiałów, należy wybrać tarcze szlifierskie o różnej dokładności i twardości, aby zagwarantować wymaganą skuteczność szlifowania. Ogólne zasady wyboru:
  - (1) szlifowanie zgrubne odlewów, wybór spośród tarcz szlifierskich 12# ~ 16#,
  - (2) czyszczenie odlewów, żeliwa, wybór spośród tarcz szlifierskich 16# ~ 24#,
  - (3) polerowanie spawów, szlifowanie powierzchni, wybór spośród tarcz szlifierskich 36# ~ 46#.
4. Podczas pracy należy używać okularów ochronnych.

## 6. DANE TECHNICZNE

Model	FDUB 70605-0
Napięcie znamionowe	20 V
Obroty na biegu jałowym	7 500 obr./min ± 10 %
Maksymalna średnica tarczy	115 mm
Gwint wału	M14
Średnica otworu mocującego tarczy szlifierskiej	22,2 mm

**Akcesoria**

Numer pozycji	Akcesoria
FDUZ 79020	Akumulator 2 Ah
FDUZ 79040	Akumulator 4 Ah
FDUZ 79100	Szybka ładowarka
FDUZ 79110	Podwójna szybka ładowarka

## 7. KONSERWACJA I SERWIS

### Konservacja szlifierki kątovej

1. Utrzymuj otwory wentylacyjne w czystości i regularnie usuwaj nagromadzone zabrudzenia.
2. Co najmniej raz na kwartał przeprowadź kompleksową kontrolę i uzupełnij smar. Należy zapewnić, aby zmierzona wartość oporu izolacji nie była mniejsza niż 7 MΩ. Jeżeli jest mniejsza niż 7 MΩ, prace należy prowadzić w suchym środowisku.

Standardowe usterki i metody konserwacji tej szlifierki kątovej opisano w poniższej tabeli.

Stwierdzony problem	Prawdopodobna przyczyna	Procedura konserwacji i naprawy
Silnik nie uruchamia się po włączeniu	<ol style="list-style-type: none"> <li>1. Brak napięcia zasilającego</li> <li>2. Uszkodzony styk lub włącznik</li> <li>3. Szczotka nie styka się z powierzchnią komutatora</li> <li>4. Uszkodzone uzwojenie lub cewka statora</li> </ol>	<ol style="list-style-type: none"> <li>1. Doprowadź napięcie zasilające</li> <li>2. Napraw lub wymień włącznik</li> <li>3. Wyreguluj naprężenie i pozycję sprężyny dodatniej szczotki tak, aby szczotka stykała się z powierzchnią komutatora</li> <li>4. Jeżeli nastąpiła przerwa na wyjściu, może być użyte po ponownym połączeniu. W przeciwnym razie należy je przewinąć lub wymienić</li> </ol>
Silnik elektryczny wydaje dziwny dźwięk i nie obraca się lub obraca się bardzo wolno	<ol style="list-style-type: none"> <li>1. Spalony styk włącznika</li> <li>2. Zablokowane elementy mechaniczne</li> <li>3. Nacisk osiowy przekracza dopuszczalne obciążenie</li> <li>4. Uszkodzony silnik</li> <li>5. Napięcie zasilające jest zbyt niskie</li> <li>6. Uszkodzenie kół zębatach stożkowych</li> </ol>	<ol style="list-style-type: none"> <li>1. Wymień włącznik</li> <li>2. Skontroluj elementy mechaniczne</li> <li>3. Zmniejsz nacisk osiowy</li> <li>4. Wymień silnik</li> <li>5. Doprowadź prawidłowe napięcie zasilające</li> <li>6. Wymień przekładnię</li> </ol>
Nadmierne rozgrzanie skrzyni przekładni	<ol style="list-style-type: none"> <li>1. Brak smaru w skrzyni lub zanieczyszczony smar</li> <li>2. Zbyt mocno dokręcona przekładnia lub zanieczyszczenia wewnątrz przekładni</li> </ol>	<ol style="list-style-type: none"> <li>1. Uzupełnij lub wymień smar</li> <li>2. Wyreguluj przekładnię, wymień przekładnię lub usuń zanieczyszczenia</li> </ol>

### Ostona do cięcia

- \* Podczas cięcia przy pomocy łączonych materiałów ściernych należy stosować ostonę do cięcia 10.
- \* Zapewnij należyty odciąg pyłu podczas cięcia kamieni.

Ostona do cięcia 10 jest zamontowana w taki sam sposób, jak ostona do szlifowania. 6 Prowadnica cięcia z ostoną do odprowadzenia pyłu. Ta prowadnica cięcia z ostoną do odprowadzenia pyłu jest zamontowana w taki sam sposób, jak ostona do szlifowania 6.

### Uchwyt pomocniczy

- ☛ Używaj tego narzędzia wyłącznie z uchwytem pomocniczym 4. W zależności od rodzaju wykonywanej pracy przykręć uchwyt pomocniczy 4 do lewej lub prawej części głowicy narzędzia.

### Oslona dłoni

- ☛ Podczas wykonywania prac z gumowym wspornikiem ściernym 13 lub ze szczotką talerzową / tarczą drucianą / tarczą płytkową, zamontuj na szlifierce osłonę dłoni 12.

Oslona dłoni 12 jest połączona z uchwytem pomocniczym 4.

### Montaż narzędzi ściernych

- ☛ Przed rozpoczęciem jakichkolwiek czynności związanych z tym narzędziem, odłącz kabel zasilający z gniazdka.
- ☛ Nie dotykaj tarcz ściernych lub tnących przed ich całkowitym ostygnięciem. Tarcze te po zakończeniu pracy mogą być bardzo gorące.

Oczyść wał szlifierki 5 i wszystkie zamontowane elementy.

Podczas montażu i demontażu tarcz ściernych zablokuj wał szlifierki naciskając przycisk blokady wału 2.

- ☛ Przycisku blokady wału używaj wyłącznie w sytuacji, gdy wał jest całkowicie zatrzymany. W przeciwnym razie może dojść do uszkodzenia narzędzia.

### Tarcza szlifierska/tnąca

Zwracaj uwagę na wymiary tarcz szlifierskich. Średnica otworu montażowego musi odpowiadać kołnierzowi montażowemu bez najmniejszego luzu. Nie używaj elementów redukcyjnych lub przejściówek.

Przy użyciu diamentowych tarcz tnących należy pamiętać, aby kierunek strzałki na diamentowej tarczy tnącej był zgodny z kierunkiem strzałki, wskazującej obroty narzędzia (zob. strzałka kierunku obrotów na głowicy narzędzia).

Procedura montażu, zob. strona z rysunkami.

Podczas mocowania tarczy szlifierskiej/tnącej, nakręć na wał nakrętkę mocującą 9 i dokręć ją przy pomocy klucza z dwoma sworzniami.

- ☛ Po zamontowaniu tarczy szlifierskiej i przed włączeniem urządzenia sprawdź, czy tarcza szlifierska jest zamontowana prawidłowo i czy może się swobodnie obracać. Upewnij się, że tarcza szlifierska nie styka się z elementami narzędzia.

### Dopuszczalne tarcze szlifierskie

Wszystkie narzędzia szlifierskie wymienione w niniejszej instrukcji obsługi są dopuszczone do użytku.

Dopuszczalne obroty ( $\text{min}^{-1}$ ) lub prędkość obwodowa ( $\text{m/s}$ ) zastosowanej tarczy szlifierskiej muszą być co najmniej takie same, jak wartość wskazane w tabeli.

Dlatego należy przestrzegać wartości obrotów/prędkości obrotowej wskazanych na etykiecie tarczy szlifierskiej.



## 8. UTYLIZACJA



Narzędzie, akumulator, akcesoria i opakowania należy poddać sortowaniu, aby zapewnić ich ekologiczną utylizację.

Nie wyrzucaj narzędzi elektrycznych i baterii lub akumulatorów do odpadów komunalnych!

### Wyłącznie dla krajów Unii Europejskiej:



Zgodnie z europejską dyrektywą 2012/19/UE narzędzia elektryczne, które nie są już używane, a zgodnie z europejską dyrektywą 2006/66/EC, uszkodzone lub zużyte zestawy baterii/akumulatorów należy zbierać oddzielnie i utylizować w sposób nieszkodliwy dla środowiska.

### WSKAZÓWKI I INFORMACJE DOTYCZĄCE UTYLIZACJI ZUŻYTYCH OPAKOWAŃ

Wszelkie zużyte opakowania należy przekazać do miejsca określonego przez urząd ds. utylizacji odpadów.

### UTYLIZACJA ZUŻYTYCH URZĄDZEŃ ELEKTRYCZNYCH I ELEKTRONICZNYCH



Ten symbol umieszczony na produktach lub w załączonej dokumentacji oznacza, że zużyte urządzenia elektryczne i elektroniczne nie mogą być wyrzucane do odpadów komunalnych. Przekaż te produkty do właściwego punktu zbiórki odpadów, gdzie zostanie przeprowadzona ich prawidłowa utylizacja, renowacja lub recykling. W niektórych krajach Unii Europejskiej lub w niektórych państwach europejskich przy zakupie nowego podobnego produktu można dokonać zwrotu zużytego produktu lokalnemu sprzedawcy. Przez prawidłową utylizację tego produktu przyczyniasz się do ochrony cennych zasobów naturalnych i zapobiegasz ewentualnemu negatywnemu wpływowi odpadów na środowisko naturalne i zdrowie ludzkie, do którego mogłoby dojść w wyniku nieprawidłowej utylizacji odpadu. Szczegółowych informacji udzielą lokalne urzędy lub najbliższy punkt zbiórki odpadów. Nieprawidłowa utylizacja tego rodzaju odpadów może podlegać karom pieniężnym zgodnie z obowiązującymi przepisami krajowymi.

### Dla firm, które działają w krajach Unii Europejskiej

Jeśli chcesz zutylizować urządzenia elektryczne lub elektroniczne, zasięgnij informacji u swego sprzedawcy lub dostawcy. Utylizacja w krajach poza Unią Europejską. Jeżeli chcesz zutylizować ten produkt, zasięgnij niezbędnych informacji w lokalnych urzędach lub u sprzedawcy.



Produkt ten spełnia wszystkie podstawowe wymogi dyrektyw UE.

Tekst, design i dane techniczne mogą ulec zmianie bez uprzedzenia. Zastrzegamy sobie prawo do dokonania takich zmian.

Przekład oryginalnej instrukcji obsługi.

## 9. DEKLARACJA ZGODNOŚCI

# FAST®

**FAST ČR, a.s.**  
Černokostecká 1621, 251 01 Říčany, Czech Republic  
tel.: +420 323 204 111, Fax: +420 323 204 110

### EU DECLARATION OF CONFORMITY

**Product / brand:** Cordless Angle Grinder / **FIELDMANN**

**Type / model:** **FDUB 70605-0** as factory model SOM-WYT01-18Li-115  
DC 20V (battery powered), speed 7500/m<sup>1</sup>, diameter 115mm,  
Class III, IPX0  
L<sub>PA</sub> = 81,7dB(A), L<sub>WA</sub> = 92,7dB(A)

**Manufacturer:** FAST ČR, a.s.  
Černokostecká 2111, 100 00 Praha 10, Czech Republic  
VAT no: CZ26726548

**The product is inline with directives and regulations listed below:**

Directive MD 2006/42/EC  
Directive EMC 2014/30/EU  
Directive NEOF 2000/14/EC  
Directive RoHS 2011/65/EU

**and norms:**

EN 60745-1:2009+A11  
EN 60745-2-3:2011+A2+A11+A12+A13  
EN 55014-1:2017  
EN 55014-2:2015



**Place of issuance:** Prague

**Name:** Ing. Zdeněk Pech  
Chairman of the Board

**Date of issuance:** 22. 7. 2020

**Signature:**

**FAST®** FAST ČR, a.s.   
Černokostecká 1621, 251 01 Říčany  
IČO: 26726548 tel.: +420/ 323 204 111  
DIČ: CZ26726548 fax: +420/ 323 204 110

IČO: 26 72 65 48, DIČ: CZ-26 72 65 48

**Bankovní spojení:** Komerční banka Praha 1, č.ú. 89309011/0100, Česká spořitelna Praha 4, č.ú. 2375682/0800,  
CSOB Praha 1, č.ú. 8010-0116233383/0300



**Model /Modell /Modelis:** .....

**Záruční list /Záručný list/  
Warranty Certificate /Jótállási jegy/  
Garantijos taisyklės /Karta Gwarancyjna**

Výrobní číslo  
Výrobné číslo  
Serial No.  
Szériaszám  
Serijos Nr.  
Numer seryjny

Razítko a podpis prodejce  
Pečiatka a podpis predajcu  
Dealer's stamp  
A kereskedő bélyegzője  
Pardavėjo antspaudas  
Pieczęćka i podpis sklepu

Datum prodeje  
Dátum predaja  
Date of purchase  
A vásárlás dátuma  
Pardavimo data  
Data zakupu

## Záruční podmínky

Prodávající poskytuje kupujícímu na výrobek záruku v trvání 24 měsíců od převzetí výrobku kupujícím. Záruka se poskytuje za dále uvedených podmínek. Záruka se vztahuje pouze na nové spotřební zboží prodané vztahem pro běžné domácí použití. Práva z odpovědnosti za vady (reklamací) může kupující uplatnit buď u prodávajícího, u kterého byl výrobek zakoupen nebo u nižší uvedeném autorizovaném servisu. Kupující je povinen reklamaci součinností nutnou pro ověření existence reklamované vady. Do reklamačního řízení se přijímá pouze kompletní a z důvodů dodržení hygienických předpisů neznečištěný výrobek. V případě oprávněné reklamacie se záruční doba prodlužuje o dobu od okamžiku uplatnění reklamacie do okamžiku převzetí opraveného výrobku kupujícím nebo okamžiku, kdy je kupující po skončení opravy povinen výrobek převzít. Kupující je povinen prokázat svá práva reklamovat (doklad o zakoupení výrobku, záruční list, doklad o uvedení výrobku do provozu. . .).

### Záruka se nevztahuje zejména na:

- vady, na které byla poskytnuta sleva
- opotřebení a poškození vzniklé běžným užíváním výrobku
- poškození výrobku v důsledku neodborné či nesprávné instalace, použití výrobku v rozporu s návodem k použití, platnými právními předpisy a obecně známými a obvyklými způsoby používání, v důsledku použití výrobku k jinému účelu, než ke kterému je určen
- poškození výrobku v důsledku zanedbané nebo nesprávné údržby
- poškození výrobku způsobené jeho znečištěním, nehodou a zásahem vyšší moci (živelná událost, požár, vniknutí vody. . .)
- vady funkčnosti výrobku způsobené nevhodnou kvalitou signálu, rušivým elektromagnetickým polem apod.
- mechanické poškození výrobku (např. ulomení knoflíku, pád. . .)
- poškození způsobené použitím nevhodných médií, náplní, spotřebního materiálu (baterie) nebo nevhodnými provozními podmínkami (např. vysoké okolní teploty, vysoká vlhkost prostředí, otřesy. . .)
- poškození, úpravu nebo jiný zásah do výrobku provedený neoprávněnou nebo neautorizovanou osobou (servisem)
- případy, kdy kupující při reklamaci neprokáže oprávněnost svých práv (kdy a kde reklamovaný výrobek zakoupil)
- případy, kdy se údaje v předložených dokladech liší od údajů uvedených na výrobku
- případy, kdy reklamovaný výrobek nelze ztotožnit s výrobkem uvedeným v dokladech, kterými kupující prokazuje svá práva reklamovat (např. poškození výrobního čísla nebo záruční plomba přístroje, prepisované údaje v dokladech. . .)

## Záruční podmienky

Predávajúci poskytuje kupujúcemu na výrobok 24 mesiacov záruku od jeho prevzatia kupujúcim. Záruka sa poskytuje ďalej za nižšie uvedených podmienok. Záruka sa vzťahuje iba na spotrebný tovar predaný spotrebiteľovi na bežné domáce použitie. Práva zo zodpovednosti za chyby (reklamácie) môže kupujúci uplatniť buď u predávajúceho, u ktorého bol výrobok zakúpený alebo v nižšie uvedenom autorizovanom servise. Kupujúci je povinný reklamáciu uplatniť bez zbytočného odkladu, aby nedochádzalo ku zhoršeniu chyby, najneskôr však do konca záručnej doby. Kupujúci je povinný pri reklamácií spolupracovať pri overení existencie reklamovanej chyby. Do reklamačného procesu sa prijíma iba kompletný a z dôvodu dodržania hygienických predpisov neznečistený výrobok. V prípade oprávnenej reklamácie sa záručná doba predlžuje o dobu od okamžiku uplatnenia reklamácie do okamžiku prevzatia opraveného výrobku kupujúcim, kedy je kupujúci po skončení opravy povinný výrobok prevziať. Kupujúci je povinný preukázať svoje práva reklamovať (doklad o zakúpení výrobku, záruční list, doklad o uvedení výrobku do prevádzky. . .).

### Záruka sa nevztahuje na:

- chyby, na ktoré boli poskytnuté zľavy
- opotrebenia a poškodenia vzniknuté bežným užívaním výrobku
- poškodenie výrobku v dôsledku neodborné či nesprávnej inštalácie, použitia výrobku v rozpore s návodom na použitie s platnými právnymi predpismi a všeobecne známymi a obvyklými spôsobmi používania, v dôsledku použitia výrobku za iným účelom, než na ktorý je určený
- poškodenie výrobku v dôsledku zanedbanej alebo nesprávnej údržby
- poškodenie výrobku spôsobené jeho znečistením, nehodou a zásahom vyššej moci (živelná udalosť, požiar, vniknutie vody. . .)
- chyby funkčnosti výrobku spôsobené nevhodnou kvalitou signálu, rušivým elektromagnetickým poľom a pod.
- mechanické poškodenie výrobku (napr. zlomenie gombíka, pád. . .)
- poškodenie spôsobené použitím nevhodných médií, náplní, spotrebného materiálu (baterie) alebo nevhodnými prevádzkovými podmienkami (napr. vysoké teploty v okolí, vysoká vlhkosť prostredia, otrasy. . .)
- poškodenie, úpravu alebo iný zásah do výrobku spôsobený neoprávnenou alebo neautorizovanou osobou (servisom)
- prípady, keď kupujúci pri reklamácií nepreukáže oprávnenosť svojich práv (kedy a kde reklamovaný výrobok zakúpil)
- prípady, keď sa údaje v predložených dokladoch líšia od údajov uvedených na výrobku
- prípady, keď reklamovaný výrobok sa neshoduje s výrobkom uvedeným v dokladoch, ktorými kupujúci preukazuje svoje práva reklamovať (napr. poškodenie výrobného čísla alebo záručnej plomby prístroja, prepisované údaje v dokladoch. . .)

## Conditions of guarantee

This product is warranted for the period of 24 months from the date of purchase to the end-user. Warranty is limited to the following conditions. Warranty is referred only to the customer goods using for common domestic use. The claim for service can be applied either at dealer's shop where the product was bought, or at below mentioned authorized service shops. The end-user is obligated to set up a claim immediately when the defects appeared but only till the end of warranty period. The end-user is obligated to cooperate to certify the claiming defects. Only completed and clean (according to hygienic standards) product will be accepted. In case of eligible warranty claim the warranty period will be prolonged by the period from the date of claim application till the date of taking over the product by end-user, or the date the end-user is obligated to take it over. To obtain the service under this warranty, end-user is obligated to certify his claim with duly completed following documents: receipt, certificate of warranty, certificate of installation. . .

### This warranty is void especially if apply as follows:

- Defects which were put on sale.
- Wear-out or damage caused by common use.
- The product was damaged by unprofessional or wrong installation, used in contrary to the applicable instruction manual, used in contrary to legal enactment and common process of use or used for another purpose which has been designed for.
- The product was damaged by uncared-for or insufficient maintenance.
- The product was damaged by dirt, accident of force majeure (natural disaster, fire, flood. . .).
- Defects on functionality caused by low quality of signal, electromagnetic field interference etc.
- The product was mechanically damaged (e.g. broken button, fall. . .).
- Damage caused by use of unsuitable media, fillings, expendable supplies (batteries) or by unsuitable working conditions (e.g. high temperatures, high humidity, quakes. . .).
- Repair, modification or other failure action to the product by unauthorized person.
- End-user did not prove enough his right to claim (time and place of purchase).
- Data on presented documents differs from data on products.
- Cases when the claiming product can not be identified according to the presented documents (e.g. the serial number or the warranty seal has been damaged).

## Autorizovaná servisní střediska / Autorizované servisné strediská / Authorized service centres

FAST ČR, a. s.  
Černokostelecká 1621  
CZ 251 01 Říčany  
Česká republika  
Tel.: +420/ 323 204 120  
Fax: +420/ 323 204 121  
servis.praha@fastcr.cz  
www.fastcr.cz

FAST ČR, a. s.  
Cejl 31  
CZ 602 00 Brno  
Česká republika  
Tel.: +420/ 531 010 295  
Fax: +420/ 531 010 296  
servis.brno@fastcr.cz  
www.fastcr.cz

Fast Plus, spol. s r. o.  
Na Pántoch 18  
SK 831 06 Bratislava  
Slovenská republika  
Tel.: +421/ 249 105 811  
Fax: +421/ 249 105 810  
fastplus@fastplus.sk  
www.fastplus.sk

## Jótállási jegy

A termék gyártója: **FAST ČR, a.s.** (Černokostelec-ká1621, Říčany u Prahy 251 01, Csehország)

A **FAST Hungary Kft.** (2310, Szigetszentmiklós, Kántor u. 10) mint a termék magyarországi importőre a jótállási jegyen feltüntetett típusú és gyártási számú készülékre jótállást biztosít a fogyasztók számára az alábbi feltételek szerint:

A FAST Hungary Kft. a termékre a fogyasztó részére történő átadástól (vásárlástól), illetve ha az üzembe helyezést a terméket értékesítő vállalkozás vagy annak megbízottja végzi, az üzembe helyezéstől számított **24 hónapig** tartó időtartamra vállal jótállást. A termék **alkotórészeire és tartozékaira** (pl. akkumulátor) a jótállási idő a termék átadásától számított **12 hónap**.

A jótállási igény a jótállási jeggyel, a vásárlástól (üzembe helyezéstől) számított 1 évig a terméket értékesítő vállalkozásnál, illetve a jótállási jegyen feltüntetett hivatalos szerviznél közvetlenül is, míg a 13. hónaptól a 24. hónapig kizárólag a hivatalos szerviznél érvényesíthető.

Jótállási jegy hiányában a fogyasztói szerződés megkötését bizonyítottan kell tekinteni, ha a fogyasztó bemutatja a termék ellenértékének megfizetését hitelt érdemlően igazoló bizonylatot. Mindezek érdekében kérjük tisztelt Vásárlóinkat, hogy őrizzék meg a fizetési bizonylatot is. A jótállási időn belüli meghibásodás esetén a fogyasztó - válasza szerint - (i) a hibás termék díjmentes kijavítását vagy kicserélését követelheti, kivéve, ha a választott igény teljesítése lehetetlen, vagy ha az a jótállásra kötelezettnek a fogyasztó által érvényesíteni kívánt másik igény teljesítésével összehasonlítva aránytalan többletköltséget eredményezne, vagy (ii) ha a kötelezett a kijavítást, illetve kicserélést nem vállalata, vagy e kötelezettségének megfelelő határidőn belül, a fogyasztó érdekeit kímélve nem tud eleget tenni, vagy ha a fogyasztónak a kijavításhoz vagy kicseréléshez fűződő érdeke megszűnt, akkor a fogyasztó megfelelő árleszállítást igényelhet, vagy a hibát a kötelezett költségére maga kijavíthatja vagy mással kijavíttathatja vagy elállhat a szerződéstől. Jelentéktelen hiba miatt elállásnak nincs helye. A fogyasztó a választott jogáról másira térhet át. Az áttéréssel okozott költséget köteles a jótállásra kötelezettnek megfizetni, kivéve, ha az áttérésre a jótállásra kötelezett adott okot, vagy az áttérés egyébként indokolt volt. A fogyasztó a hiba felfedezését követően késedelem nélkül, legkésőbb a felfedezéstől számított 2 hónapon belül köteles a hibát közölni. A bejelentés kapcsán kérjük vegye figyelembe, hogy a jótállási igény kizárólag a jótállási

határidőben érvényesíthető! Ugyanakkor, ha a jótállásra kötelezett jótállási kötelezettségének megfelelő határidőben nem tesz eleget, a jótállási igény a fogyasztó erre irányuló felhívásában tűzött megfelelő határidő elteltétől számított 3 hónapon belül akkor is érvényesíthető bíróság előtt, ha a jótállási idő már eltelt. E határidő elmulasztása jogvesztéssel jár. A jótállási kötelezettség teljesítésével kapcsolatosan felmerülő költségek a jótállás kötelezettjét terhelik.

A 151/2003. (IX.22.) Kormányrendeletben meghatározott tartós fogyasztási cikk meghibásodása miatt a vásárlástól (üzembe helyezéstől) számított három munkanapon belül érvényesített csereigény esetén a terméket értékesítő vállalkozás nem hivatkozhat aránytalan többletköltségre, hanem köteles a tartós fogyasztási cikket kicserélni, feltéve, hogy a meghibásodás a rendeltetésszerű használatot akadályozza. Kijavítás esetén a fogyasztási cikkbe csak új alkatrészek kerülhetnek beépítésre. A jótállásra kötelezett törekszik arra, hogy a kijavítás vagy kicserélés 15 napon belül megtörténjen. A rögzített bekötésű, illetve a 10kg-nál súlyosabb, vagy tömegközlekedési eszközön kézi csomagként nem szállítható fogyasztási cikket az üzemeltetés helyén kell megjavítani. Ha a javítás az üzemeltetés helyén nem végezhető el, a le- és felszerelésről, valamint az el- és visszaszállításról a jótállás kötelezettje, vagy – a javítószolgáltatónál közvetlenül érvényesített javítási igény esetén – a javítószolgálat gondoskodik.

Nem számít bele a jótállási időbe a javítási időnek az a része, amely alatt a fogyasztó a terméket nem tudja rendeltetésszerűen használni. A jótállási idő a terméknek a kicseréléssel vagy kijavítással érintett részére, valamint a kijavítás következményeként jelentkező hiba tekintetében újból kezdődik.

Nem tartozik jótállás alá a hiba és a jótállásra kötelezett mentesül a jótállási kötelezettség alól, ha bizonyítja, hogy a hiba oka a termék fogyasztó részére való átadását követően keletkezett, így például ha a hibát ■ nem rendeltetésszerű használat, használati útmutató figyelmen kívül hagyása, helytelen szállítás vagy tárolás, leejtés, rongálás, elemi kár, készüléken kívüli ok (pl. hálózati feszültség megengedettnél nagyobb ingadozása) ■ illetéktelen átalakítás, beavatkozás, nem hivatalos szerviz által végzett szakszerűtlen javítás ■ fogyasztó feladatát képező karbantartási munkák elmulasztása ■ normál, természetes elhasználódásra visszavezethető (pl. elem lemerülése) vagy üzemszerű kopásnak tulajdonítható meghibásodás okozta. A jótállás a fogyasztó jogszabályból eredő jogait, így különösen a Polgári Törvénykönyv szerinti kellékszavatossági illetve termékszavatossági jogait nem érinti.

Tájékoztatjuk, hogy az értékesítő vállalkozással felmerülő, fogyasztóvédelmi törvényben meghatározott fogyasztói jogvita bíróságon kívüli rendezése érdekében Ön a megyei (fővárosi) kereskedelmi és iparkamarák mellett működő beéltető testület eljárását is kezdeményezheti.

**Hivatalos szervíz / Autoryzowana sieć serwisowa**

revision 06/2017

Fast Hungary Kft.  
2310, Szigetszentmiklós  
Kántor u. 10  
Hungary  
Tel.: + 36/ 23 330 830  
Fax: + 36/ 23 330 8274  
fasthungary@fasthungary.hu  
www.fasthungary.hu

## Garantijos taisyklės

Šiam gaminiui suteikiama 24 mėnesių nuo įsigijimo datos garantija. Garantija apsiriboja žemiau pateikiamomis sąlygomis. Garantija skirta tik gaminiams, skirtiems buitiniam naudojimui. Dėl garantinio remonto pirkejas gali kreiptis į pardavėjo parduotuvę, kurioje gaminį pirkė, arba į nurodytus įgaliotus techninės priežiūros centrus. Galutinis naudotojas įsipareigoja pateikti pretenziją nedelsiant po defekto atsiradimo, tačiau tik iki garantijos galiojimo periodo pabaigos. Galutinis naudotojas įsipareigoja bendradarbiauti patvirtinant gaminio defektus, dėl kurių pateikiama pretenzija. Priimtas bus tik pilnai sukomplektuotas ir švarus (pagal higienos standartus) gamins. Jei pretenzija dėl garantinio remonto bus pageįsta, gaminio garantijos galiojimo periodas bus prailgintas atitinkamai periodu nuo pretenzijos pateikimo datos iki galutinis naudotojas pasims sutaisytą gaminį arba iki datos, kada galutinis naudotojas turėtų pasimti sutaisytą gaminį. Norėdamas gauti garantinio remonto paslaugas, galutinis naudotojas turi patvirtinti pretenziją pilnai užpildytas sekančiais dokumentais: pirkimo kvitu, garantiniu talonu, instaliavimo sertifikatu. . .

**Garantija netaikoma:** ■ Nukainotoms (brokuotoms) prekėms. ■ Įprastinai susidėvinčioms gaminio dalims ■ Gedimams, atsiradusiems neprofesionaliai ar neteisingai gaminį instaliavus, nesilaikant gaminio naudojimo instrukcijų, naudojant gaminį ne pagal įstatymų numatytus standartus ar įprastinius tokio tipo gaminių naudojimo procesus, naudojant gaminį kitai paskirčiai nei numatyta. ■ Gedimams, atsiradusiems dėl netinkamos ar nepakankamos gaminio priežiūros. ■ Gedimams, atsiradusiems dėl purvo, nenugalimos jėgos aplinkybių (stichinių nelaimių, gaisro, potvynio, . . .) ■ Gedimams, atsiradusiems dėl prastos kokybės signalo, elektromagnetinio lauko trikdžių ir kt. ■ Rodus mechaninių pažeidimų (pvz. sulaužyti mygtukai, kritimo požymiai. . .) ■ Gedimams, atsiradusiems naudojant gaminį su netinkamomis laikmenomis, jungiant prie netinkamų tinklų, dedant į gaminį netinkamus maitinimo šaltinius (baterijas) ar dėl bet kokių kitų netinkamų naudojimo sąlygų (pvz. aukštos temperatūros, didelės drėgmės, žemės drebjimų. . .) ■ Nustačius, kad gaminys taisytas, modifikuotas ar ardytas neįgaliotų tai daryti asmenų. ■ Jei galutinis naudotojas neturi visų reikalingų dokumentų, įrodančių jo teisę į garantinį remontą (pvz. dokumento, kur būtų nurodytas gaminio įsigijimo laikas ir vieta). ■ Jei data pateiktuose dokumentuose skiriasi nuo datos ant gaminio.

## Warunki gwarancji

Produkt objęty jest 24 – miesięczną gwarancją, począwszy od daty zakupu przez klienta. Gwarancja jest ograniczona tylko do przedstawionych dalej warunków. Gwarancja obejmuje tylko produkty zakupione w Polsce i jest ważna tylko na terytorium Rzeczypospolitej Polskiej. Gwarancja obejmuje tylko produkty funkcjonujące w warunkach gospodarstwa domowego (nie dotyczy produktów oznaczonych jako „Professional”). Zgłoszenia gwarancyjne można dokonać w autoryzowanej sieci serwisowej lub w sklepie, gdzie produkt został nabyty. Użytkownik jest zobowiązany zgłosić usterkę niezwłocznie po jej wykryciu, a najpóźniej w ostatnim dniu obowiązywania okresu gwarancyjnego. Użytkownik jest zobowiązany do przedstawienia i udokumentowania usterki. Tylko kompletne i czyste produkty (zgodnie ze standardami higienicznymi) będą przyjmowane do naprawy. Usterki będą usuwane przez autoryzowany punkt serwisowy w możliwie krótkim terminie, nieprzekraczającym 14 dni roboczych. Okres gwarancji przedłuża się o czas pobytu sprzętu w serwisie. Klient może ubiegać się o wymianę sprzętu na wolny od wad, jeżeli punkt serwisowy stwierdzi na piśmie, że usunięcie wady jest niemożliwe. Aby produkt mógł być przyjęty przez serwis, użytkownik jest zobowiązany dostarczyć oryginały: dowodu zakupu (paragon lub faktura), podbitej i wypełnionej karty gwarancyjnej, certyfikatu instalacji (niektóre produkty).

### Gwarancja zostaje unieważniona, jeśli:

■ usterka była widoczna w chwili zakupu, ■ usterka wynika ze zwykłego użytkowania i zużycia, ■ produkt został uszkodzony z powodu złej instalacji, niezastosowania się do instrukcji obsługi lub użytkowania niezgodnego z przeznaczeniem, ■ produkt został uszkodzony z powodu złej konserwacji lub jej braku, ■ produkt został uszkodzony z powodu zanieczyszczenia, wypadku lub okoliczności o charakterze sił wyższych (powódź, pożar, wojny, zamieszki itp.) ■ produkt wykazuje złe działanie z powodu słabego sygnału, zakłóceń elektromagnetycznych itp., ■ produkt został uszkodzony mechanicznie (np. wylamany przycisk, upadek, itp.), ■ produkt został uszkodzony z powodu użycia niewłaściwych materiałów eksploatacyjnych, nośników, akcesoriów, baterii, akumulatorów itp. lub z powodu użytkowania w złych warunkach (temperatura, wilgotność, wstrząsy itp.), ■ produkt był naprawiany lub modyfikowany przez nieautoryzowany personel, ■ użytkownik nie jest w stanie udowodnić zakupu (nieczytelny paragon lub faktura), ■ dane na przedstawionych dokumentach są inne niż na urządzeniu, ■ produkt nie może być zidentyfikowany ze względu na uszkodzenie numeru seryjnego lub plomby gwarancyjnej.

Uab „Senuku Prekybos Centras“ Garantinis Servisas  
Jonavos G. 62, Lt-44192,  
Kaunas, Lithuania  
Tel.: +370 37 212 146  
Tex.: +370 37 212 165  
garrem@senukai.lt  
www.senukai.lt

Fast Poland, Sp. z o.o.  
Sokołowska 10  
PL 05-090 Puchały  
Poland  
Tel.: +48 500 116 777  
Fax: +48 22 869 96 13  
fastpoland@fastpoland.pl  
www.fastpoland.pl



**20V** LITHION  
**FASTPOWER**



 **FIELDMANN**<sup>®</sup>  
Home & Garden Performance